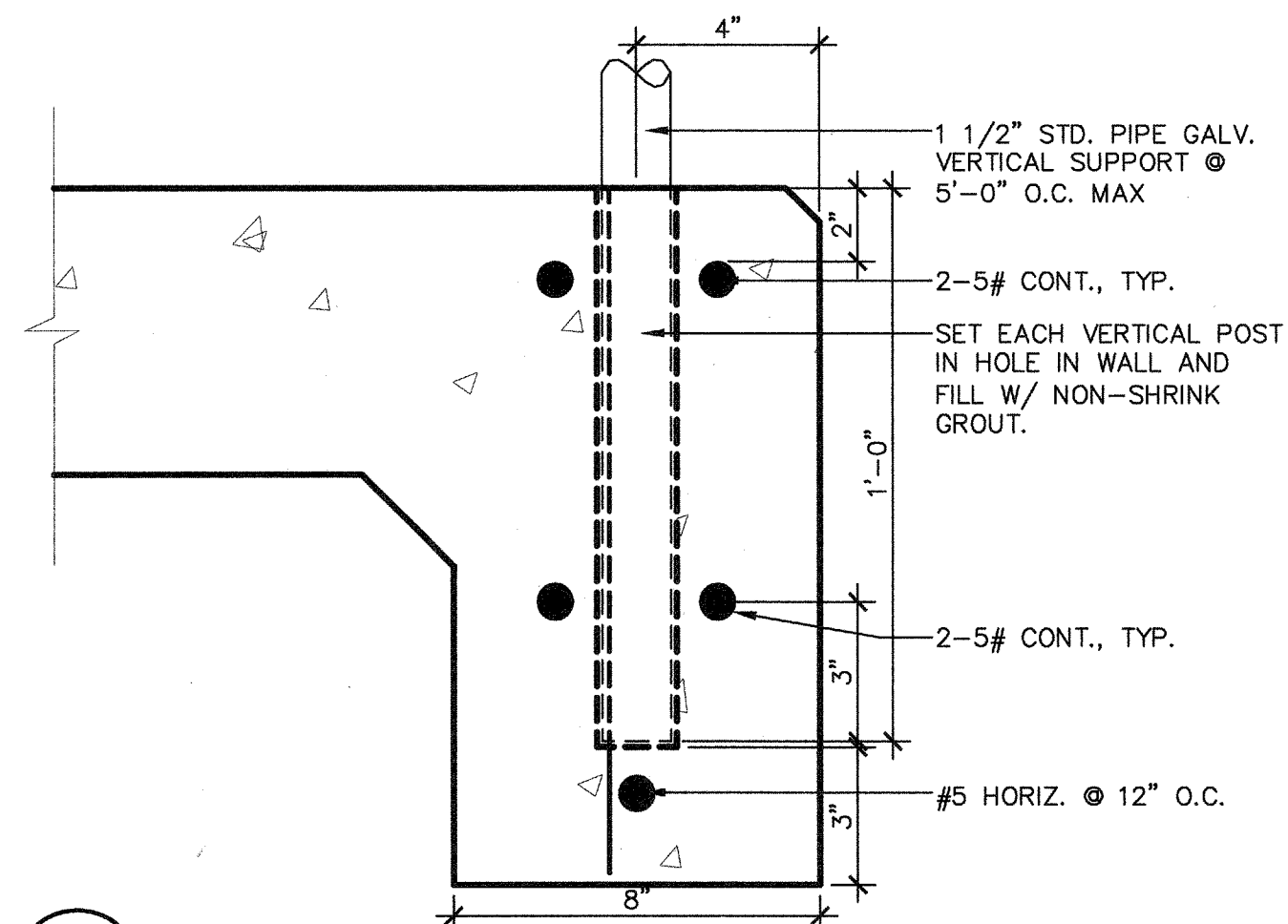
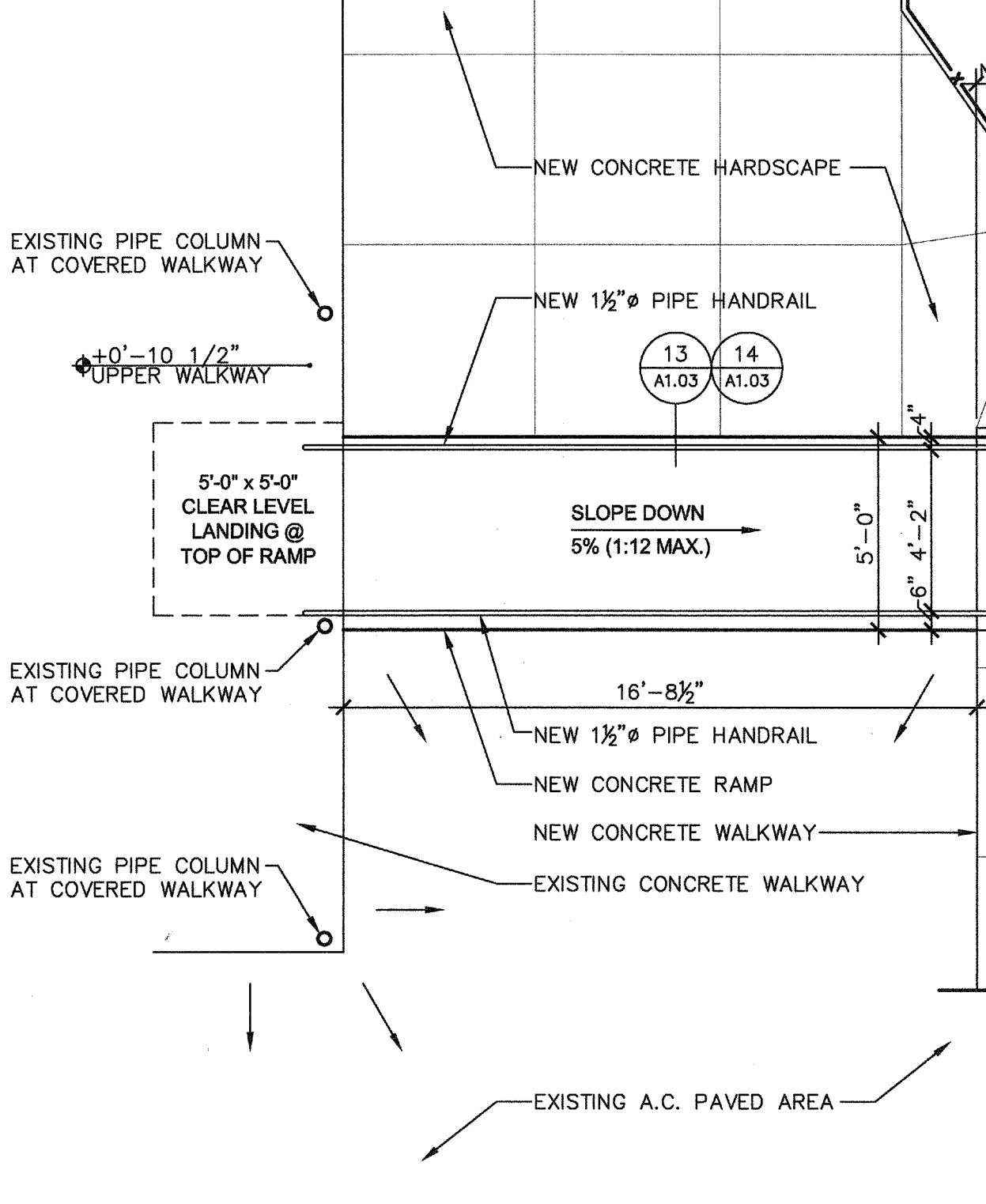
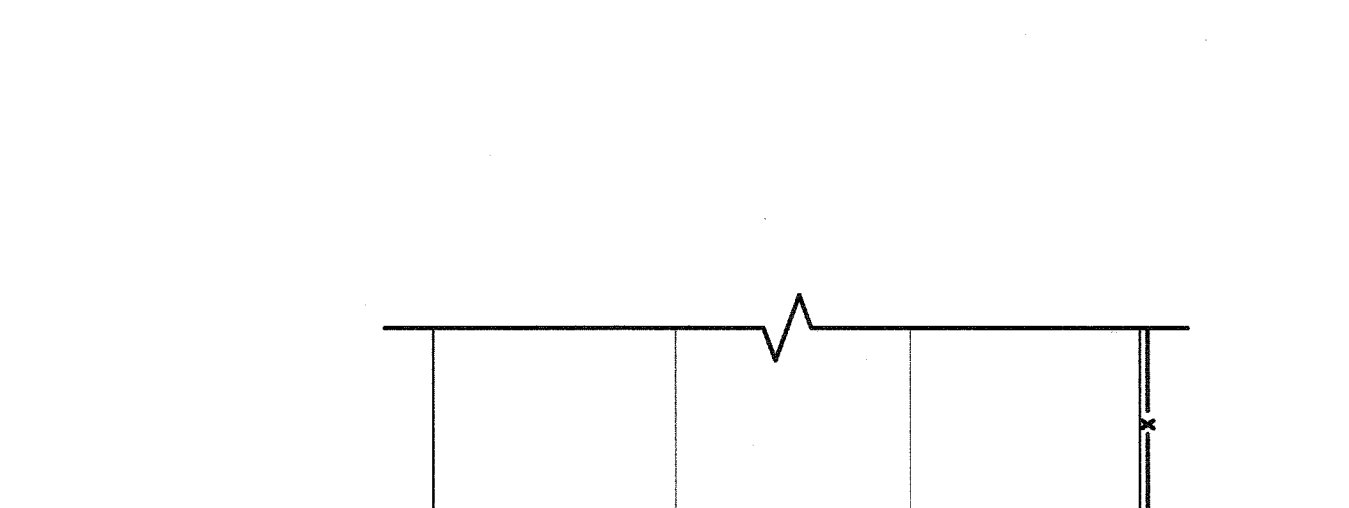


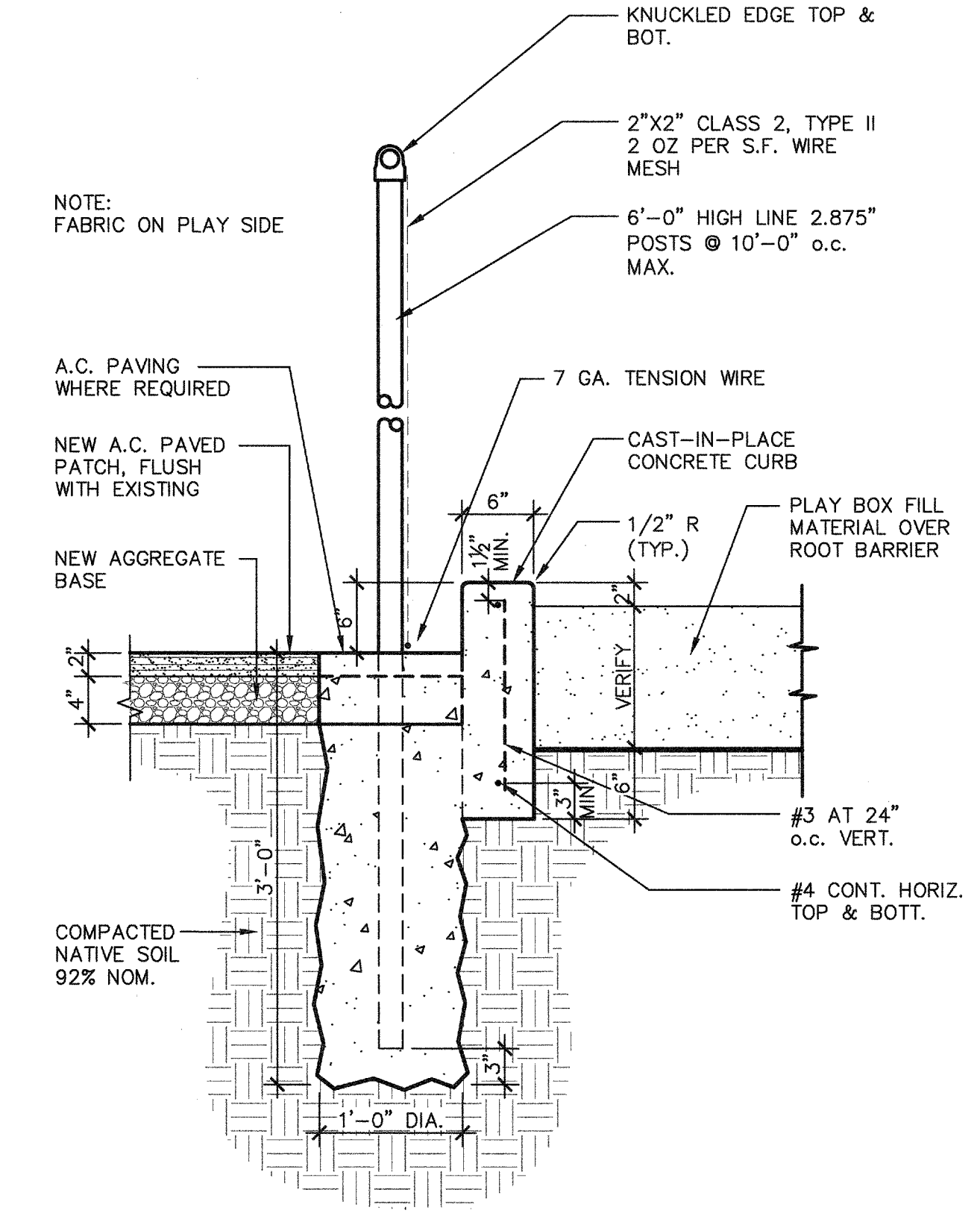
13 HANDRAIL
A1.03 AD50-A SCALE: 1" = 1'-0"



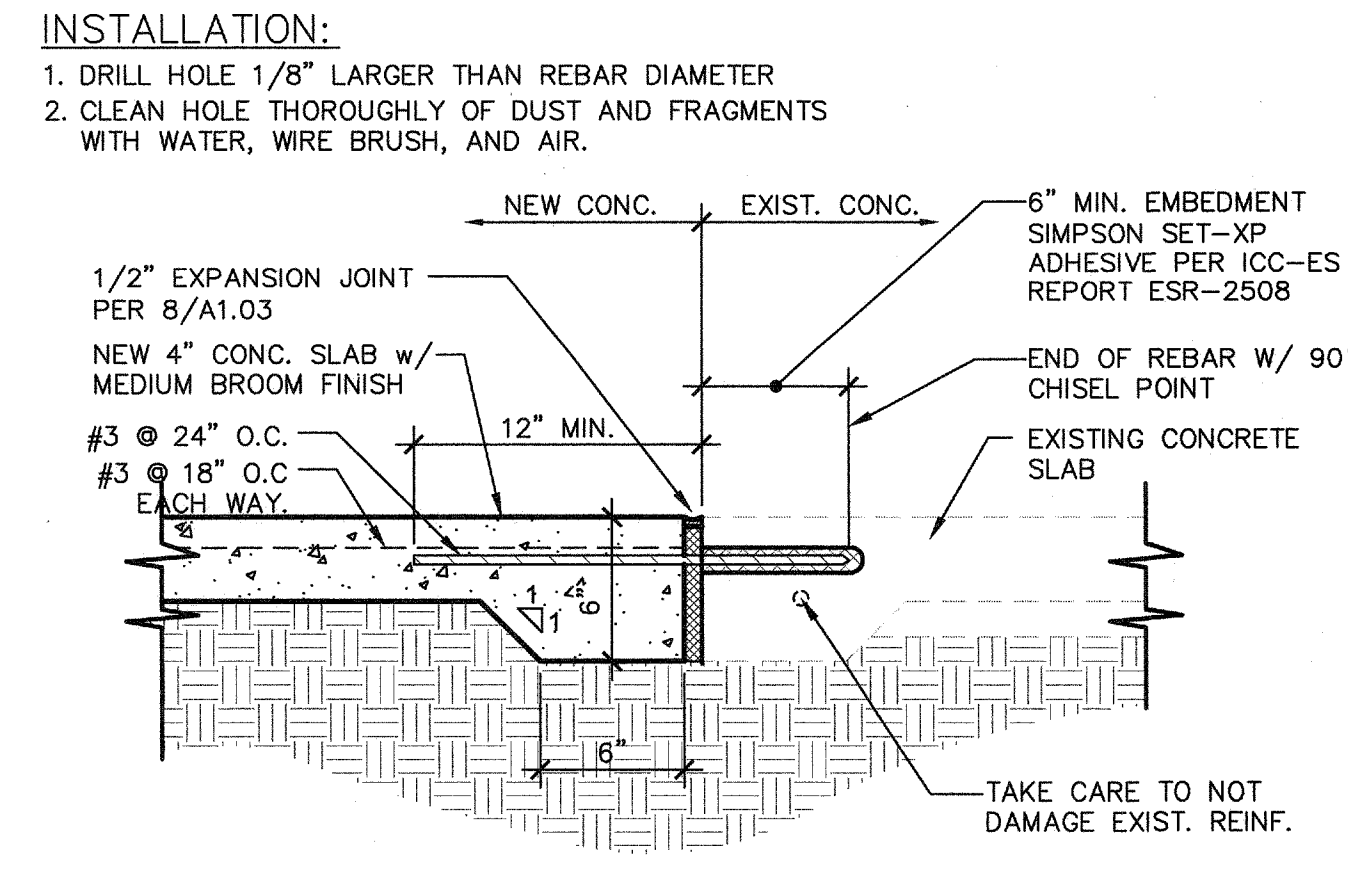
14 HANDRAIL SUPPORT
A1.03 AD48-A SCALE: 3" = 1'-0"



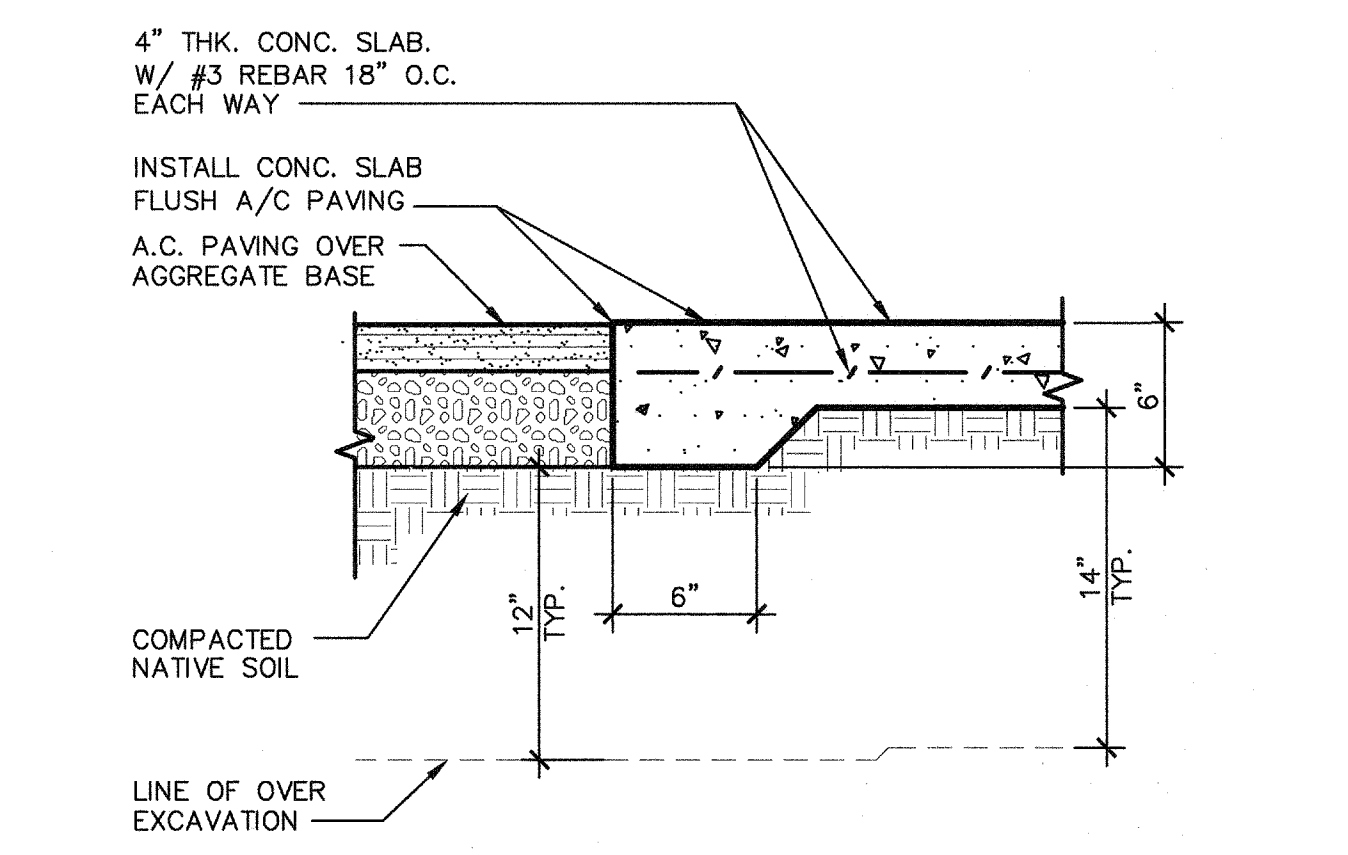
16 RAMP DOWN TO CONC. WALKWAY AT PORTABLES
A1.03 ADS110-03 SCALE: 1/4" = 1'-0"



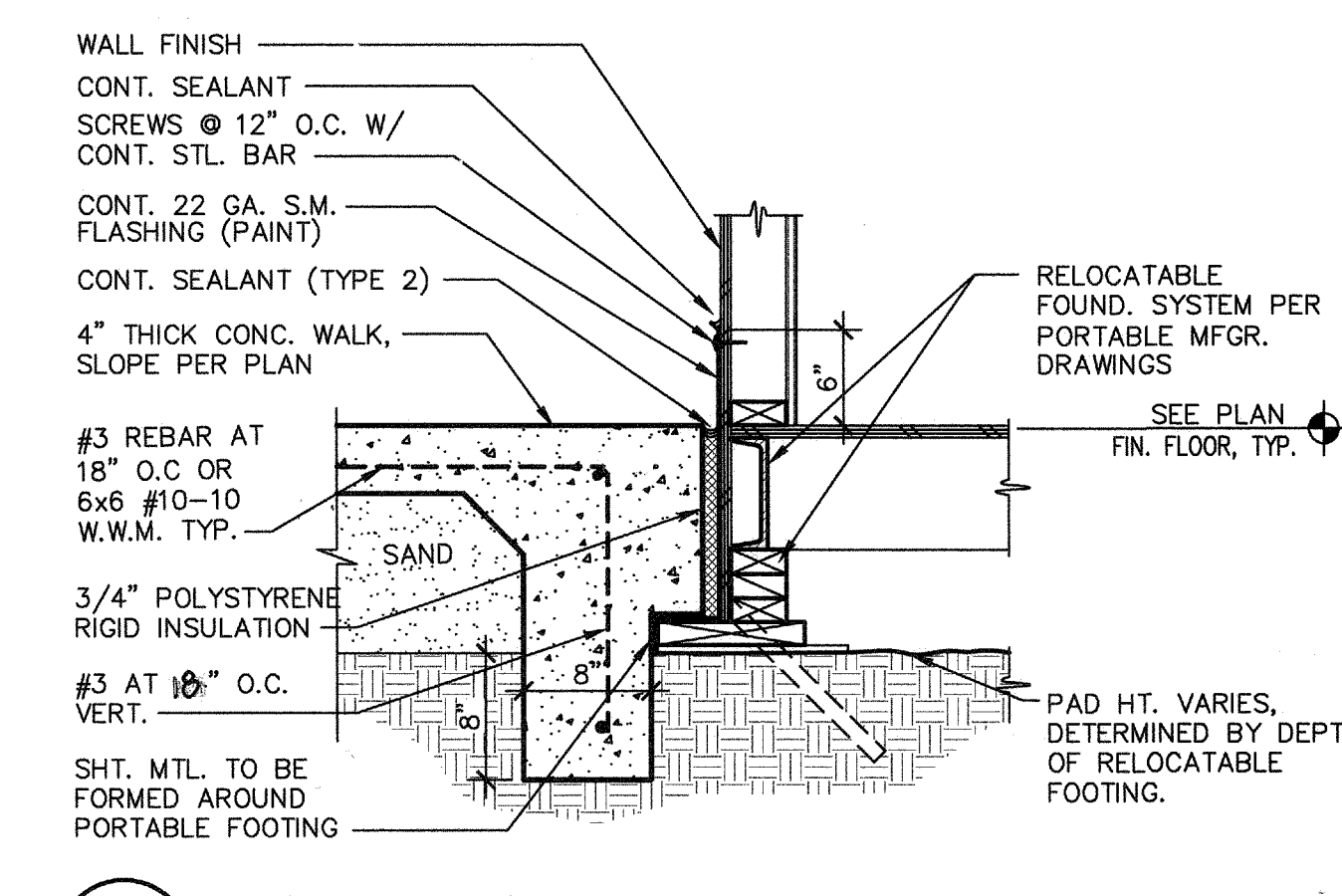
10 CONCRETE CURB AND FENCE AT PLAY BOX
A1.03 ADS110-02 SCALE: 1" = 1'-0"



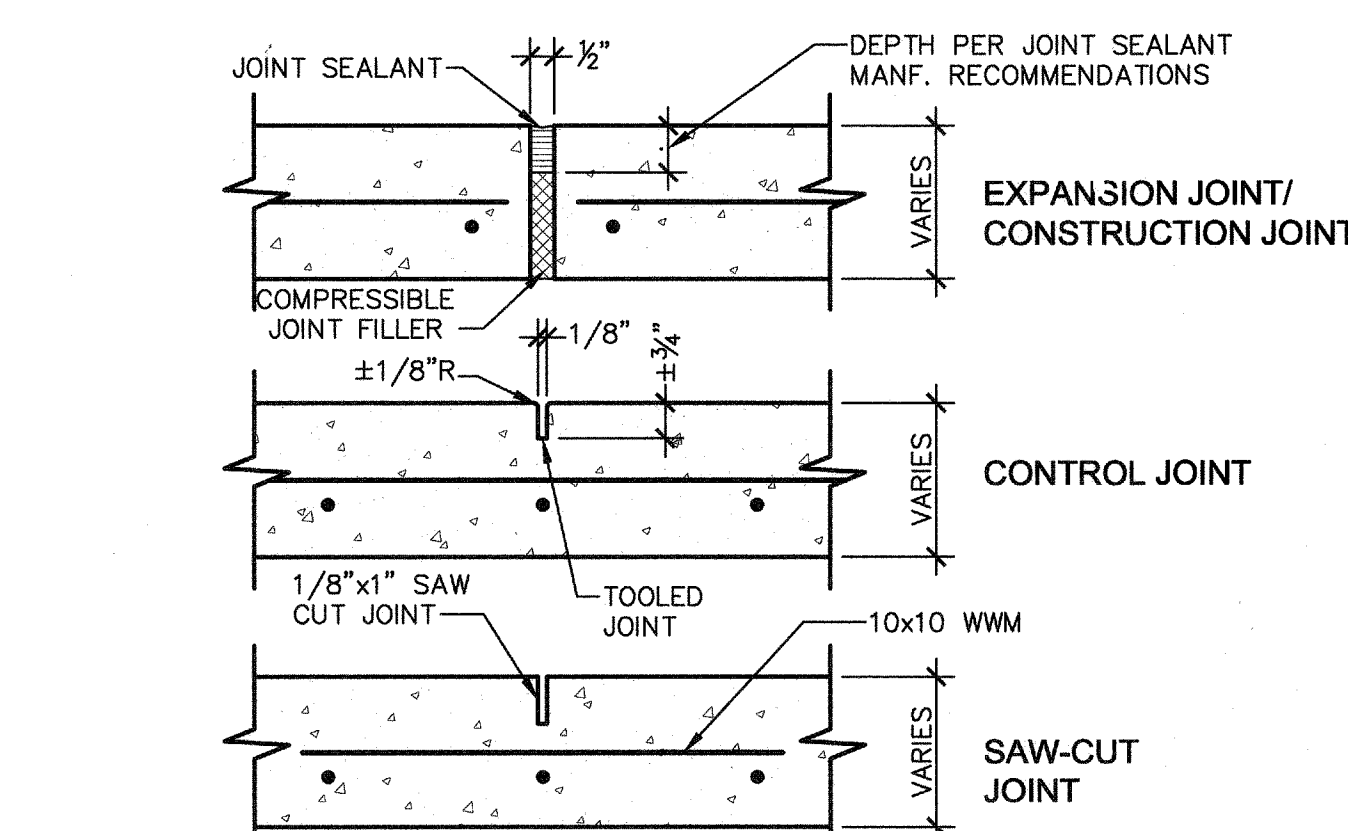
5 (N) CONC. WALK @ (E) CONC. WALK
A1.03 ADS100-05 SCALE: 1 1/2" = 1'-0"



6 CONCRETE SLAB AT PAVING
A1.03 ADS100-03 SCALE: 1 1/2" = 1'-0"

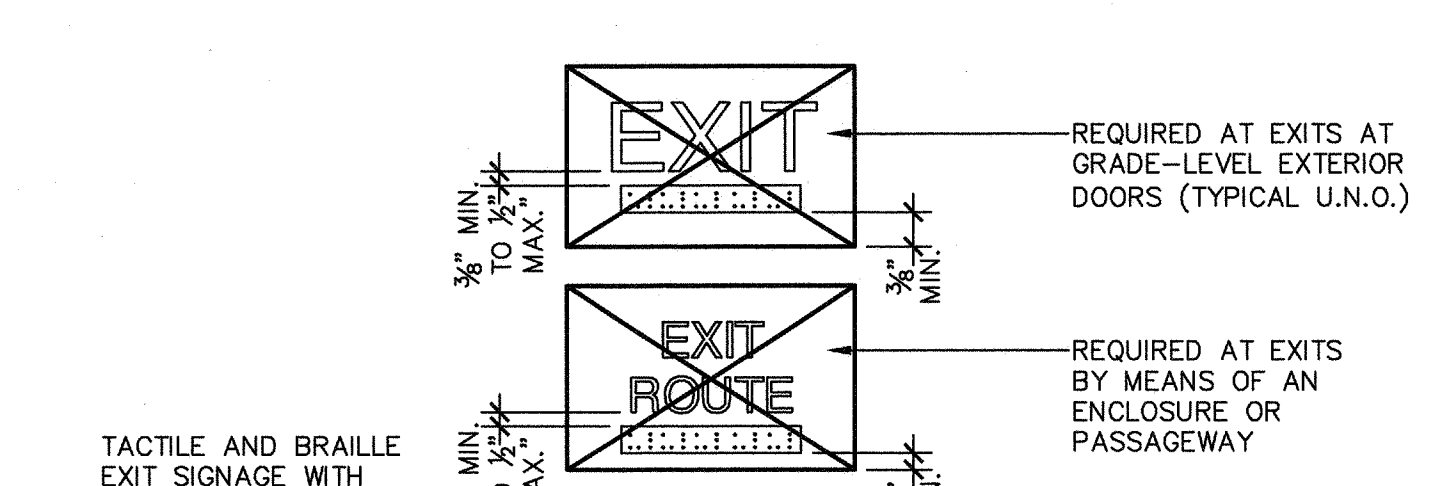


7 TYPICAL FOOTING @ WALK
A1.03 ADP100-02 SCALE: 1" = 1'-0"

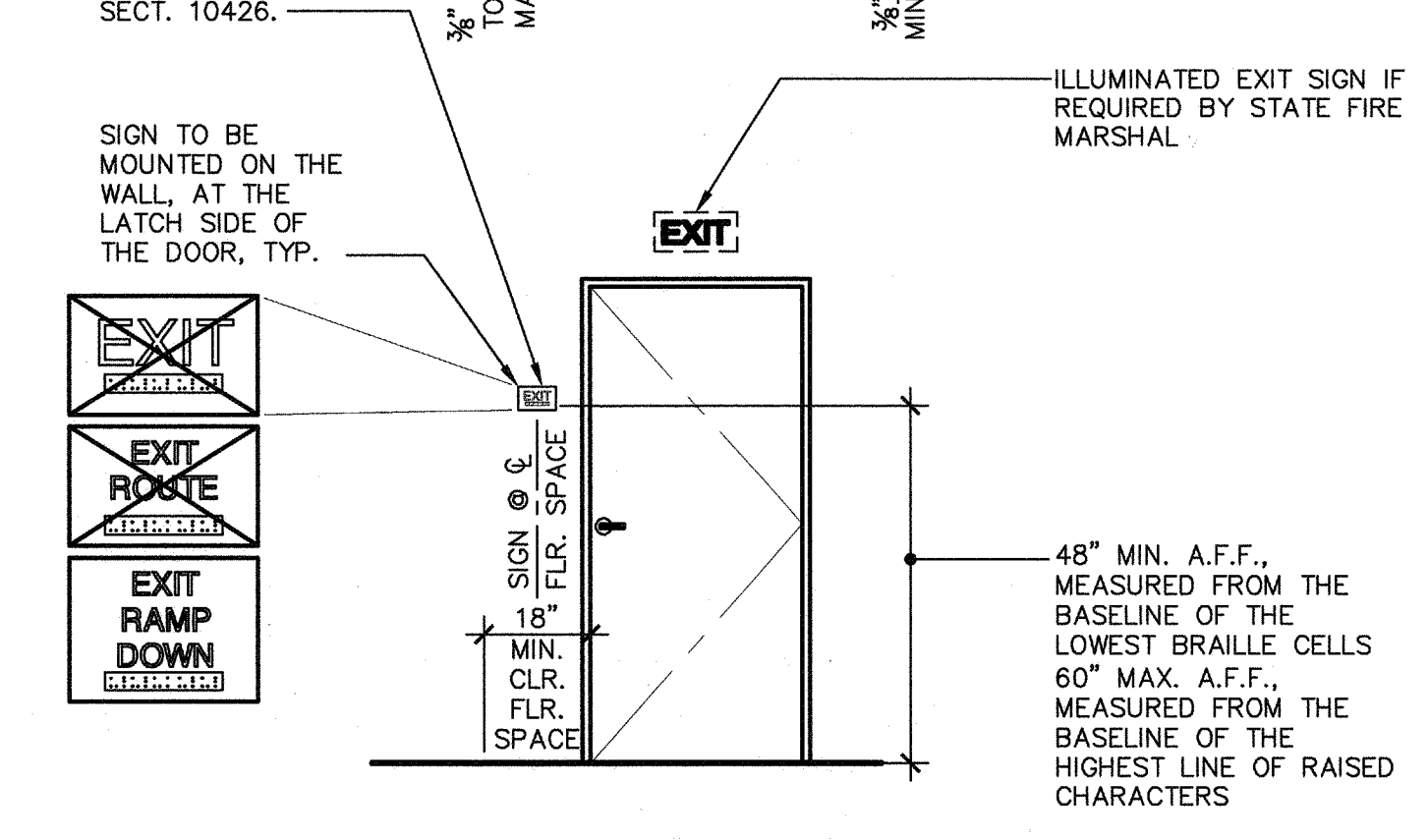


8 CONCRETE JOINTS
A1.03 ADS110-01 SCALE: 3" = 1'-0"

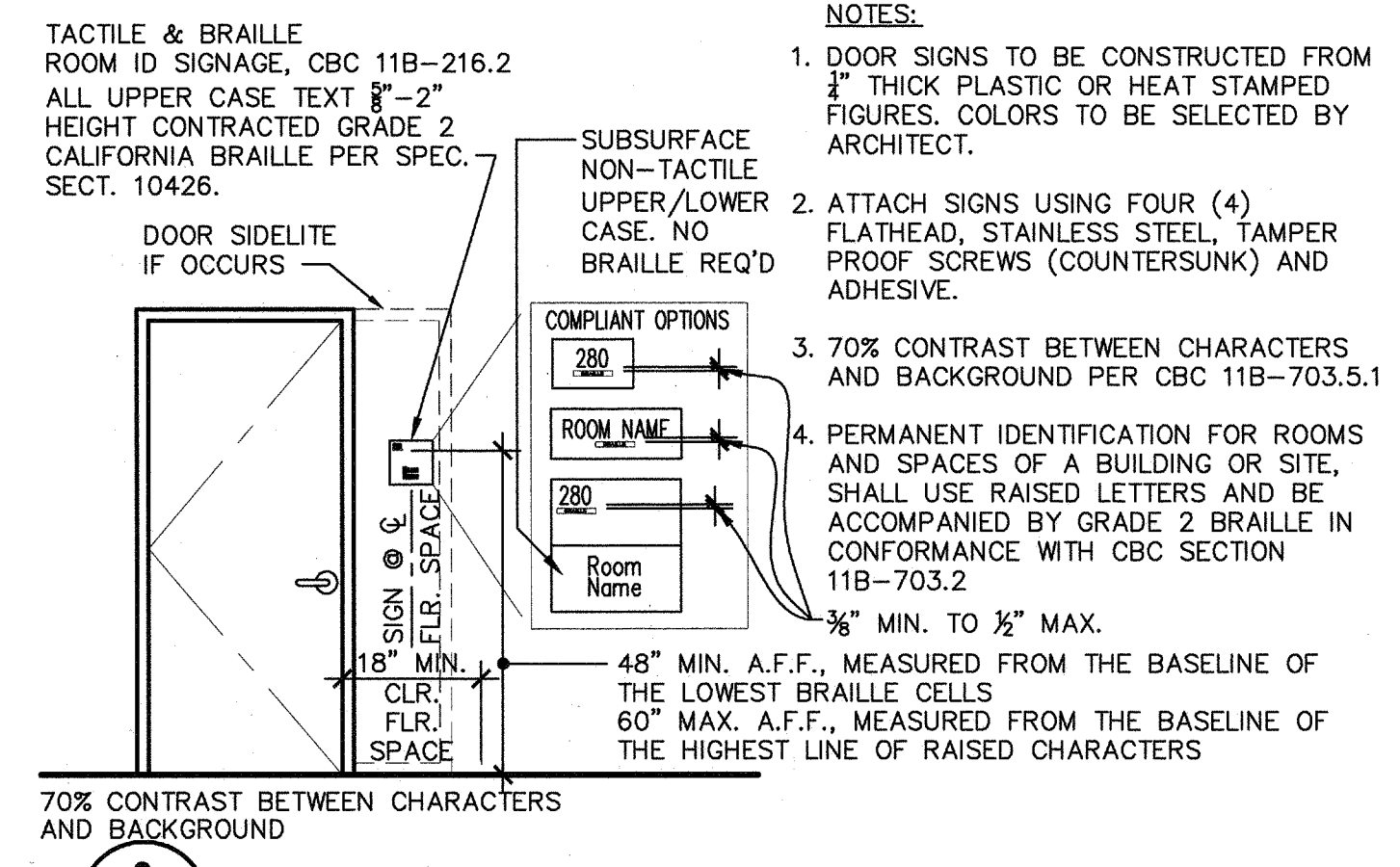
INSTALLATION:
1. DRILL HOLE 1/8" LARGER THAN REBAR DIAMETER
2. CLEAN HOLE THOROUGHLY OF DUST AND FRAGMENTS WITH WATER, WIRE BRUSH, AND AIR.



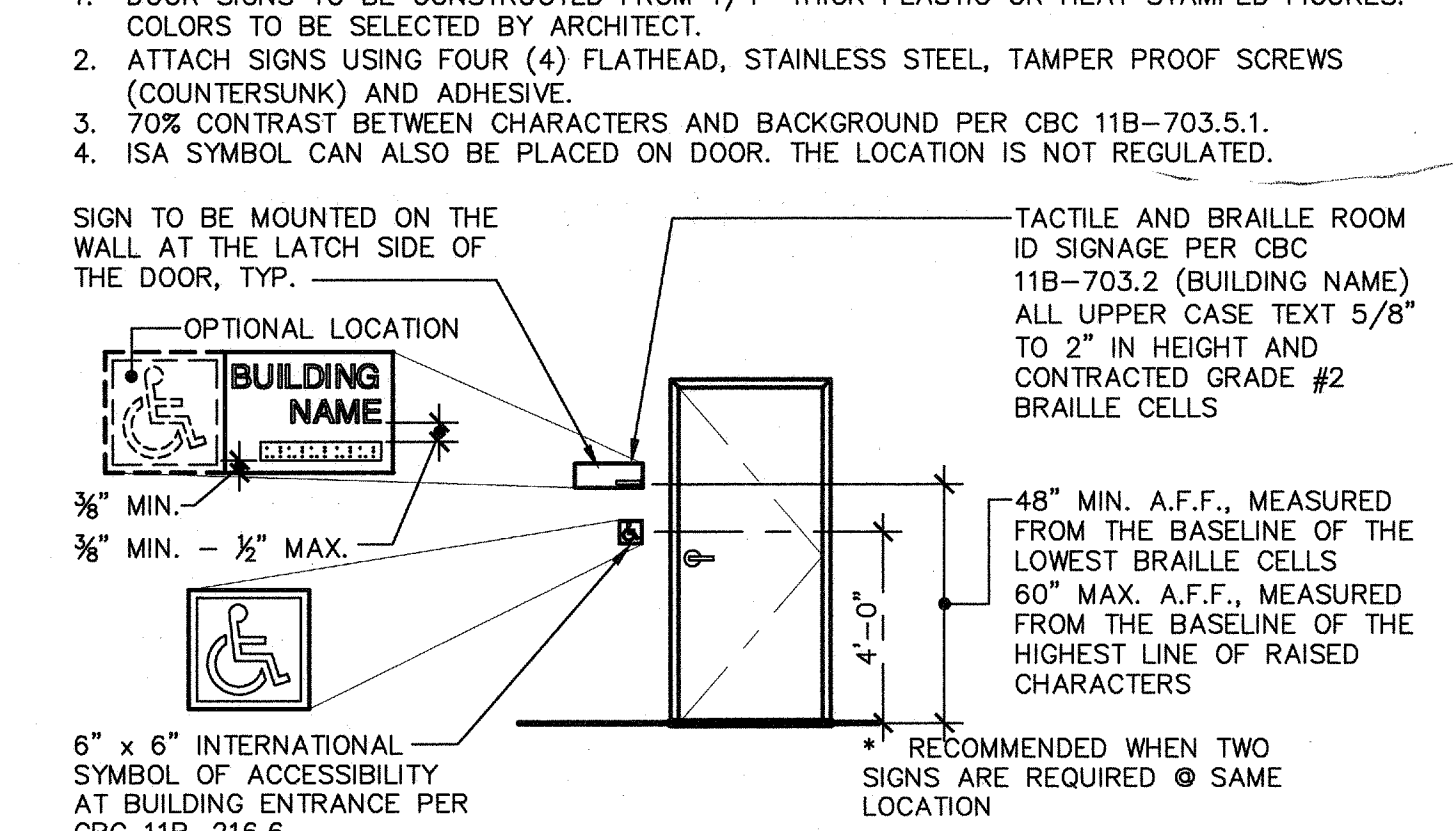
2 TYPICAL EXTERIOR DOOR SIGNAGE
A1.03 ADX200-01 SCALE: 3/8" = 1'-0"



3 ROOM ID SIGNAGE
A1.03 ADX100-01 SCALE: NO SCALE



4 BUILDING ENTRANCE/INT'L.S.A. SIGNAGE
A1.03 ADA100-01 SCALE: 1/4" = 1'-0"



6 CONCRETE SLAB AT PAVING
A1.03 ADS100-03 SCALE: 1 1/2" = 1'-0"

Ownership of Documents
This document, the ideas and designs incorporated herein, as an instrument of Professional Service is the property of Integrated Designs by SOMAM Inc. and is not to be used, in whole or in part for any other project without written authorization.
© COPYRIGHT 2015

integrated designs by SOMAM, Inc.
ARCHITECTURE - INTERIOR DESIGN - CONSTRUCTION MANAGEMENT
6011 N. Fremo, Suite 130 - Fresno, California 93710
Phone (559) 439-0087 Fax (559) 439-0087 E-Mail: design@somam.com
www.integrateddesigns.com

SITE DETAILS

4 RELOCATABLE CLASSROOMS
MOUNT VERNON ELEMENTARY SCHOOL
BAKERSFIELD CITY SCHOOL DISTRICT
2161 POTOMAC AVE., BAKERSFIELD, CA 93307

Project Name & Address: 4 RELOCATABLE CLASSROOMS, MOUNT VERNON ELEMENTARY SCHOOL, BAKERSFIELD CITY SCHOOL DISTRICT, 2161 POTOMAC AVE., BAKERSFIELD, CA 93307

Sheet Title: SITE DETAILS

Issue Date: 10/31/14
Date: 07/26/16
Designer: [Signature]
DR: [Signature]
PC: [Signature]

Agency Approval Stamp:
FILE #15-6
IDENTIFICATION STAMP
DIV. OF THE STATE ARCHITECT
OFFICE OF REGULATION SERVICES
03-117168
AC: [Signature] FL: [Signature] SS: [Signature] TN: [Signature]
DATE: AUG 04 2016
TRACKING #:

Stamp(s):
No. C 28956
STATE OF CALIFORNIA

Job No.: **5125**

Sheet No.: **A1.03**

Release: RICHARD DELLANINI