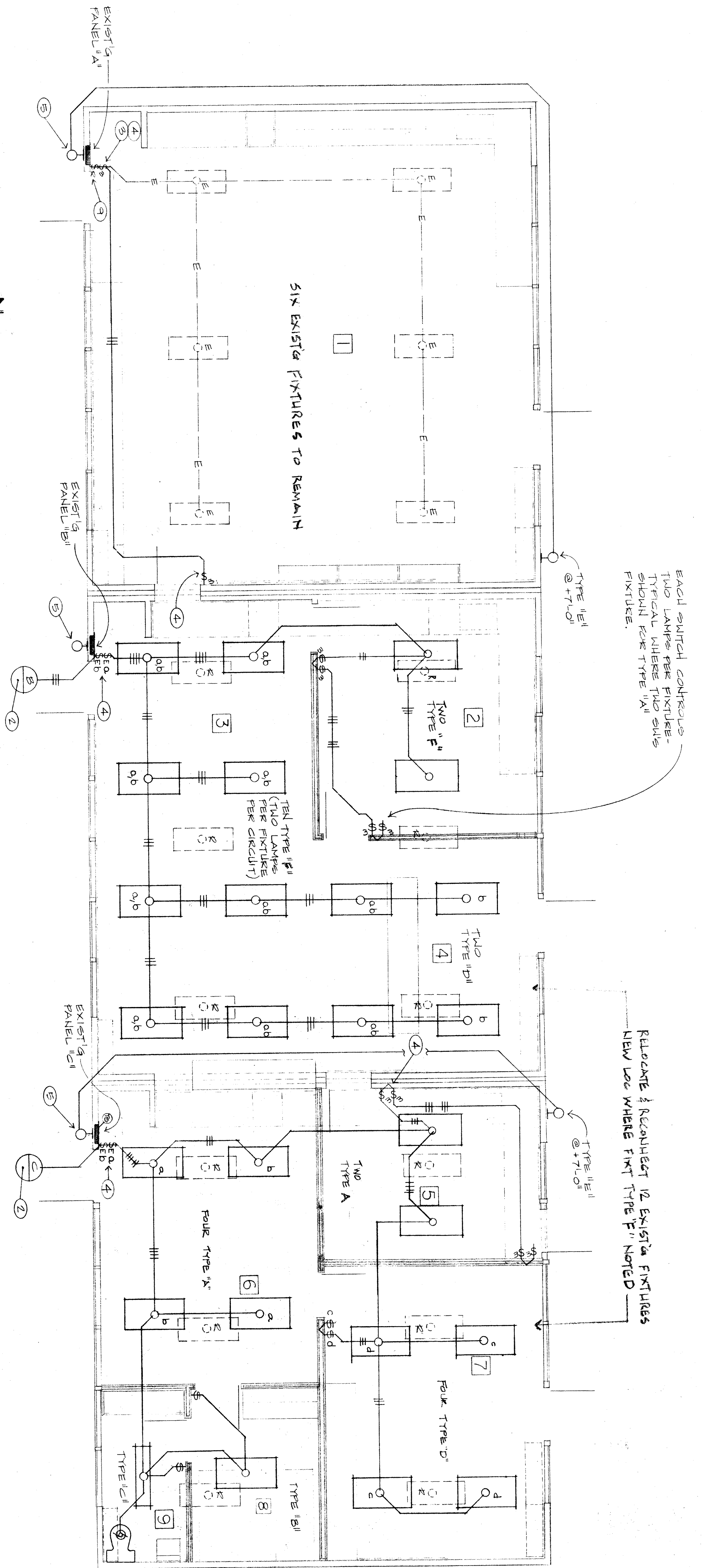
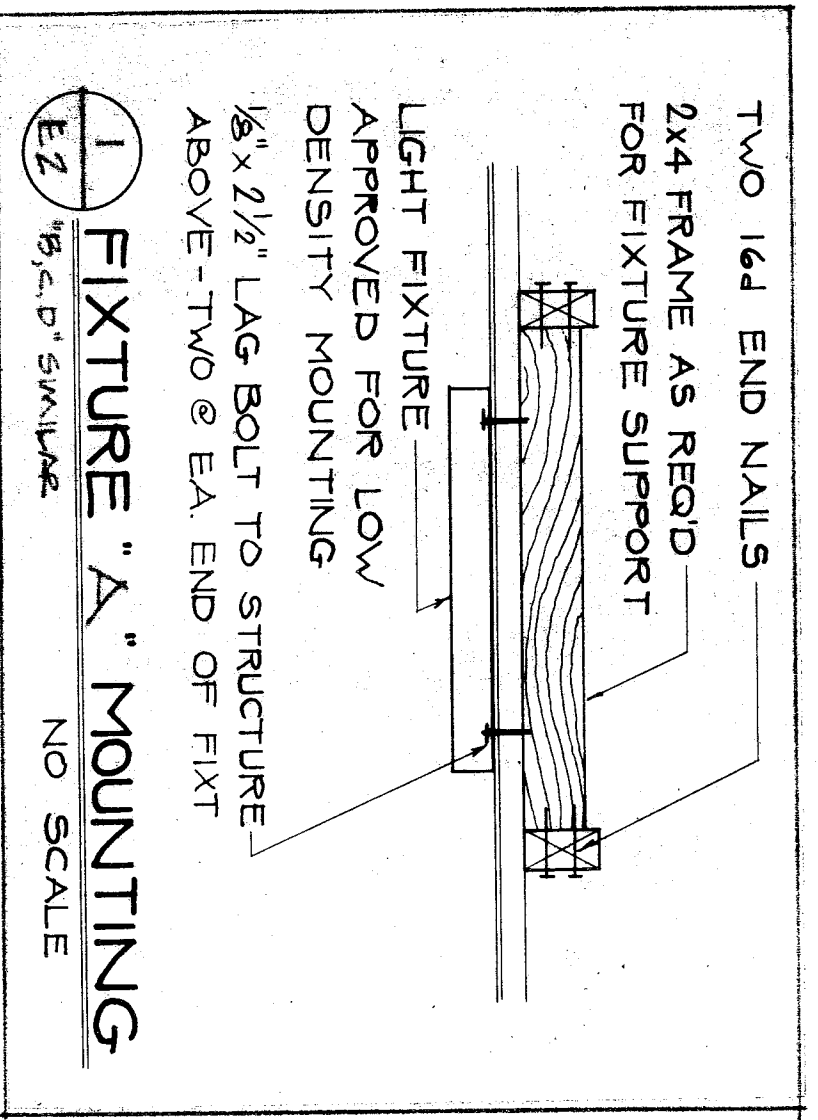


TYPE	WATTS	LAMPS	MANUFACTURER CATALOG NO	Mount	Notes
A	200	4 F40	LITHONIA	SC4420A	SLIP
B	100	2 F40	LITHONIA	SC2420A	SLIP
C	50	1 F40	LITHONIA	CB1420A	SLIP
D	100	2 F40	LITHONIA	SC4420A	SLIP
E	40	1 H8	KEBALL	B100	MALL PHOTO CONTROL
F	200	4 F40	RELOCATE EXIST'G FIXTURE - REMAIN & CLEAN		

FIXTURE SCHEDULE

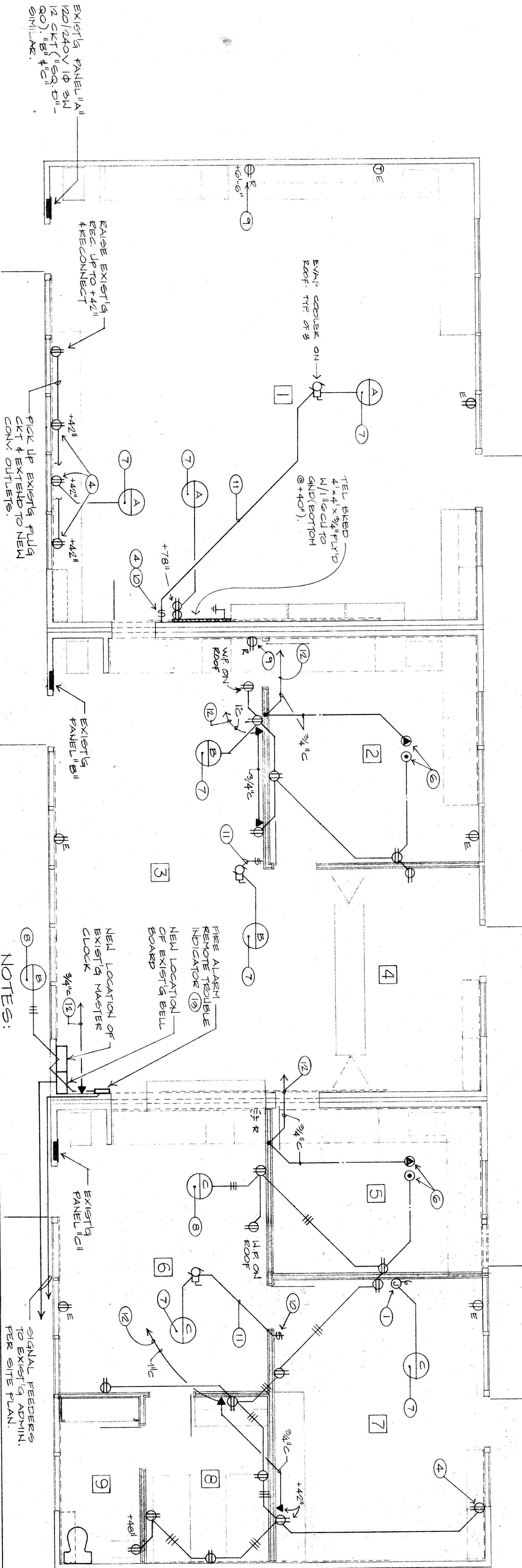
3 - CIRCUIT NUMBER
A - FIXTURE TYPE
50 - FIXTURE WATTAGE

NOTES: ALL FLUORESCENT LAMPS TO BE LATTICE-TYPE - LAMP LIGHTS
ALL FLUORESCENT BALLASTS TO BE MARK III - BUREAU SHAW-WESS



LIGHTING PLAN

SCALE: 1/4" = 1'-0"



POWER & SIGNALS PLAN

SCALE: 1/4" = 1'-0"

- NOTES:**
1. CONNECT WALL HEATER - VERIFY LOCATION.
 2. CONNECT TO EXIST'G LIGHT'G CIRCUIT & ONE EXIST'G SPACE 20'P BREAK.
 3. REPLACE EXIST'G SWITCH WITH NEW 3-WAY.
 4. FISH EXIST'G WIRE TO NEW OR EXIST'G DEVICE(S) IF NOT POSSIBLE TO FISH WIRE USE SURFACE CABLEWAY (UNDERNEATH DOOR OR BOUNDRY) & PULL TO MATCH ADJ. SURFACE.
 5. REPLACE EXIST'G FIXTURE WITH NEW TYPE "E". DISCONNECT FIXTURE FROM EXIST'G SWITCH & PULL NEW WIRE (IF NECESSARY) & PULL IN PANEL.
 6. VERIFY EXACT LOC OF FLOOR OUTLETS WITH ARCHITECT BEFORE BOUGHT-I.N.
 7. PROVIDE NEW 20'P BREAK IN EXIST'G PANEL (S.A.D).
 8. PROVIDE TWO NEW 20'P BREAKS IN EXIST'G PANEL.
 9. BLANK OFF EXIST'G BOX - RECONNECT ANY FEED-THRU CIRTS.
 10. SIGNAL FEEDERS TO EXIST'G ADMIN.
 11. 3/4" I.C. + CONTROL WIRING
 12. TO TEL W/REED IN ROOM#1 - CONTE. MAY HIS OPTION.
 13. S.E.T. #67A 9'-0" (NEW)



DONALD RENFRO AND ASSOCIATES
ARCHITECTURE PLANNING ENGINEERING
4800 STOCKDALE HIGHWAY SUITE 304 BAKERSFIELD CALIFORNIA 93309 TEL. (805) 327-7075

HORACE MANN SCHOOL
ALTERATIONS AND ADDITIONS FOR:
BAKERSFIELD CITY SCHOOL DISTRICT

REVISIONS
(12-1-81)

COMPUTER ENGINEERING, INC.
418 W. Main St. - 7th Fl. - Bakersfield, CA 93310
TELEPHONE: 327-1411