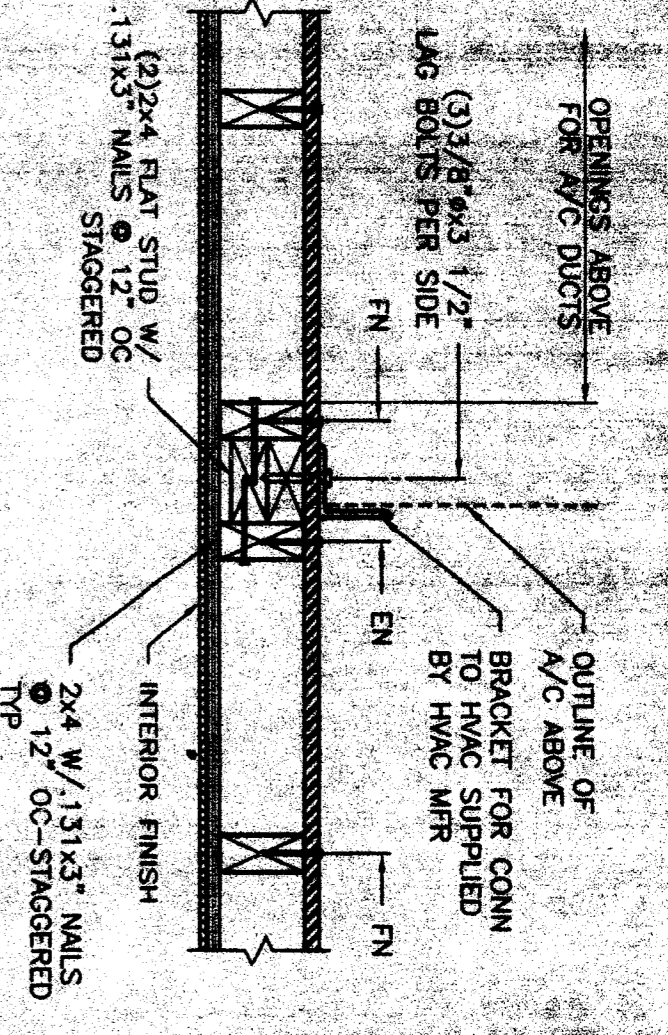
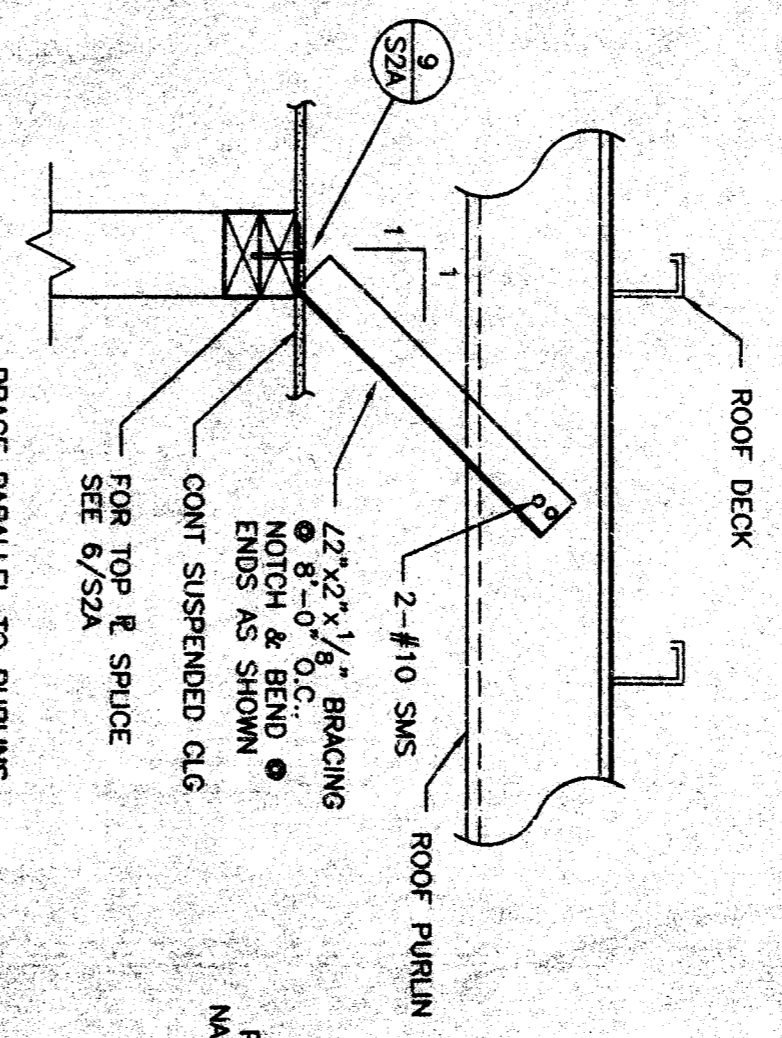


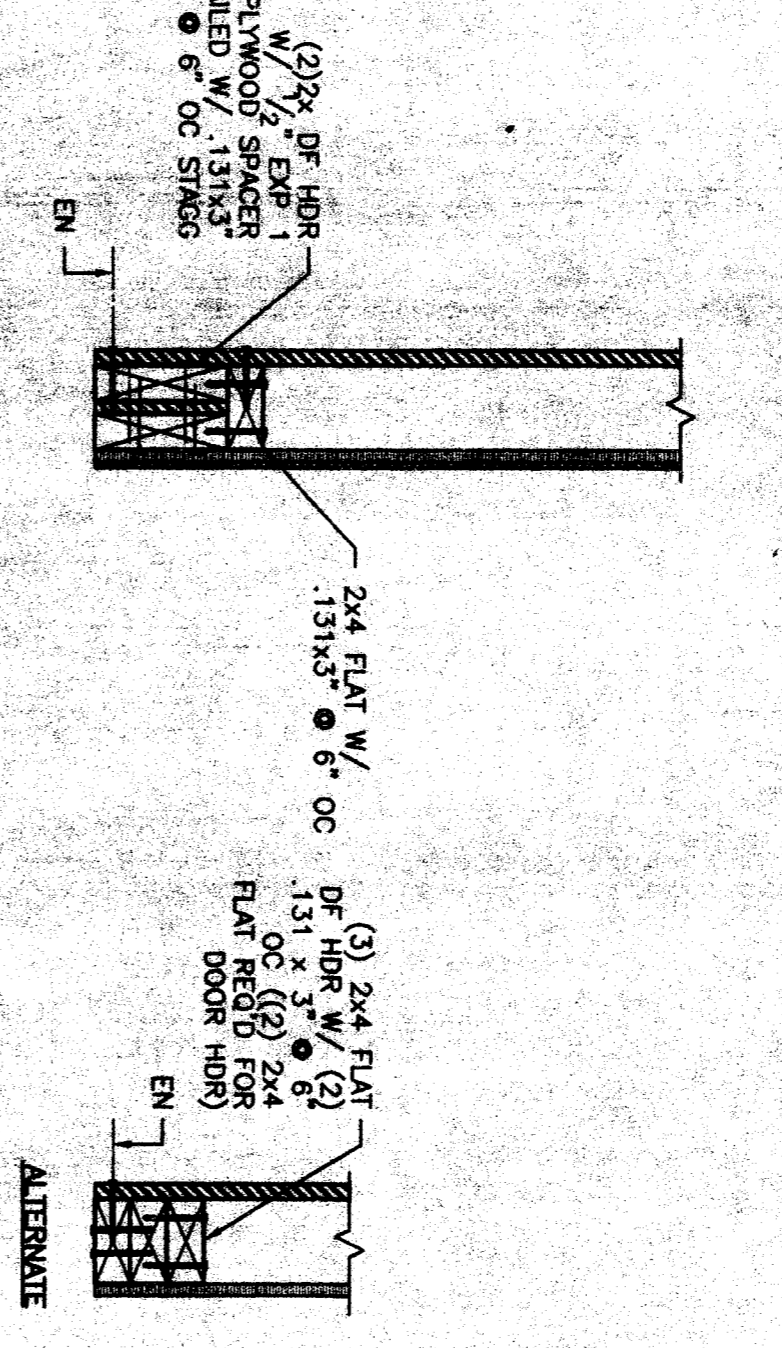
7 WALL FRAMING DETAIL
1 1/2" = 1'-0"



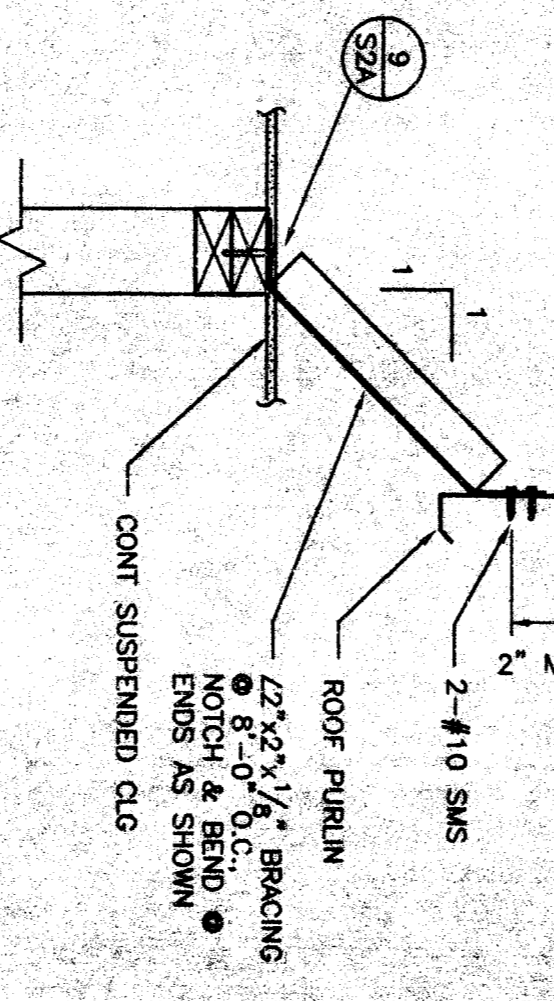
4 WALL FRAMING PLAN DETAIL
1 1/2" = 1'-0"



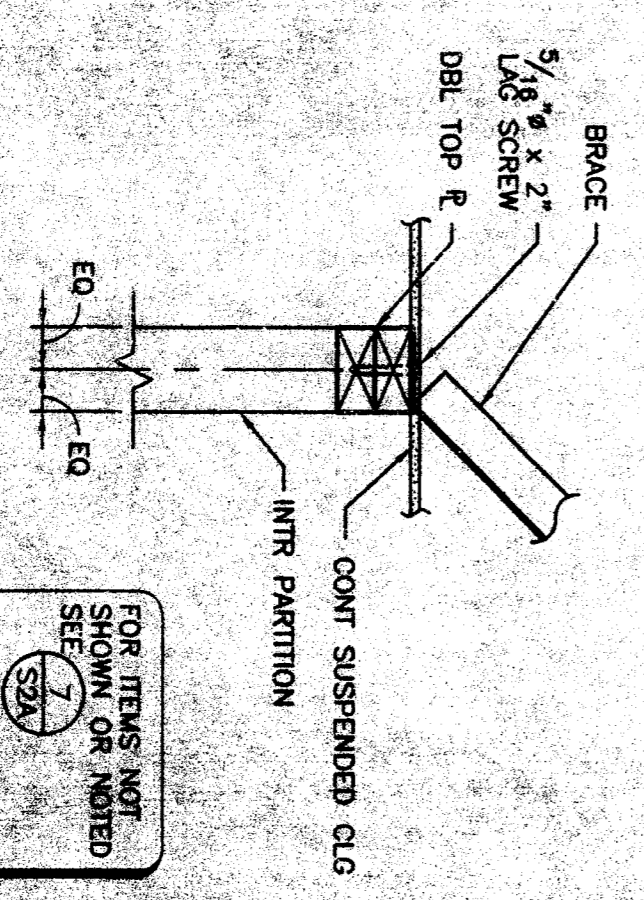
9 WALL FRAMING DETAIL
1 1/2" = 1'-0"



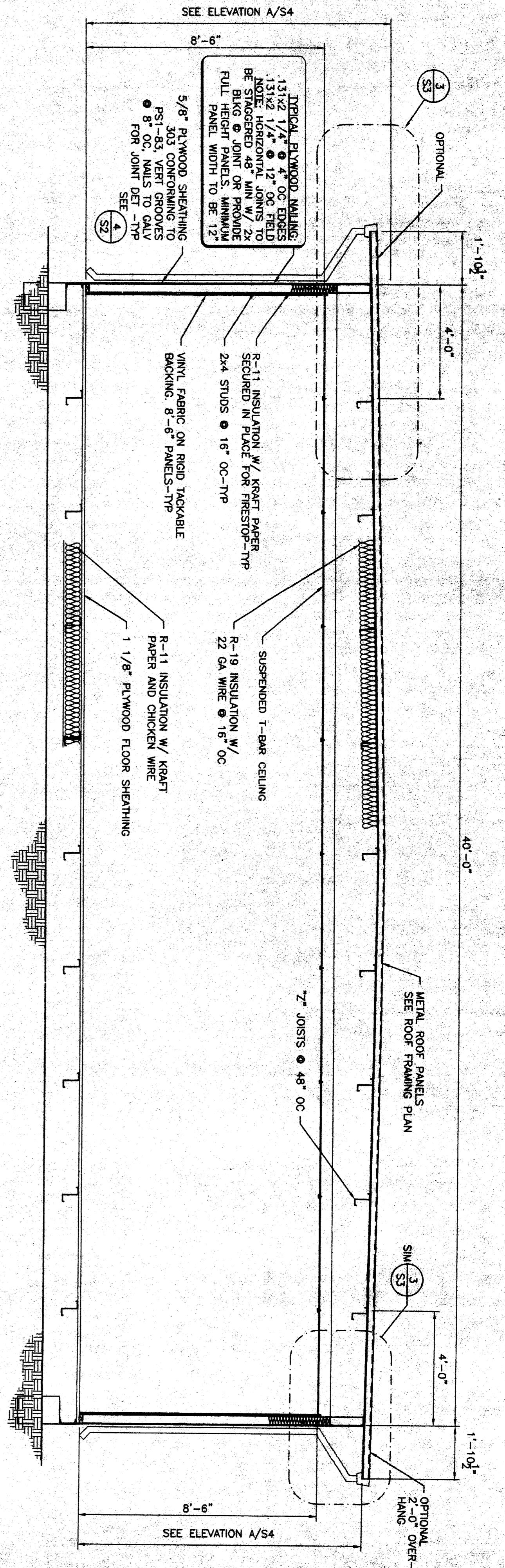
5 WALL FRAMING DETAIL
1 1/2" = 1'-0"



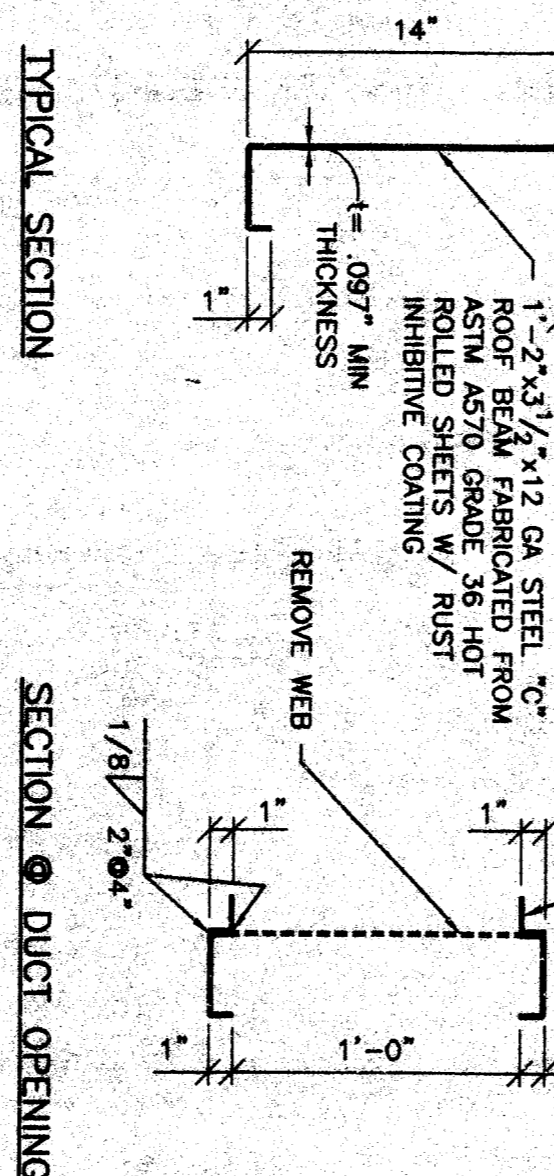
8 WALL FRAMING DETAIL
1 1/2" = 1'-0"



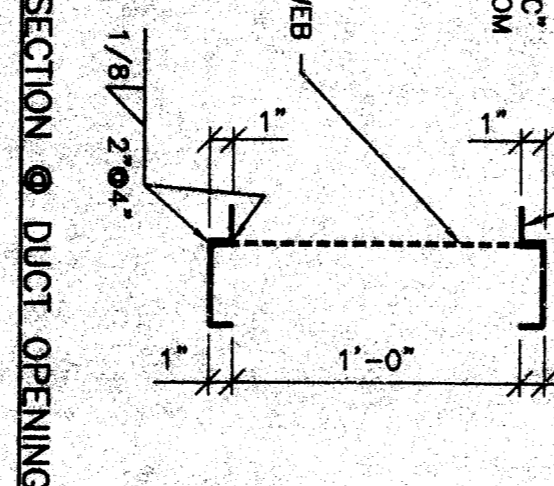
9 WALL FRAMING DETAIL
1 1/2" = 1'-0"



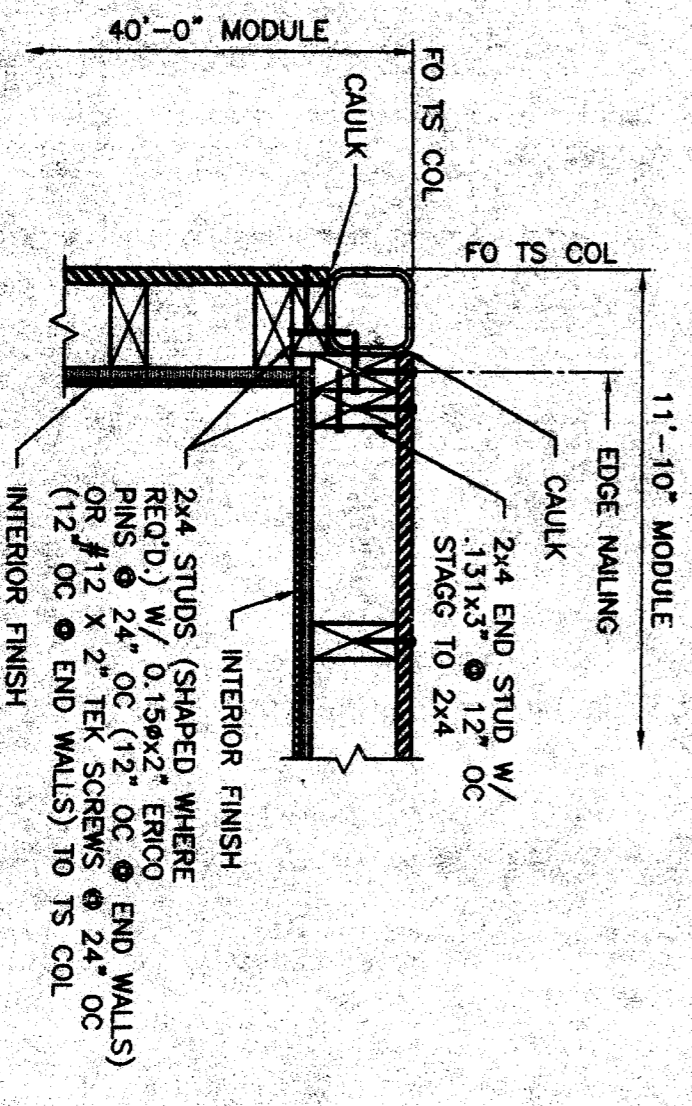
A TYPICAL LONGITUDINAL SECTION
3/8" = 1'-0"



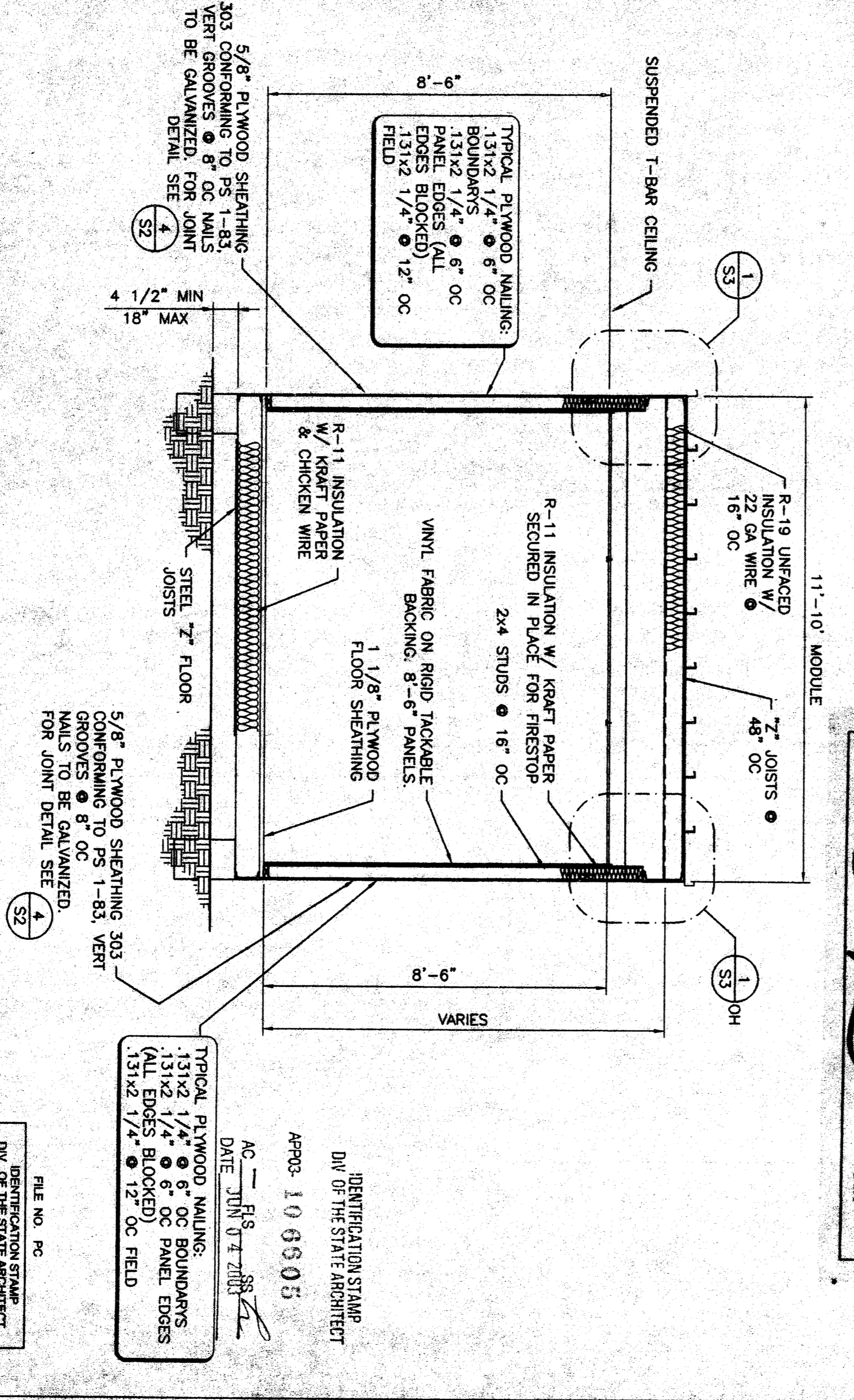
1 TYPICAL SECTION DETAIL
1 1/2" = 1'-0"



SECTION DUCT OPENING



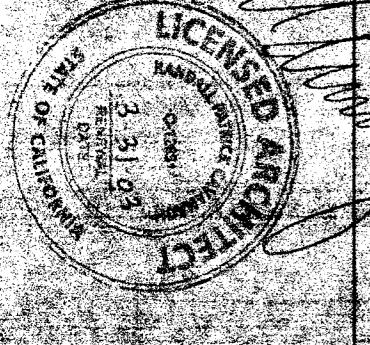
3 WALL FRAMING PLAN DETAIL
1 1/2" = 1'-0"



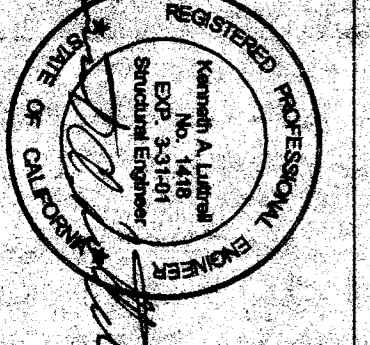
B TYPICAL TRANSVERSE SECTION
3/8" = 1'-0"

IDENTIFICATION STAMP
DIV. OF THE STATE ARCHITECT
APPRO. 10 03 03
DATE: 01 07 2003
AC: R.S. Z. 2003

IDENTIFICATION STAMP
DIV. OF THE STATE ARCHITECT
OFFICE OF REGULATION SERVICES
APPLICATION NO. 02-101741
DATE: MAR 28 2000



American Modular Systems
REGISTERED PROFESSIONAL ENGINEER
License No. 13310
State of California
REGISTERED PROFESSIONAL ARCHITECT
License No. 13310
State of California



American Modular Systems
REGISTERED PROFESSIONAL ENGINEER
License No. 13310
State of California
REGISTERED PROFESSIONAL ARCHITECT
License No. 13310
State of California

CUSTOMER: RESTROOM
BUILDING SECTIONS AND WALL DETAILS

NO.	DATE	DESCRIPTION	NO.	DATE	DESCRIPTION

REVISIONS

DATE: 15 DECEMBER 99
SCALE: AS NOTED
DRAWN BY: FMB
DESIGNED BY: MFB
CHECKED BY: KAL
SERIAL NO.

PROJECT NO. 99175
SHEET NO. S2A