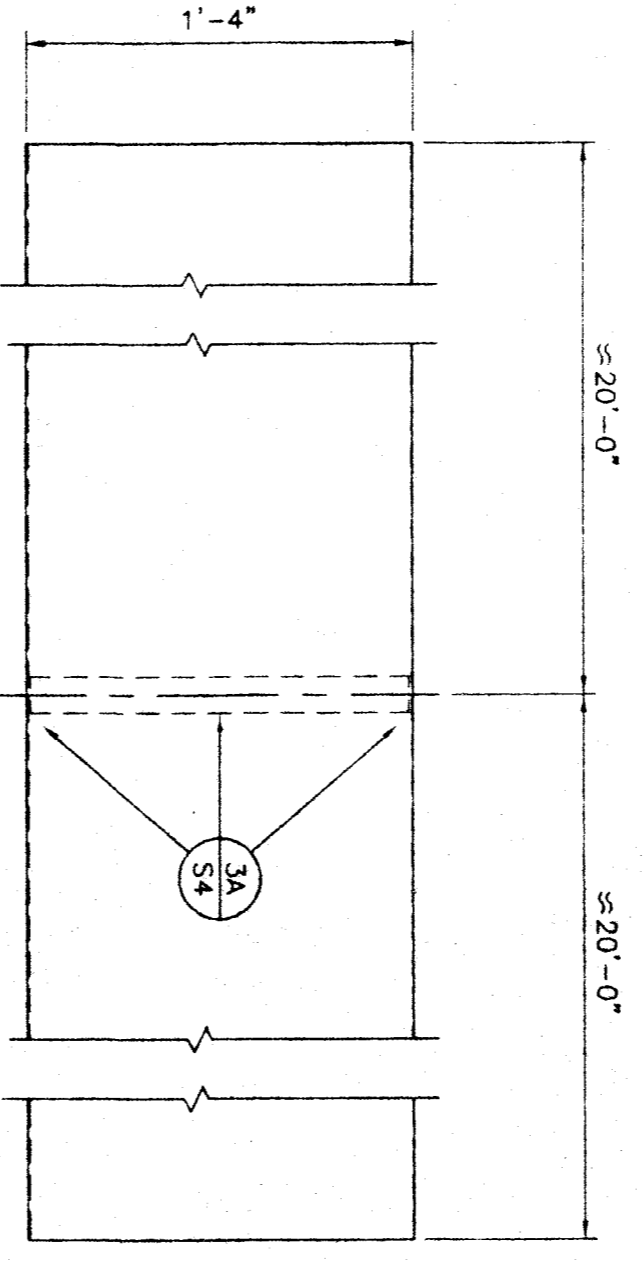
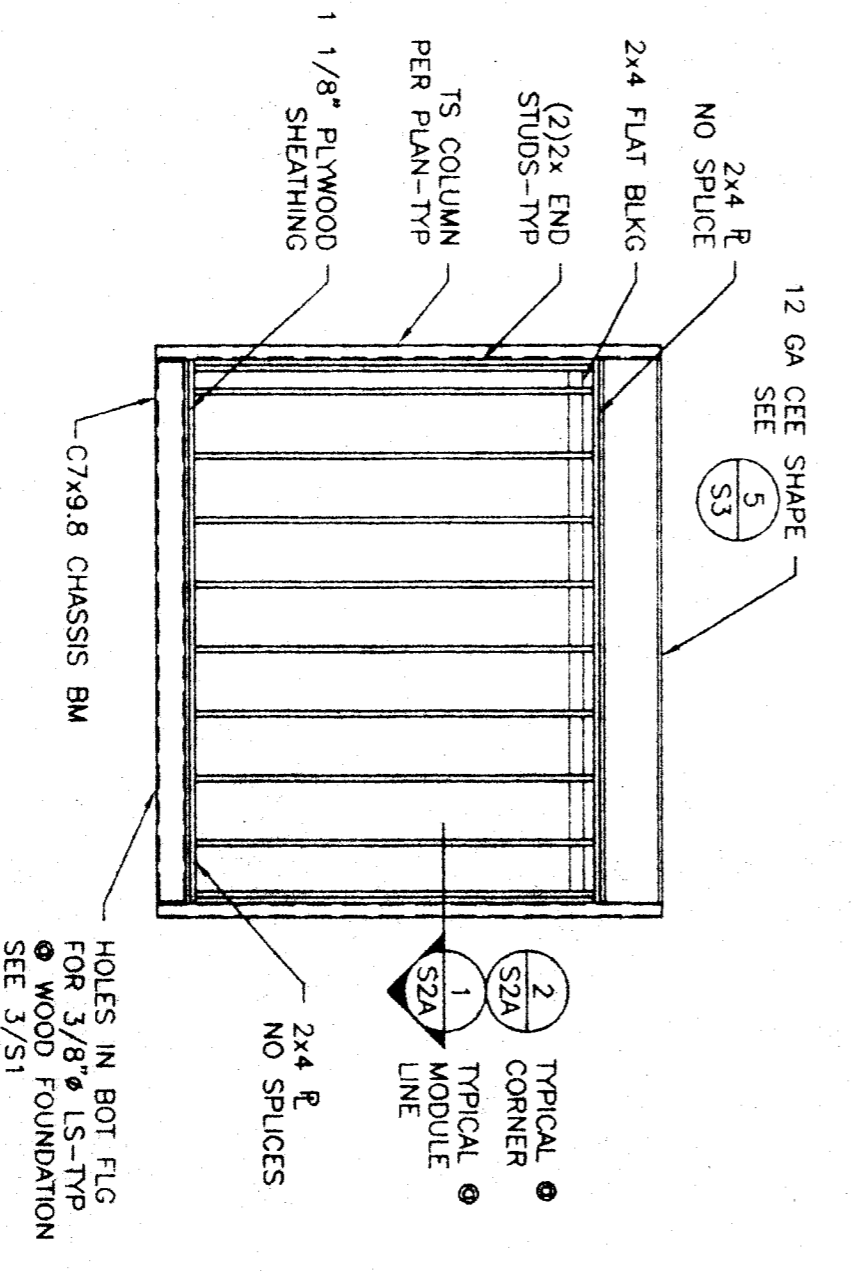


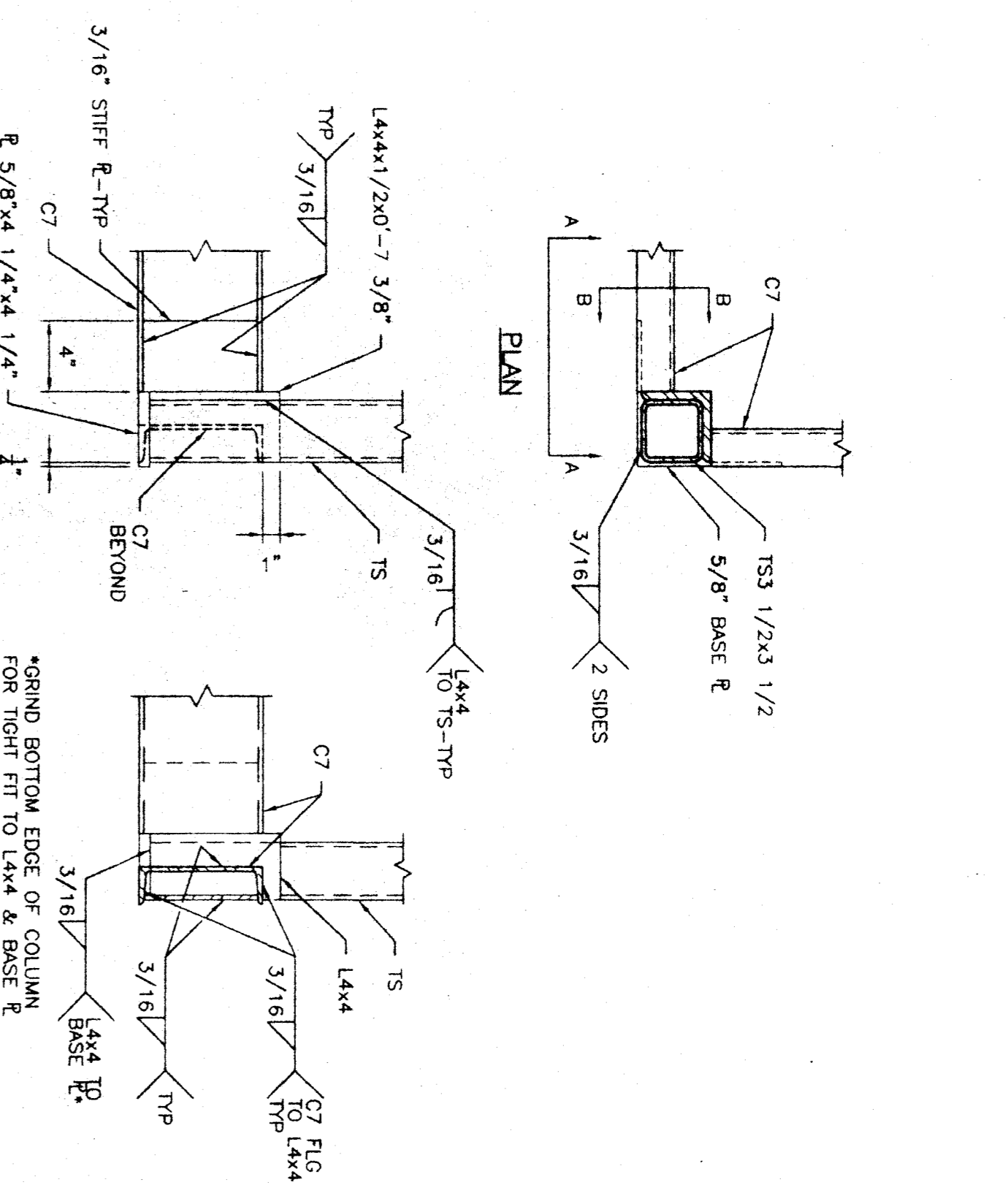
1 TOP CONNECTION
S4 1 1/2" = 1'-0"



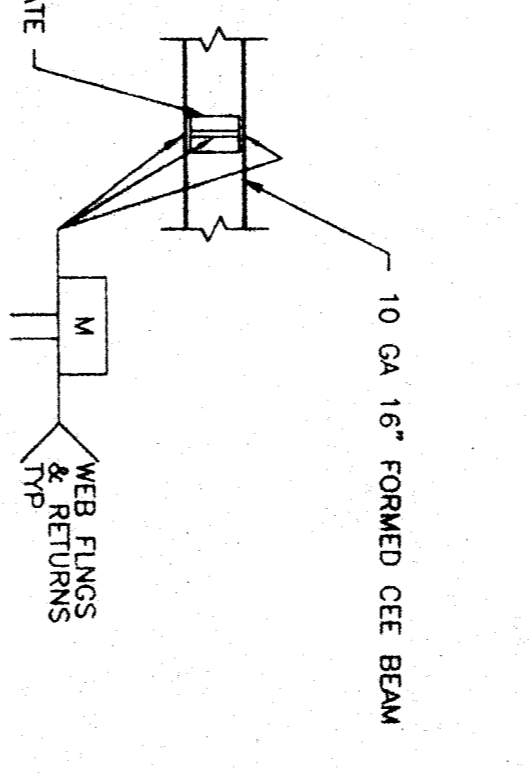
3 OPTIONAL BEAM SPLICE LOCATION
S4 1 1/2" = 1'-0"



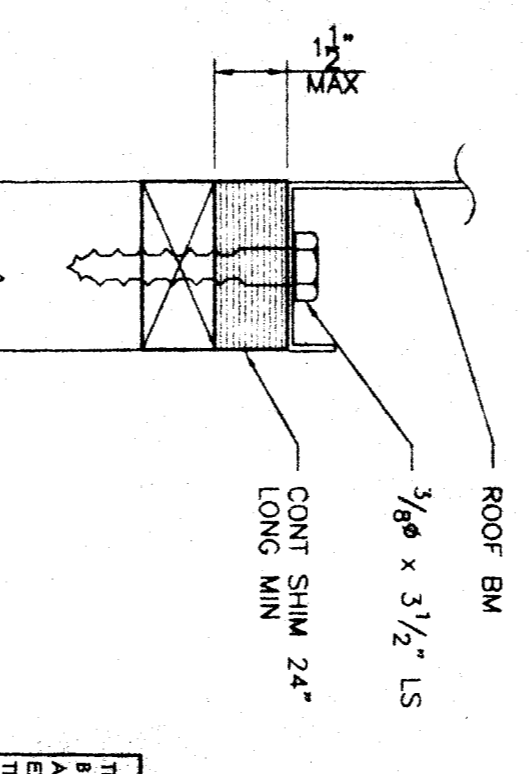
C SOLID END WALL ELEVATION
S4 1/4" = 1'-0"



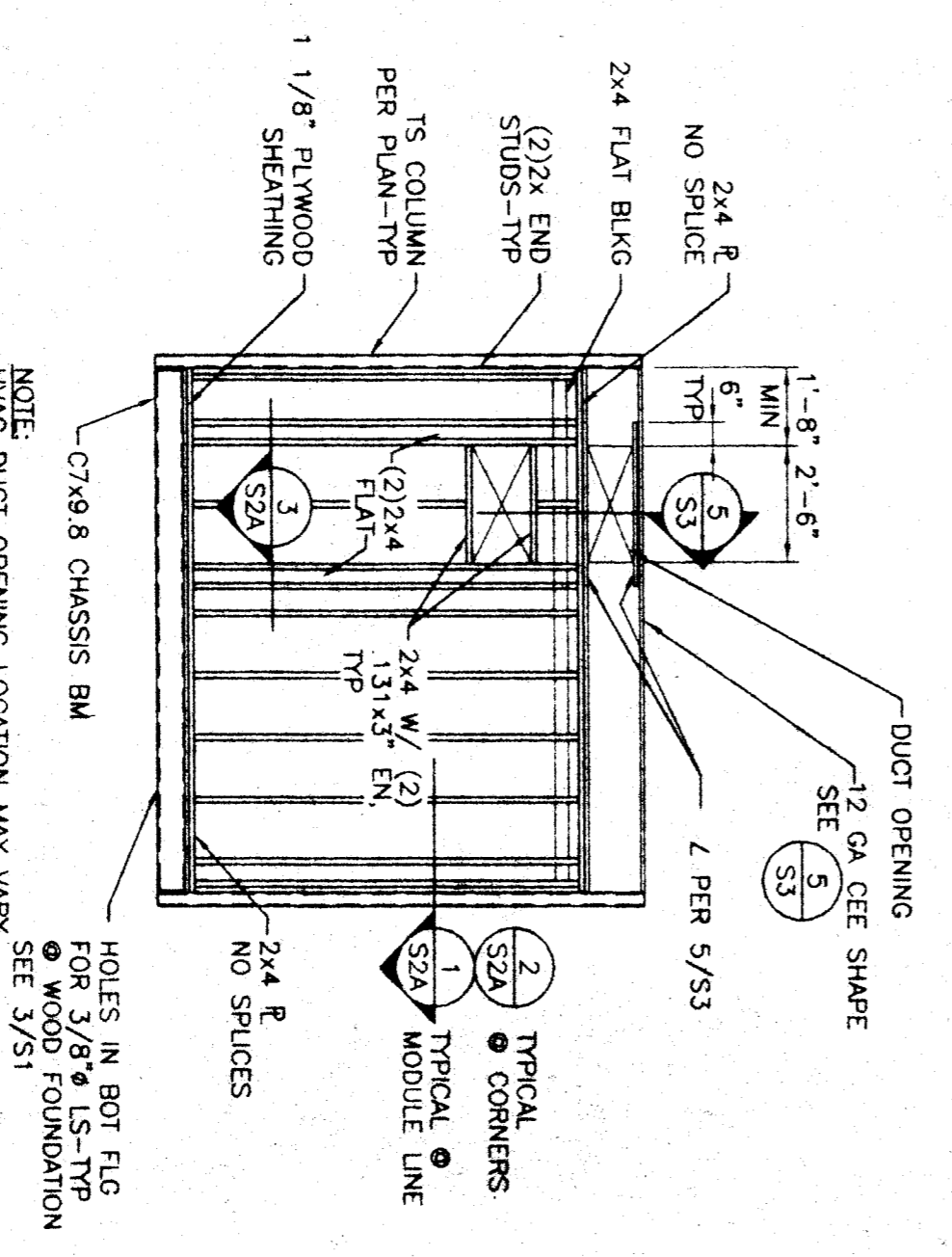
2 BOTTOM CONNECTION
S4 1 1/2" = 1'-0"



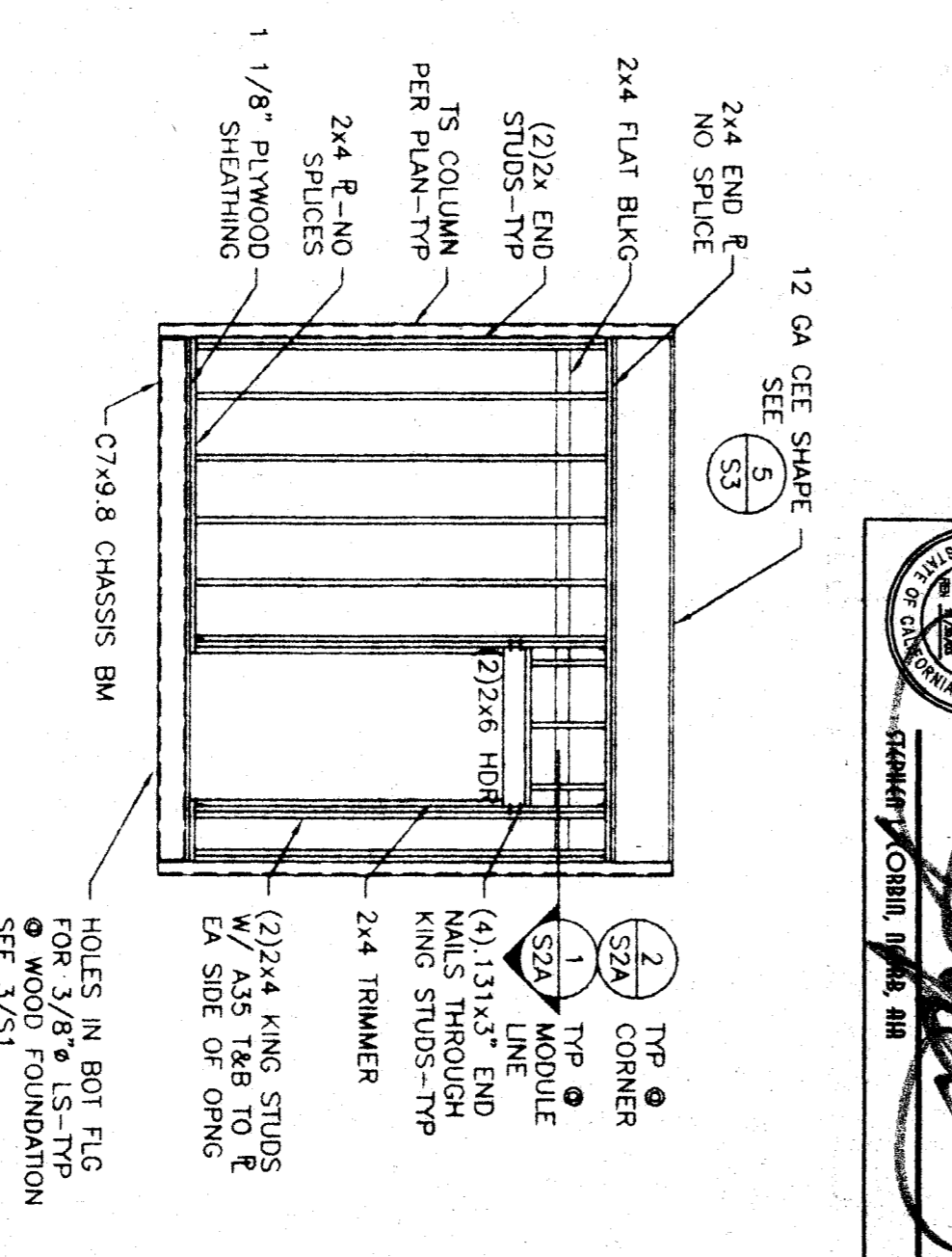
3A BEAM SPLICE DETAIL
S4 1 1/2" = 1'-0"



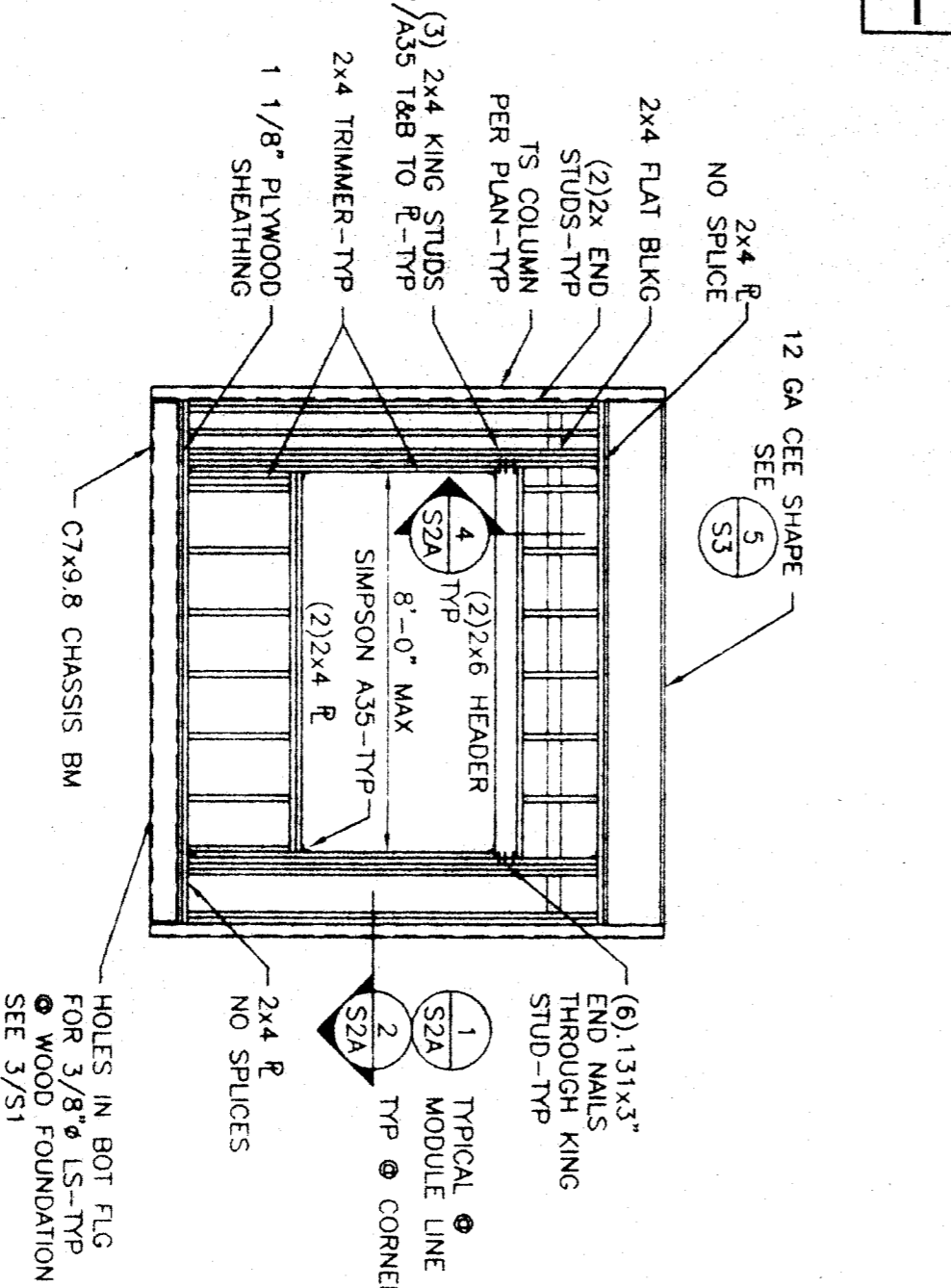
4 OPTIONAL SHIM @ SIDEWALL/ ENDWALL SIM DETAIL
S4 1 1/2" = 1'-0"



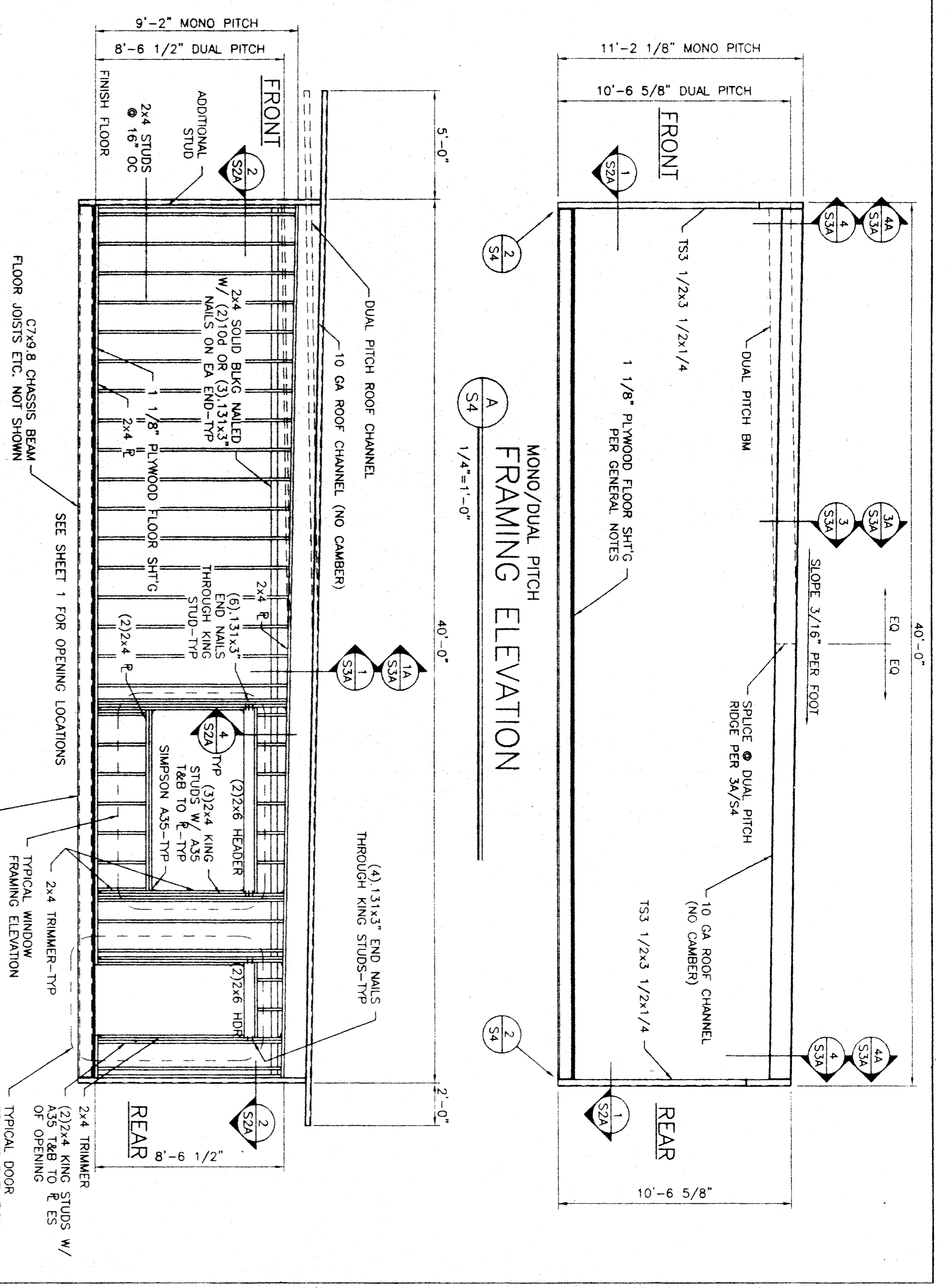
D HVAC END WALL ELEVATION
S4 1/4" = 1'-0"



E DOOR END WALL ELEVATION
S4 1/4" = 1'-0"



F WINDOW END WALL ELEVATION
S4 1/2" = 1'-0"



A MONO/DUAL PITCH FRAMING ELEVATION
S4 1/4" = 1'-0"

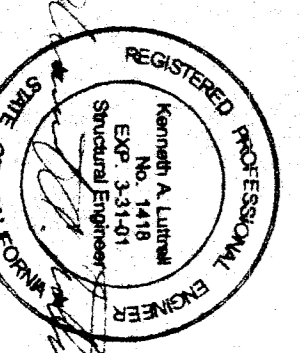
B MONO/DUAL PITCH FRAMING ELEVATION
S4 1/4" = 1'-0"

THESE DRAWINGS AND / OR SPECIFICATIONS AND / OR CALCULATIONS FOR THE ITEMS LISTED ARE THE PROPERTY OF AMERICAN MODULAR SYSTEMS, INC. AND ARE NOT TO BE REPRODUCED, COPIED, OR TRANSMITTED IN ANY FORM OR BY ANY MEANS, ELECTRONIC OR MECHANICAL, INCLUDING PHOTOCOPYING, RECORDING, OR BY ANY INFORMATION STORAGE AND RETRIEVAL SYSTEM, WITHOUT THE WRITTEN PERMISSION OF AMERICAN MODULAR SYSTEMS, INC. THE USER OF THESE DRAWINGS AND / OR SPECIFICATIONS AND / OR CALCULATIONS SHALL BE RESPONSIBLE FOR OBTAINING ALL NECESSARY PERMITS AND APPROVALS FROM THE APPROPRIATE AGENCIES AND FOR THE PROTECTION OF THE PUBLIC. AMERICAN MODULAR SYSTEMS, INC. ACCEPTS NO LIABILITY FOR ANY DAMAGE, LOSS, OR INJURY, INCLUDING CONSEQUENTIAL DAMAGES, ARISING FROM THE USE OF THESE DRAWINGS AND / OR SPECIFICATIONS AND / OR CALCULATIONS. A LIST OF ITEMS HAS BEEN REVIEWED AND ACCEPTED FOR THIS PROJECT. FOR DRAWINGS, A LIST OF ALL ACCEPTED DRAWINGS ARE ATTACHED TO THESE DRAWINGS. 15-11

DATE: 12/27/99
DRAWN BY: PWD
DESIGNED BY: MOB
CHECKED BY: KAL
SERIAL NO.

IDENTIFICATION STAMP
DATE: JAN 04 2000
APPRO: 10 99 03
AC: R8
DATE: JAN 04 2000

PROJECT NO. 99100
SHEET NO. S4



CUSTOMER: FRAMING ELEVATIONS AND DETAILS

NO	DATE	DESCRIPTION	NO	DATE	DESCRIPTION

REVISIONS