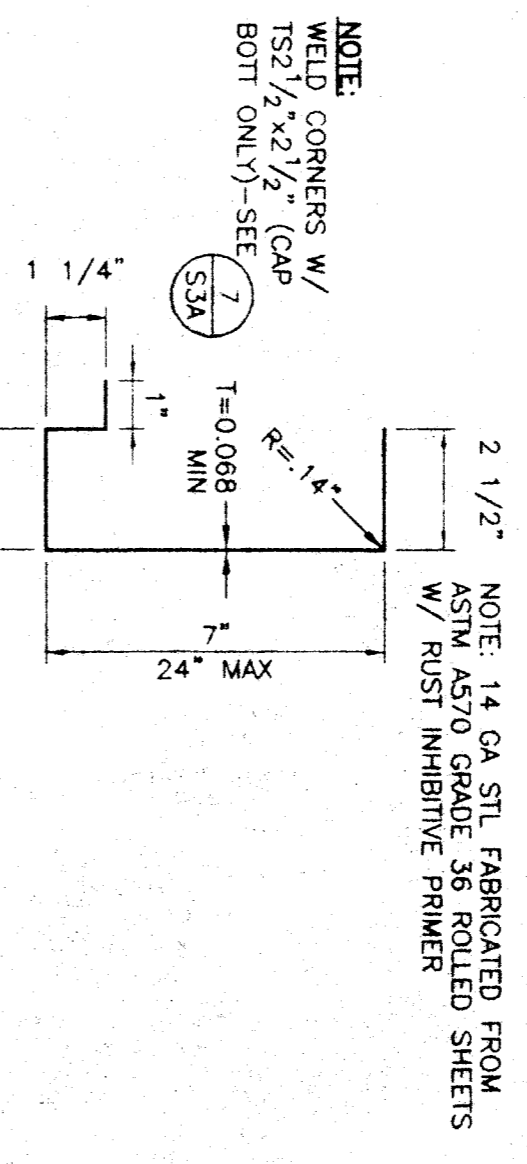
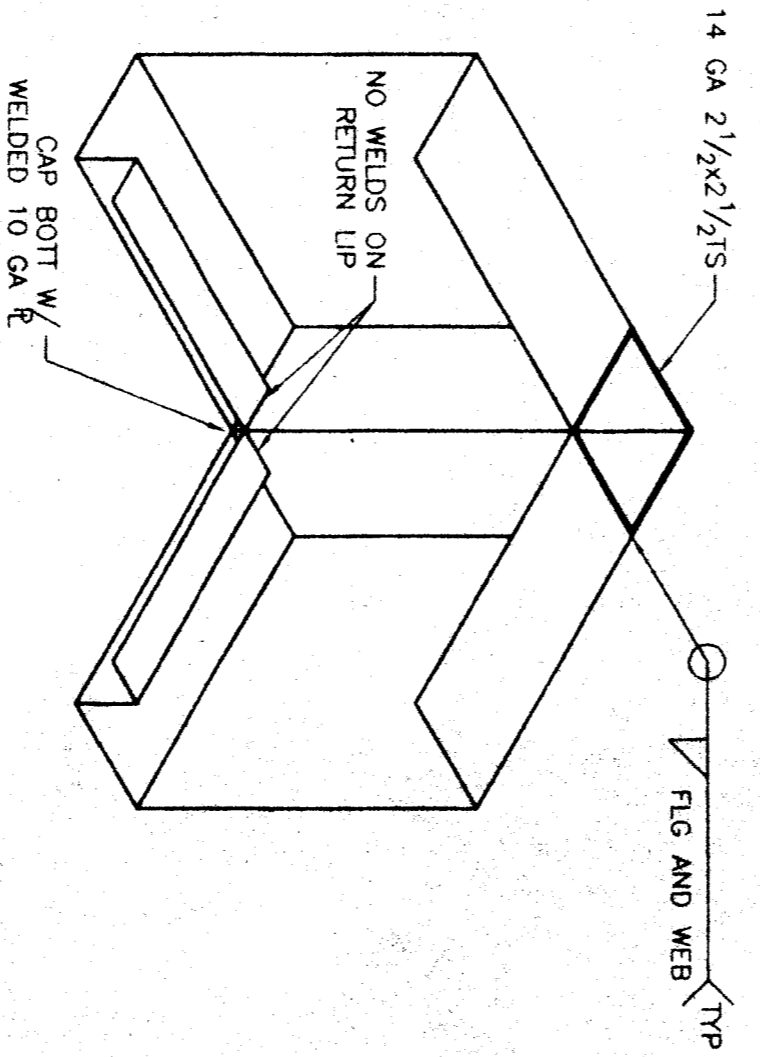


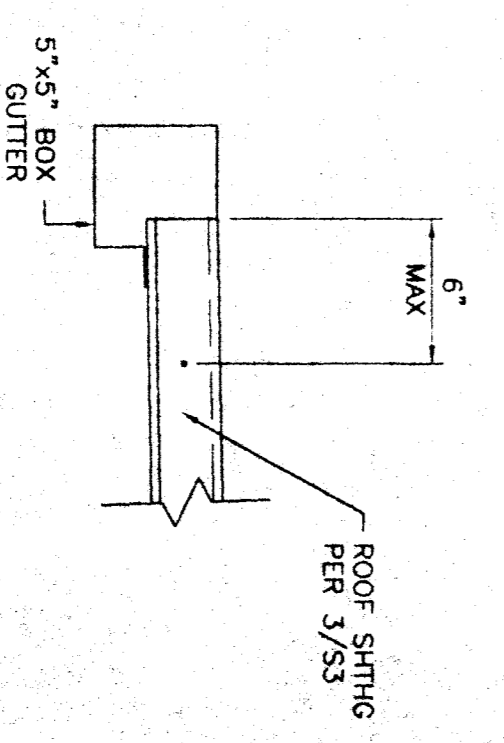
5
3" = 1'-0"



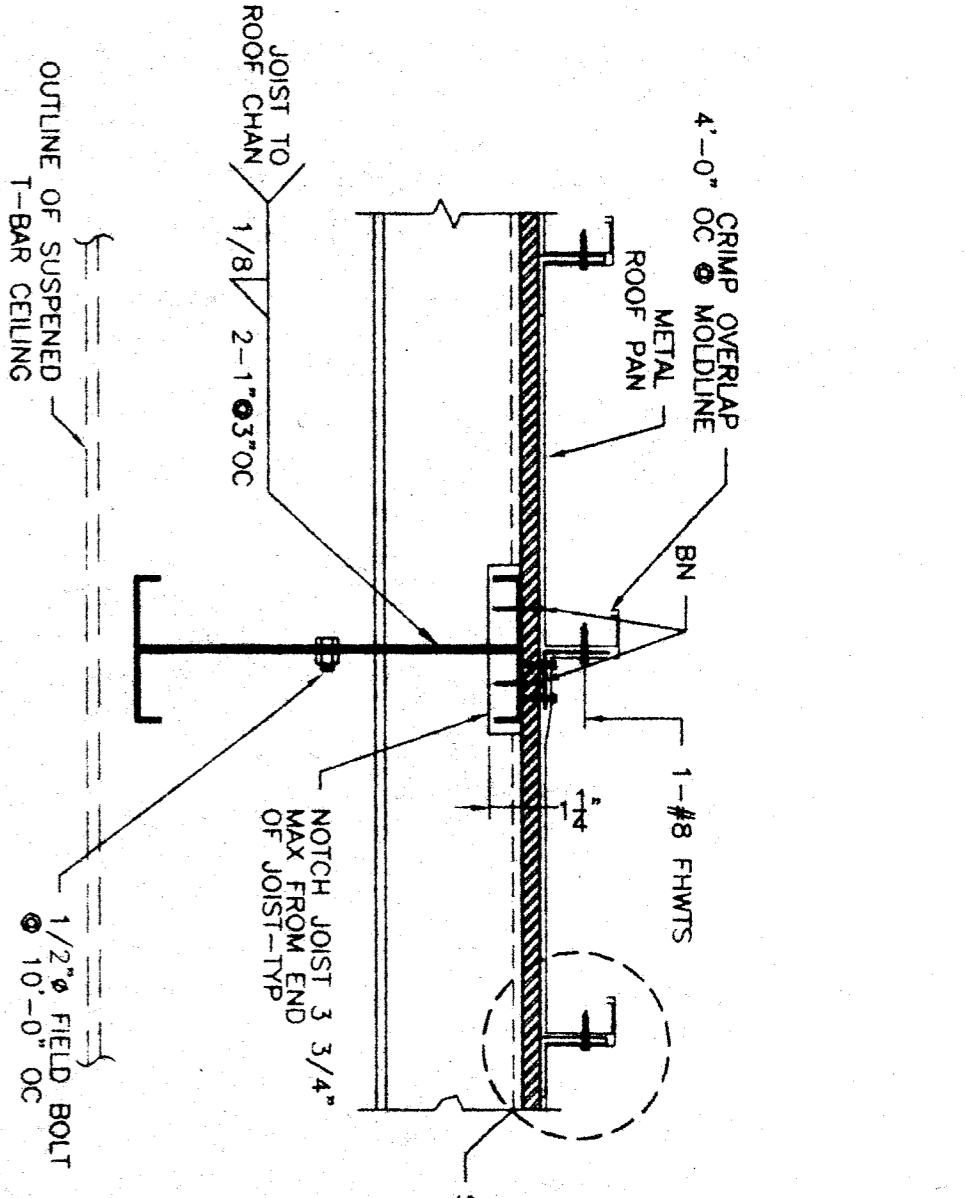
6
3" = 1'-0"



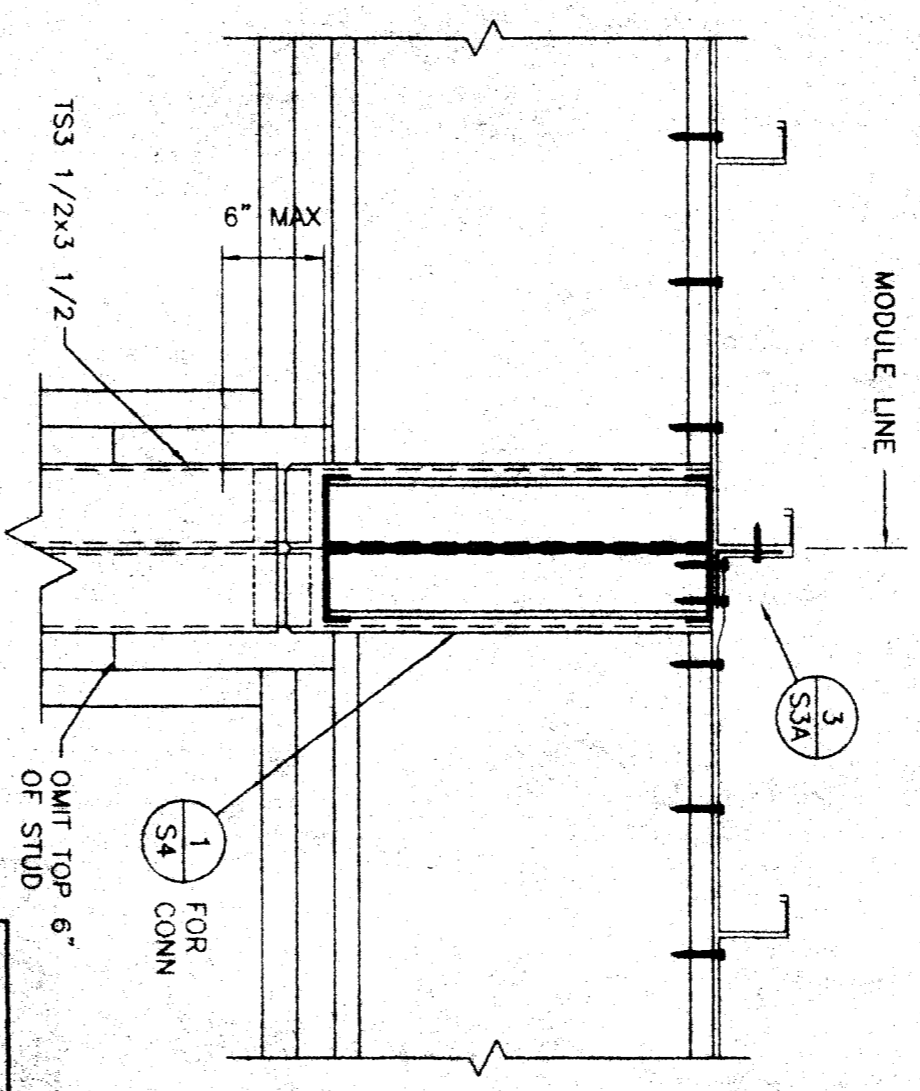
7
NO SCALE



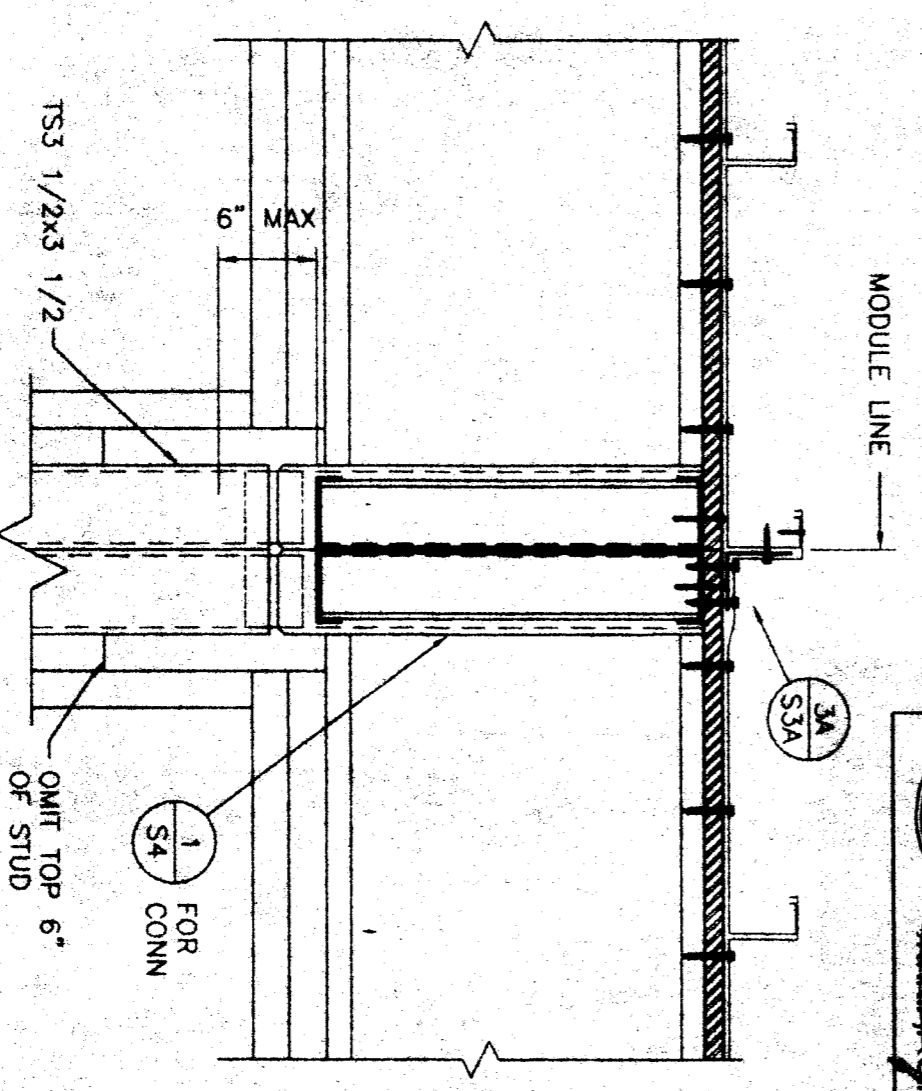
8
NO SCALE



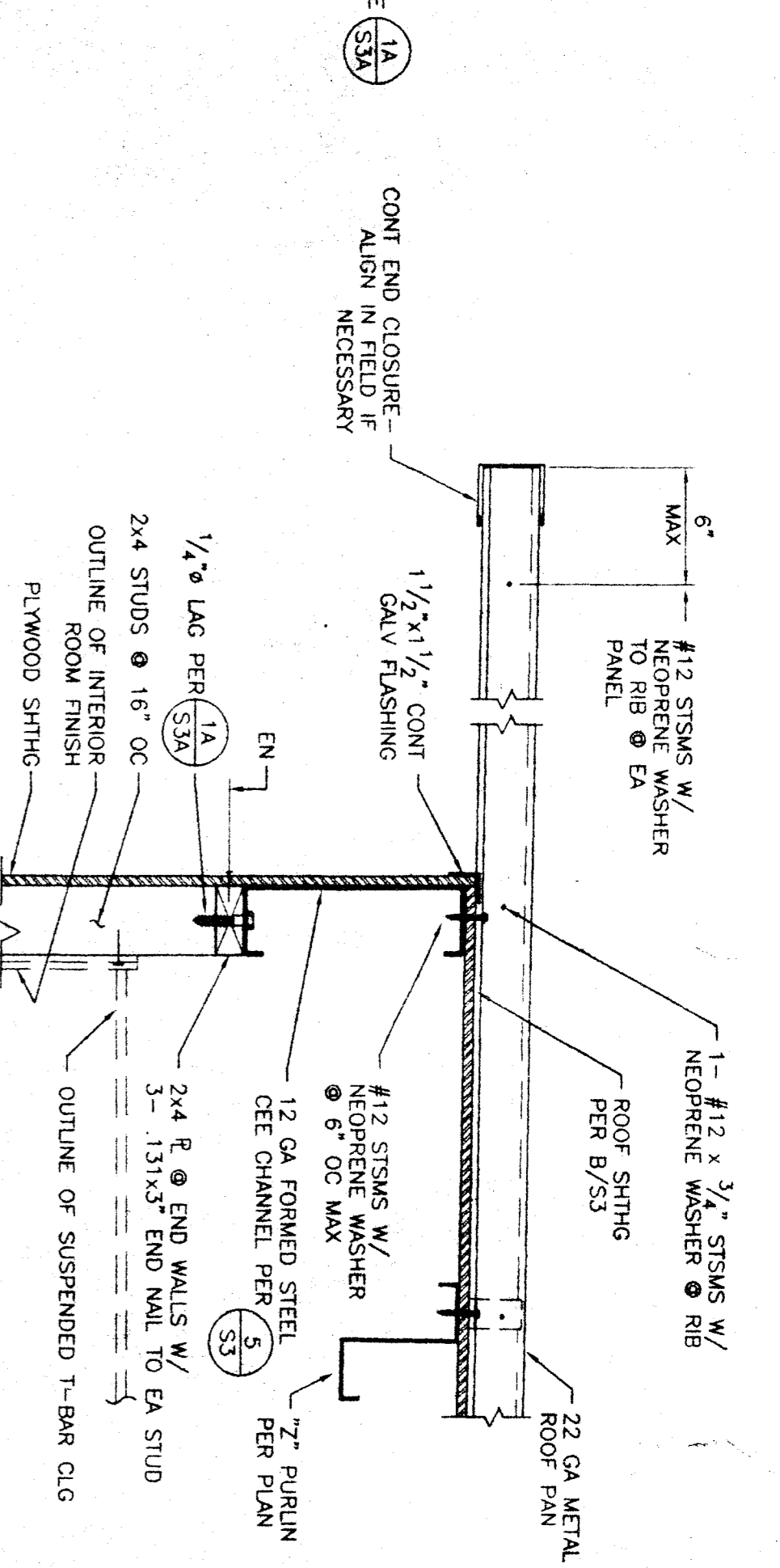
3A
1 1/2" = 1'-0"



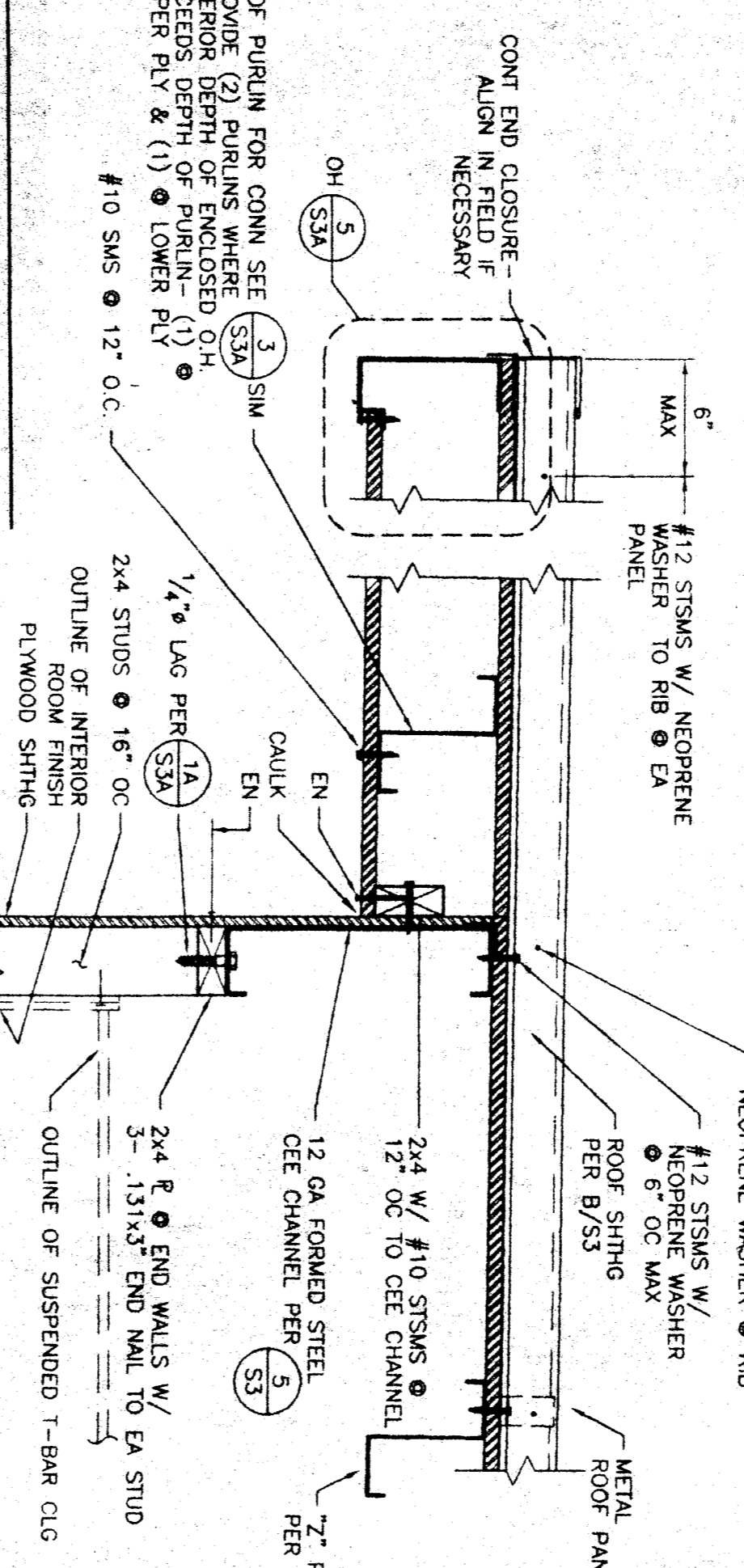
4
1 1/2" = 1'-0"



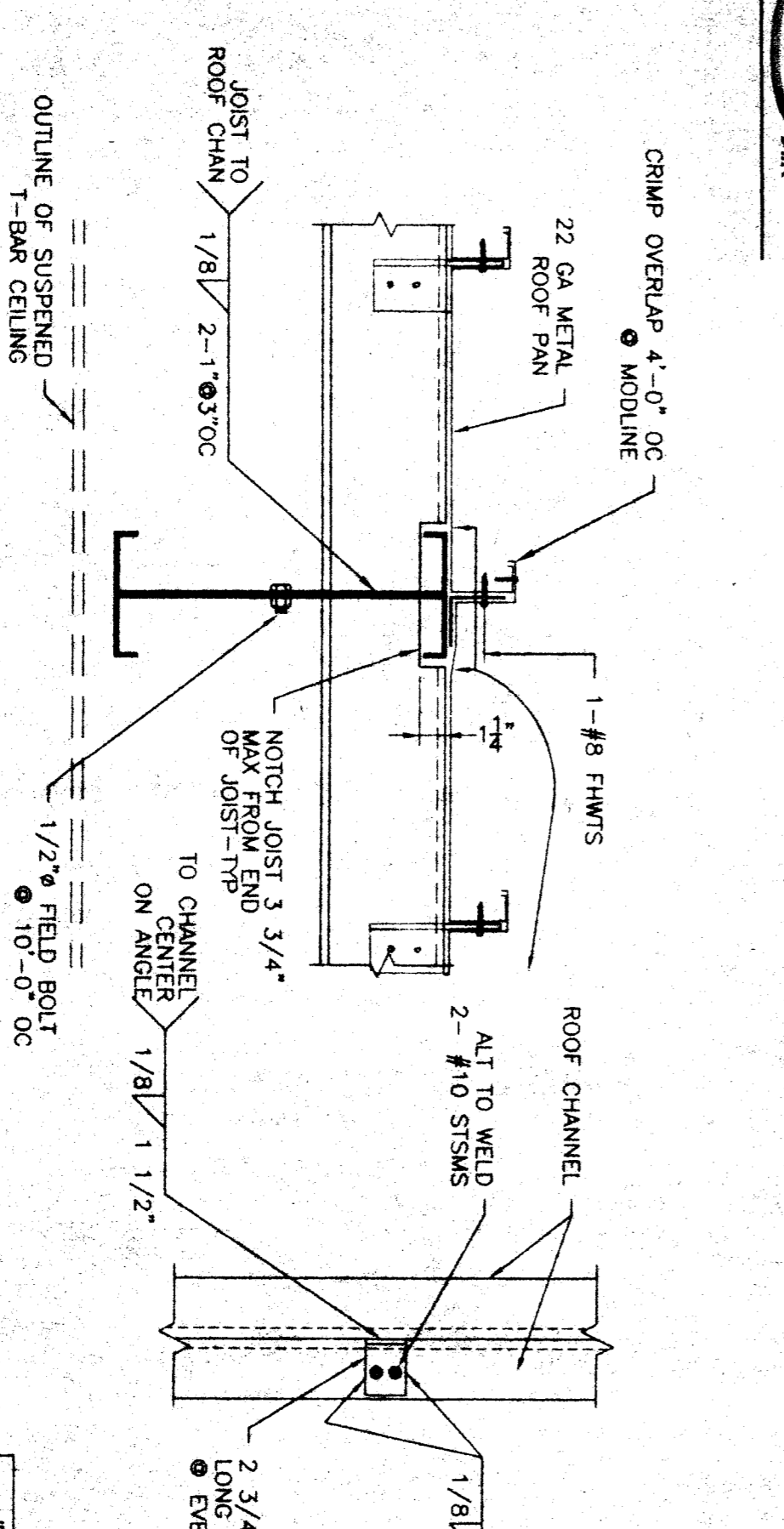
4A
1 1/2" = 1'-0"



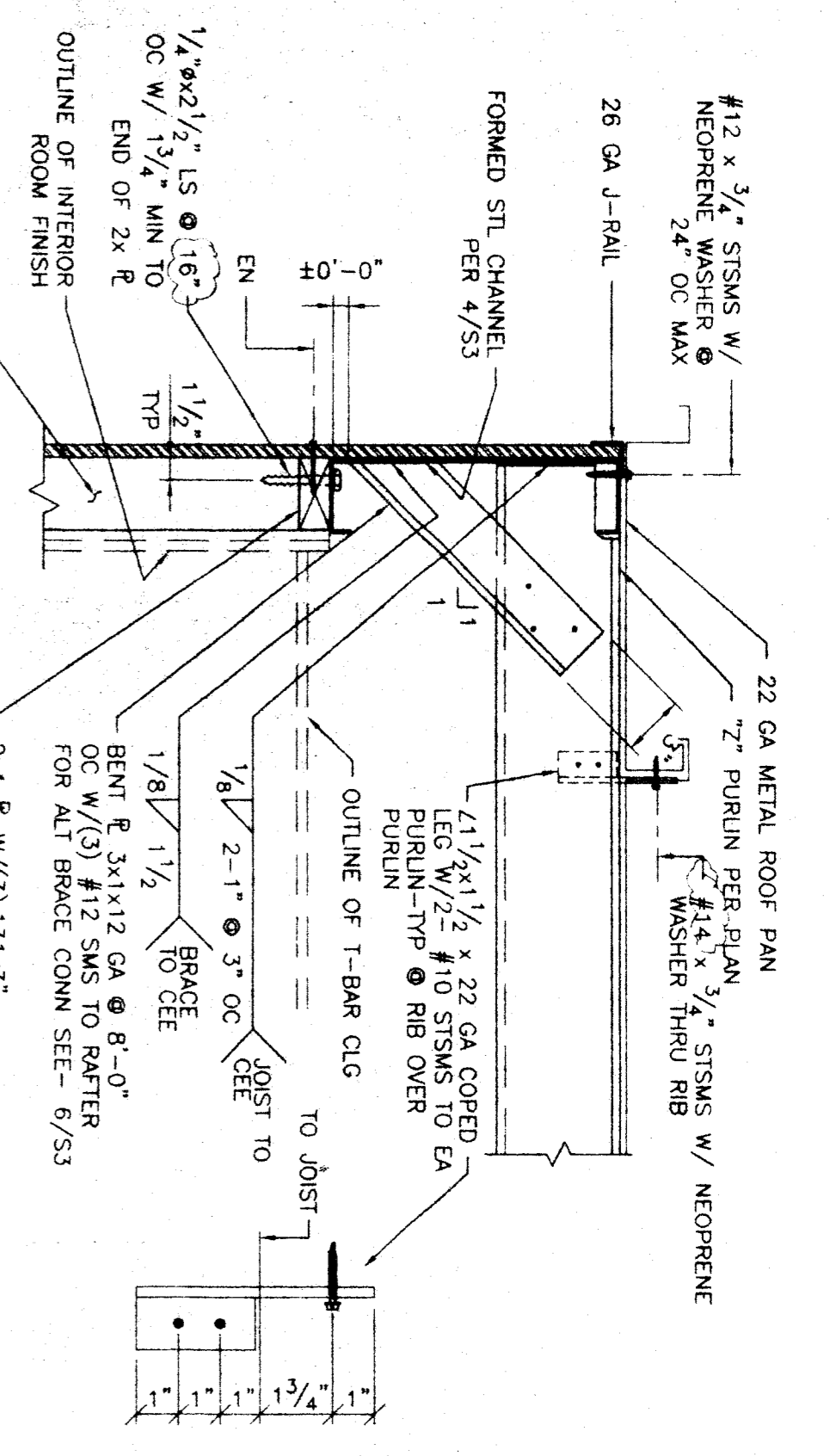
2A
1 1/2" = 1'-0"



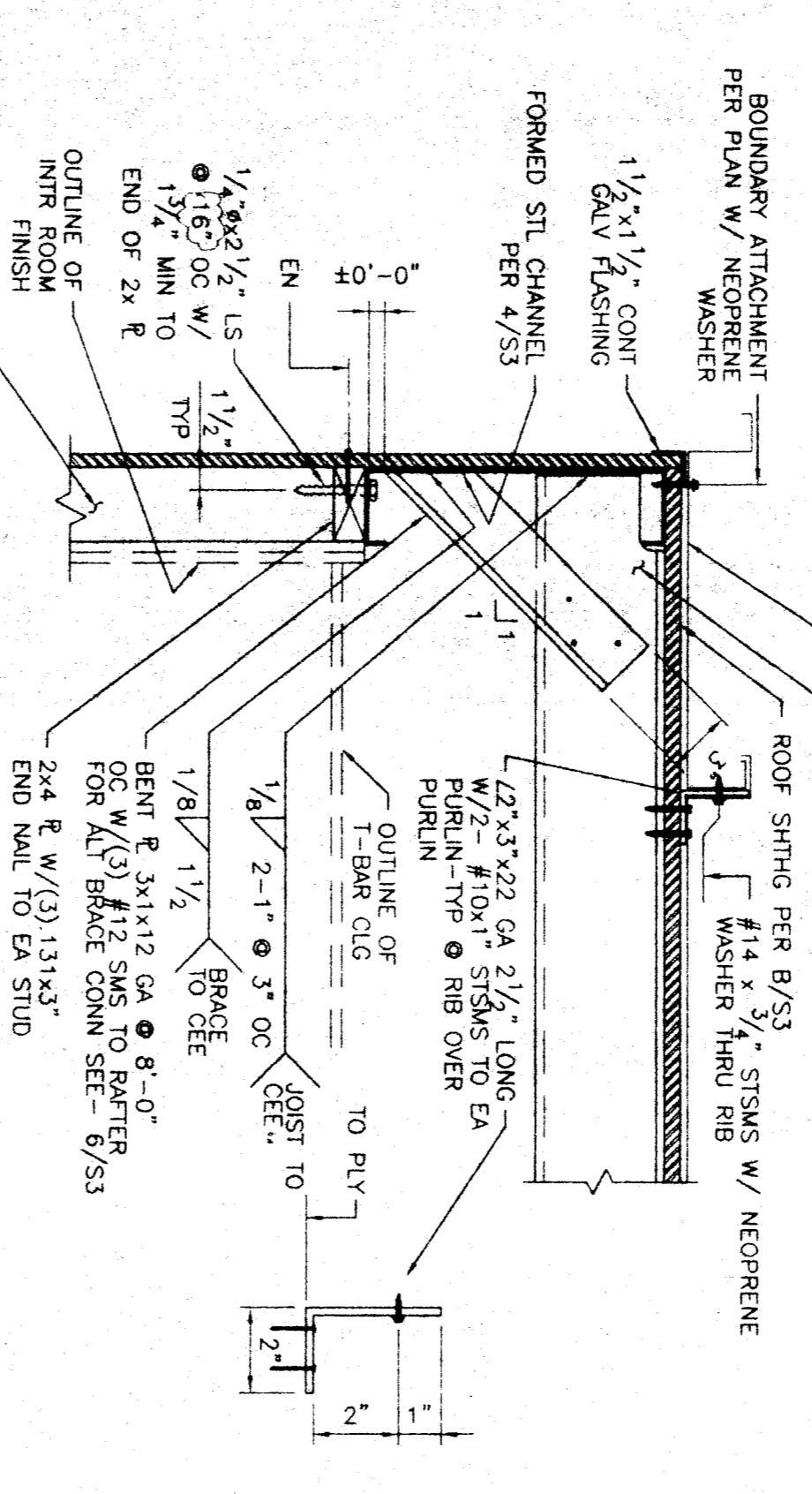
2B
1 1/2" = 1'-0"



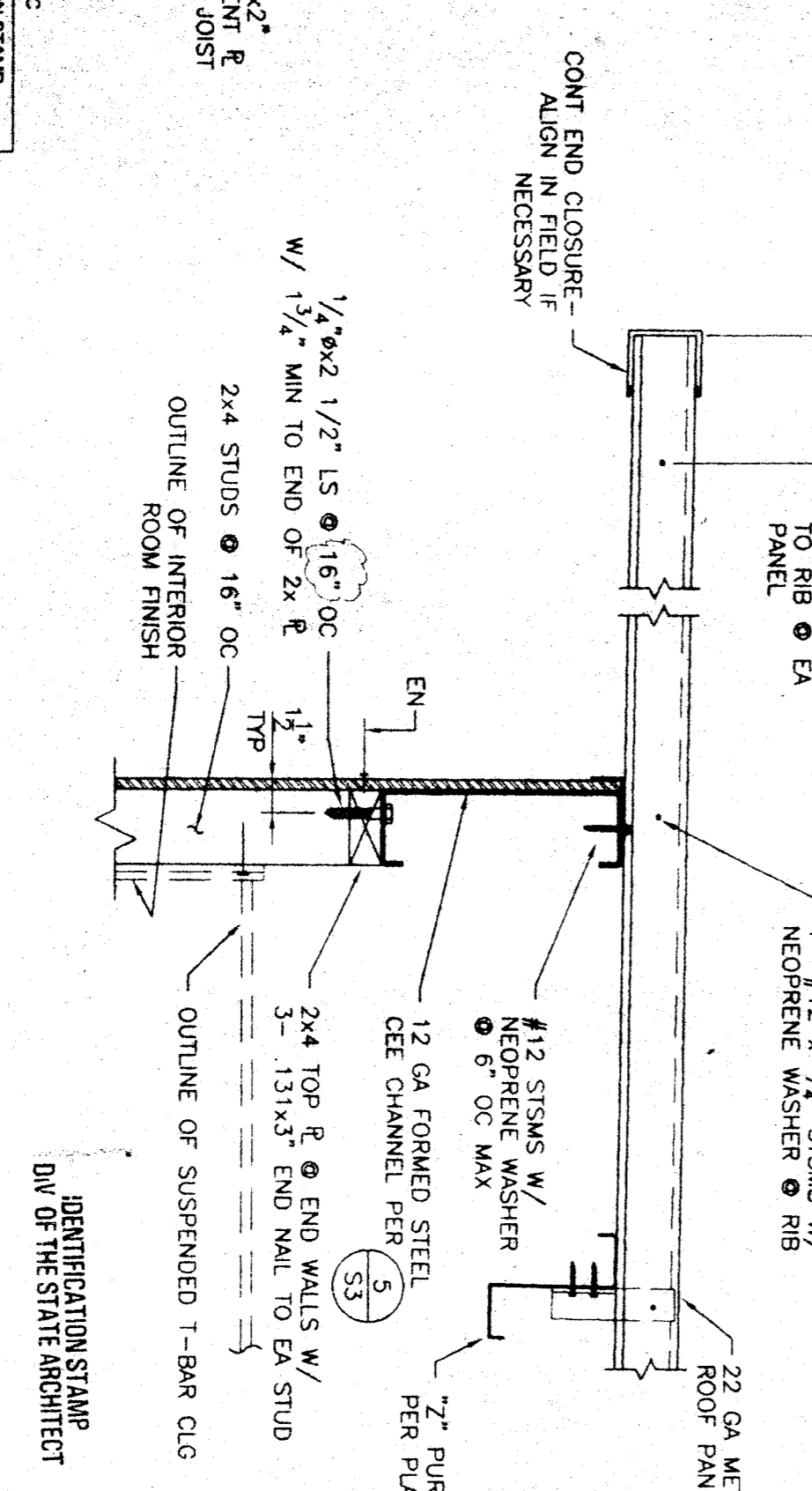
3
1 1/2" = 1'-0"



1
1 1/2" = 1'-0"



1A
1 1/2" = 1'-0"



2
1 1/2" = 1'-0"

THESE DRAWINGS AND / OR SPECIFICATIONS AND / OR CALCULATIONS FOR THE ITEMS LISTED ABOVE HAVE BEEN PREPARED BY OTHER DESIGN PROFESSIONALS WHO ARE LICENSED AND AUTHORIZED TO PREPARE SUCH DRAWINGS AND / OR CALCULATIONS IN THE STATE OF CALIFORNIA AND WHO ARE NOT PROVIDING SUCH SERVICES TO YOU IN THE STATE OF CALIFORNIA. THE USER OF THESE DRAWINGS AND / OR CALCULATIONS IS RESPONSIBLE FOR THE PROPER APPLICATION OF THE ITEMS LISTED BELOW AND FOR THE PROPER CONSTRUCTION OF THE PROJECT. THE USER OF THESE DRAWINGS AND / OR CALCULATIONS IS RESPONSIBLE FOR THE PROPER APPLICATION OF THE ITEMS LISTED BELOW AND FOR THE PROPER CONSTRUCTION OF THE PROJECT. THE USER OF THESE DRAWINGS AND / OR CALCULATIONS IS RESPONSIBLE FOR THE PROPER APPLICATION OF THE ITEMS LISTED BELOW AND FOR THE PROPER CONSTRUCTION OF THE PROJECT.

FILE NO. PC
IDENTIFICATION STAMP
DIV. OF THE STATE ARCHITECT
OFFICE OF REGULATION SERVICES
APPLICATION NO.
02-011637
DATE 03/11/99
DRAWN BY: JMB
CHECKED BY: JMB
SERIAL NO.

APPROX. 10 94015
IDENTIFICATION STAMP
DIV. OF THE STATE ARCHITECT
DATE 03/11/99
DRAWN BY: JMB
CHECKED BY: JMB
SERIAL NO.

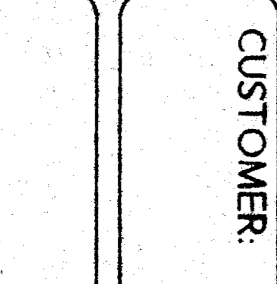
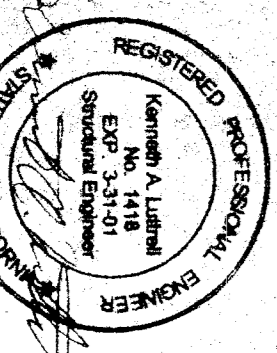
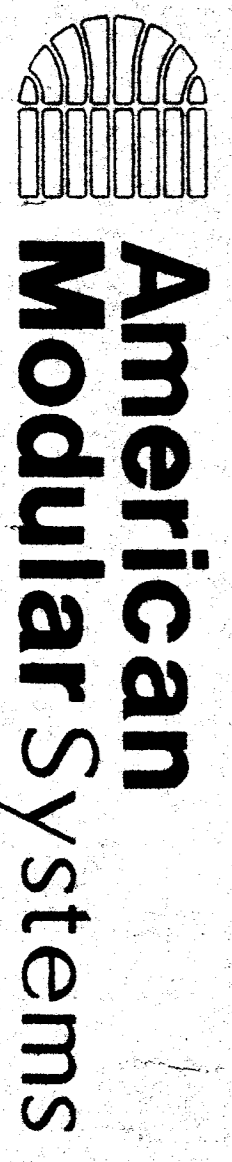
CUSTOMER:

ROOF FRAMING DETAILS

DATE: 12/27/98
SCALE: AS NOTED
DRAWN BY: JMB
DESIGNED BY: JMB
CHECKED BY: JMB
SERIAL NO.

NO.	DATE	DESCRIPTION	NO.	DATE	DESCRIPTION

PROJECT NO.
99100
SHEET NO.
SS3A



REGISTERED PROFESSIONAL ENGINEER
No. 1118
State of California
JOSEPH A. LINDER

DATE: 12/27/98
SCALE: AS NOTED
DRAWN BY: JMB
DESIGNED BY: JMB
CHECKED BY: JMB
SERIAL NO.

NO.	DATE	DESCRIPTION	NO.	DATE	DESCRIPTION

PROJECT NO.
99100
SHEET NO.
SS3A