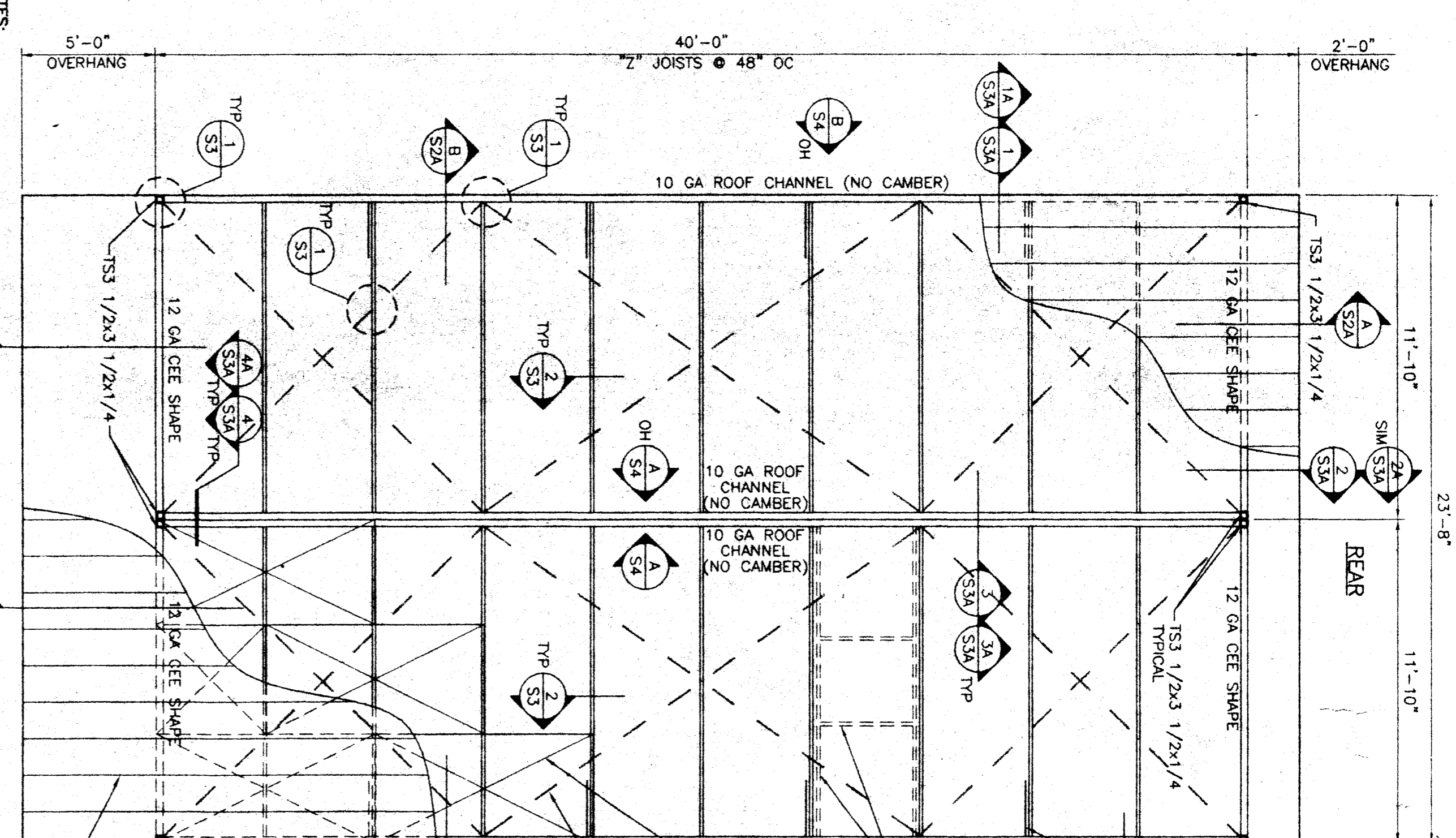
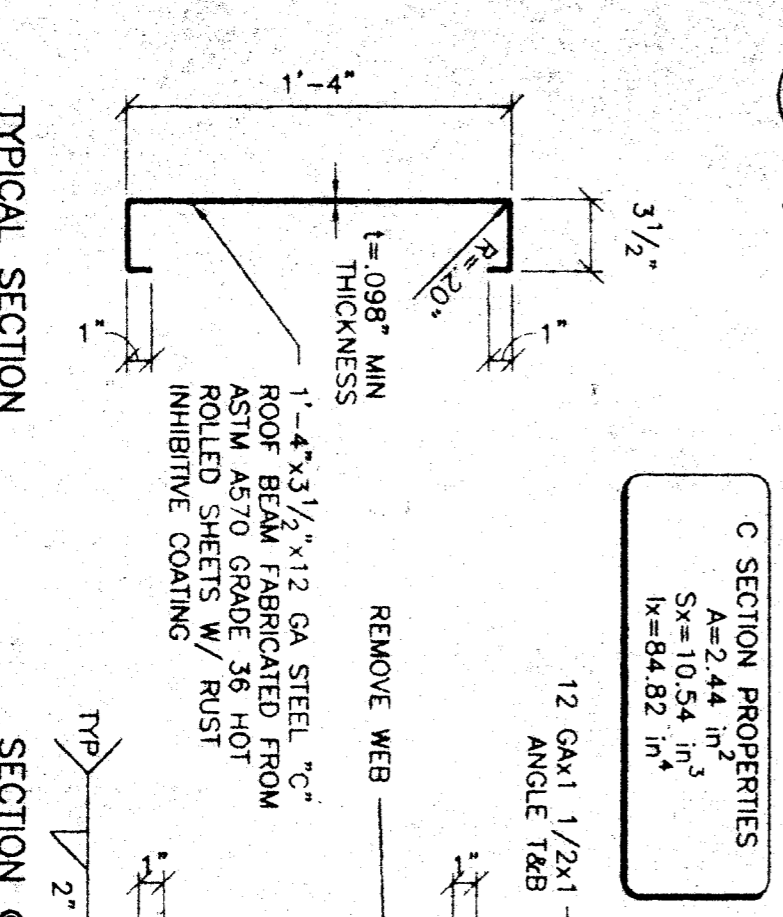


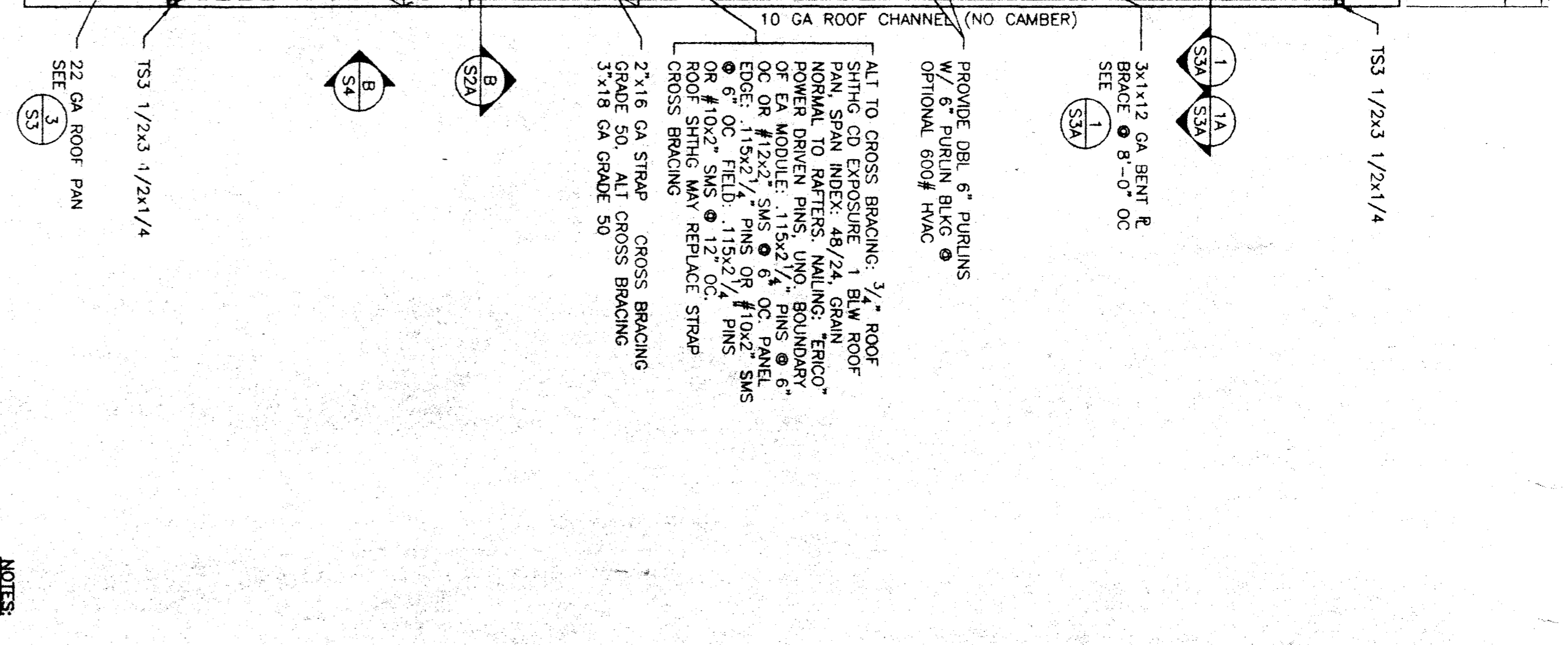
NOTES:  
1. SEE SHEET S4 FOR TYPICAL WALL FRAMING.  
2. C12X20.7 ASTM A36 SUBSTITUTED WHEREVER SHOWN ON ROOF PLAN.



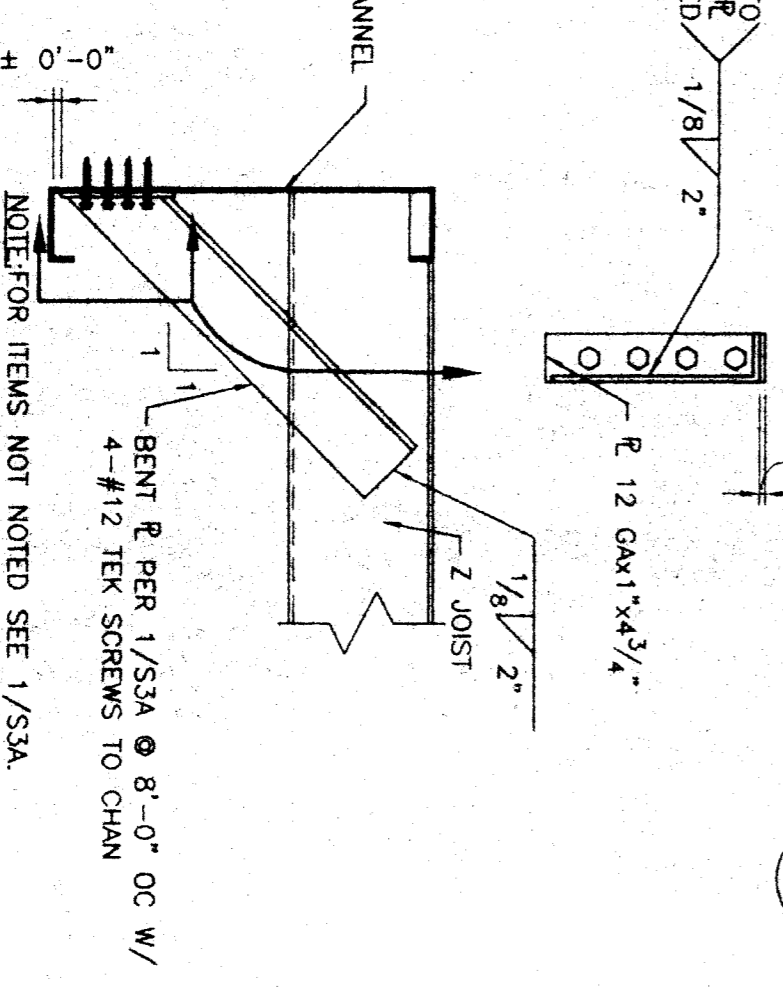
MONO/DUAL PITCH - OPEN SOFFIT ROOF FRAMING PLAN



12 GA ROOF CHANNEL DETAIL



ALTERNATE MONO/DUAL PITCH - CLOSED SOFFIT ROOF FRAMING PLAN



DETAIL

REGISTRATION STAMP  
DIV. OF THE STATE ARCHITECT  
OFFICE OF REGULATION SERVICES  
APPLICATION NO. 02-101837  
DATE JAN 1 2 2000

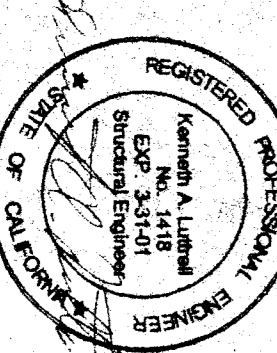
IDENTIFICATION STAMP  
DIV. OF THE STATE ARCHITECT  
APPROX 1 19 99 0 3  
DATE JUN 1 3 2003

REVISIONS

NO.	DATE	DESCRIPTION

PROJECT NO. 99100  
SHEET NO. S3

24 x 40  
RELOCATABLE  
CLASSROOM



CUSTOMER:

ROOF FRAMING  
PLANS AND DETAILS

DATE: 12/27/99  
SCALE: AS SHOWN  
DRAWN BY: PND  
DESIGNED BY: MGB  
CHECKED BY: KAL  
SERIAL NO.

NO. DATE DESCRIPTION