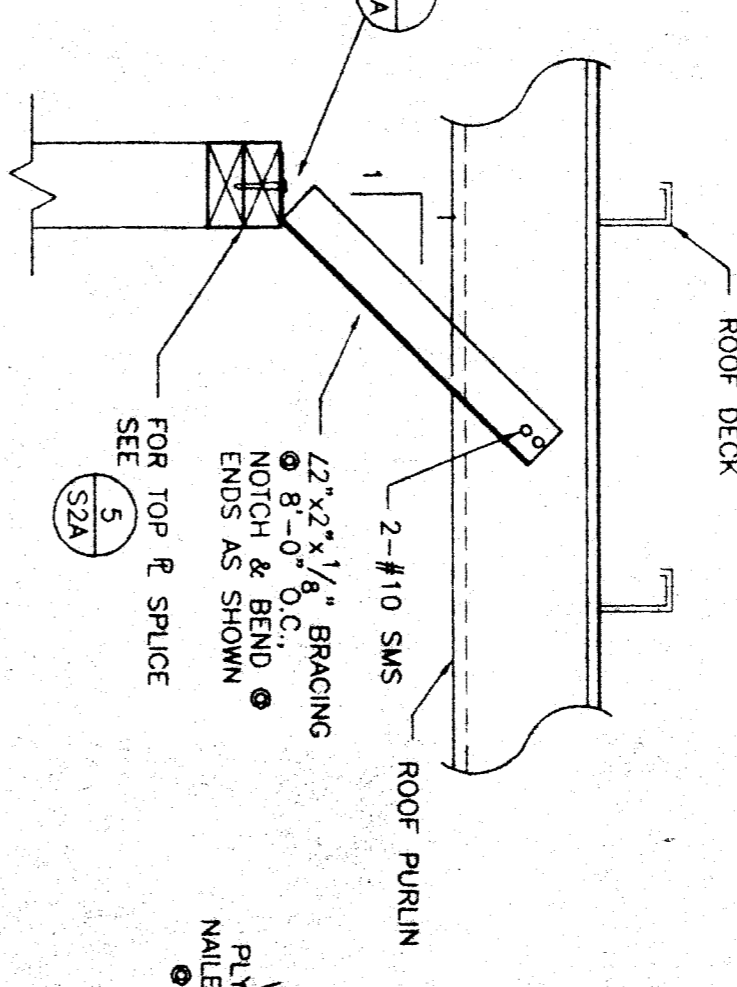
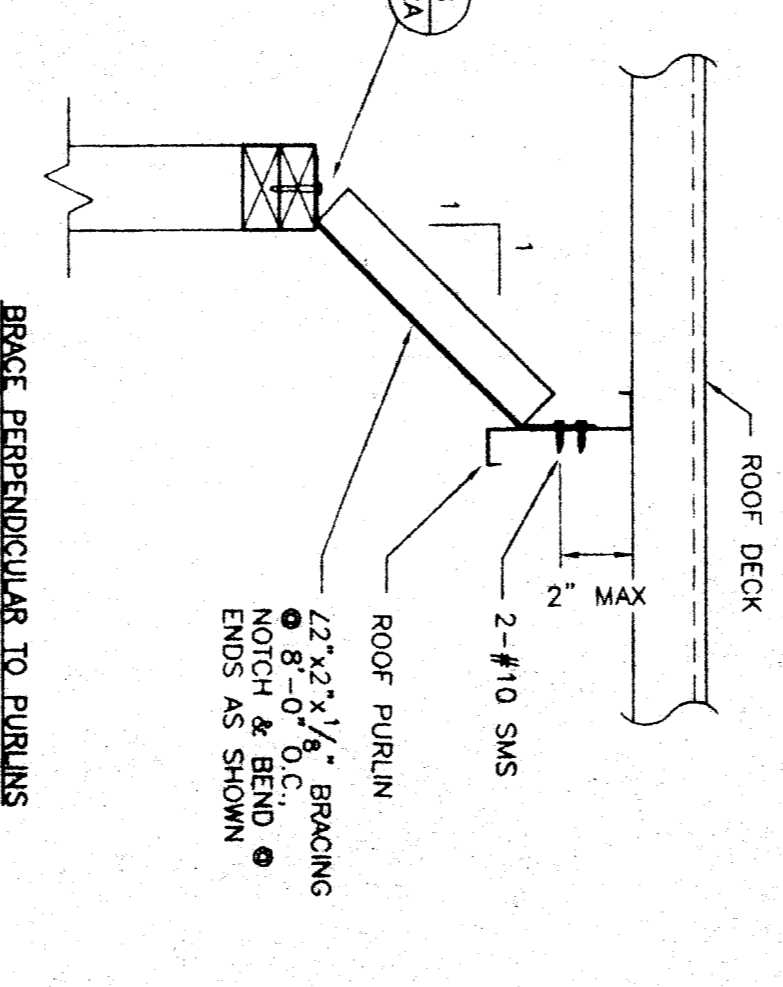


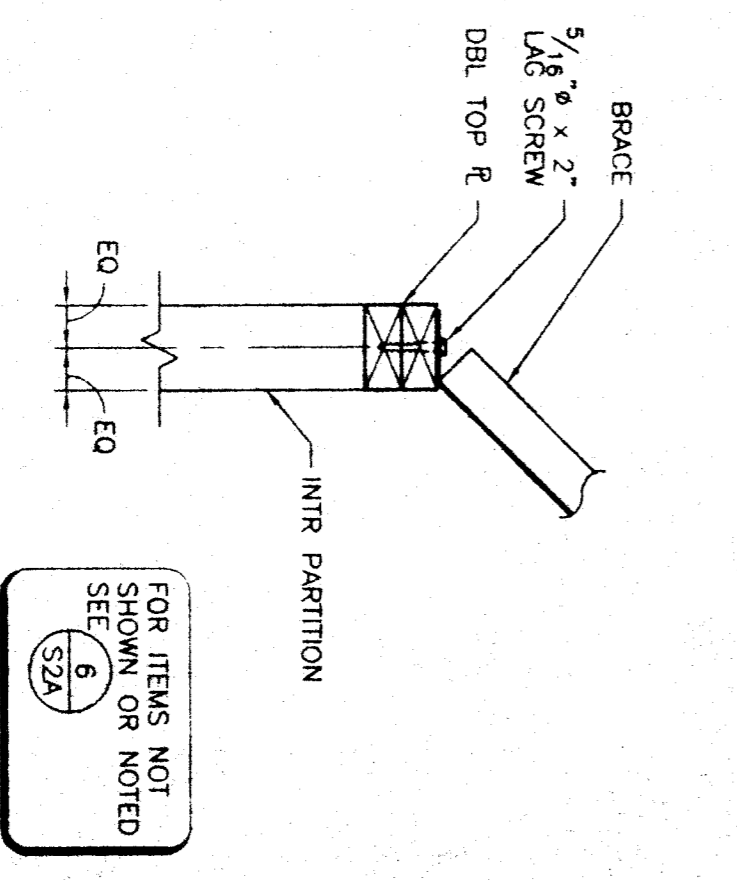
6 WALL FRAMING DETAIL  
1 1/2" = 1'-0"



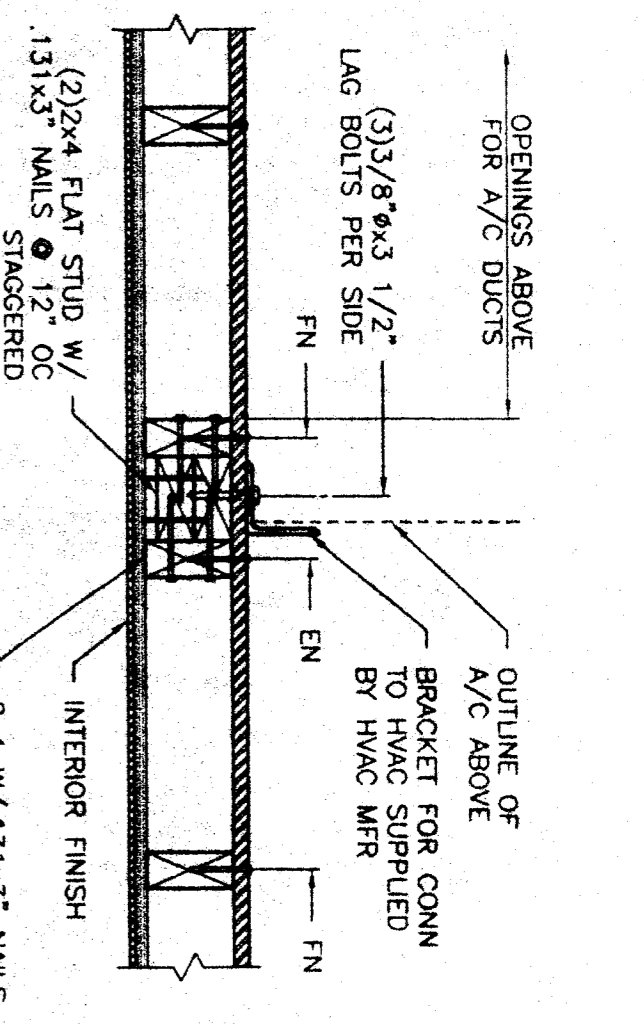
5 WALL FRAMING DETAIL  
1 1/2" = 1'-0"



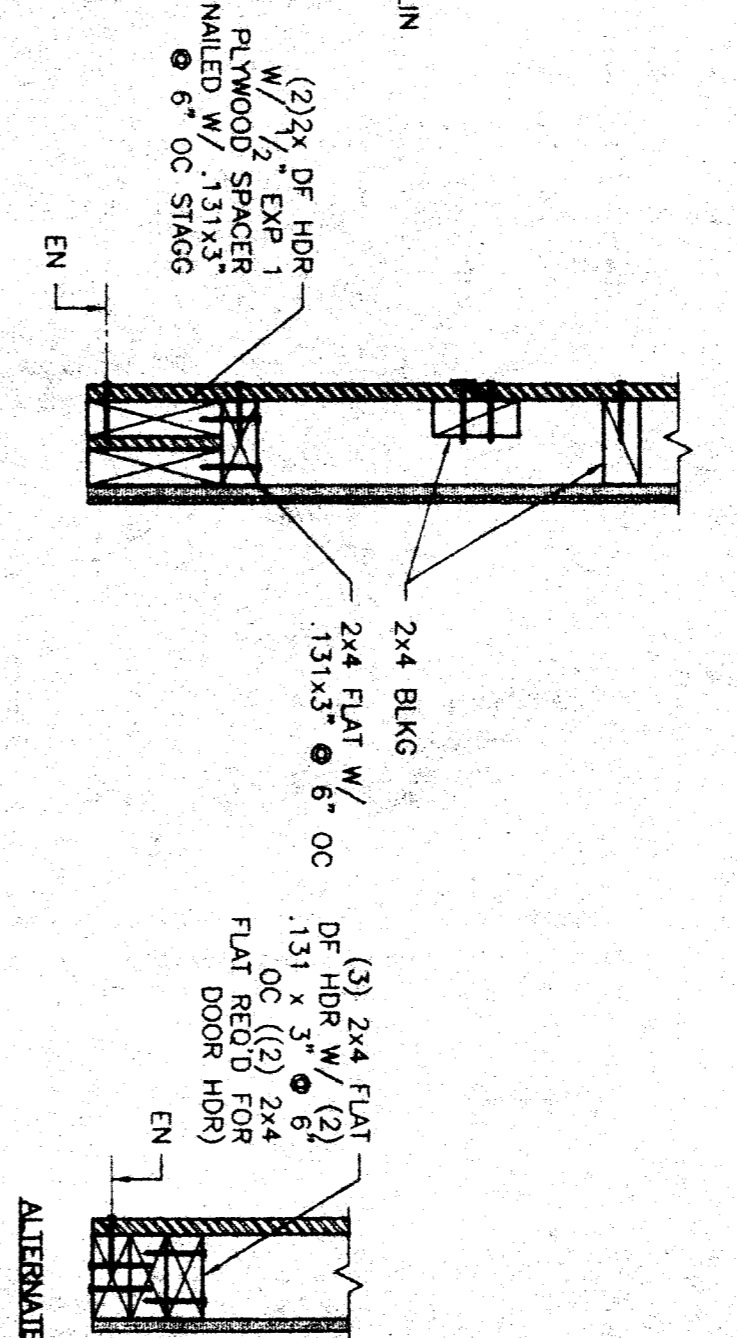
4 WALL FRAMING DETAIL  
1 1/2" = 1'-0"



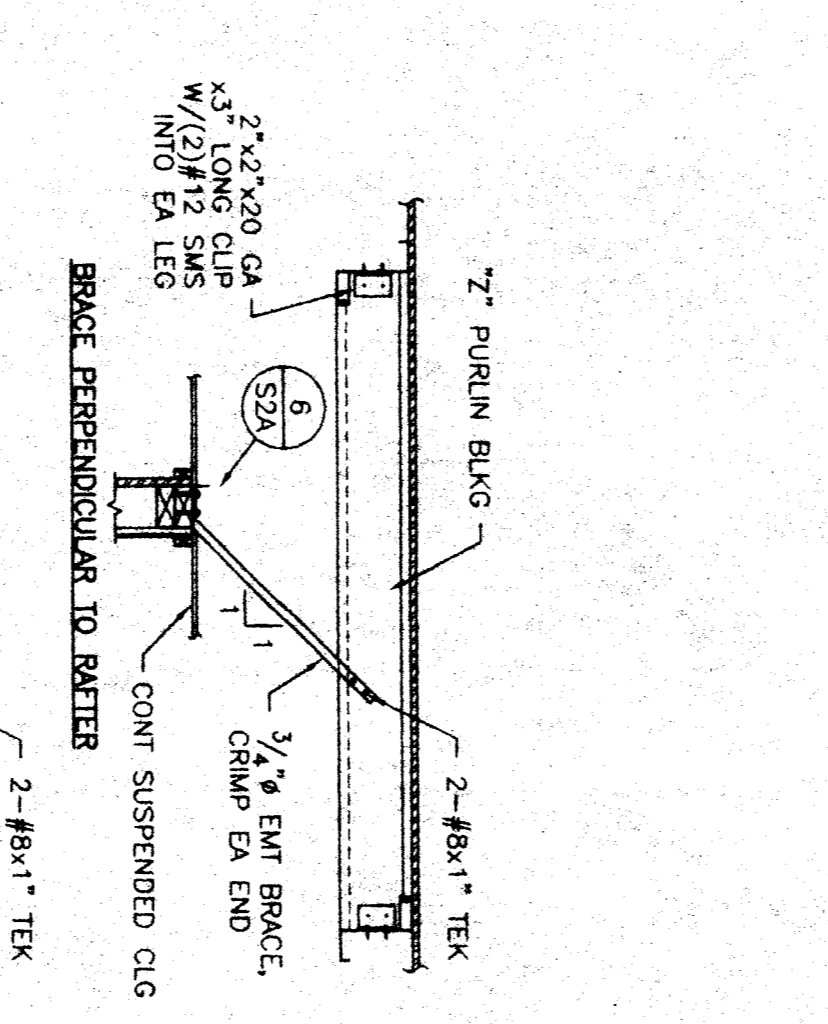
7 WALL FRAMING DETAIL  
1 1/2" = 1'-0"



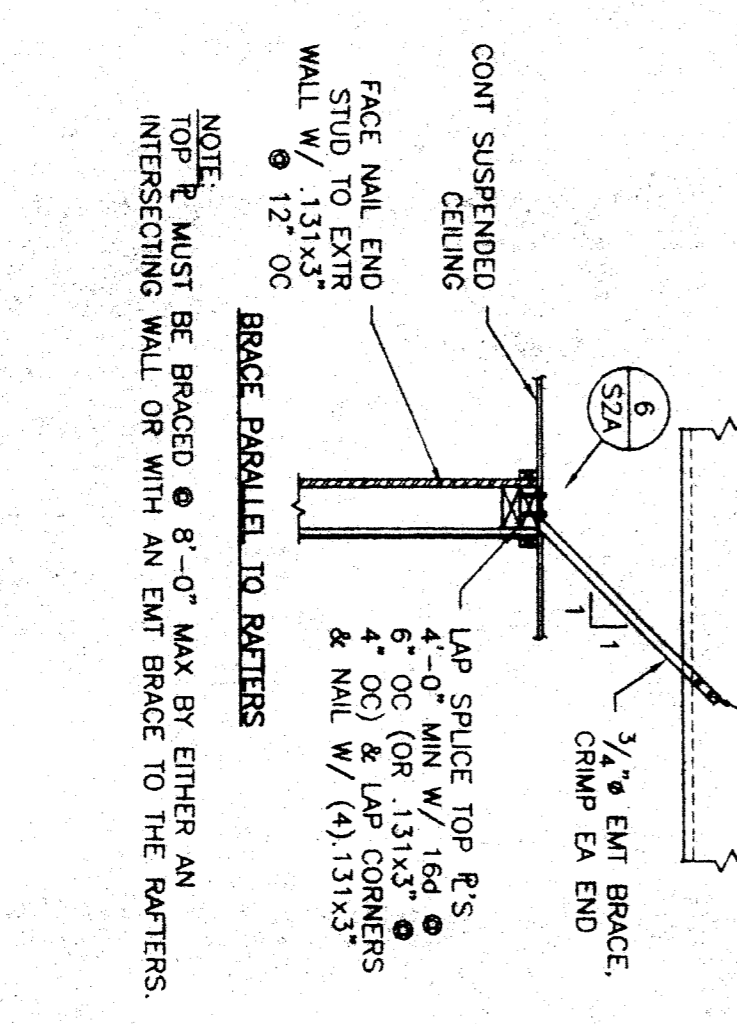
3 WALL FRAMING PLAN DETAIL  
1 1/2" = 1'-0"



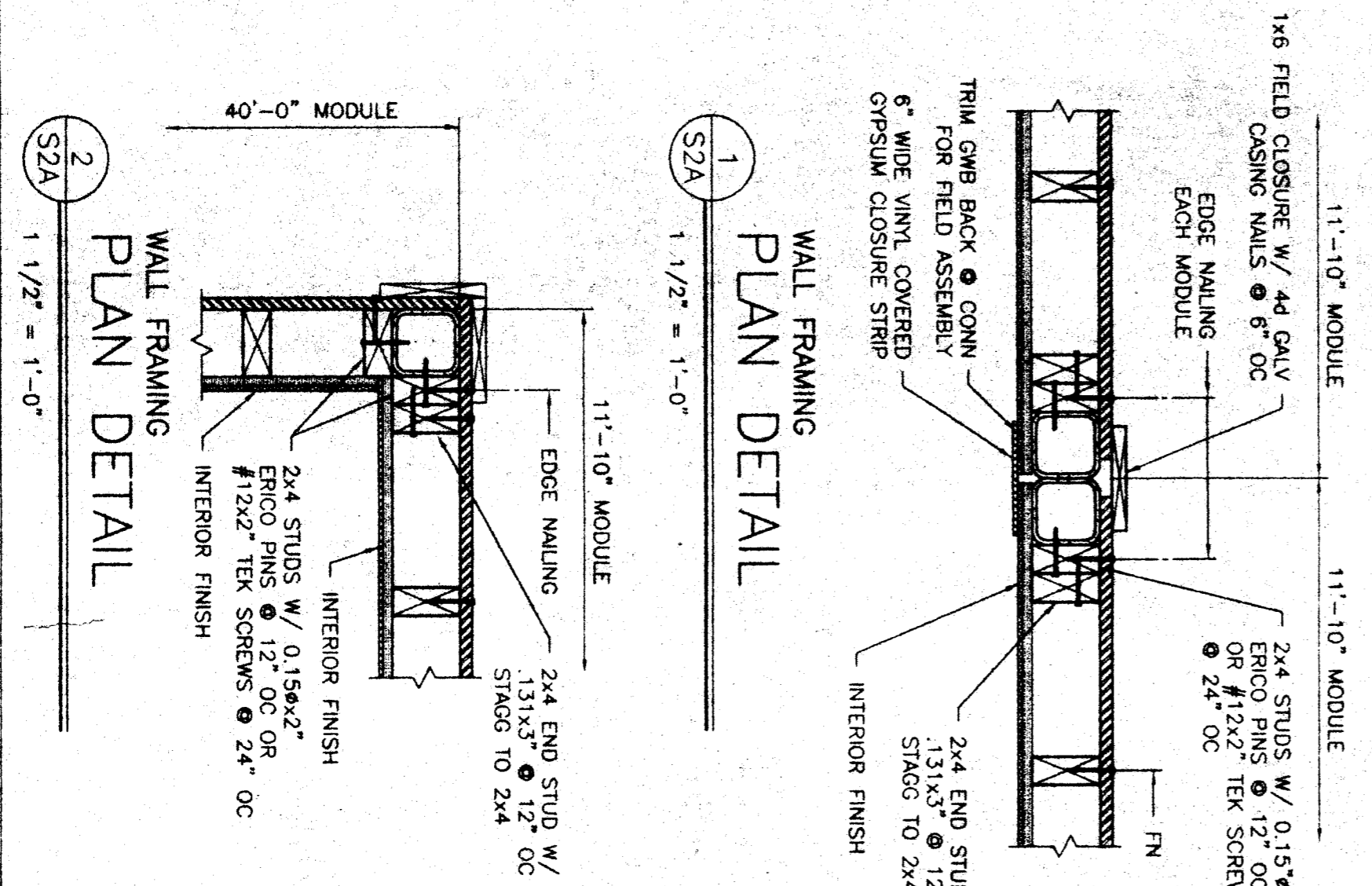
2 WALL FRAMING DETAIL  
1 1/2" = 1'-0"



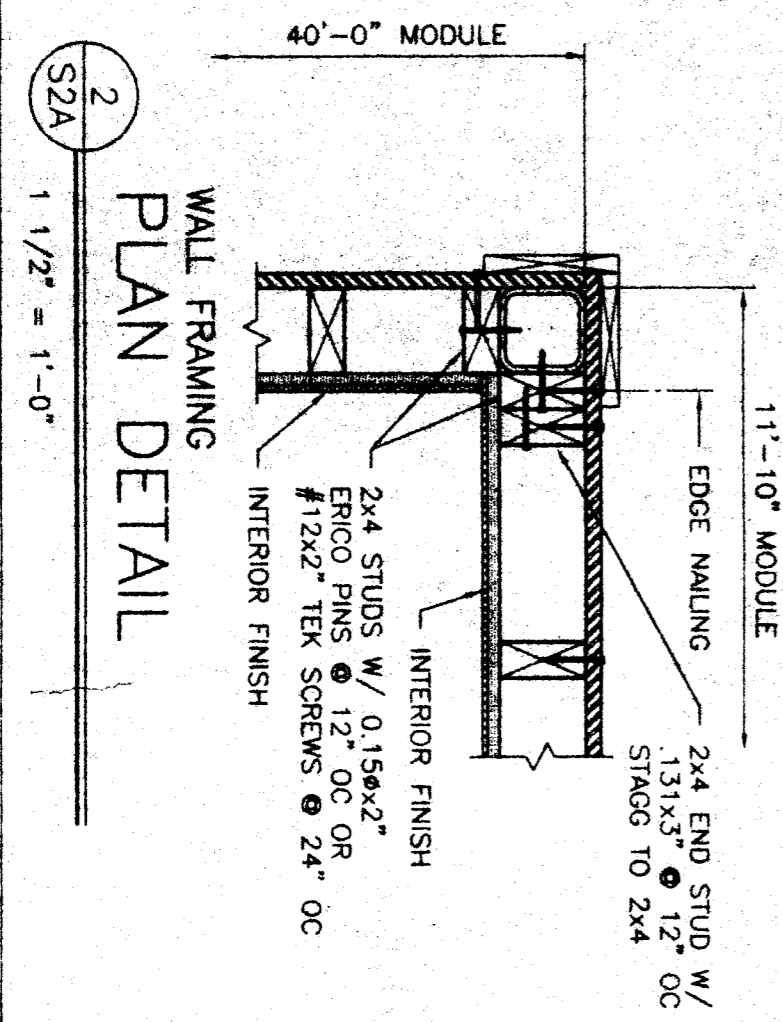
1 WALL FRAMING DETAIL  
NO SCALE



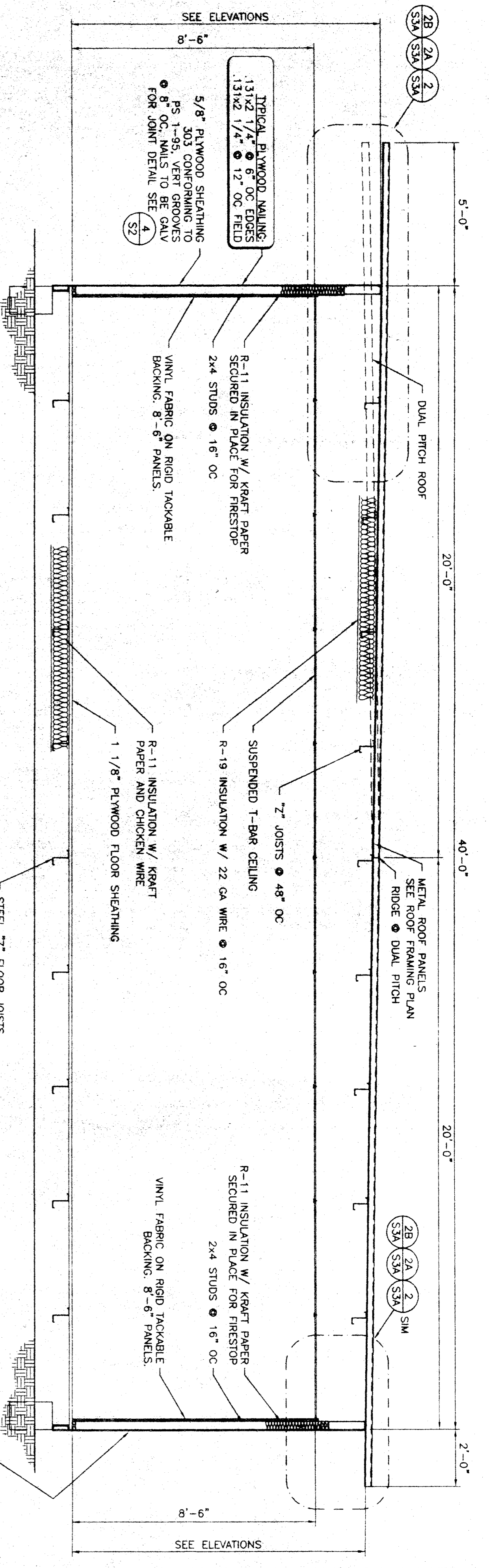
5 WALL FRAMING DETAIL  
NO SCALE



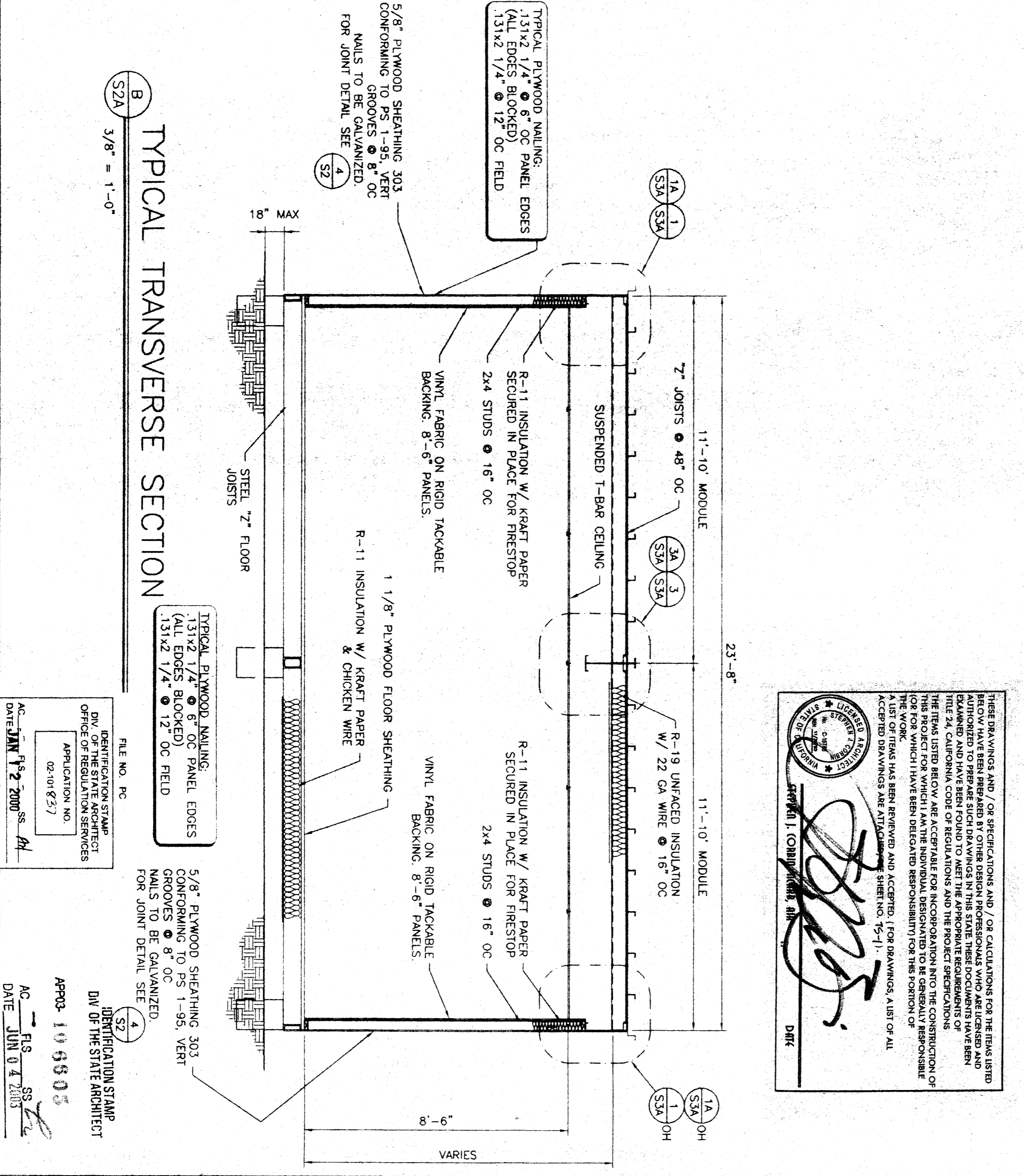
1 WALL FRAMING PLAN DETAIL  
1 1/2" = 1'-0"



2 WALL FRAMING PLAN DETAIL  
1 1/2" = 1'-0"



A TYPICAL LONGITUDINAL SECTION  
3/8" = 1'-0"



B TYPICAL TRANSVERSE SECTION  
3/8" = 1'-0"

THESE DRAWINGS AND / OR CALCULATIONS AND / OR CALCULATIONS FOR THE ITEMS LISTED BELOW HAVE BEEN PREPARED BY AN INDIVIDUAL OR FIRM WHOSE NAME AND ADDRESS ARE LISTED ON THESE DRAWINGS. THE INDIVIDUAL OR FIRM HAS AGREED TO BE RESPONSIBLE FOR THE ACCURACY OF THE INFORMATION CONTAINED HEREIN AND TO DEFEND, HOLD HARMLESS AND INDEMNIFY THE ARCHITECT AND ENGINEER FROM AND AGAINST ALL CLAIMS, DAMAGES, LOSSES AND EXPENSES, INCLUDING REASONABLE ATTORNEY'S FEES, THAT MAY BE ASSERTED AGAINST OR INCURRED BY THE ARCHITECT AND ENGINEER AS A RESULT OF THE NEGLIGENCE OR WILLFUL MISFEASANCE OF THE INDIVIDUAL OR FIRM. THE ARCHITECT AND ENGINEER'S RESPONSIBILITY IS LIMITED TO THE REVIEW OF THESE DRAWINGS AND CALCULATIONS FOR CONFORMANCE WITH THE PROFESSIONAL STANDARDS OF PRACTICE AND TO THE REVIEW OF THE INFORMATION CONTAINED HEREIN FOR CONFORMANCE WITH THE REQUIREMENTS OF THE BUILDING CODES AND REGULATIONS. THE ARCHITECT AND ENGINEER DOES NOT WARRANT OR GUARANTEE THE ACCURACY OF THE INFORMATION CONTAINED HEREIN OR THE RESULTS OF THE DESIGN OR CONSTRUCTION OF THE PROJECT. THE ARCHITECT AND ENGINEER SHALL NOT BE RESPONSIBLE FOR THE DESIGN OR CONSTRUCTION OF THE PROJECT OR FOR ANY CLAIMS, DAMAGES, LOSSES AND EXPENSES, INCLUDING REASONABLE ATTORNEY'S FEES, THAT MAY BE ASSERTED AGAINST OR INCURRED BY THE ARCHITECT AND ENGINEER AS A RESULT OF THE NEGLIGENCE OR WILLFUL MISFEASANCE OF THE INDIVIDUAL OR FIRM. THE ARCHITECT AND ENGINEER'S RESPONSIBILITY IS LIMITED TO THE REVIEW OF THESE DRAWINGS AND CALCULATIONS FOR CONFORMANCE WITH THE PROFESSIONAL STANDARDS OF PRACTICE AND TO THE REVIEW OF THE INFORMATION CONTAINED HEREIN FOR CONFORMANCE WITH THE REQUIREMENTS OF THE BUILDING CODES AND REGULATIONS.

DATE: 10/25/99

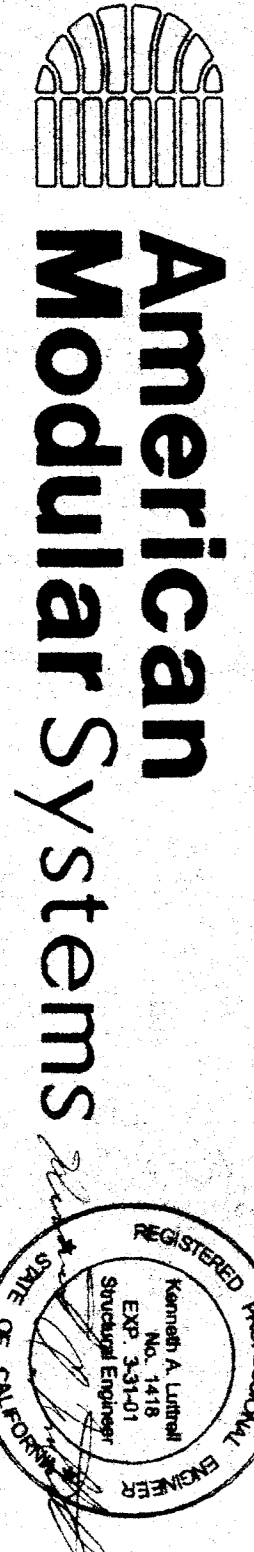
IDENTIFICATION STAMP  
DIV. OF THE STATE ARCHITECT  
OFFICE OF REGULATION SERVICES  
APPLICATION NO. 02-01(823)  
DATE: JAN 12 2000

IDENTIFICATION STAMP  
DIV. OF THE STATE ARCHITECT  
OFFICE OF REGULATION SERVICES  
APPLICATION NO. 02-01(823)  
DATE: JAN 12 2000

NO.	DATE	DESCRIPTION

DATE: 12/27/99  
SCALE: AS NOTED  
DRAWN BY: PND  
DESIGNED BY: MBB  
CHECKED BY: KAL  
SERIAL NO.  

CUSTOMER:  



24 x 40  
RELOCATABLE  
CLASSROOM

BUILDING SECTIONS  
AND WALL DETAILS

PROJECT NO. 99100  
SHEET NO. S2A