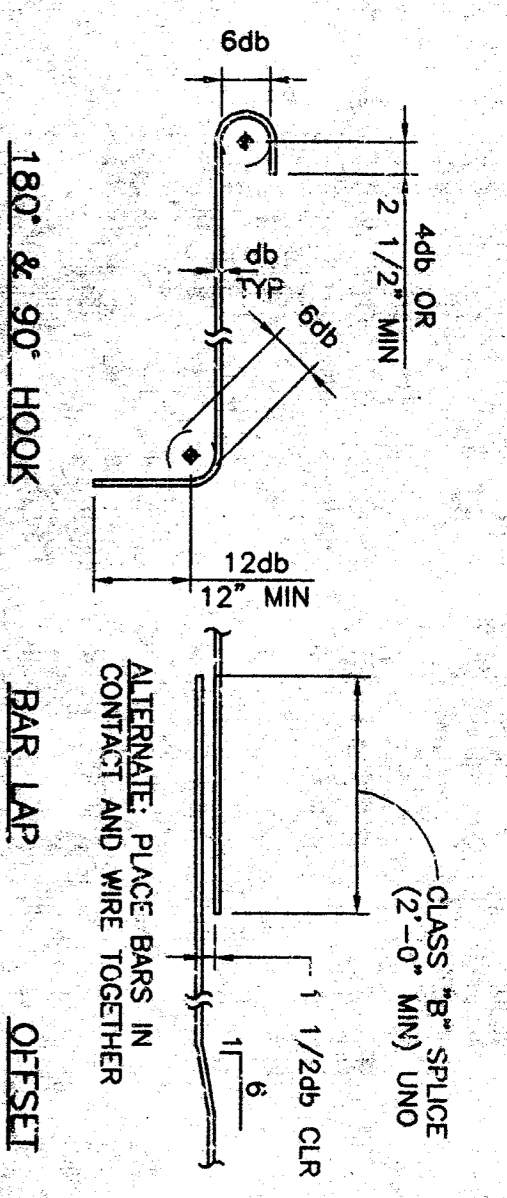


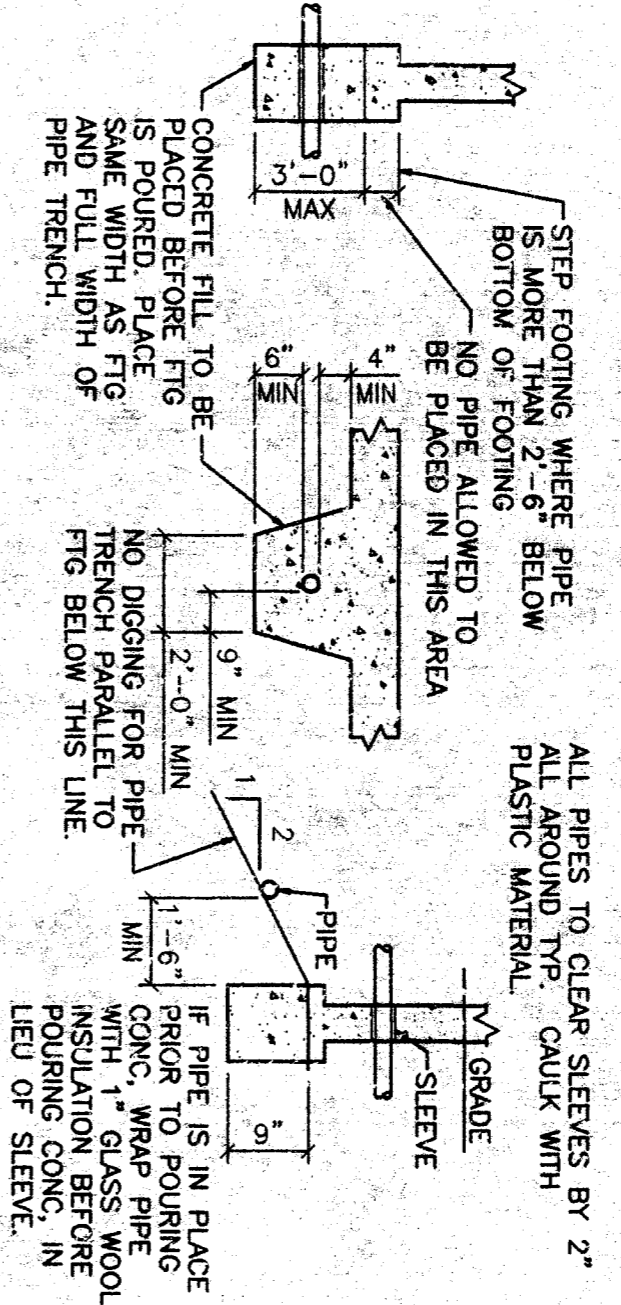
ANCHOR TYPE	HILLI KWIK BOLT II ICBO # 4827
MATERIAL	NEW CONCRETE FC - 2000 PSI
ANCHOR SIZE (IN)	1/2" 3/8"
MIN EMBED (IN)	3 1/2" 4"
TENSION TEST (LB)	2800# 3490#
TORQUE TEST (FT-LB)	50 50

* TENSION TEST - 1.8 x ALLOWABLE TENSILE
LOAD PER IR 19-1

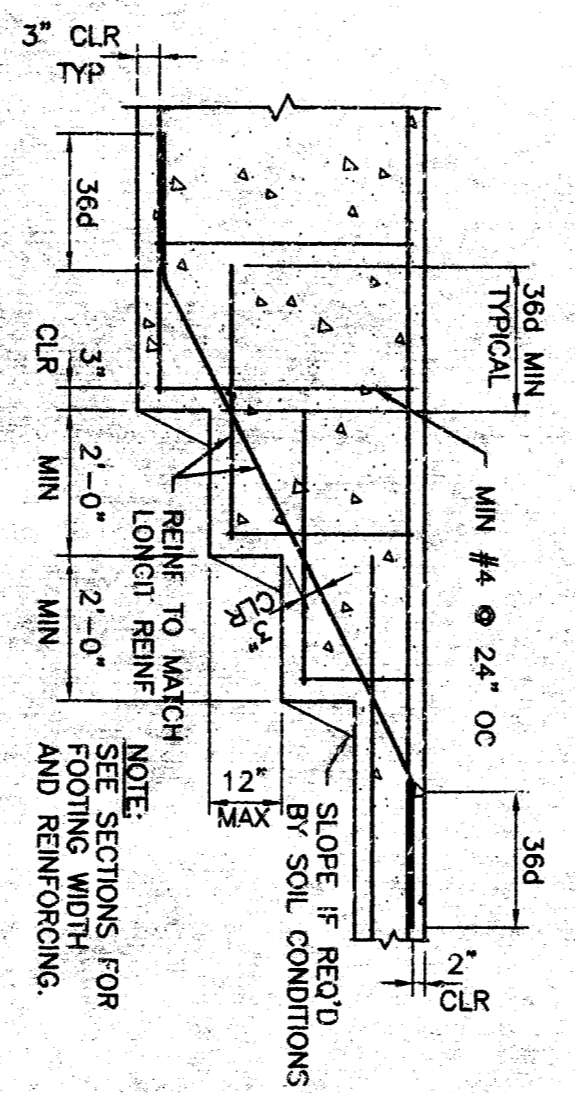
12 ANCHOR BOLT SCHEDULE
DETAIL
NO SCALE



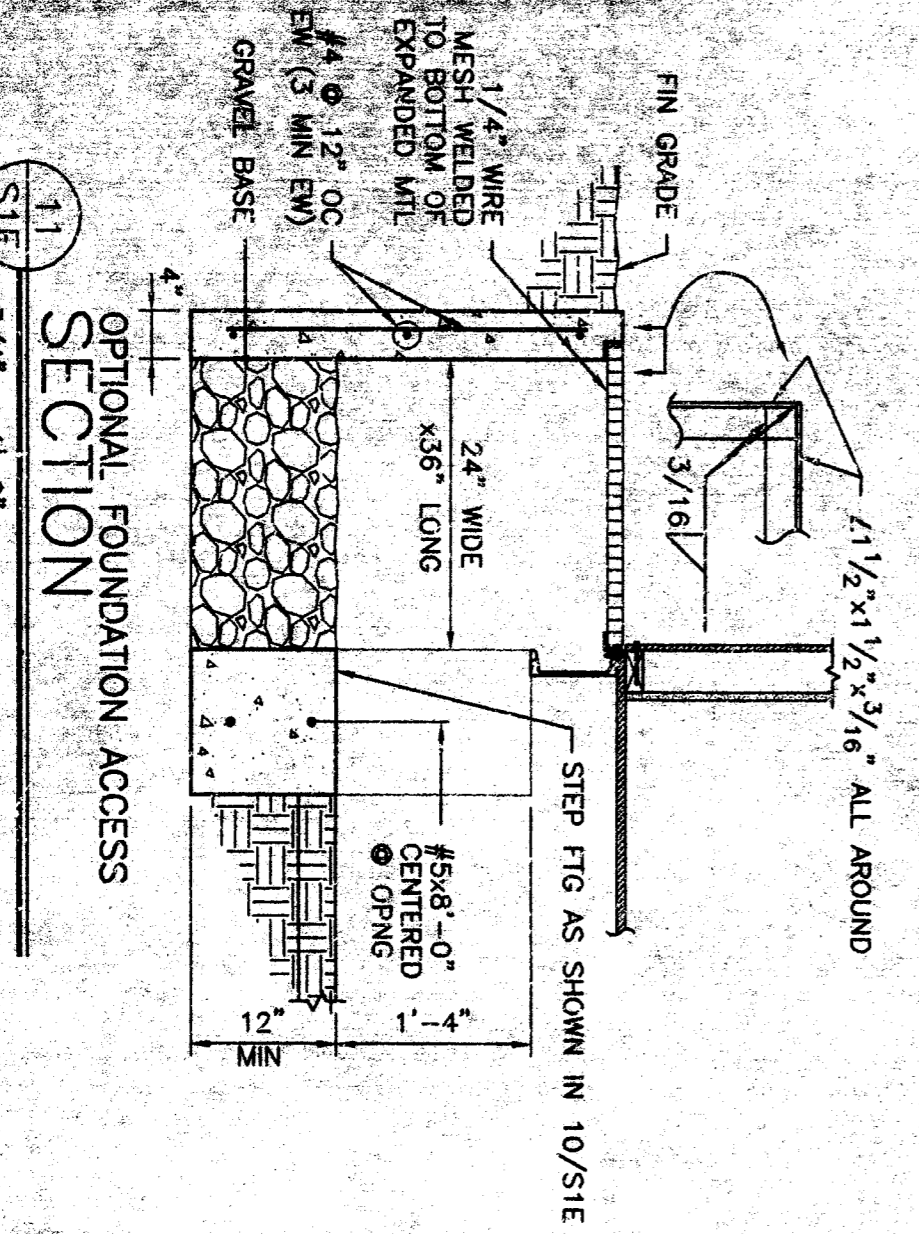
8 TYPICAL REINFORCING BENDS
DETAIL
1" = 1'-0"



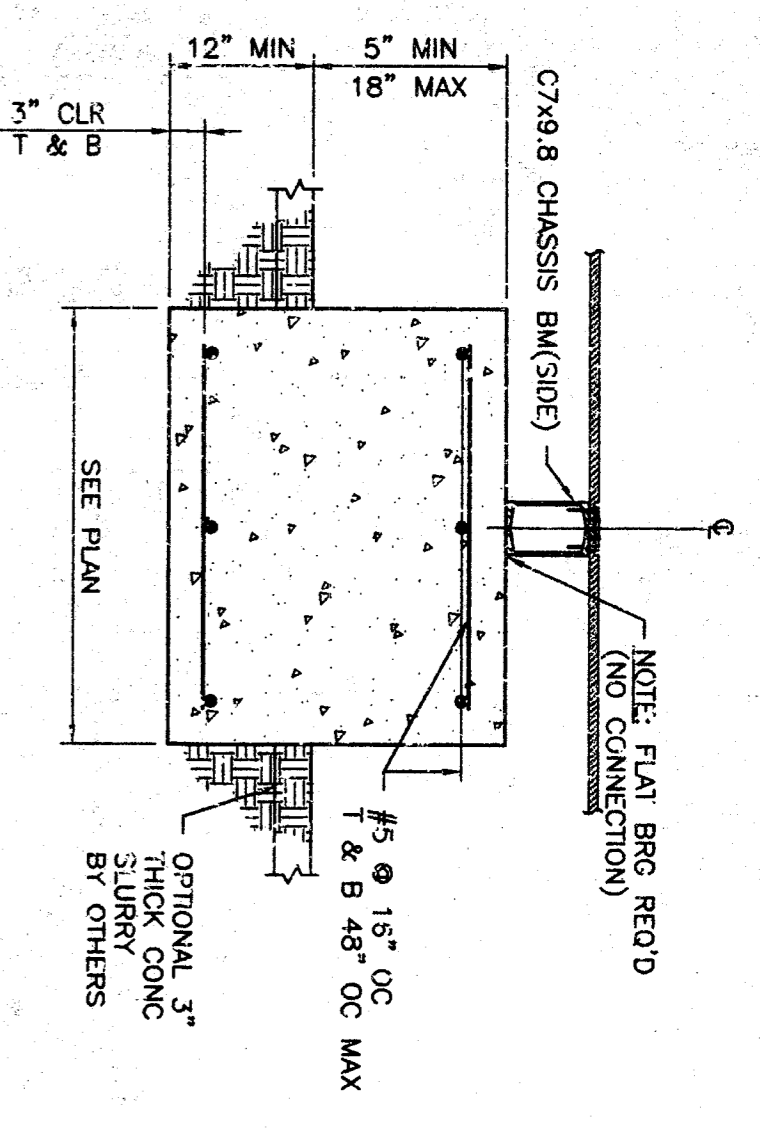
9 PIPE SLEEVE DETAIL
DETAIL
1/2" = 1'-0"



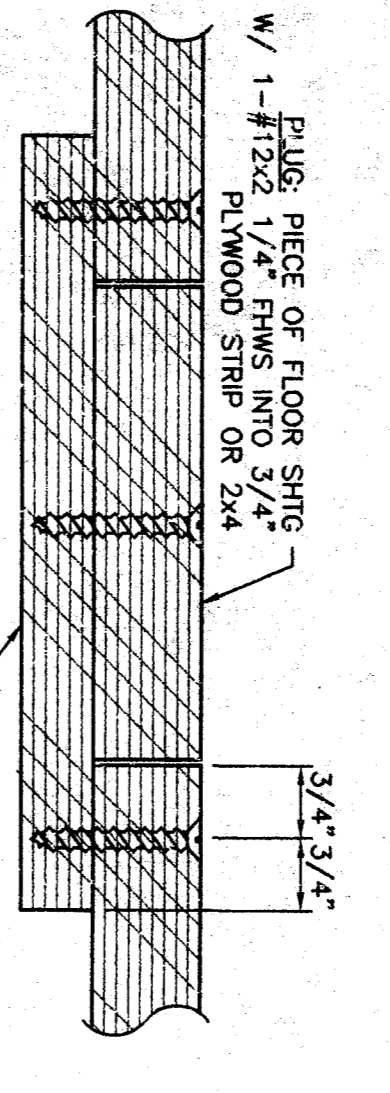
10 STEPPED FOOTING DETAIL
DETAIL
3/8" = 1'-0"



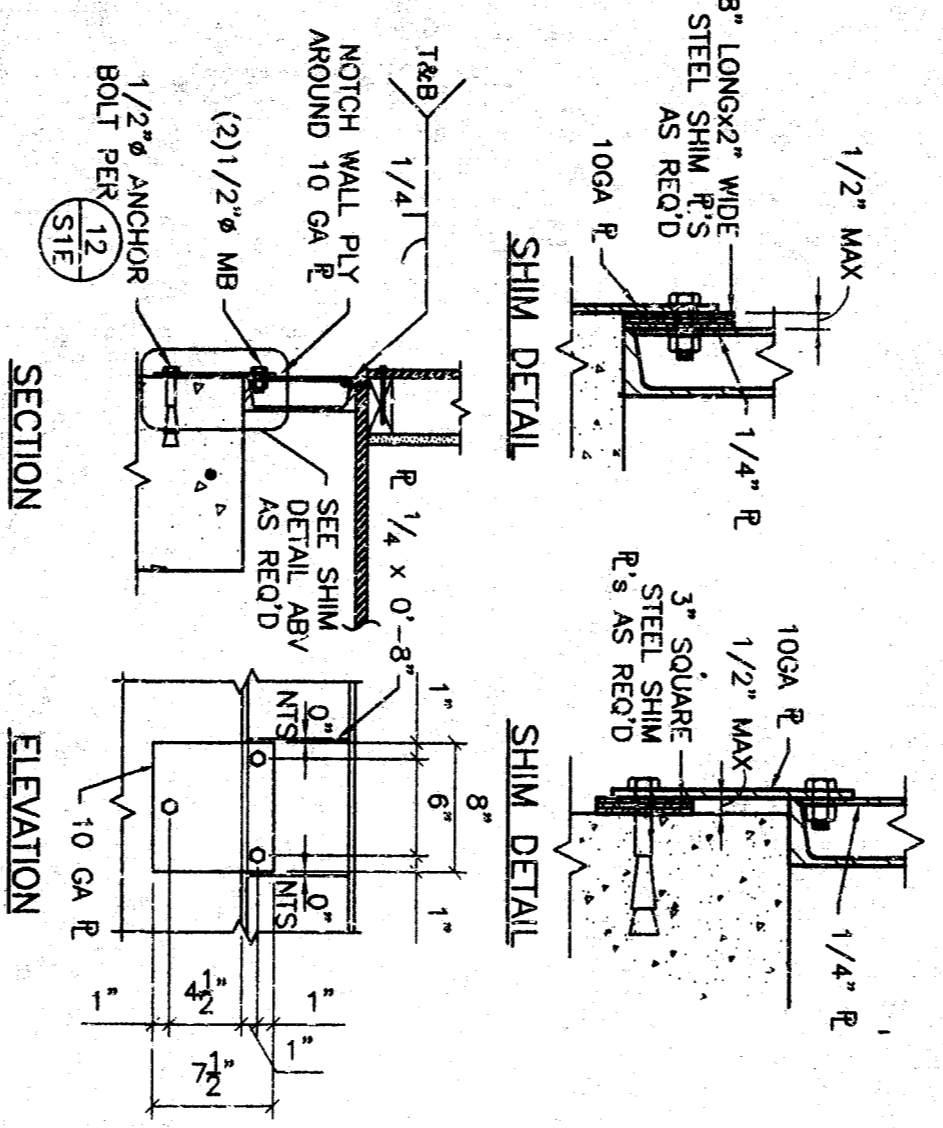
11 OPTIONAL FOUNDATION ACCESS SECTION
SECTION
3/4" = 1'-0"



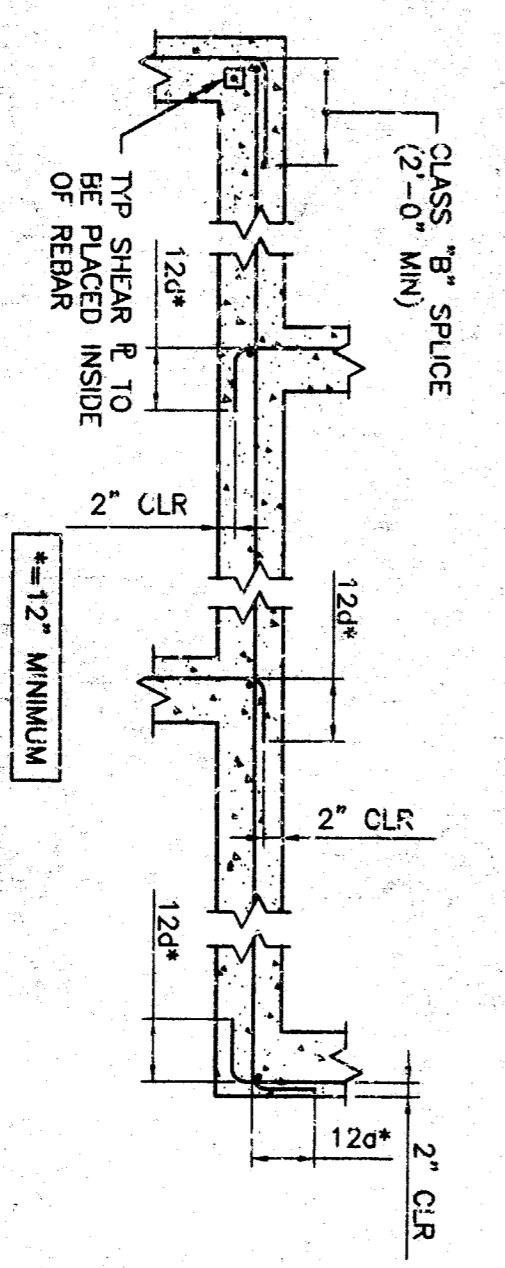
4 SECTION
SECTION
3/4" = 1'-0"



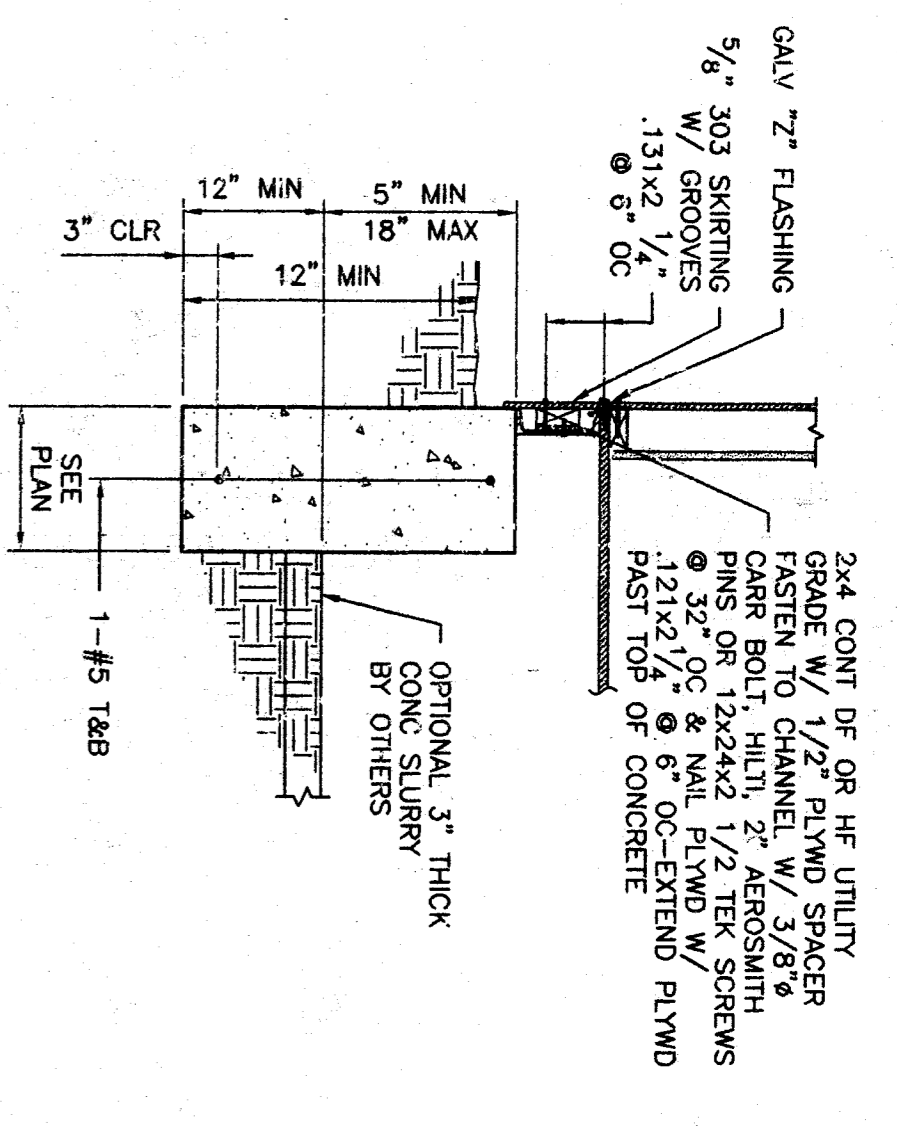
5 FILLER ACCESS HOLE DETAIL
DETAIL
NO SCALE



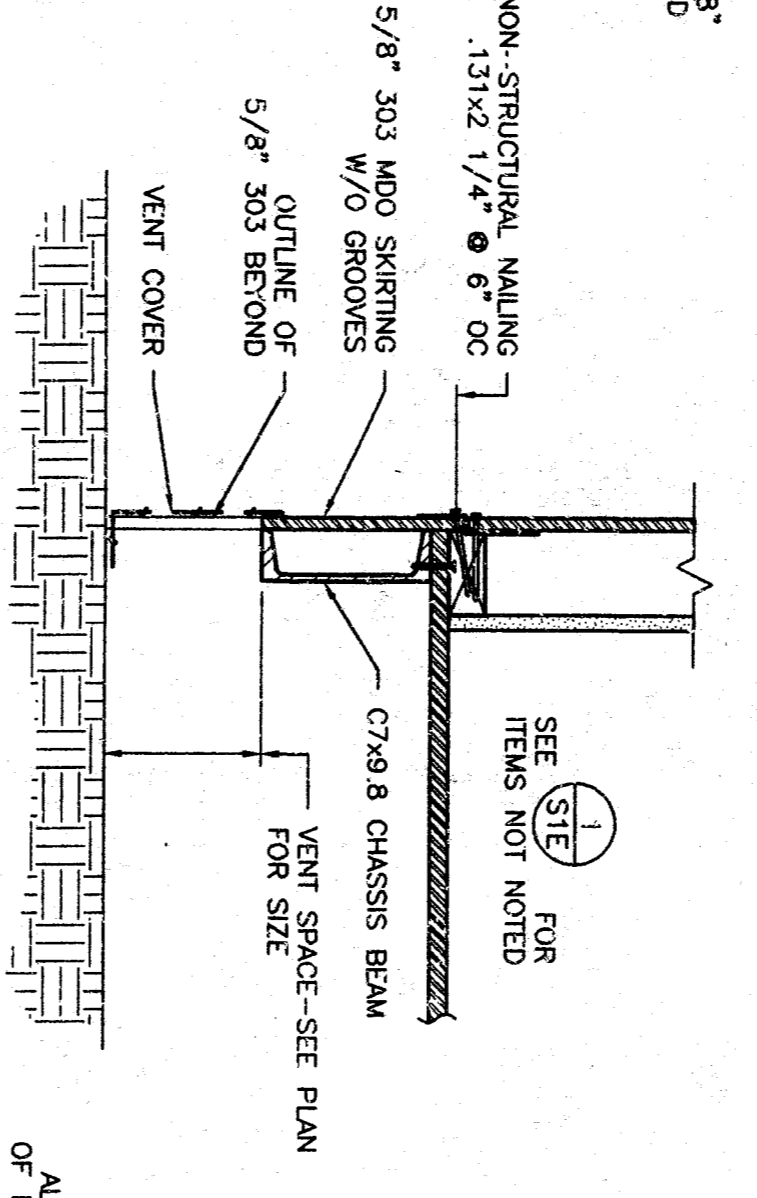
6 ALTERNATE SHEAR PLATE DETAIL
DETAIL
1" = 1'-0"



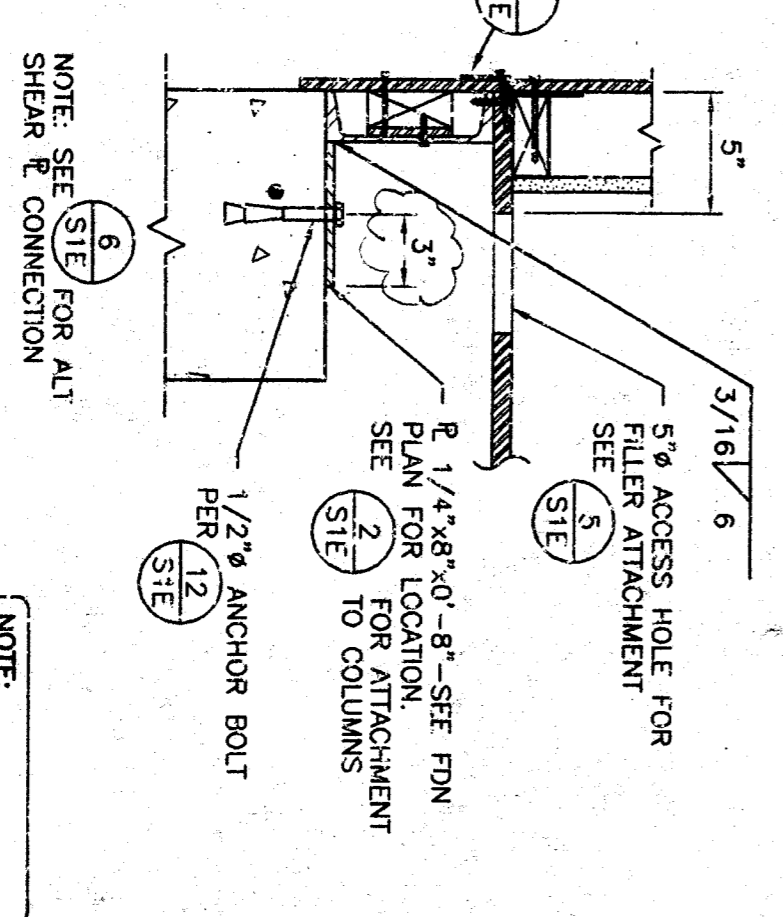
7 TYP WALL & FTG REINF SPLICES DETAIL
DETAIL
NO SCALE



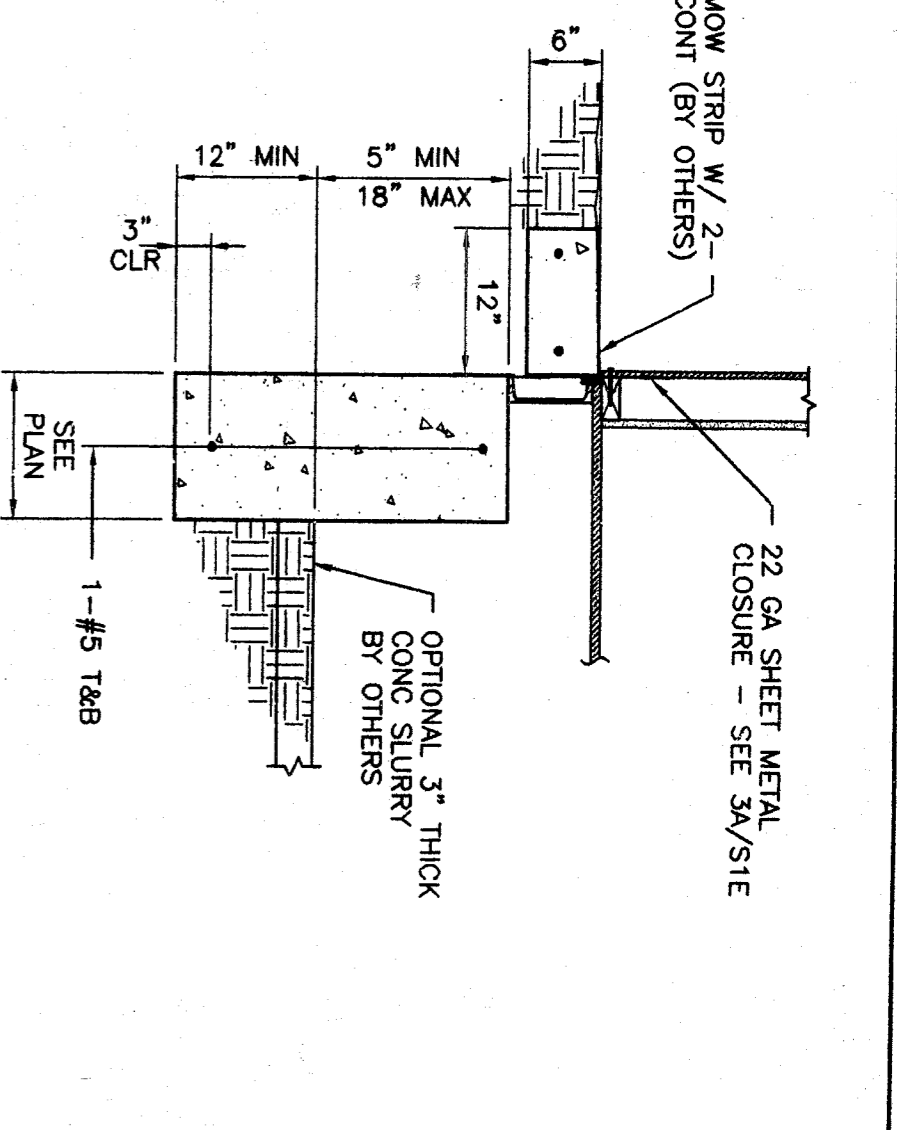
1 ABOVE GRADE SECTION
SECTION
3/4" = 1'-0"



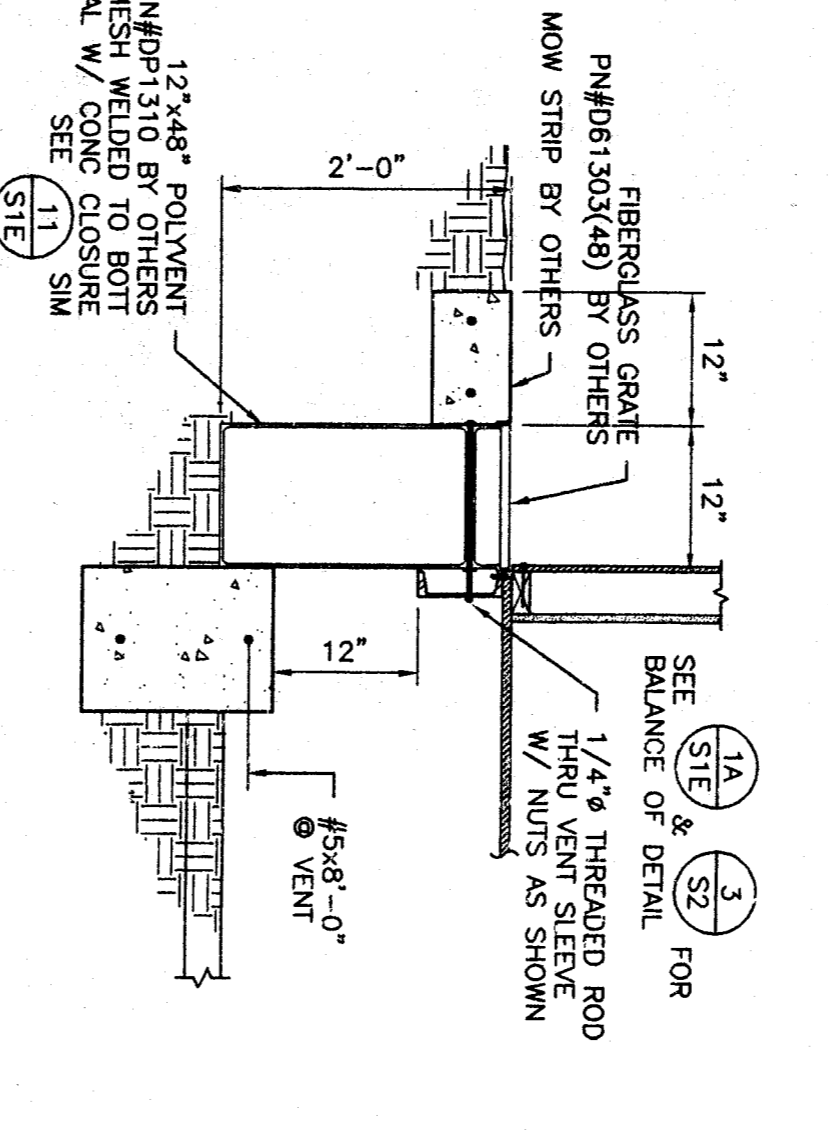
2 ABOVE GRADE DETAIL
DETAIL
1 1/2" = 1'-0"



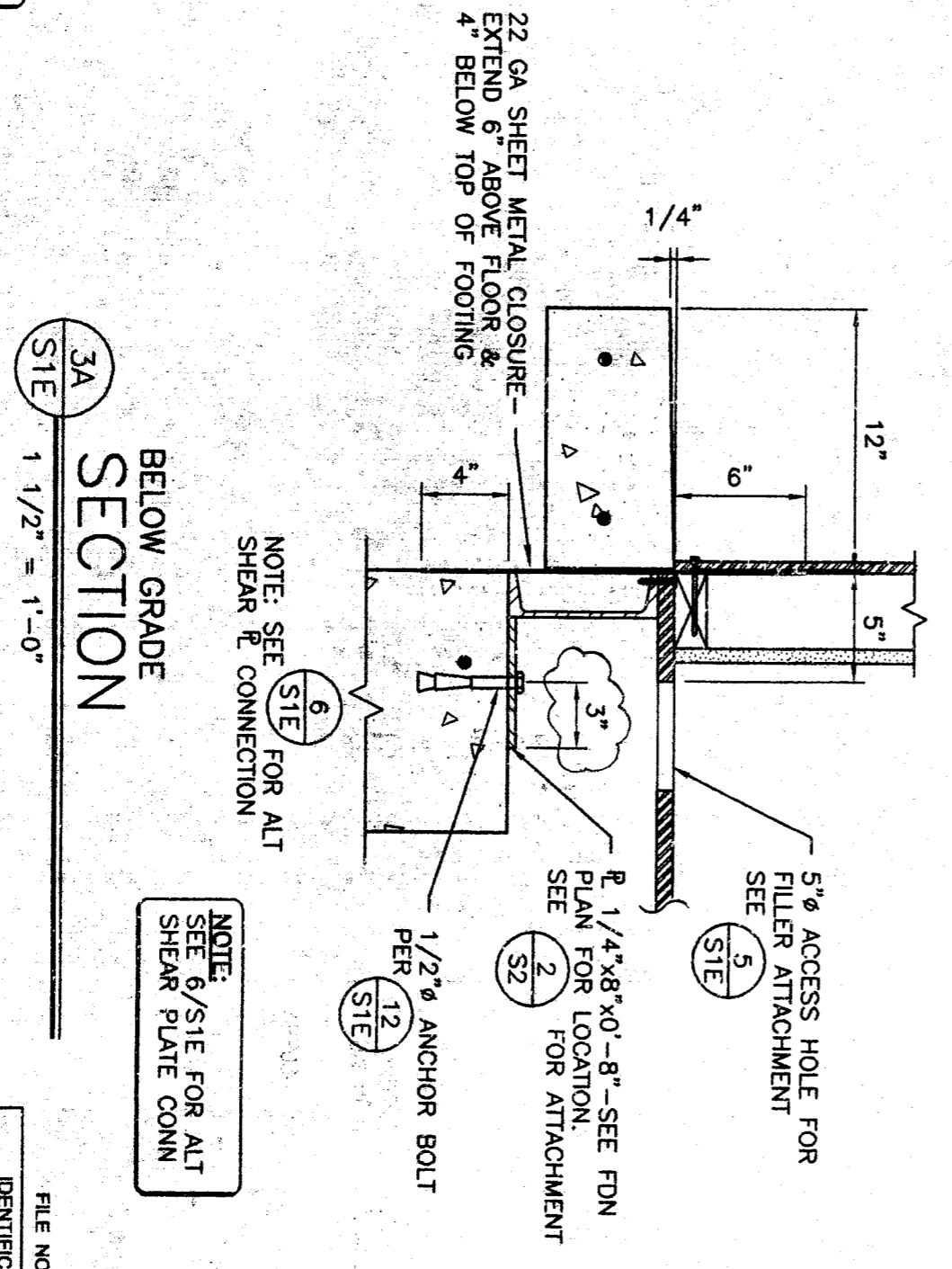
3 ABOVE GRADE SECTION
SECTION
1 1/2" = 1'-0"



1A BELOW GRADE SECTION
SECTION
3/4" = 1'-0"



2A BELOW GRADE DETAIL
DETAIL
3/4" = 1'-0"



3A BELOW GRADE SECTION
SECTION
1 1/2" = 1'-0"

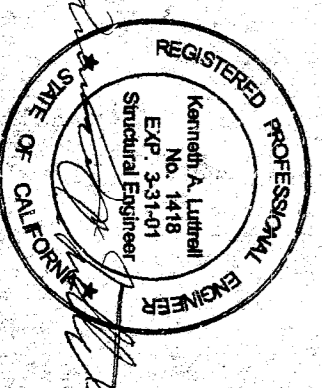
These drawings are for informational purposes only and do not constitute a contract. The user of these drawings is responsible for obtaining all necessary permits and approvals. The user of these drawings is also responsible for obtaining all necessary information regarding the project and the site conditions. The user of these drawings is also responsible for obtaining all necessary information regarding the project and the site conditions. The user of these drawings is also responsible for obtaining all necessary information regarding the project and the site conditions.

REVISIONS

NO	DATE	DESCRIPTION

24 x 40
RELOCATABLE
CLASSROOM

American Modular Systems



REGISTERED PROFESSIONAL ENGINEER
No. 1418
State of California

CUSTOMER:
FOUNDATION DETAILS

DATE: 12/27/99
SCALE: AS NOTED
DRAWN BY: PWD
DESIGNED BY: MJB
CHECKED BY: KAL
SERIAL NO.

PROJECT NO. 99100
SHEET NO. S1E

REGISTRATION STAMP
DIV. OF THE STATE ARCHITECT
OFFICE OF REGULATION SERVICES
APPLICATION NO. 02-01-8737
DATE: JAN 12 2000