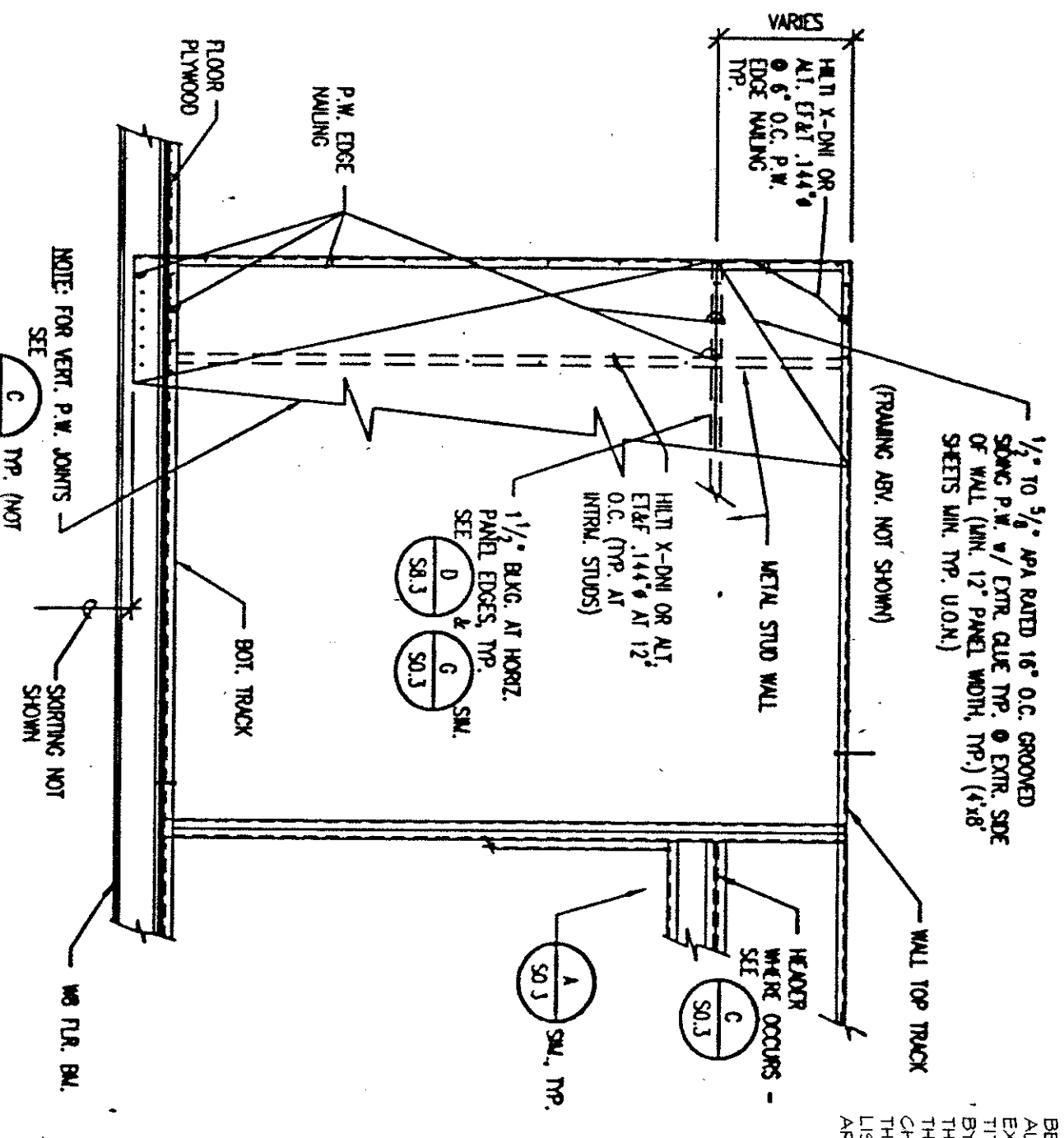
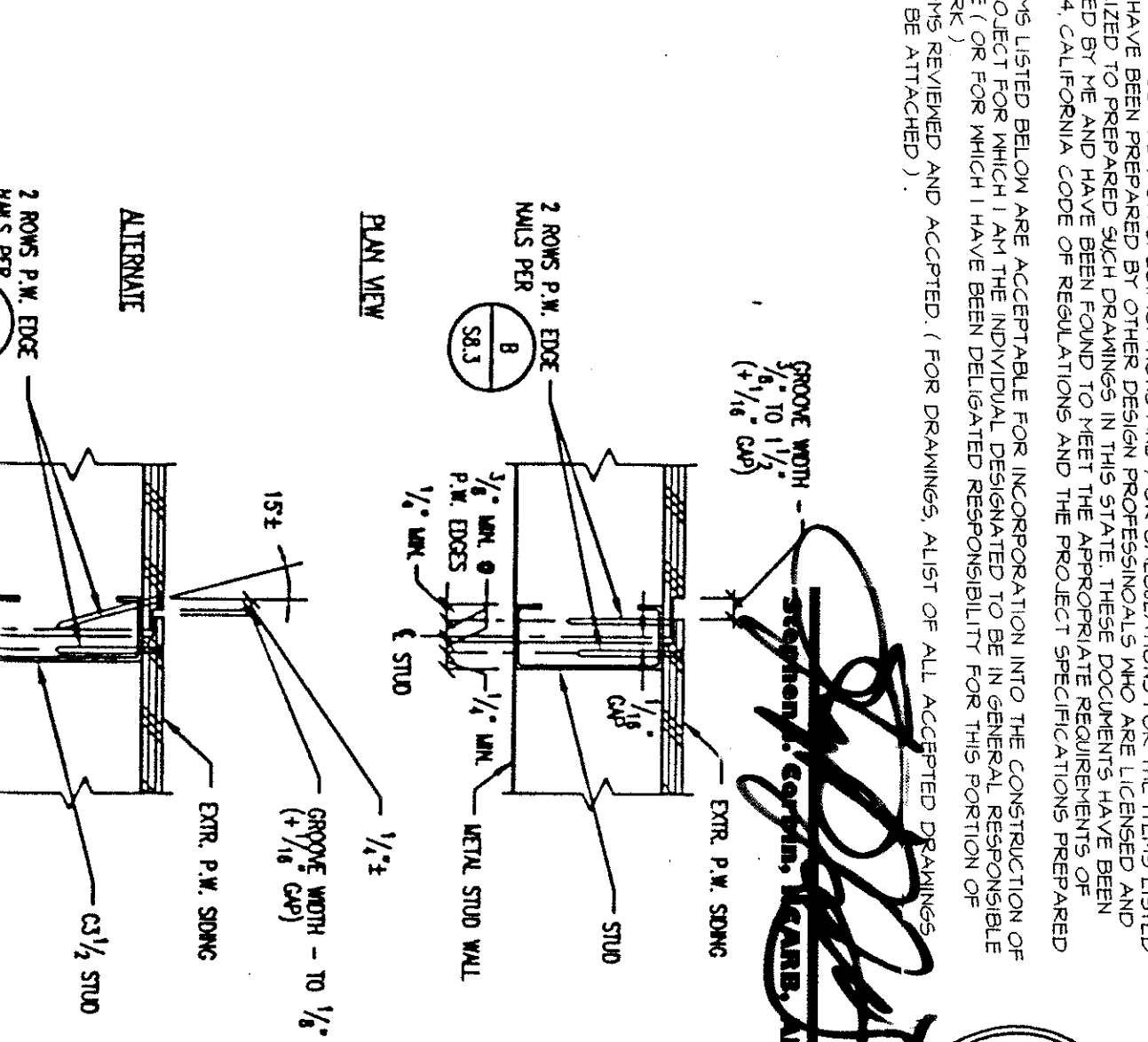


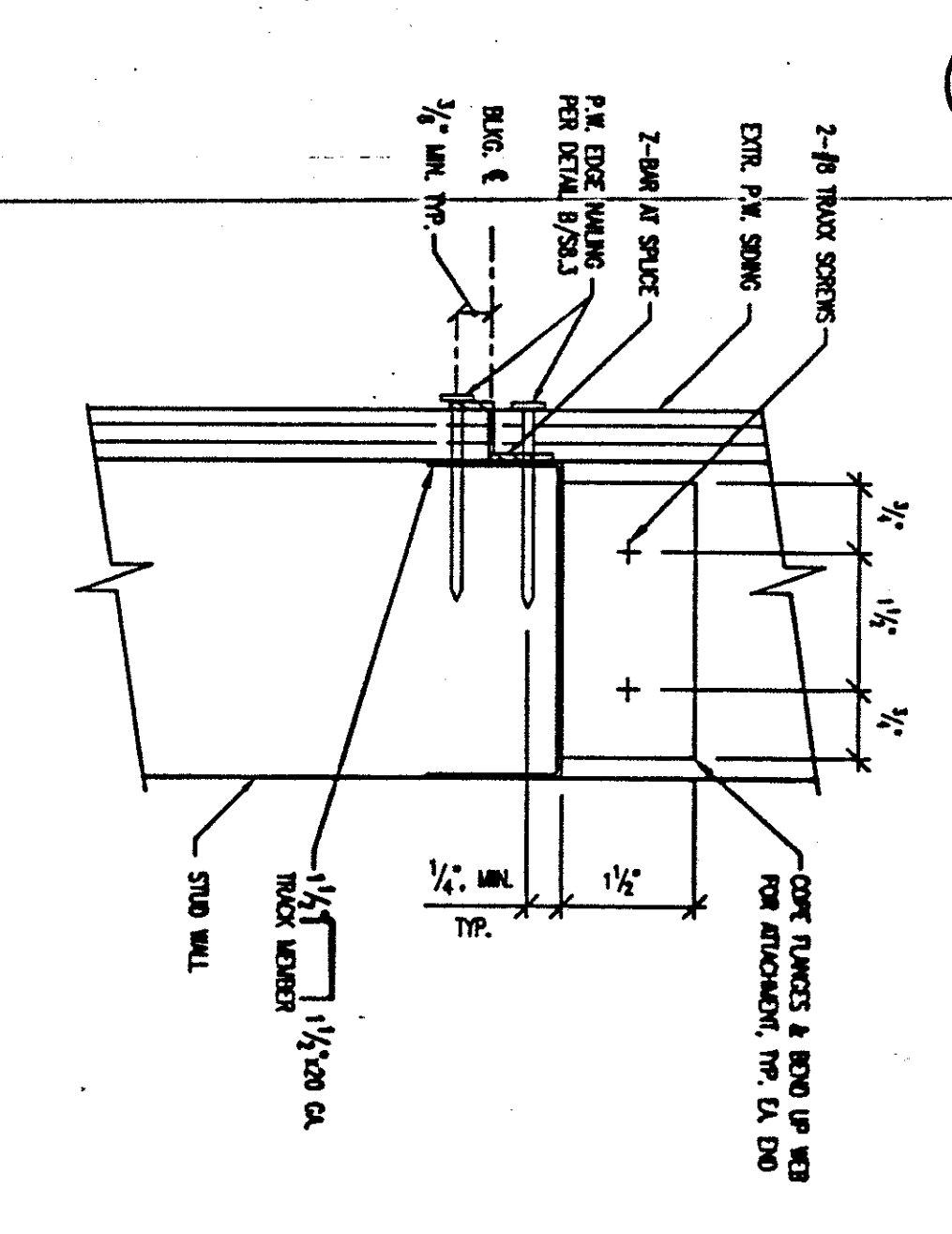
ADDITIONAL TYP. METAL STUD WALL DETAILS



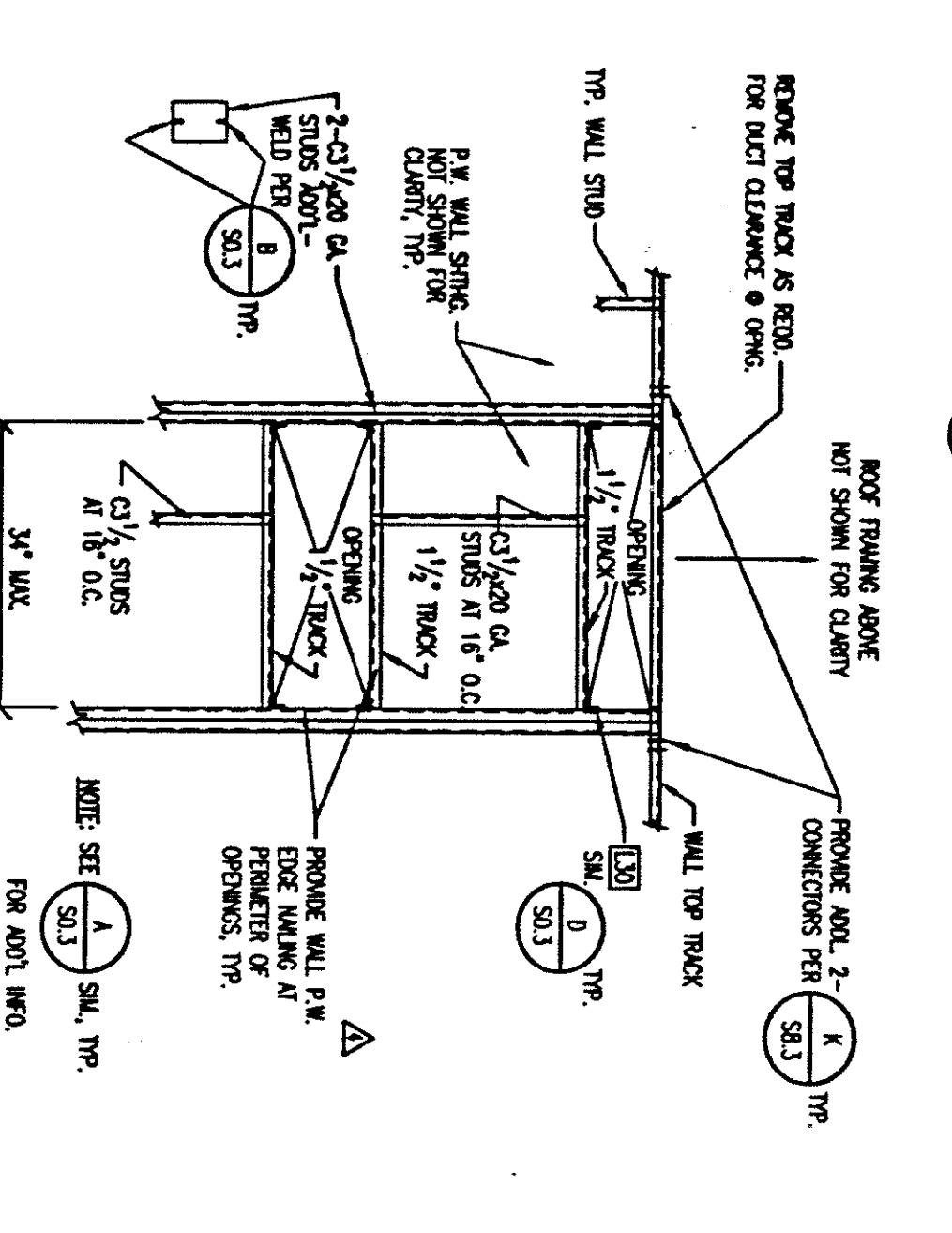
TYP. DET. - EXTR. METAL STUD WALL P.W. SHEATHING



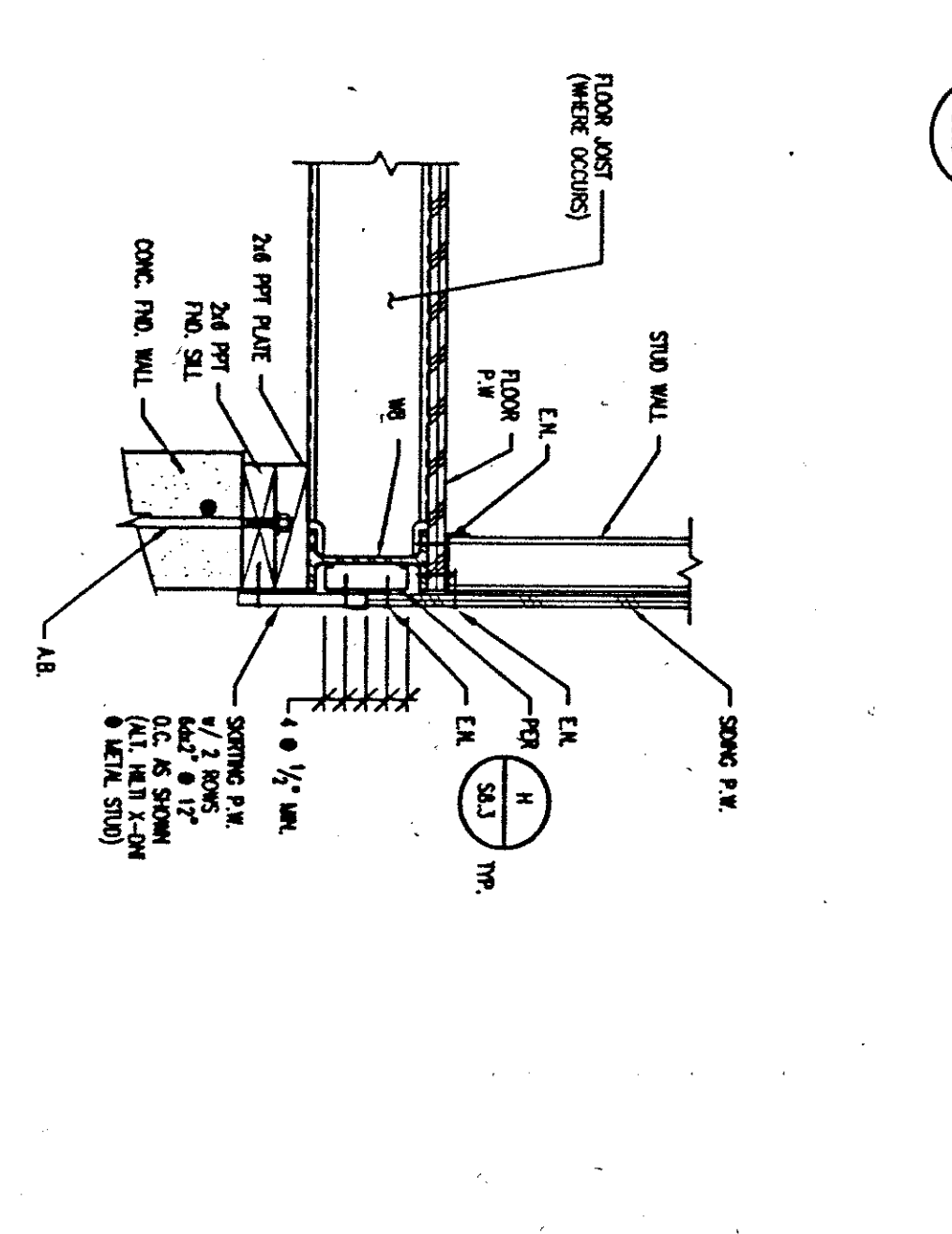
TYP. DET. - VERTICAL P.W. JOINT @ METAL STUD WALL



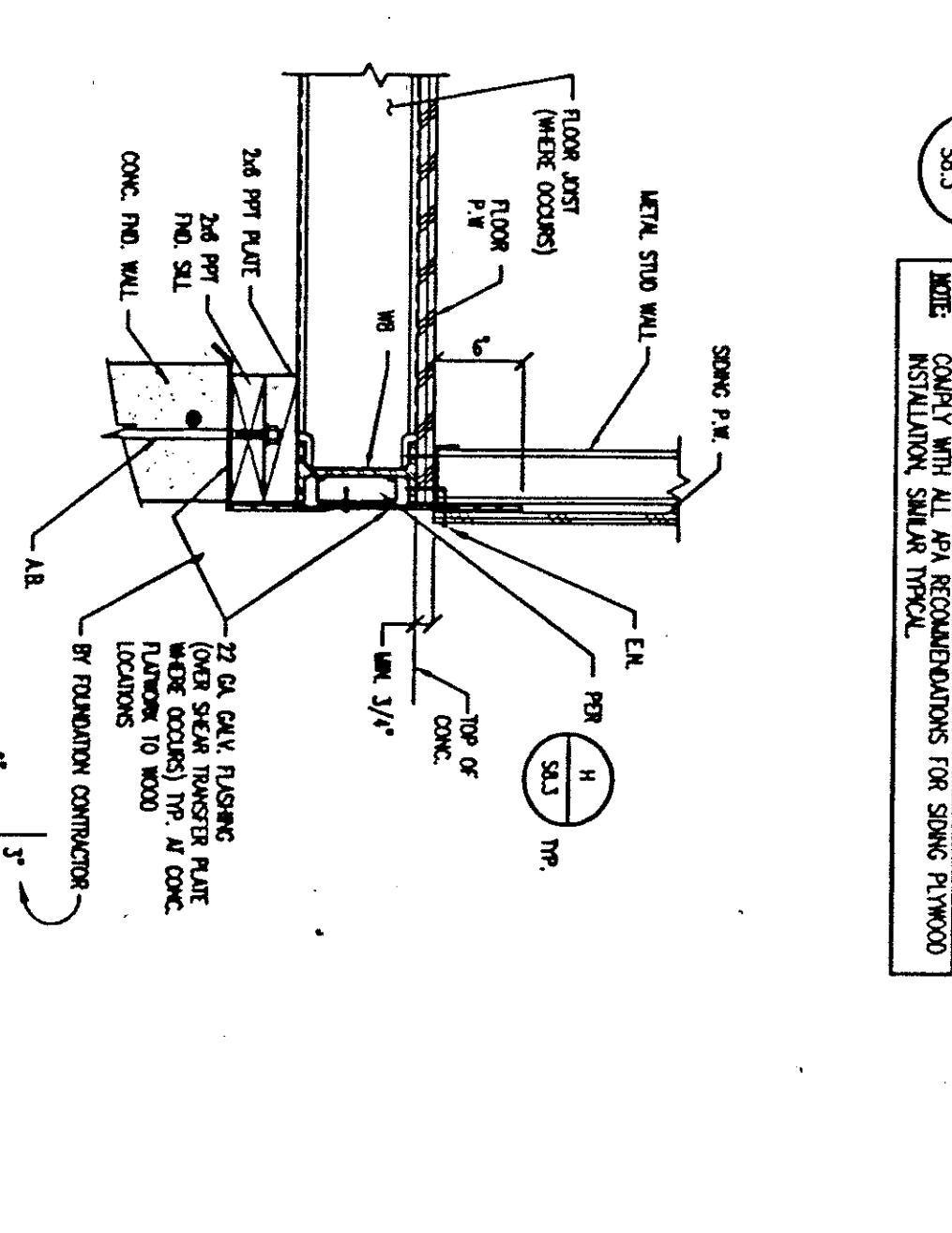
TYP. DET. - HORIZ. P.W. JOINT @ METAL STUD WALL



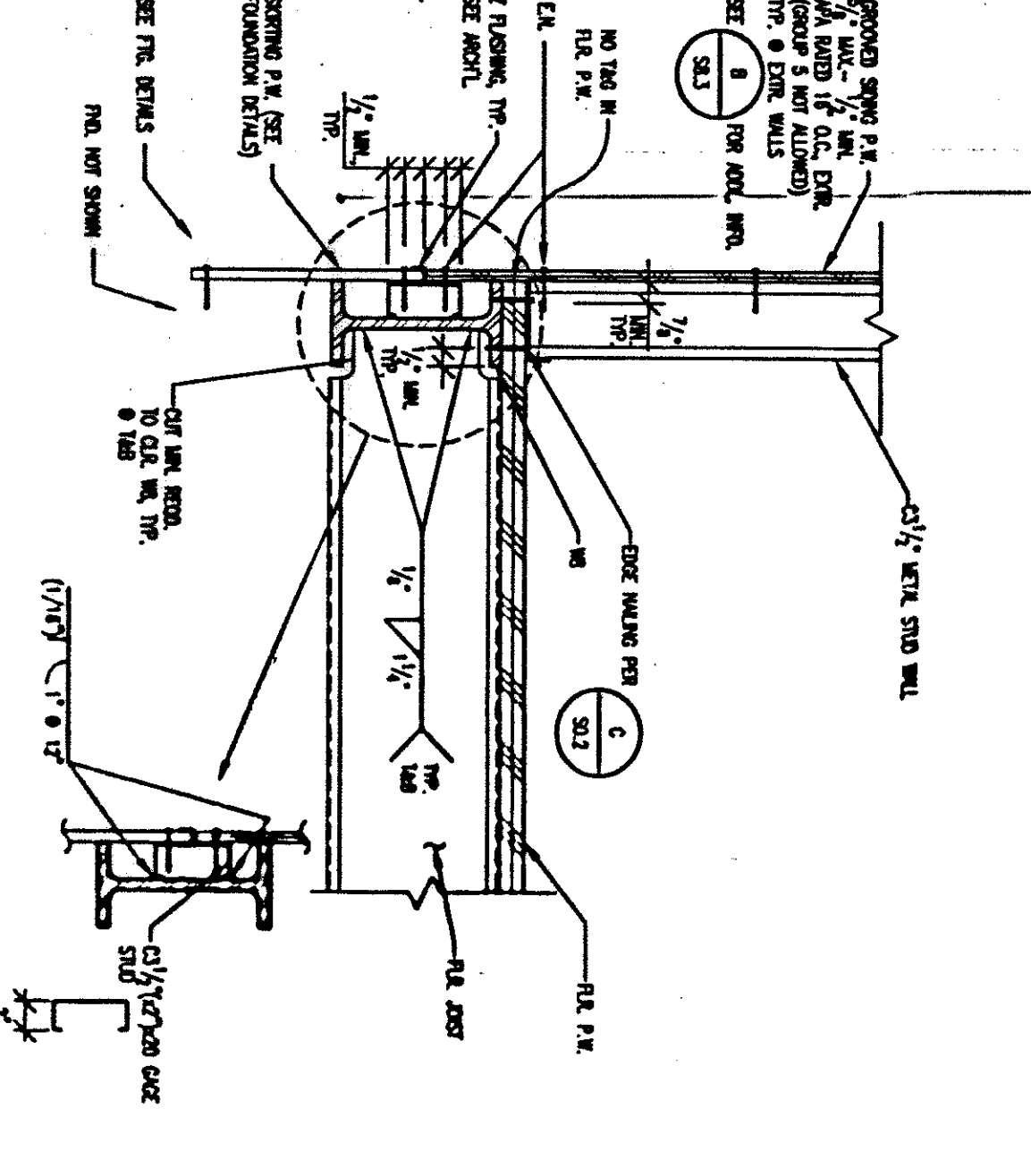
TYP. HVAC FRAMING DET. @ METAL STUD WALL



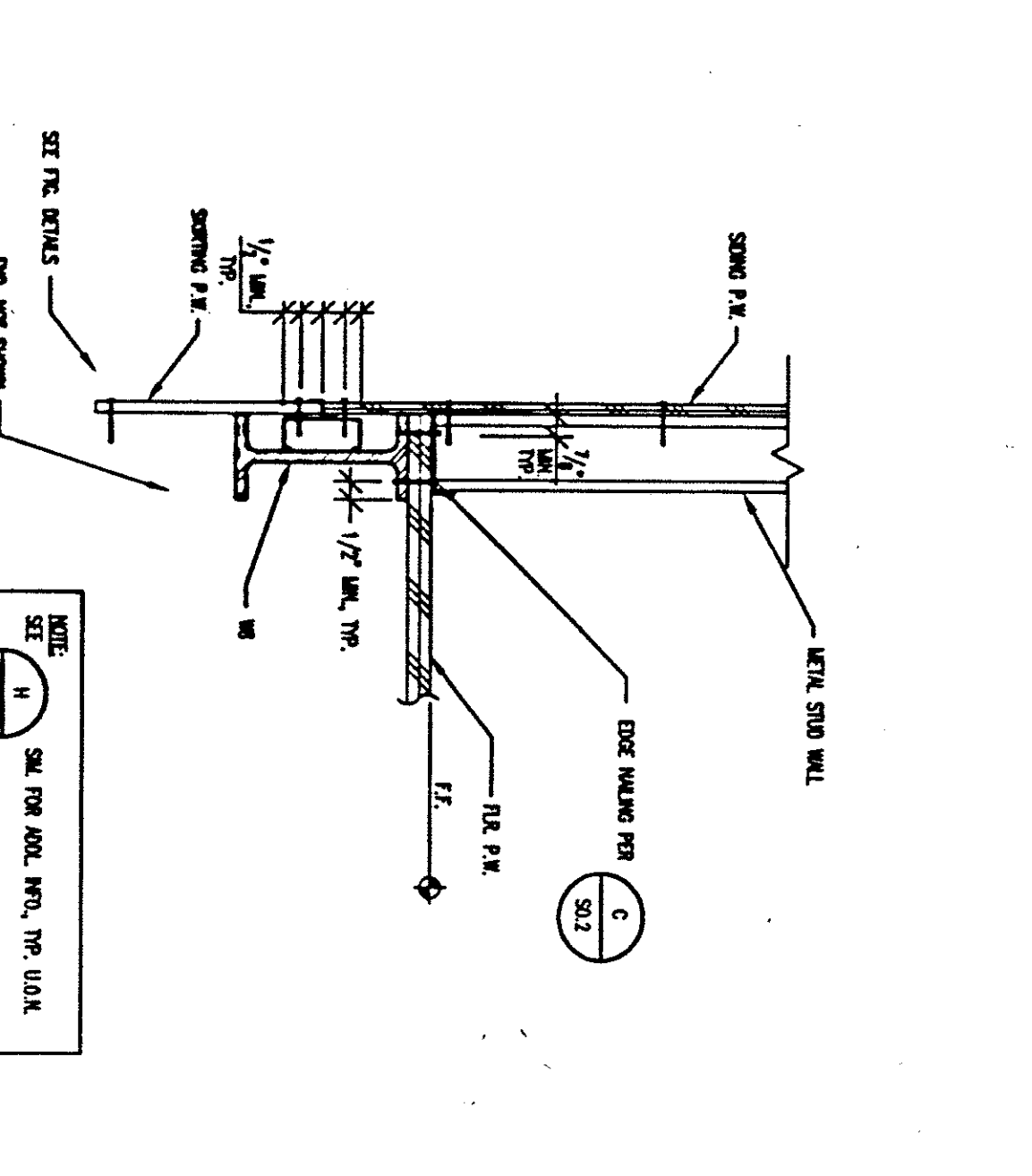
TYP. DET. - TYPICAL SPRINTING @ CONC. FND. W/ METAL STUD WALLS



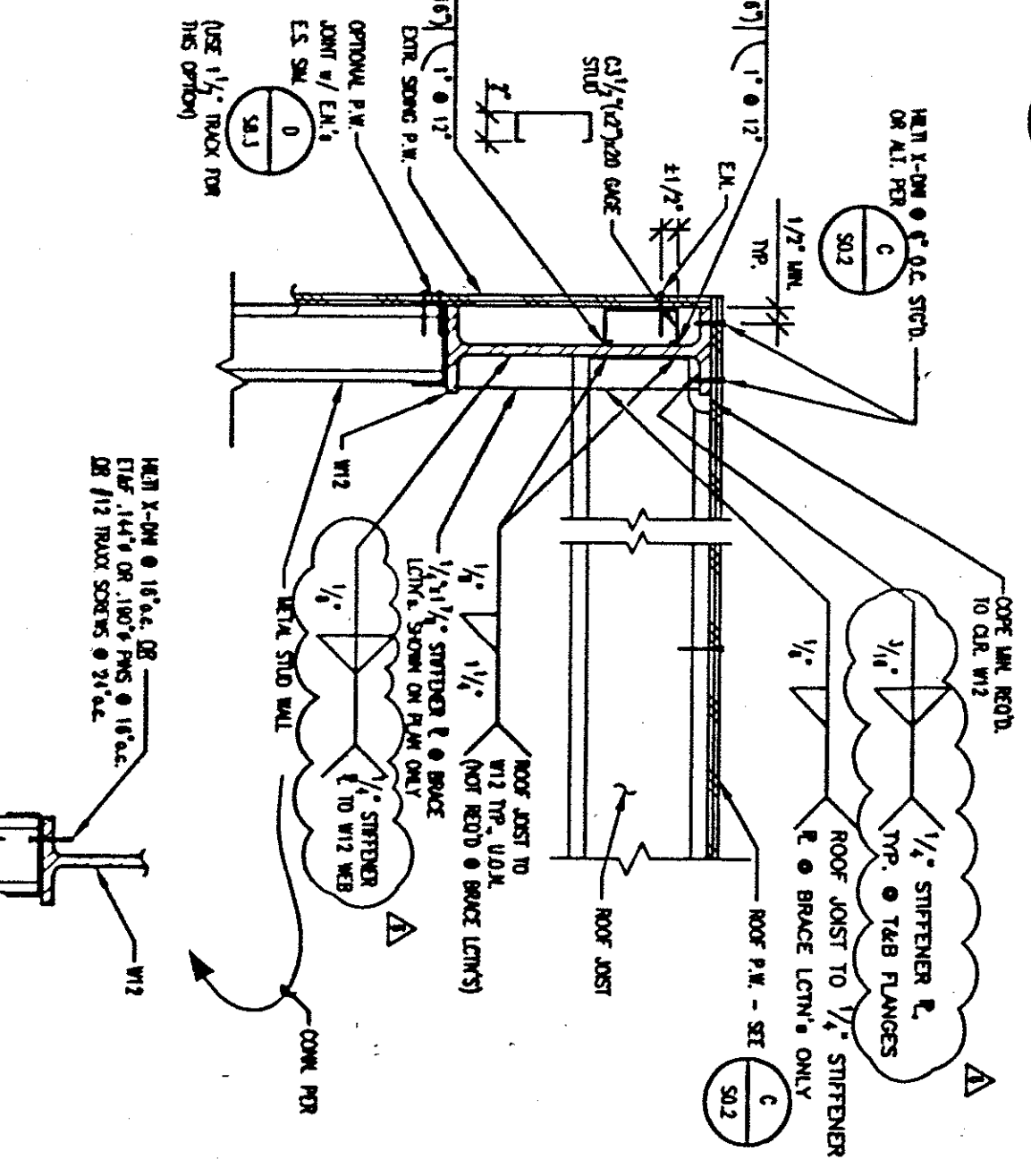
TYP. DET. - FLASHING @ CONC. FND. W/ METAL STUD WALLS



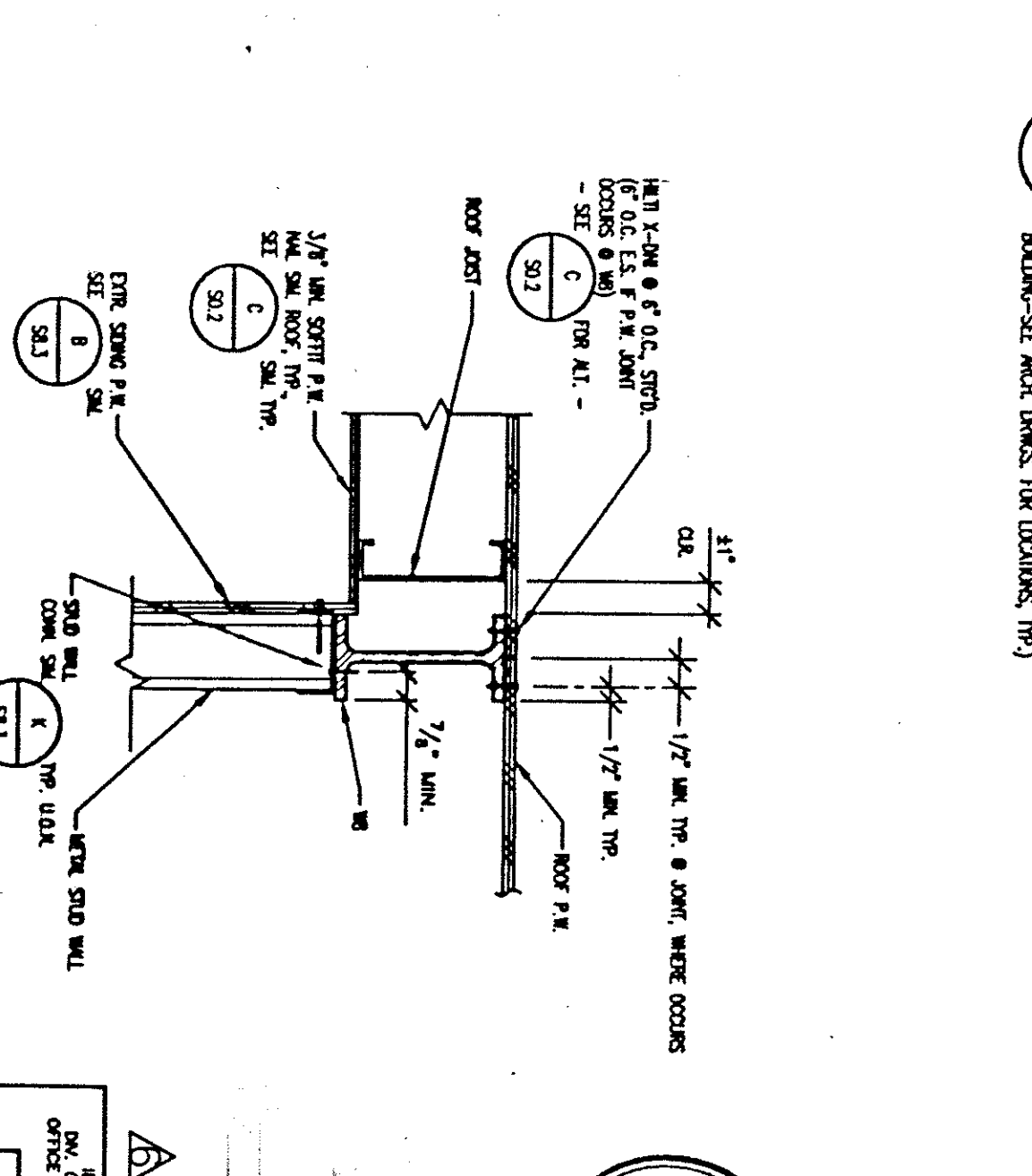
TYP. DETAIL - FLOOR @ SIDEWALL



TYP. DETAIL - ENDWALL @ FLOOR



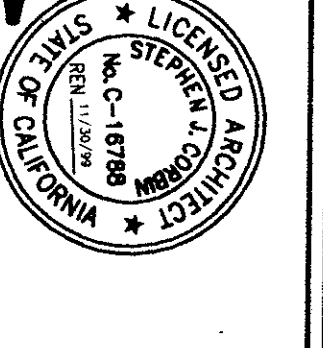
TYP. DETAIL - TYP. @ SIDEWALLS



TYP. DETAIL - TYP. @ ENDWALLS

THESE DRAWINGS AND / OR SPECIFICATIONS AND / OR CALCULATIONS FOR THE ITEMS LISTED BELOW HAVE BEEN PREPARED BY OTHER DESIGN PROFESSIONALS WHO ARE LICENSED AND EXAMINED BY ME AND HAVE BEEN FOUND TO MEET THE APPROPRIATE REQUIREMENTS OF TITLE 24, CALIFORNIA CODE OF REGULATIONS AND THE PROJECT SPECIFICATIONS PREPARED BY THE ARCHITECT. THE ITEMS LISTED BELOW ARE ACCEPTABLE FOR INCORPORATION INTO THE CONSTRUCTION OF THIS PROJECT FOR WHICH I AM THE INDIVIDUAL DESIGNATED TO BE IN GENERAL RESPONSIBLE FOR THE WORK. I AM NOT PROVIDING ANY DESIGN RESPONSIBILITY FOR THIS PORTION OF THE WORK. LIST THESE REVIEWED AND ACCEPTED / FOR DRAWINGS, ALIST OF ALL ACCEPTED DRAWINGS ARE TO BE ATTACHED.

DATE: 1-15-99
 LICENSE # C-16788
 EXP. DATE 1/30/01



NOTE: SEE S2.5 & S8.4 FOR METAL ROOF PANEL ALTERNATE

REVISIONS	BY
1	AS
2	AS
3	AS
4	AS
5	AS
6	AS
7	AS
8	AS
9	AS
10	AS

DATE	10-14-97
SCALE	N.T.S.
JOB NO.	97007_PSP03
SHEET	883

ANDERSON & DOIG STRUCTURAL ENGINEERS
 A CALIFORNIA CORPORATION
 10308 PLACER LANE, STE. 100, SACRAMENTO, CA 95827-5111
 (916) 936-9922

REGISTERED PROFESSIONAL ENGINEER
 BRUCE D. DOIG
 LICENSE NO. C-16788
 EXPIRES 3-31-00

PACESETTER INDUSTRIES, INC.
 P.O. BOX 1131, MODESTO, CA 95353 (209) 521-1600
24x40 RELOCATABLE BUILDING
 TYPICAL DETAILS

REVISIONS	BY
1	AS
2	AS
3	AS
4	AS
5	AS
6	AS
7	AS
8	AS
9	AS
10	AS