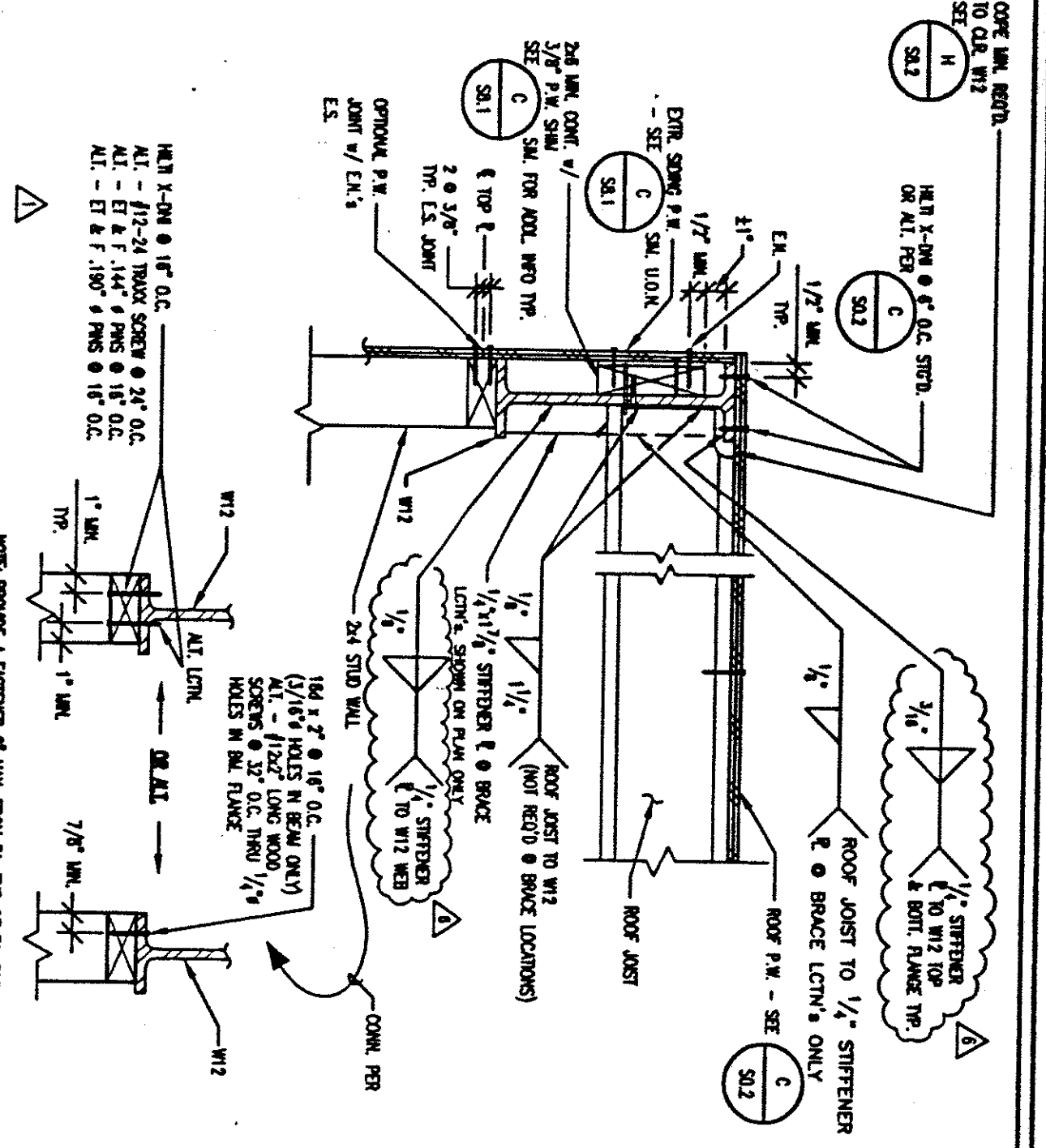
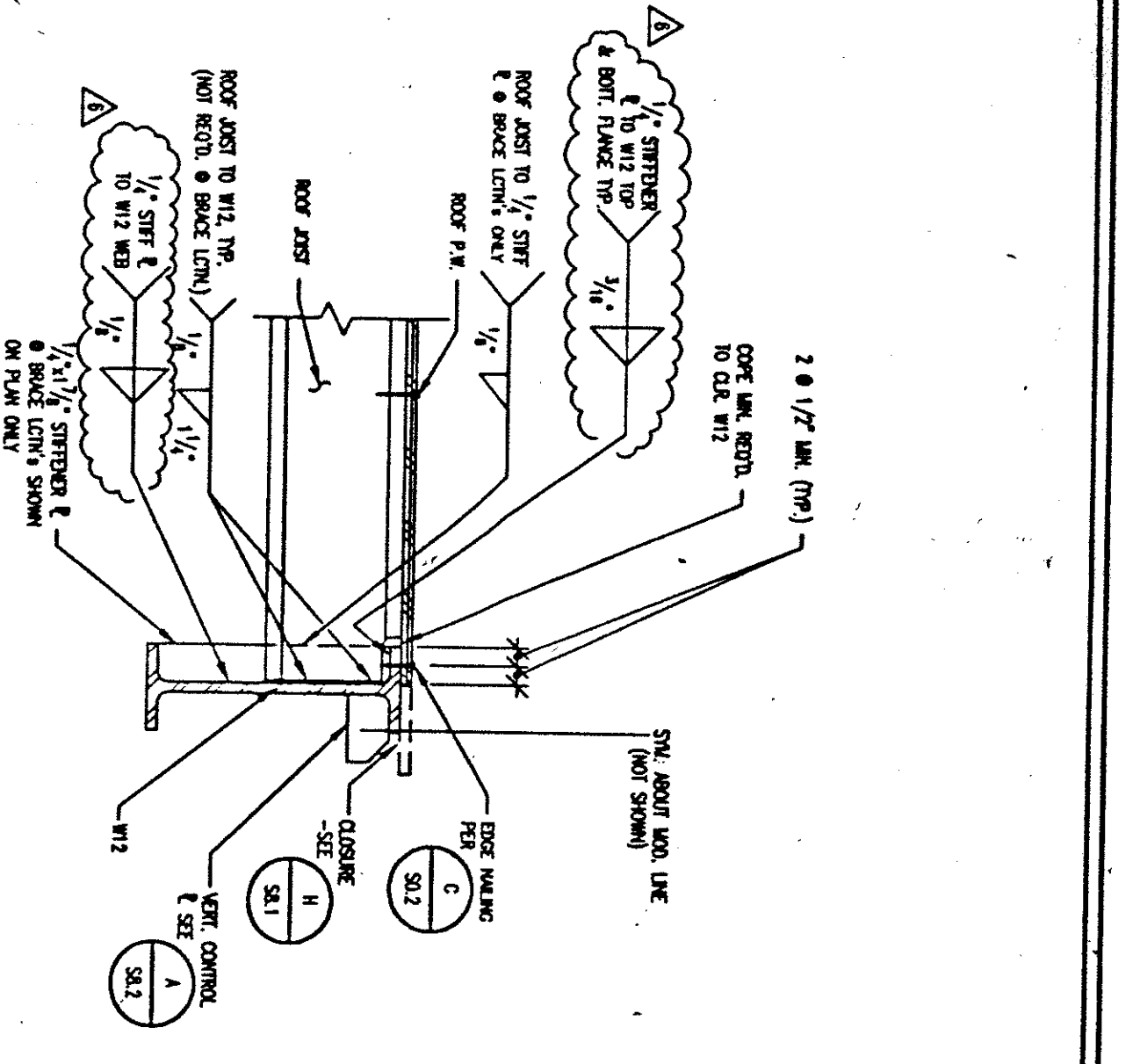


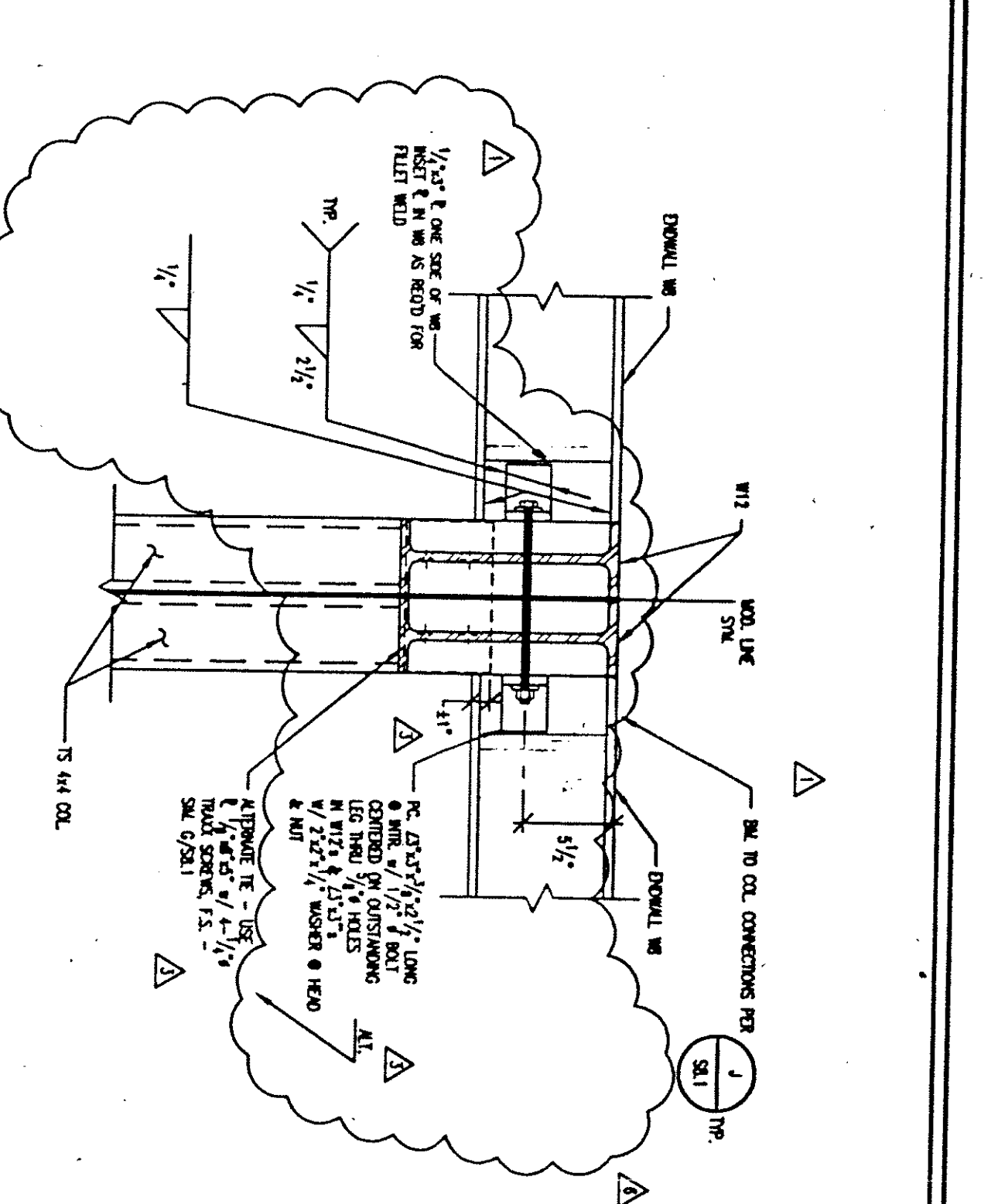
A ROOF DETAIL - MODULE LINE BM'S VERTICAL CONTROL P's
SCALE: 1/2"=1'-0"
(OPTIONAL)



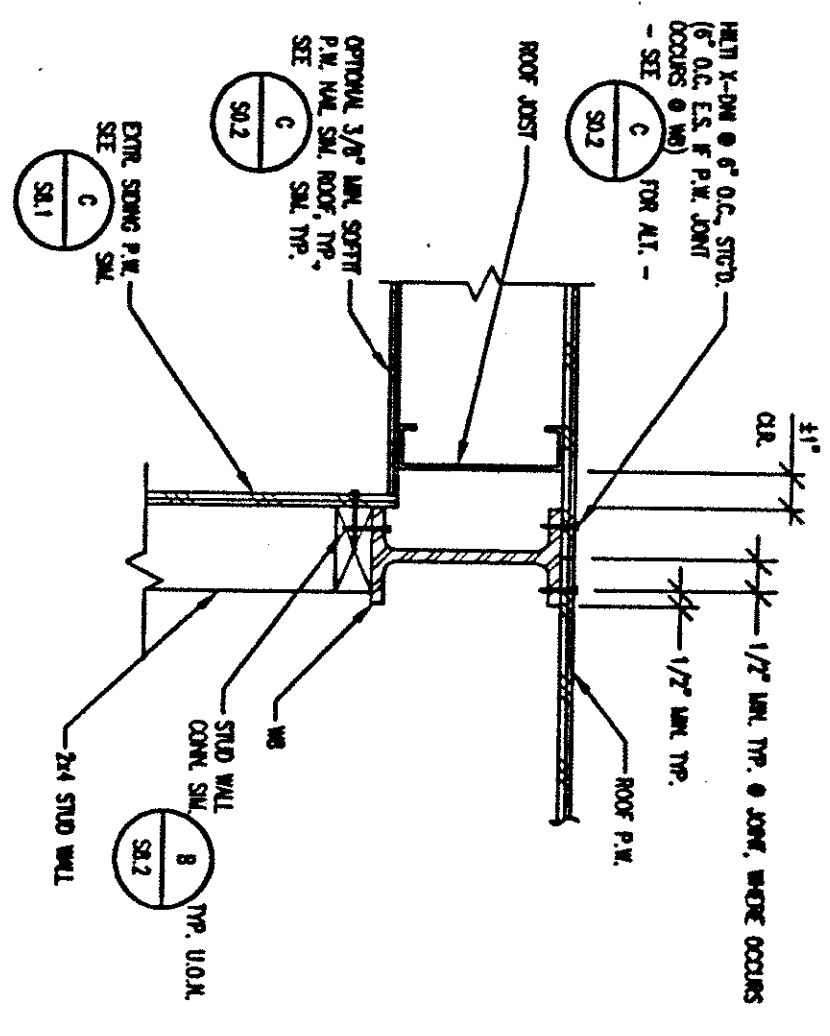
B ROOF DETAIL - TYP. ENDWALL
SCALE: 1/2"=1'-0"



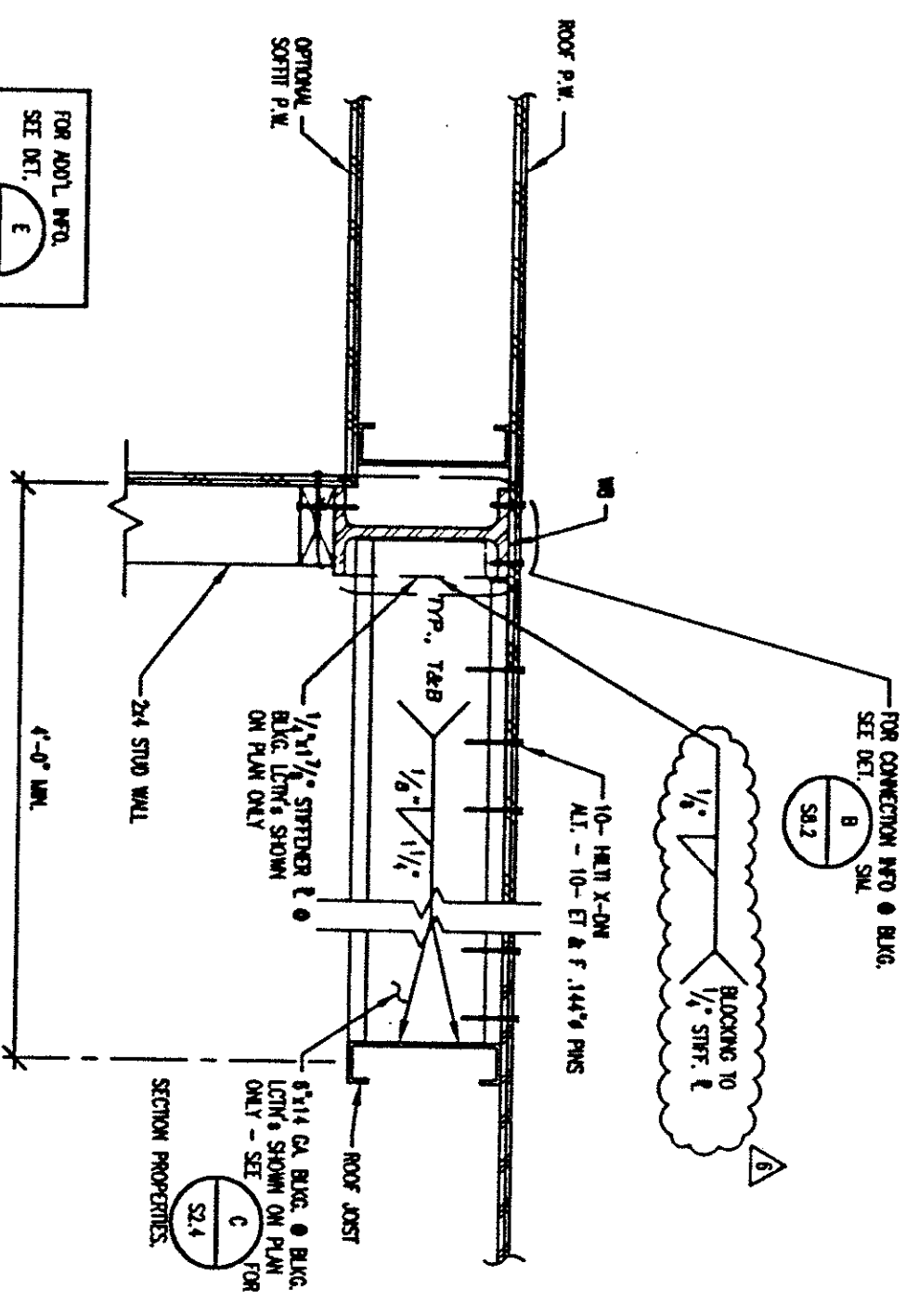
C ROOF DETAIL - TYP. MODULE LINE
SCALE: 1/2"=1'-0"



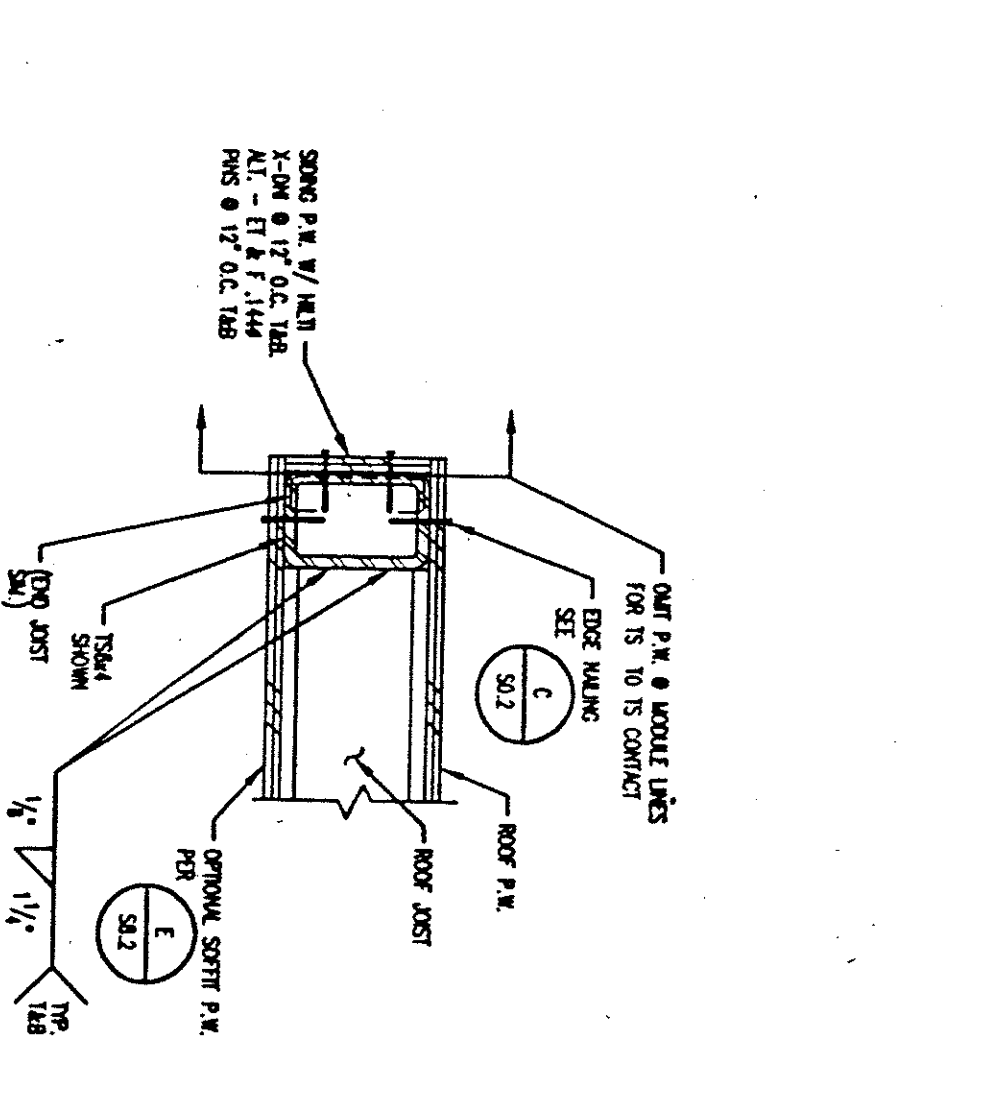
D TYP. DET. ROOF-FRONT & REAR ENDWALL WALL TIE MOD. LINE
SCALE: 1/2"=1'-0"



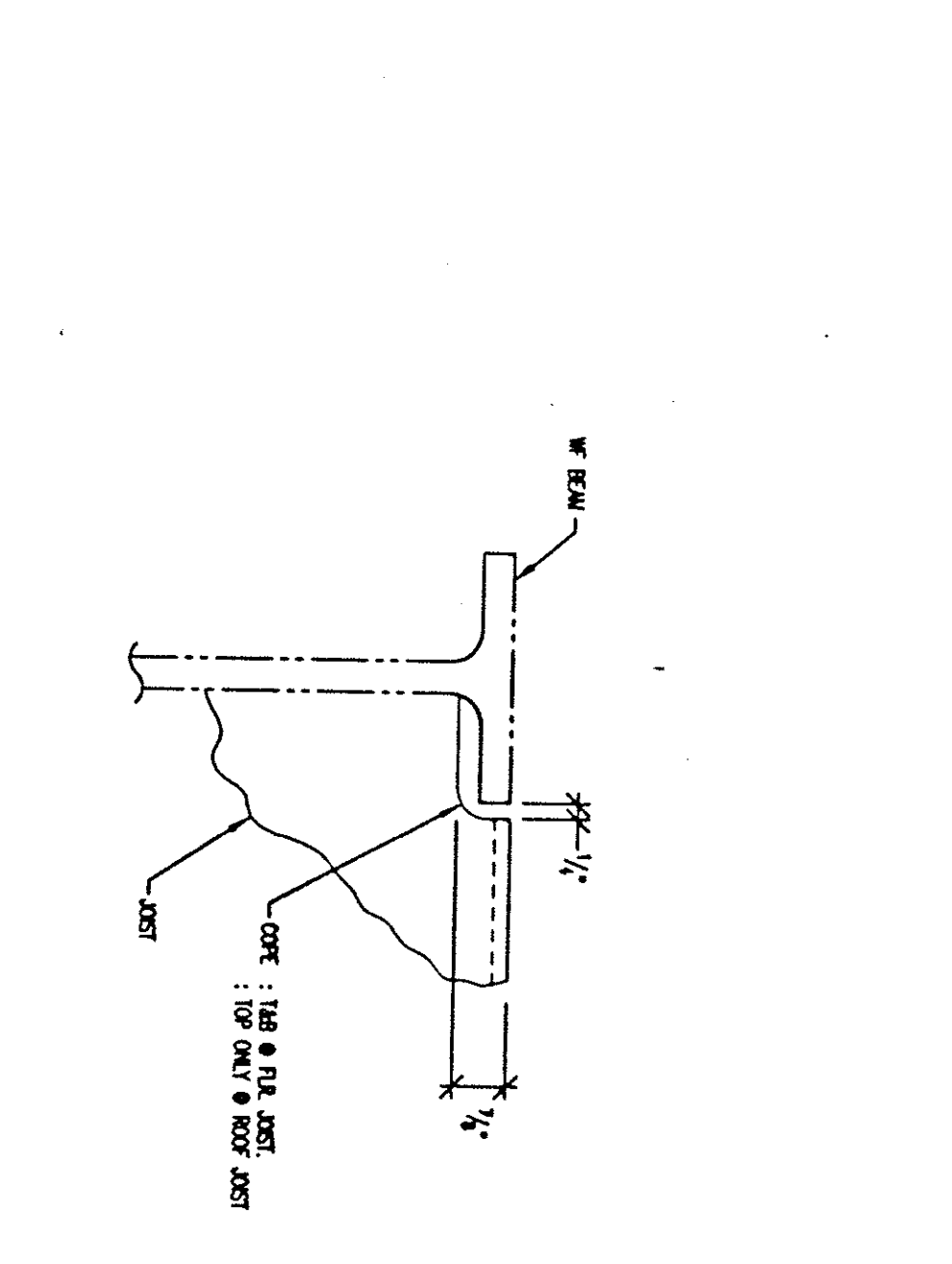
E ROOF DETAIL - TYP. ENDWALLS
SCALE: 1/2"=1'-0"



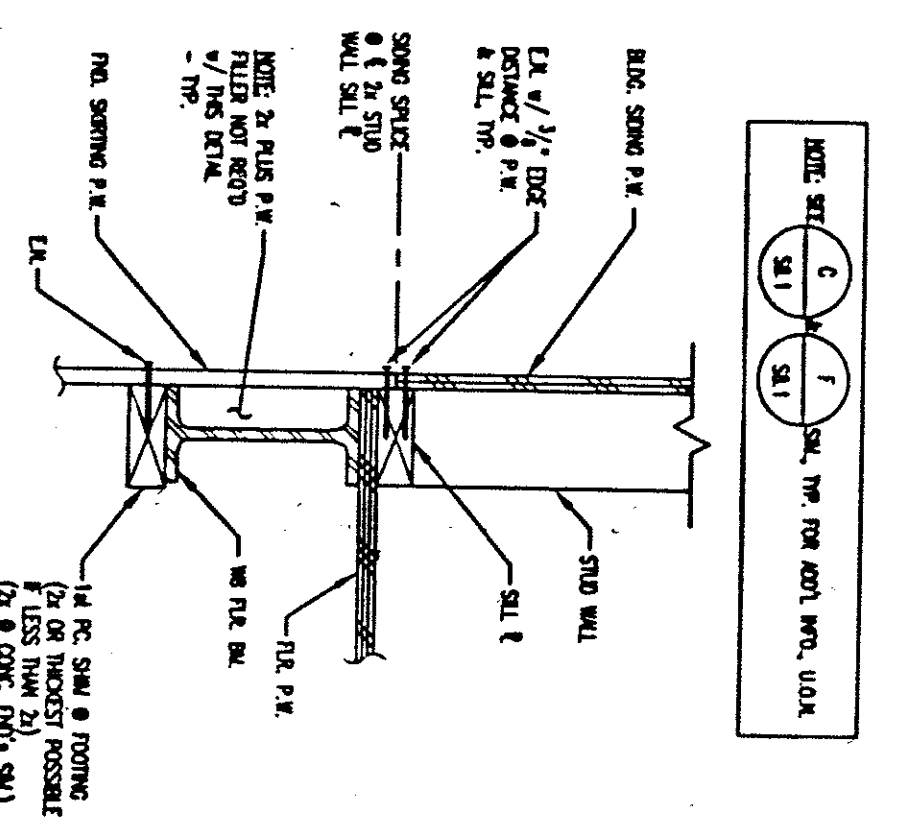
F ROOF DETAIL - TYP. ENDWALL BEAM
SCALE: 1/2"=1'-0"
(TYP. @ FRONT & REAR)



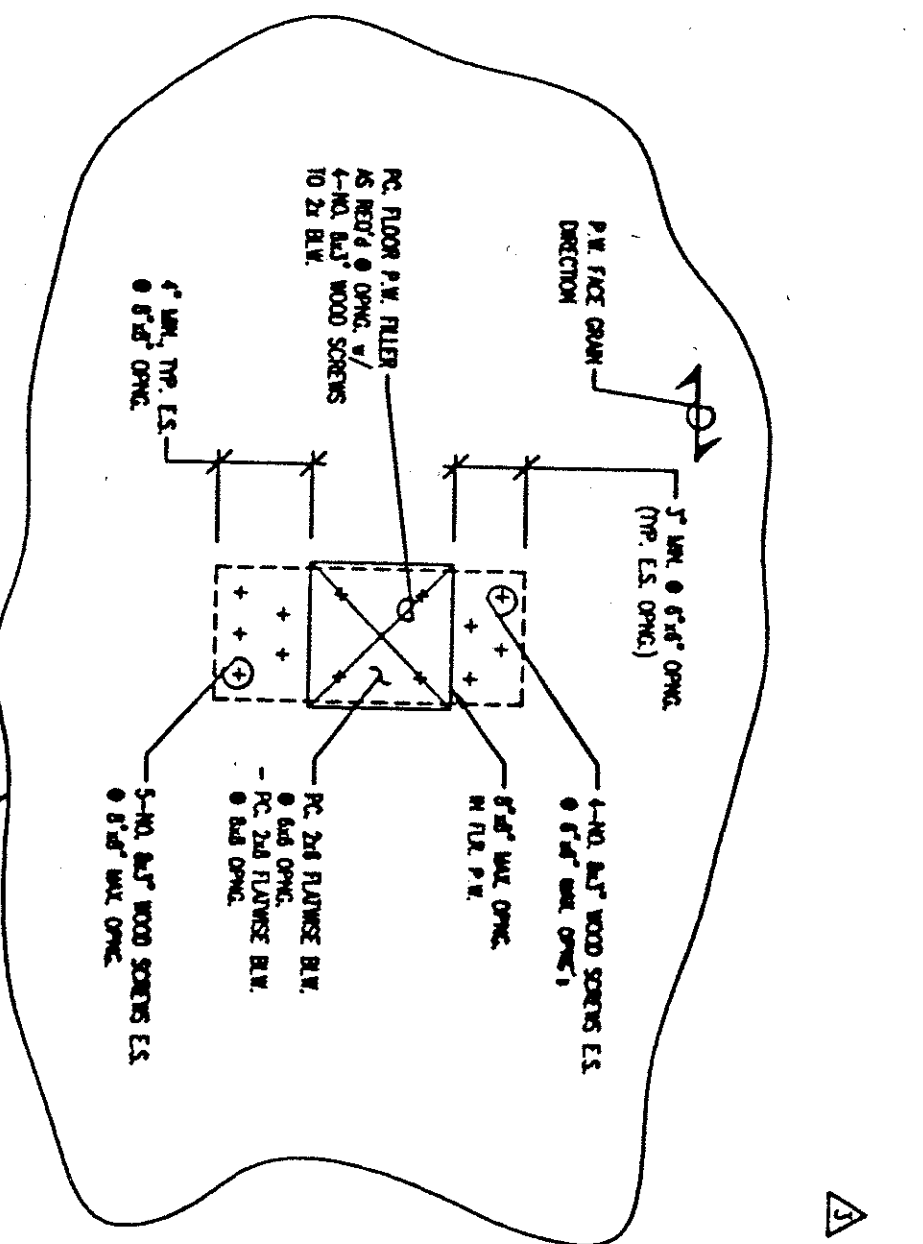
G ROOF DETAIL - FRONT & REAR EAVES
SCALE: 1/2"=1'-0"



H TYPICAL COPING OF ROOF/F.R. JOIST W8 OR W12 BEAMS
SCALE: 1/2"=1'-0"



I TYP. DET.-ALT. FND. SKIRTING ATTACHMENT PERIMETER
SCALE: 1/2"=1'-0"
(WOOD STUD WALLS SHOWN - METAL STUD WALLS SIM.)



J TYP. DET.-SMALL ACCESS OPNG. F.R. P.W.
SCALE: 1/2"=1'-0"

THESE DRAWINGS AND/OR SPECIFICATIONS AND/OR CALCULATIONS FOR THE ITEMS LISTED BELOW HAVE BEEN PREPARED BY OTHER DESIGN PROFESSIONALS WHO ARE NOT LICENSED ARCHITECTS OR ENGINEERS IN THE STATE OF CALIFORNIA. THE ARCHITECT HAS BEEN AUTHORIZED TO PREPARE THESE DRAWINGS TO MEET THE APPROPRIATE REQUIREMENTS OF TITLE 24, CALIFORNIA CODE OF REGULATIONS AND THE PROJECT SPECIFICATIONS PREPARED BY THE LISTED BELOW ARE ACCEPTABLE FOR INCORPORATION INTO THE CONSTRUCTION OF THE PROJECT FOR WHICH I HAVE BEEN DELICATED RESPONSIBILITY FOR THIS PORTION OF THE WORKS REVIEWED AND ACCEPTED. THE DRAWINGS LISTED OF ALL ACCEPTED DRAWINGS ARE TO BE ATTACHED.

LICENSING BOARD
STATE OF CALIFORNIA
No. C-18788
EXPIRES 12/31/98
DATE: 1-15-99

ANDERSON & DOIG
STRUCTURAL ENGINEERS
A CALIFORNIA CORPORATION
10308 PLAZA LANE, STE. 100, SACRAMENTO, CA 95822-2511
(916) 491-9100 FAX (916) 496-9696

REVISIONS

NO.	DATE	DESCRIPTION
1	10-14-97	NO CHANGE
2	10-14-97	NO CHANGE
3	10-14-97	NO CHANGE

ANDERSON & DOIG
STRUCTURAL ENGINEERS
A CALIFORNIA CORPORATION
10308 PLAZA LANE, STE. 100, SACRAMENTO, CA 95822-2511
(916) 491-9100 FAX (916) 496-9696

PACESETTER INDUSTRIES, INC.
P.O. BOX 1131, MODESTO, CA 95353 (209) 521-1600
24x40 RELOCATABLE BUILDING
ROOF DETAILS

PC-330
SCALE: 1/2"=1'-0"
SHEET NO. 582 OF 582

REVISIONS

NO.	DATE	DESCRIPTION
1	10-14-97	NO CHANGE
2	10-14-97	NO CHANGE
3	10-14-97	NO CHANGE