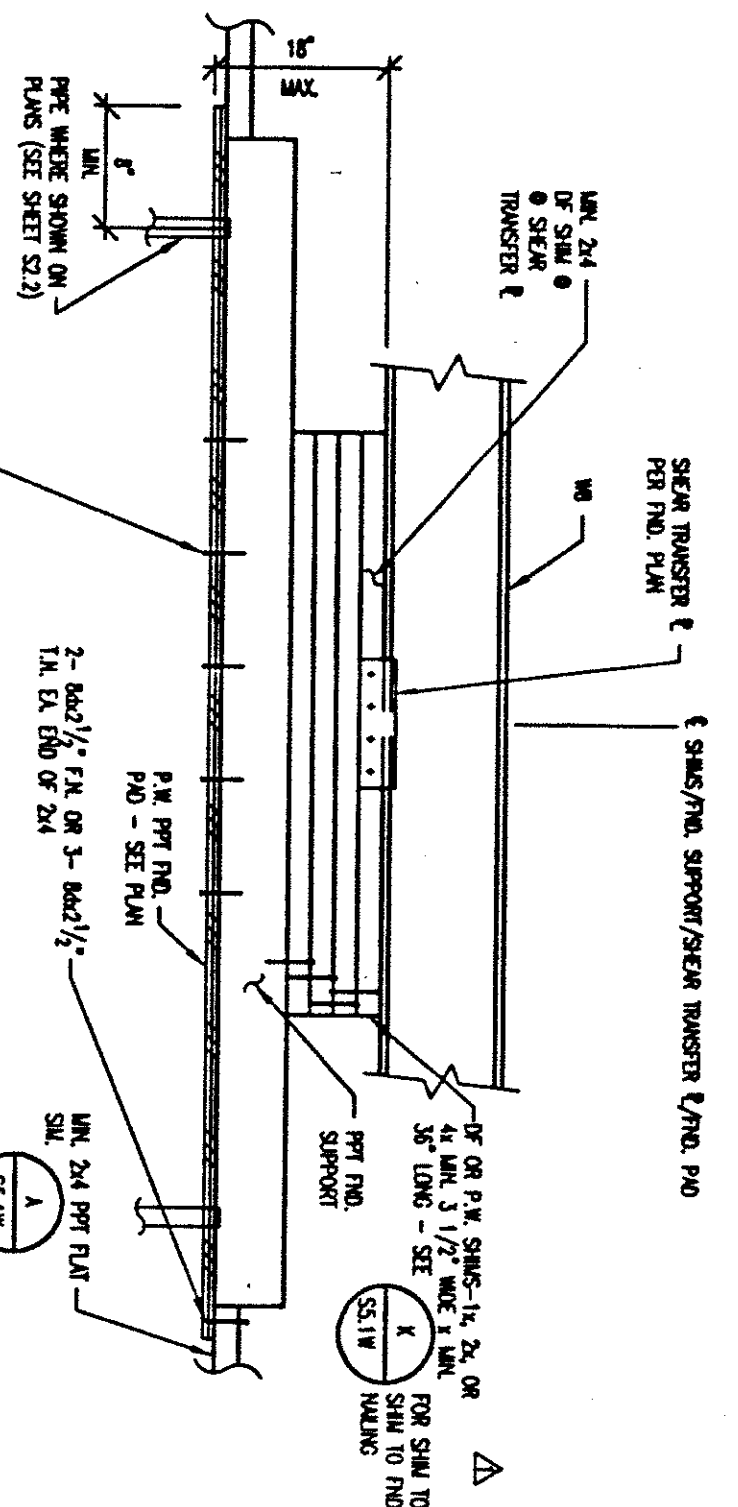
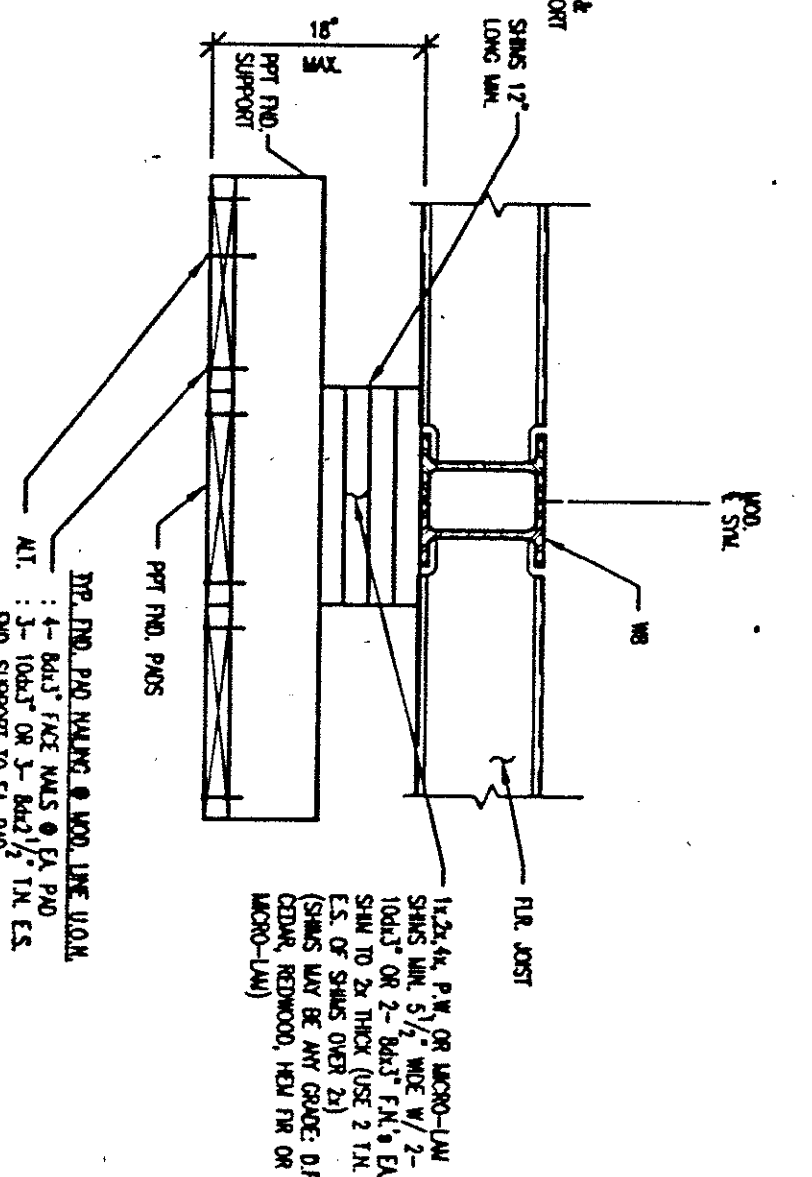


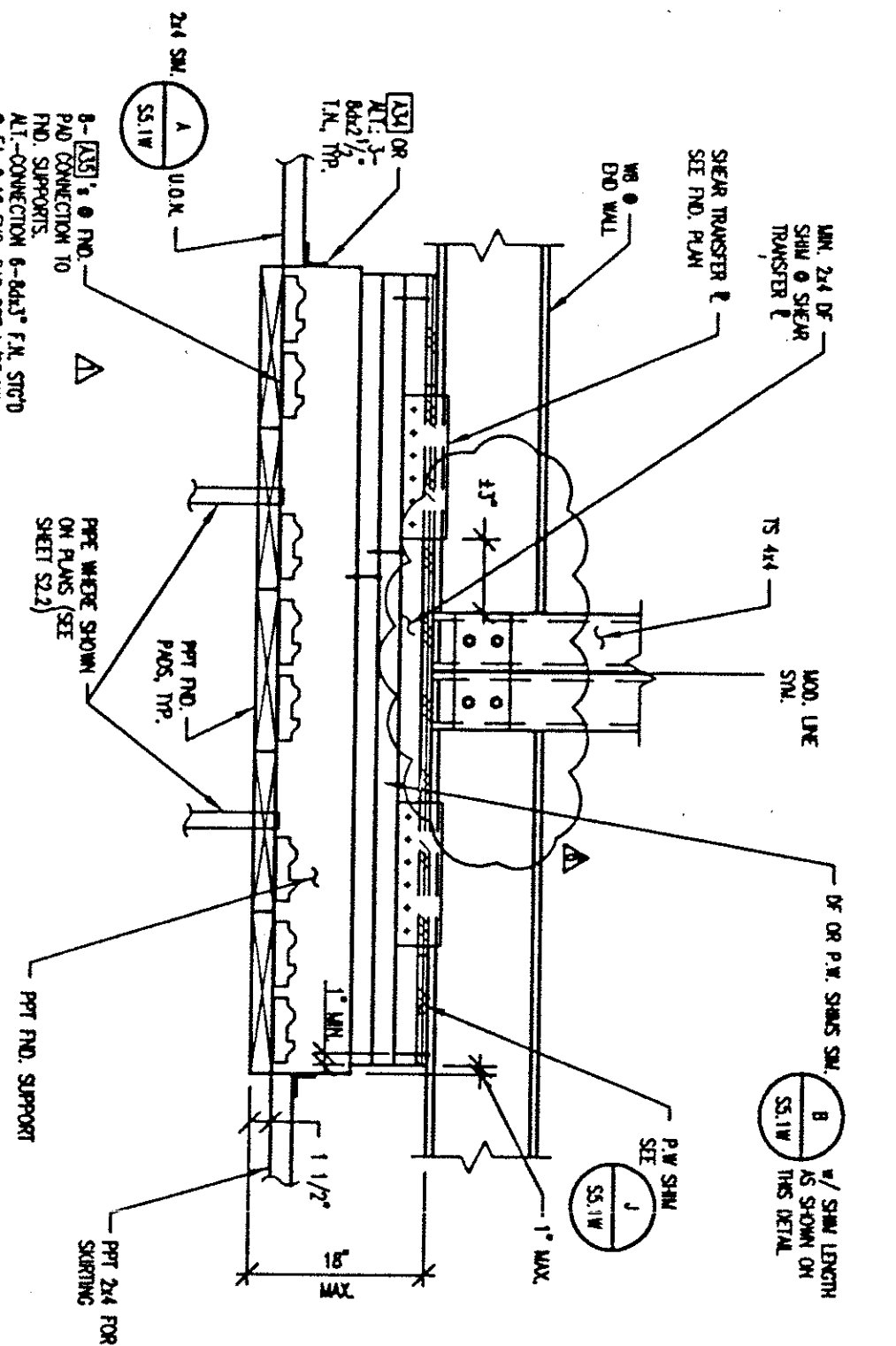
1 DET.-FIG. 1 SIDEWALLS (ONE WALL)
SCALE: 1/4" = 1'-0"



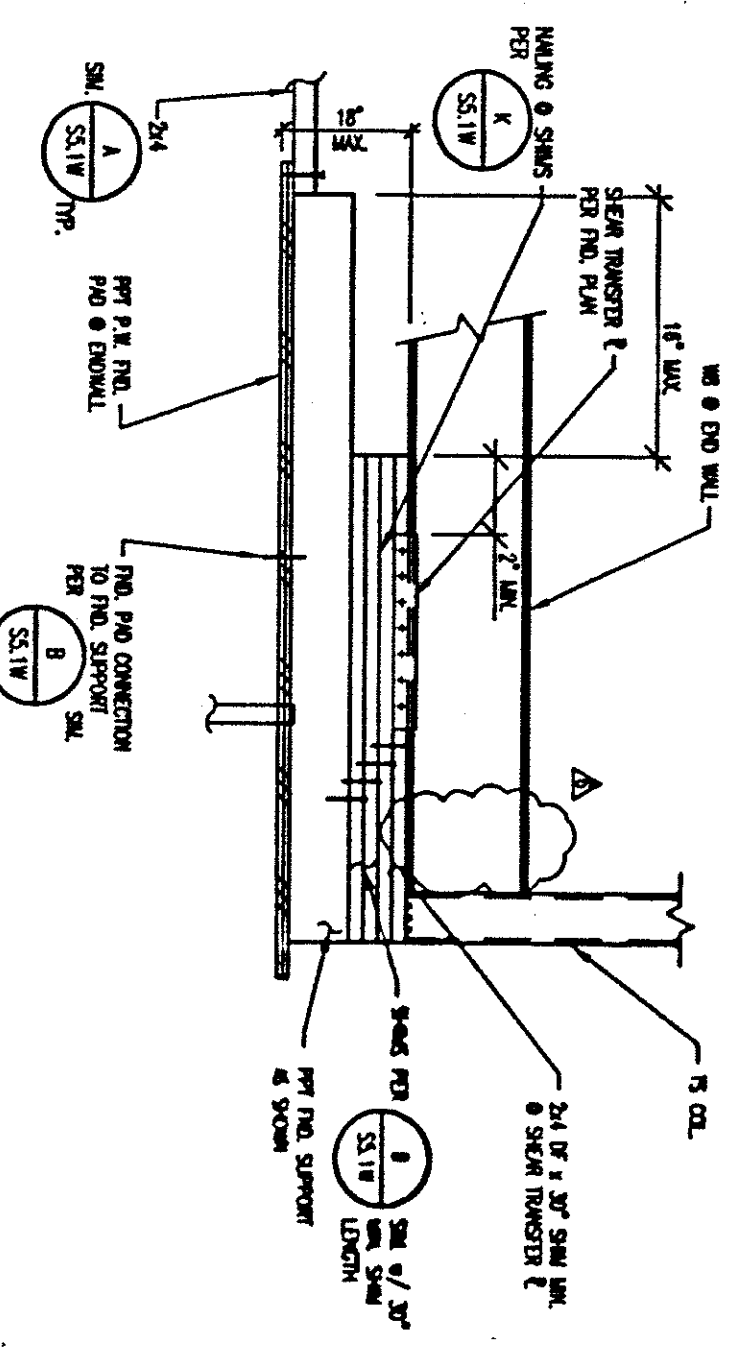
2 DET.-FIG. 2 SIDEWALLS W/ SHEAR TRANSFER (ONE WALL)
SCALE: 1/4" = 1'-0"



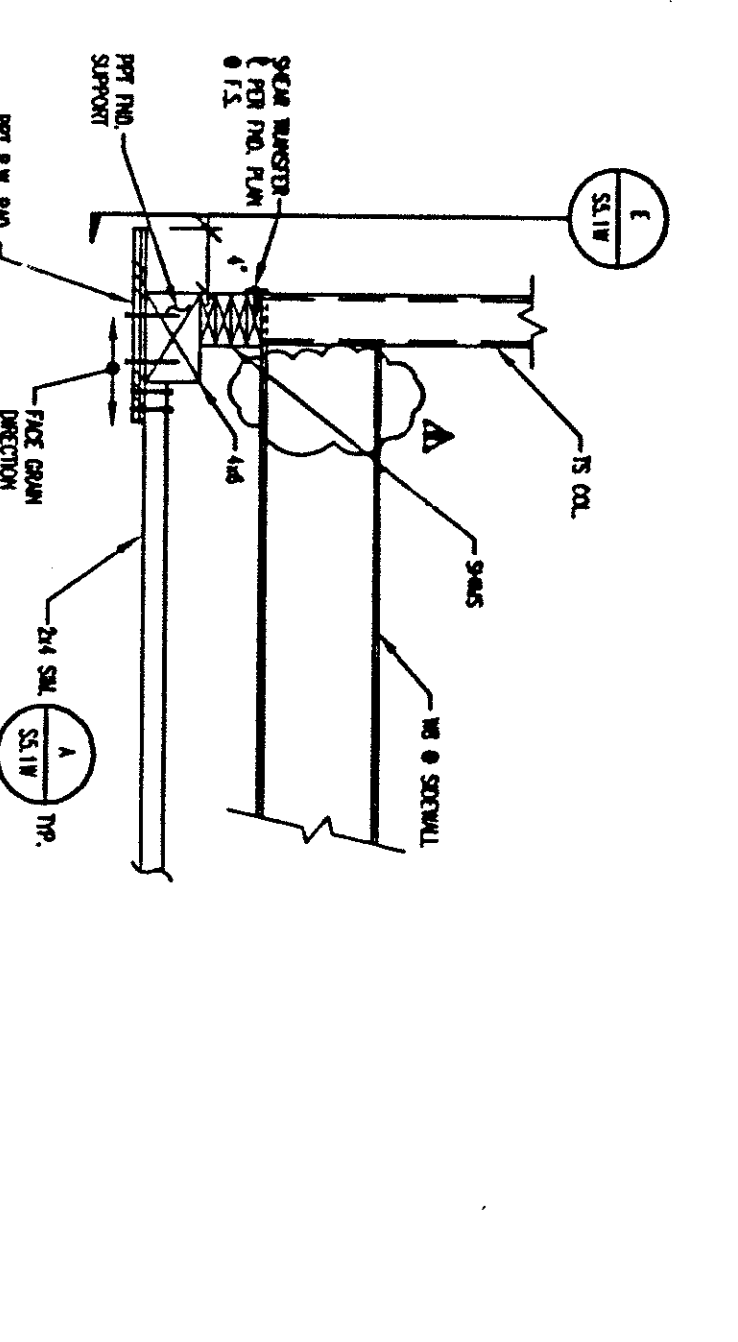
3 DET.-FIG. 3 MOD. LINE
SCALE: 1/4" = 1'-0"



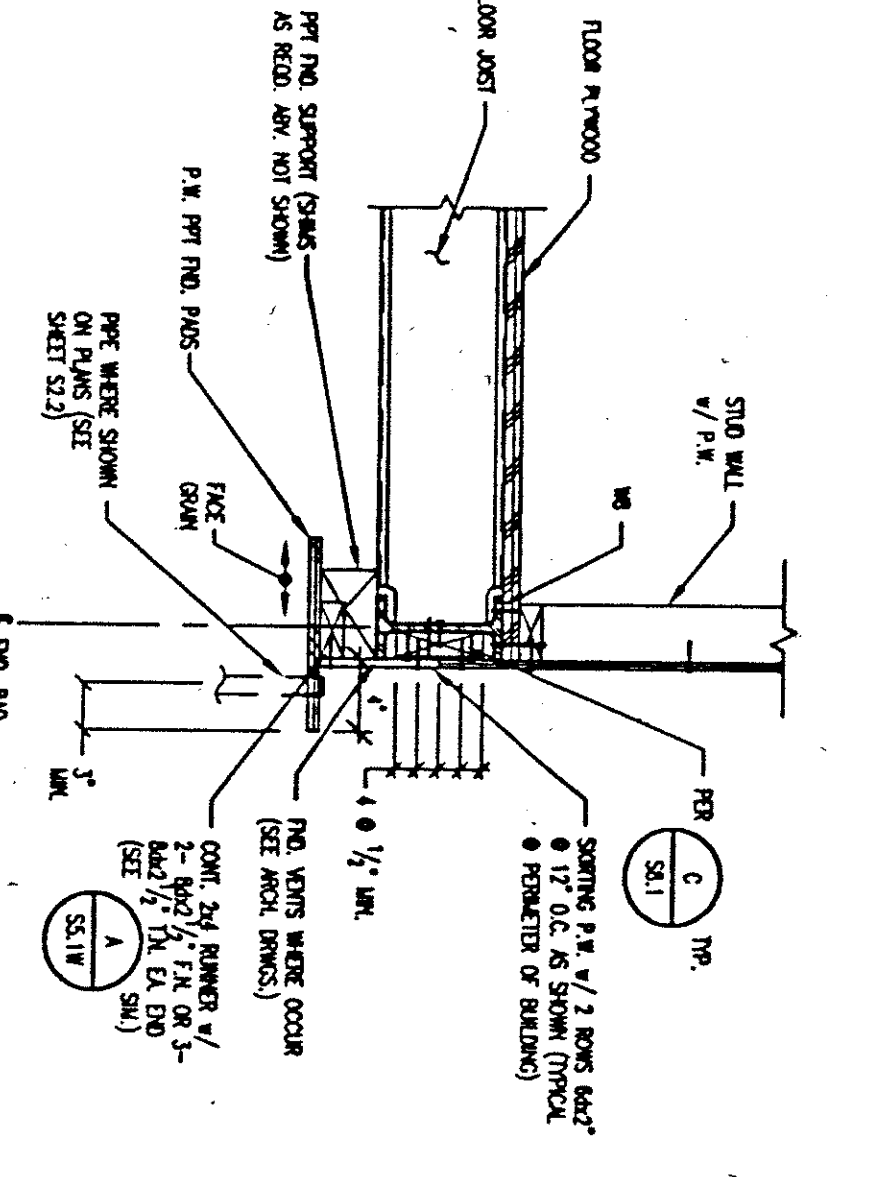
4 DET.-FIG. 4 AT ENDWALL & MOD. LINE
SCALE: 1/4" = 1'-0"



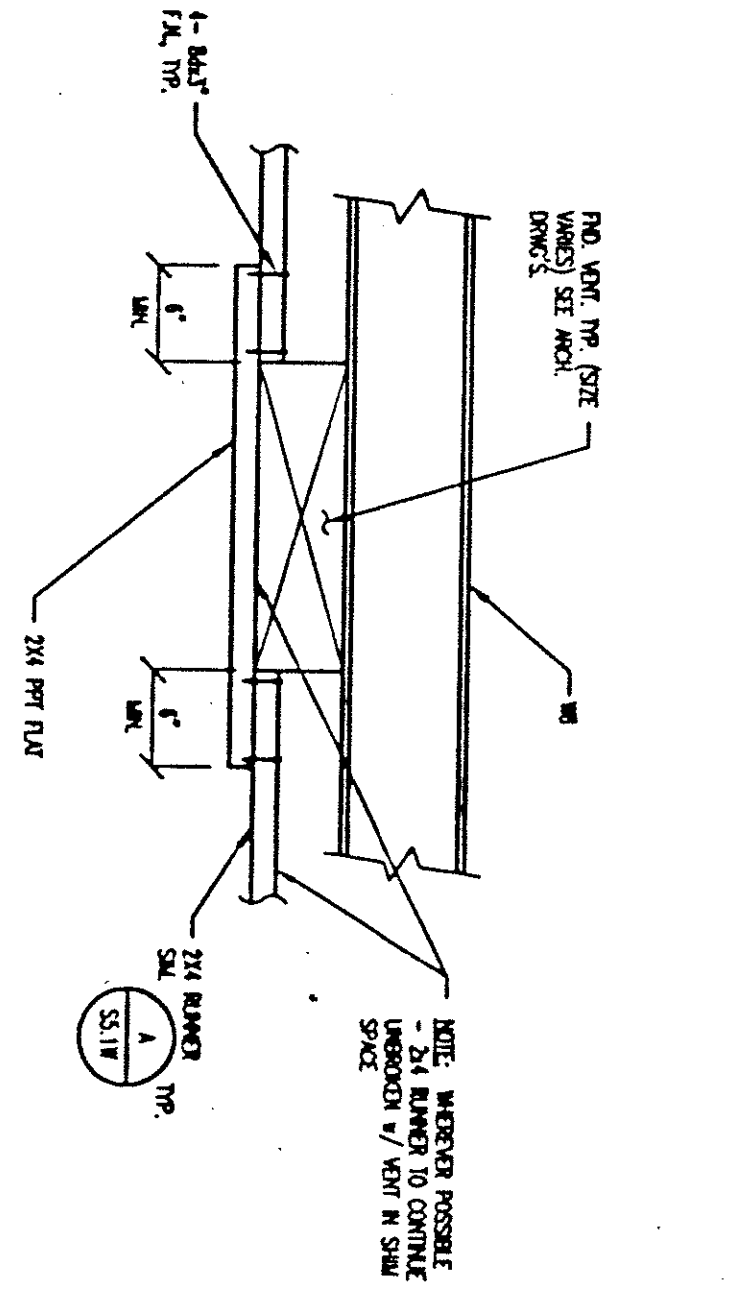
5 DET.-FIG. 5 CORNERS (ENDWALL)
SCALE: 1/4" = 1'-0"



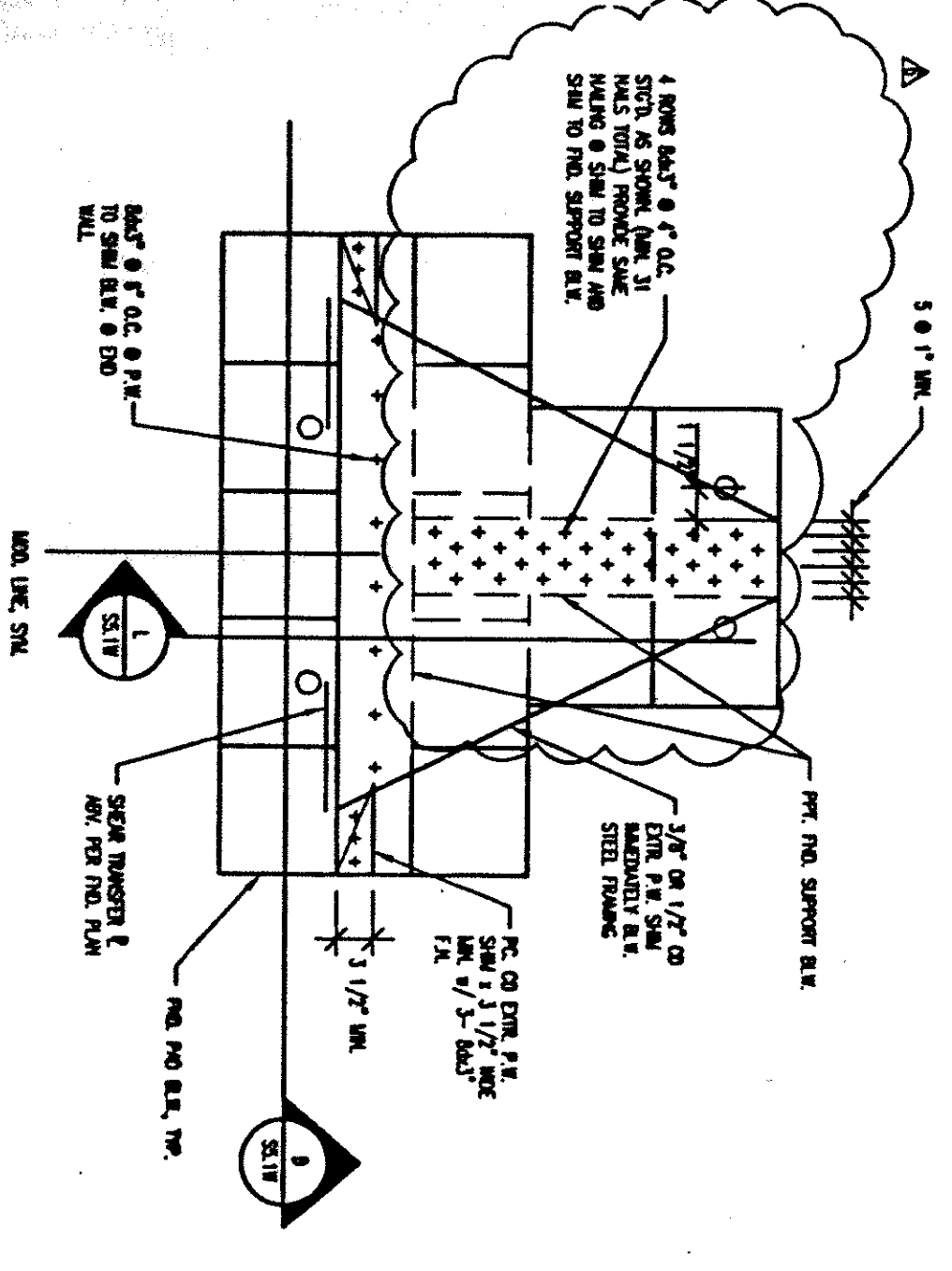
6 DET.-FIG. 6 CORNERS (SIDEWALL)
SCALE: 1/4" = 1'-0"



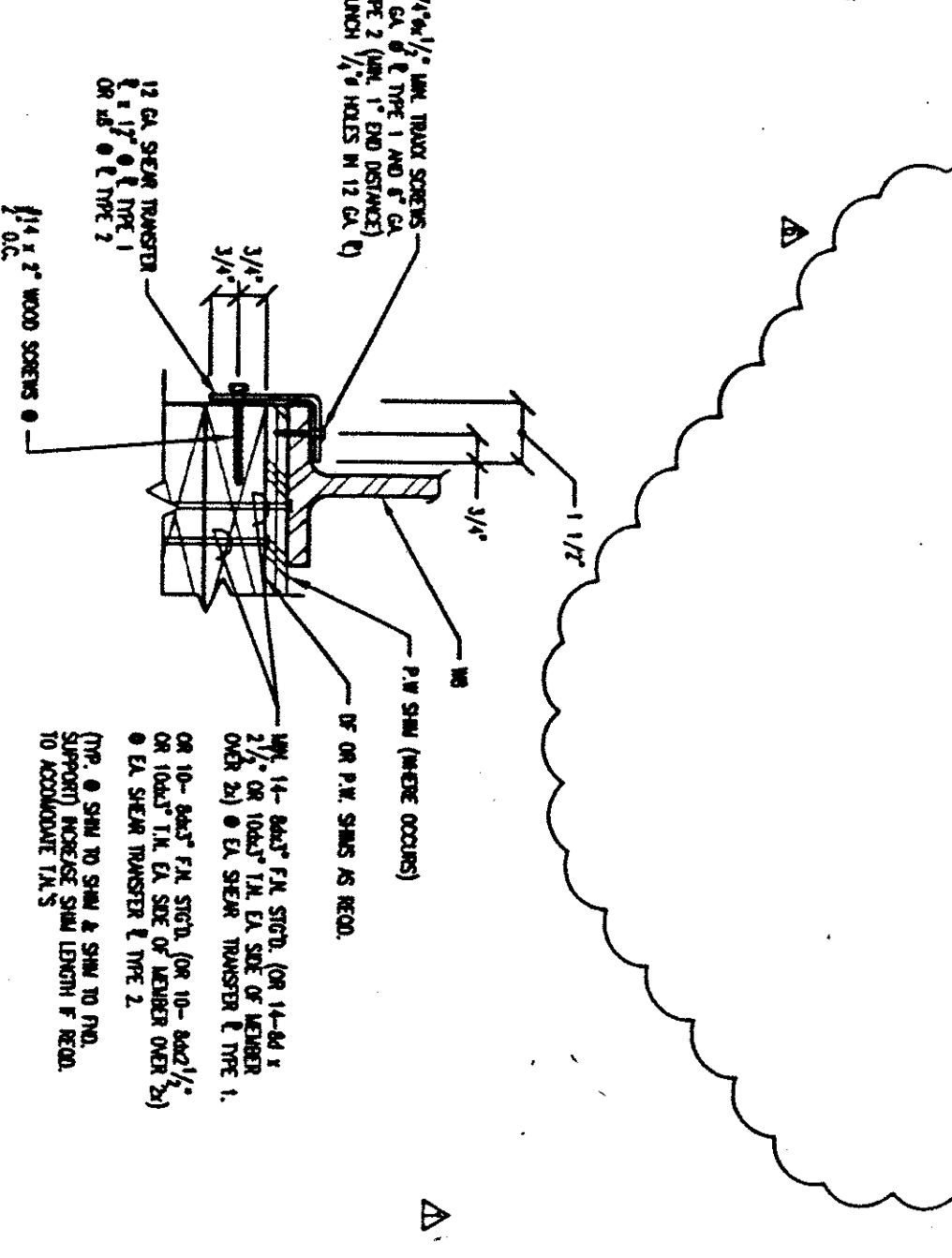
7 DET.-FIG. 7 SKIRTING (SIDEWALL SHOWING ENDWALL)
SCALE: 1/4" = 1'-0"



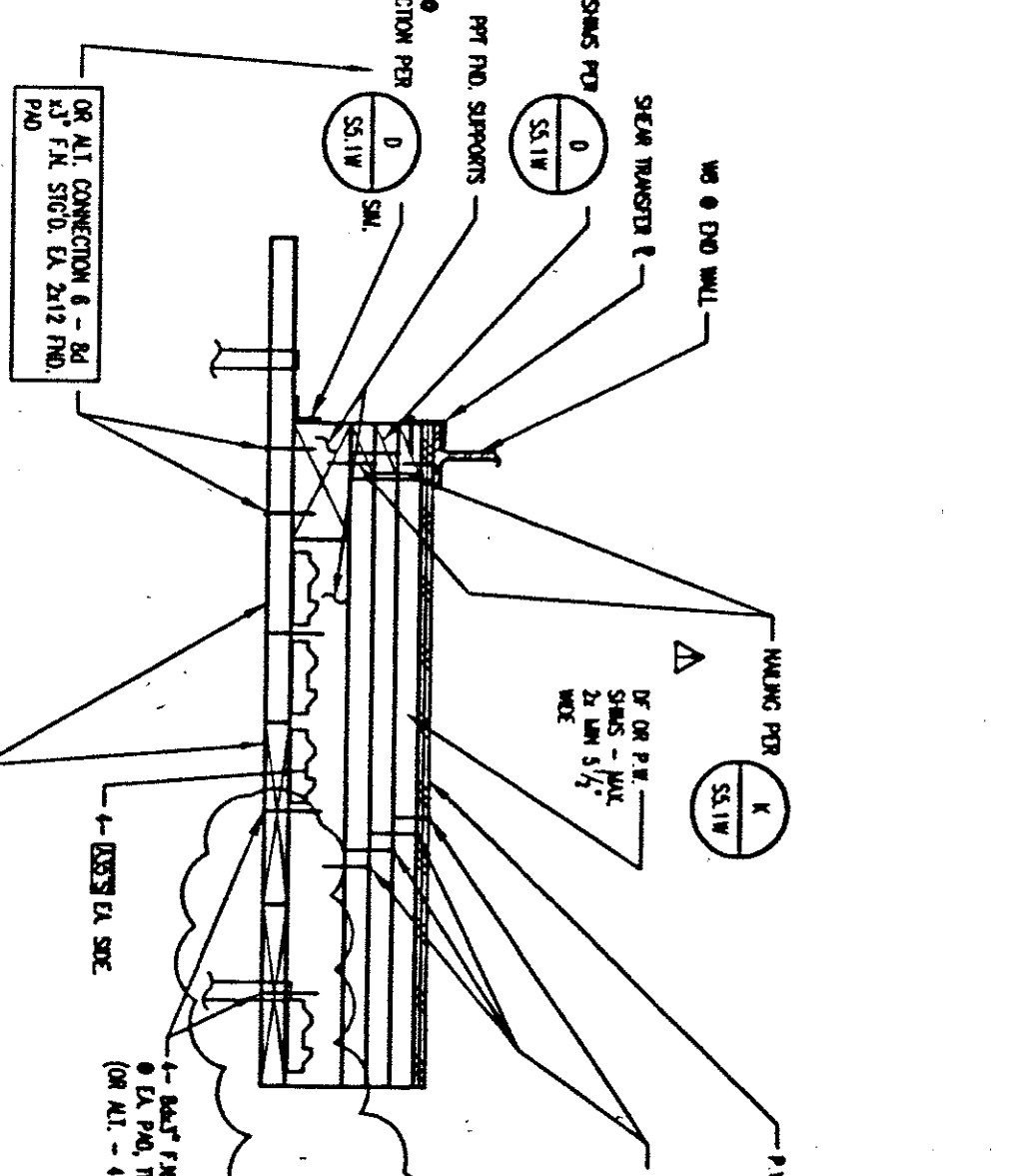
8 DET.-FIG. 8 FIN. VENT (WHERE WOOD SHIMS REQ'D. AT FIN. VENT)
SCALE: 1/4" = 1'-0"



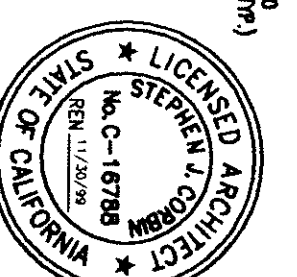
9 DET.-FIG. 9 END WALL & MOD. LINE
SCALE: 1/4" = 1'-0"



10 DET.-FIG. 10 SHEAR TRANSFER R TO FND.
SCALE: 3/4" = 1'-0"

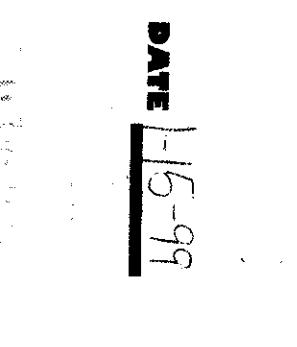


11 DET.-FIG. 11 ENDWALL & MOD. LINE (ALONG MOD. LINE)
SCALE: 1/4" = 1'-0"



ANDERSON & DOIG
STRUCTURAL ENGINEERS
A CALIFORNIA CORPORATION
10308 PLACER LANE, STE. 100, SACRAMENTO, CA 95827-5211
(916) 966-9622

DATE: 11-5-99
BY: [Signature]
CHECKED BY: [Signature]
DATE: 11/20/99
EXP. DATE: 11/20/01



PC-330
DATE: 11/20/99
BY: [Signature]
CHECKED BY: [Signature]
DATE: 11/20/99
EXP. DATE: 11/20/01

REVISIONS

Δ	5-22-97	BD
Δ	6-30-97/NO CHANGE	BD
Δ	7-24-97	BD
Δ	8-27-97/NO CHANGE	BD
Δ	10-14-97	BD

REGISTERED PROFESSIONAL ENGINEER
BRUCE D. DOIG
No. 2598
DATE OF CALIFORNIA LICENSE: 10/24/81
EXPIRES 3-31-00

PACESETTER INDUSTRIES, INC.
P.O. BOX 1131, MODESTO, CA 95353 (209) 521-1600
24x40 RELOCATABLE BUILDING
WOOD FOUNDATION DETAILS

REVISIONS

Δ	5-22-97	BD
Δ	6-30-97/NO CHANGE	BD
Δ	7-24-97	BD
Δ	8-27-97/NO CHANGE	BD
Δ	10-14-97	BD

DESIGN: (999) 003
CHECKED BY: [Signature]
DATE: 11/20/99
SCALE: AS NOTED
JOB NO.: 97007 PRP/CI
SHEET: S5.1W