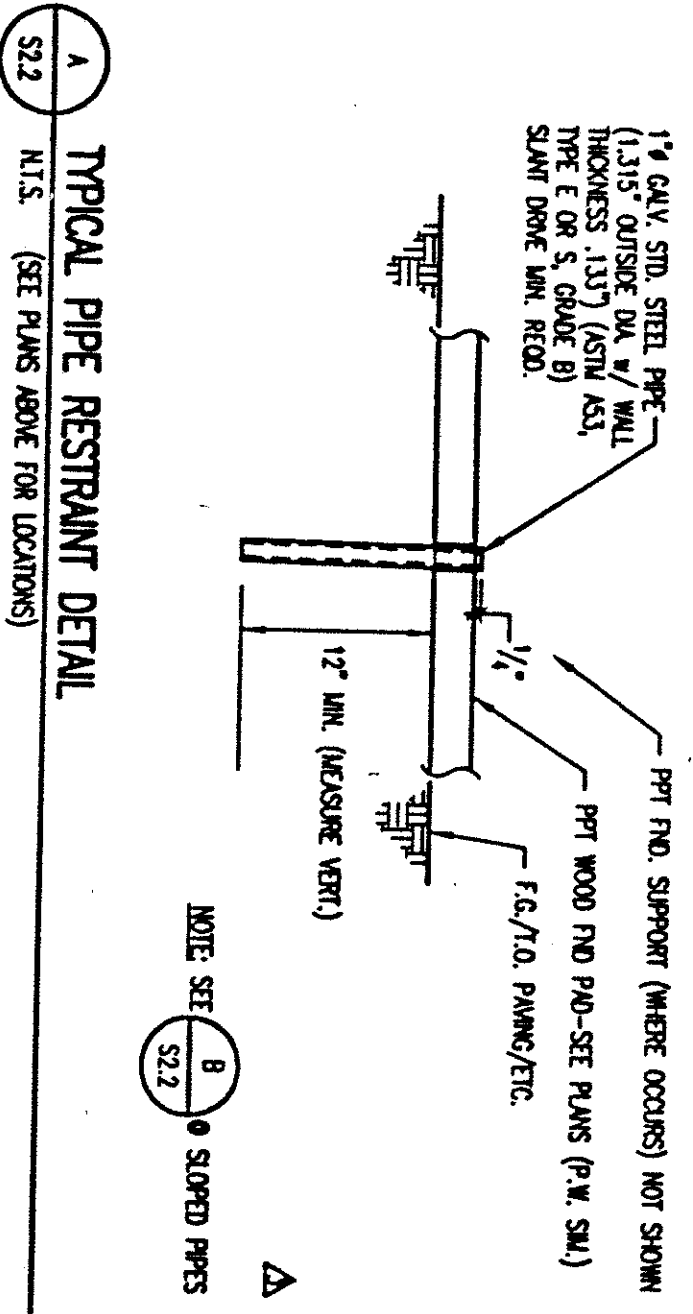
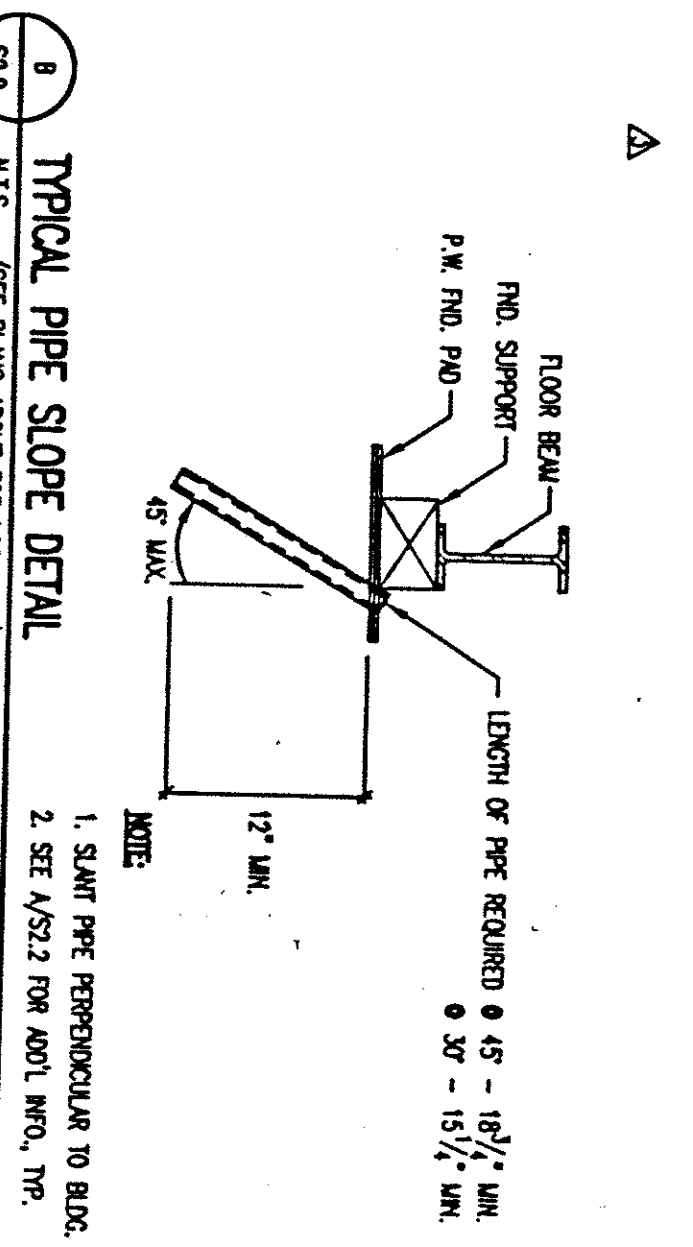


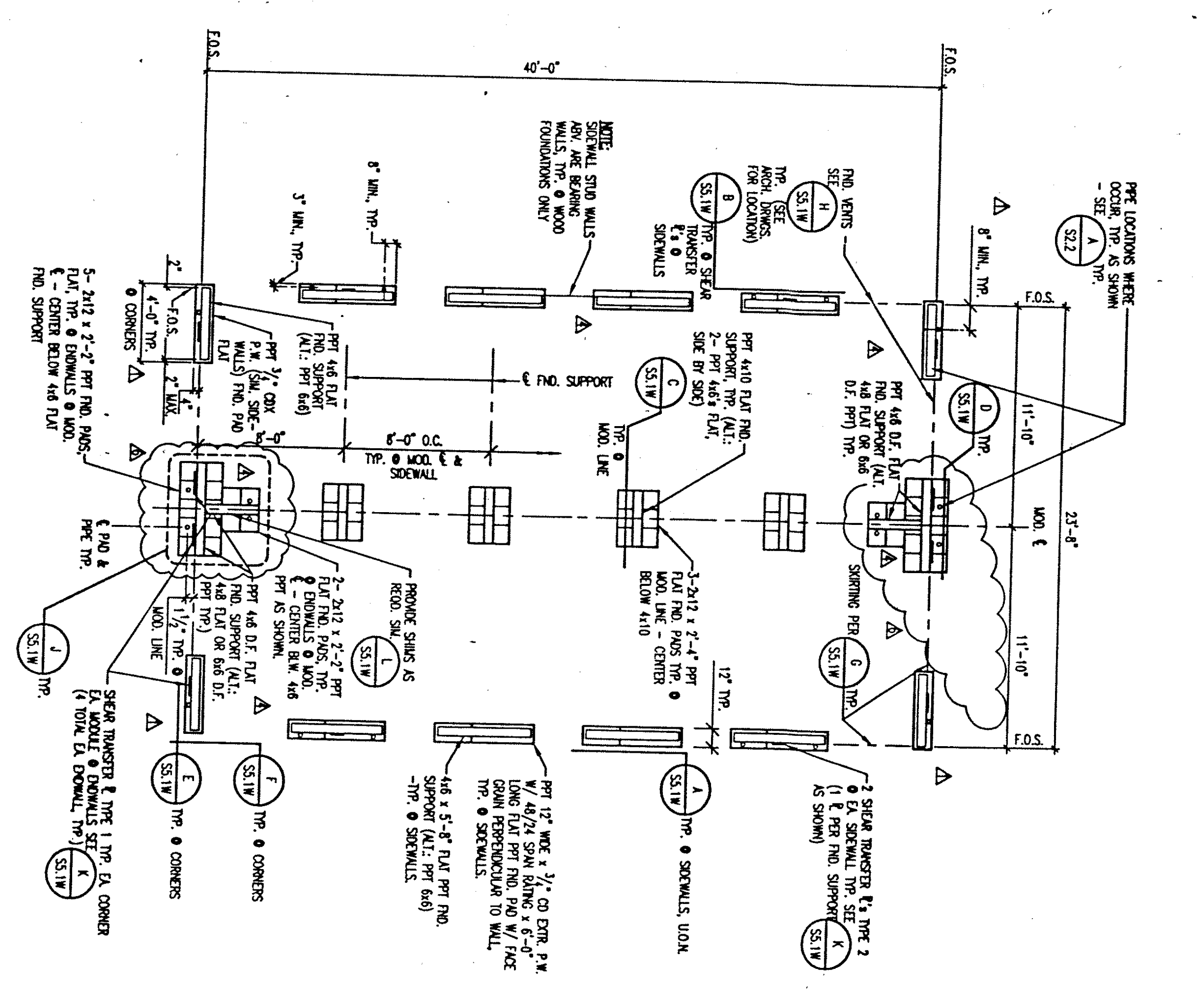
1 MULTIPLE 24'x40' BLDG. WOOD FOUNDATION PLAN
SCALE: 3/16"=1'-0"



A TYPICAL PIPE RESTRAINT DETAIL
N.T.S. (SEE PLANS ABOVE FOR LOCATIONS)



B TYPICAL PIPE SLOPE DETAIL
N.T.S. (SEE PLANS ABOVE FOR LOCATIONS)



2 24'x40' BLDG. WOOD FOUNDATION PLAN
SCALE: 3/16"=1'-0"

THESE DRAWINGS AND / OR SPECIFICATIONS AND / OR CALCULATIONS FOR THE ITEMS LISTED BELOW HAVE BEEN PREPARED BY OTHER DESIGN PROFESSIONALS WHO ARE LICENSED ARCHITECTS, ENGINEERS, SURVEYORS, LANDSCAPE ARCHITECTS, PLUMBERS, MECHANICAL ENGINEERS, ELECTRICAL ENGINEERS, AND / OR PROFESSIONALS IN THE STATE THESE DOCUMENTS HAVE BEEN EXAMINED BY ME AND HAVE BEEN FOUND TO COMPLY WITH THE REQUIREMENTS OF THE BUILDING CODE OF CALIFORNIA AND THE PROJECT SPECIFICATIONS. THE ITEMS LISTED BELOW ARE ACCEPTABLE FOR INCORPORATION INTO THE CONSTRUCTION OF THIS PROJECT FOR WHICH I AM THE INDIVIDUAL DESIGNATED TO BE IN CHARGE OF THE WORK. I AM NOT PROVIDING ANY DESIGN RESPONSIBILITY FOR THIS POSITION OR LIST ITEMS REVIEWED AND ACCEPTED / FOR DRAWINGS. A LIST OF ALL ACCEPTED DRAWINGS ARE TO BE ATTACHED.

DATE: 1-15-97

EXP. DATE: 1/15/98

LICENSED ARCHITECT
No. C-18188
STATE OF CALIFORNIA

DATE: 1-15-97

DESIGN: (NAME AND) 24'x40' BLDG.
NOT THE L.S.D.
FLOOR LINE L.S.D.
STRUCT. TYPE

PC-330

EX- REVISED

REVISIONS	BY
Δ 5-13-97	BO
Δ 6-30-97/NO CHANGE	BO
Δ 7-29-97	BO
Δ 8-27-97	BO
Δ 80 MPH - SE AT 9MS	BO
Δ 10-14-97	BO

ANDERSON & DOIG
STRUCTURAL ENGINEERS
A CALIFORNIA CORPORATION
10108 PLACER LANE, STE. 100, SACRAMENTO, CA 95825-2511
(916) 486-9696 FAX (916) 486-9696

REGISTERED PROFESSIONAL ENGINEER
No. 24588
State of California

EXPIRES 3-31-00

PACESETTER INDUSTRIES, INC.
P.O. BOX 1131, MODESTO, CA 95353 (209) 521-1600

24x40 RELOCATABLE BUILDING

WOOD FOUNDATION PLANS

REVISIONS	BY
Δ 5-13-97	BO
Δ 6-30-97/NO CHANGE	BO
Δ 7-29-97	BO
Δ 8-27-97	BO
Δ 80 MPH - SE AT 9MS	BO
Δ 10-14-97	BO