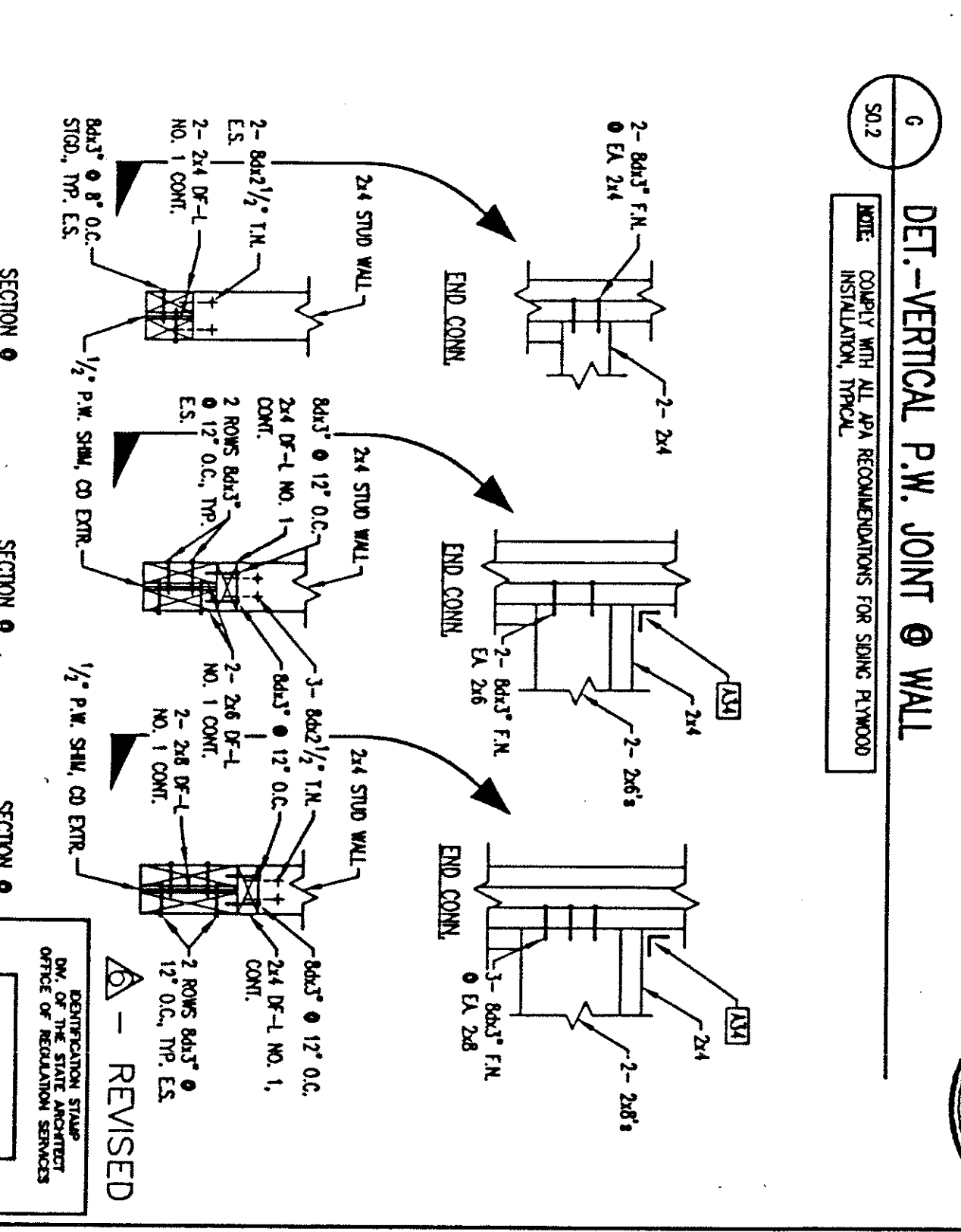
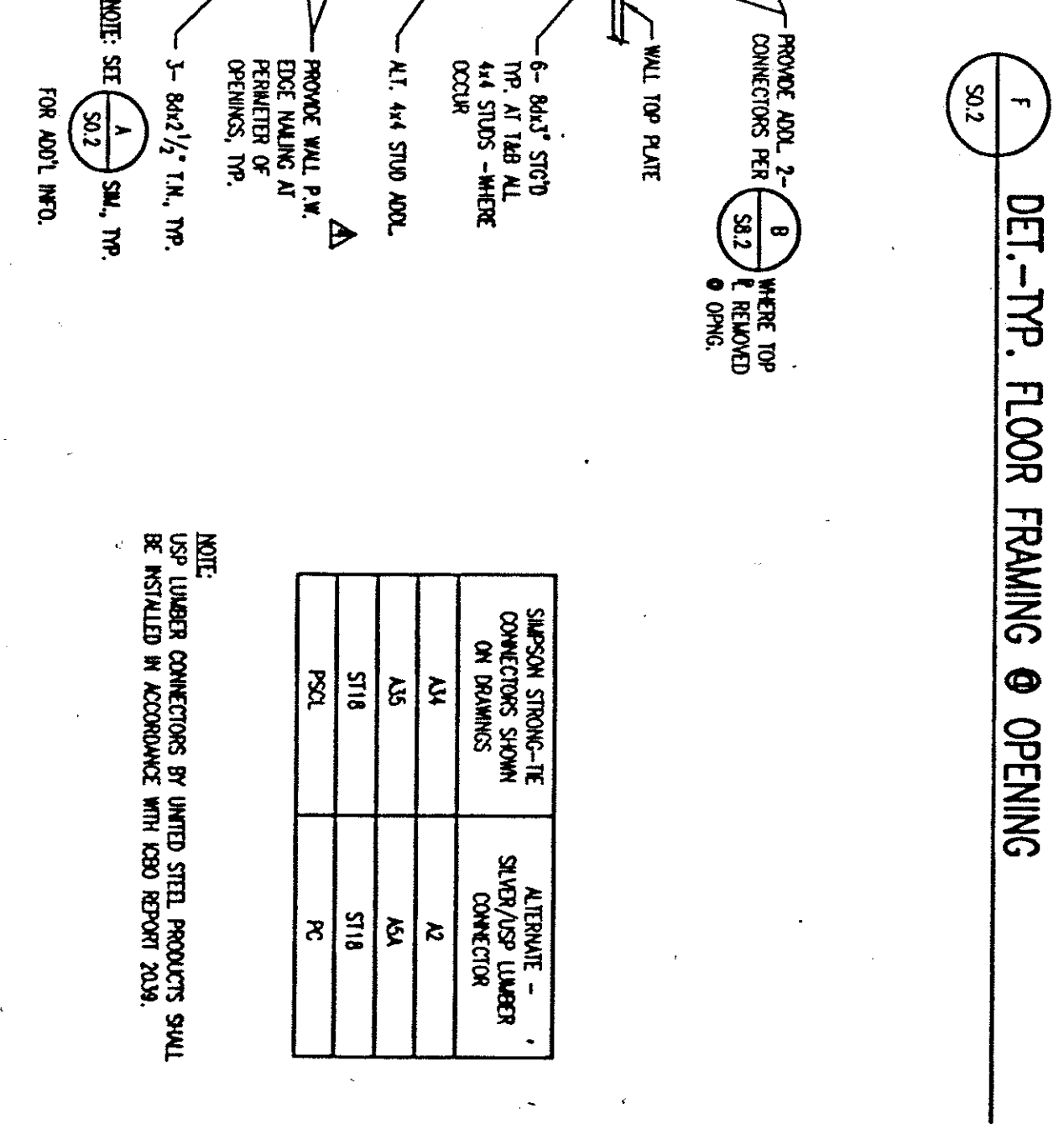
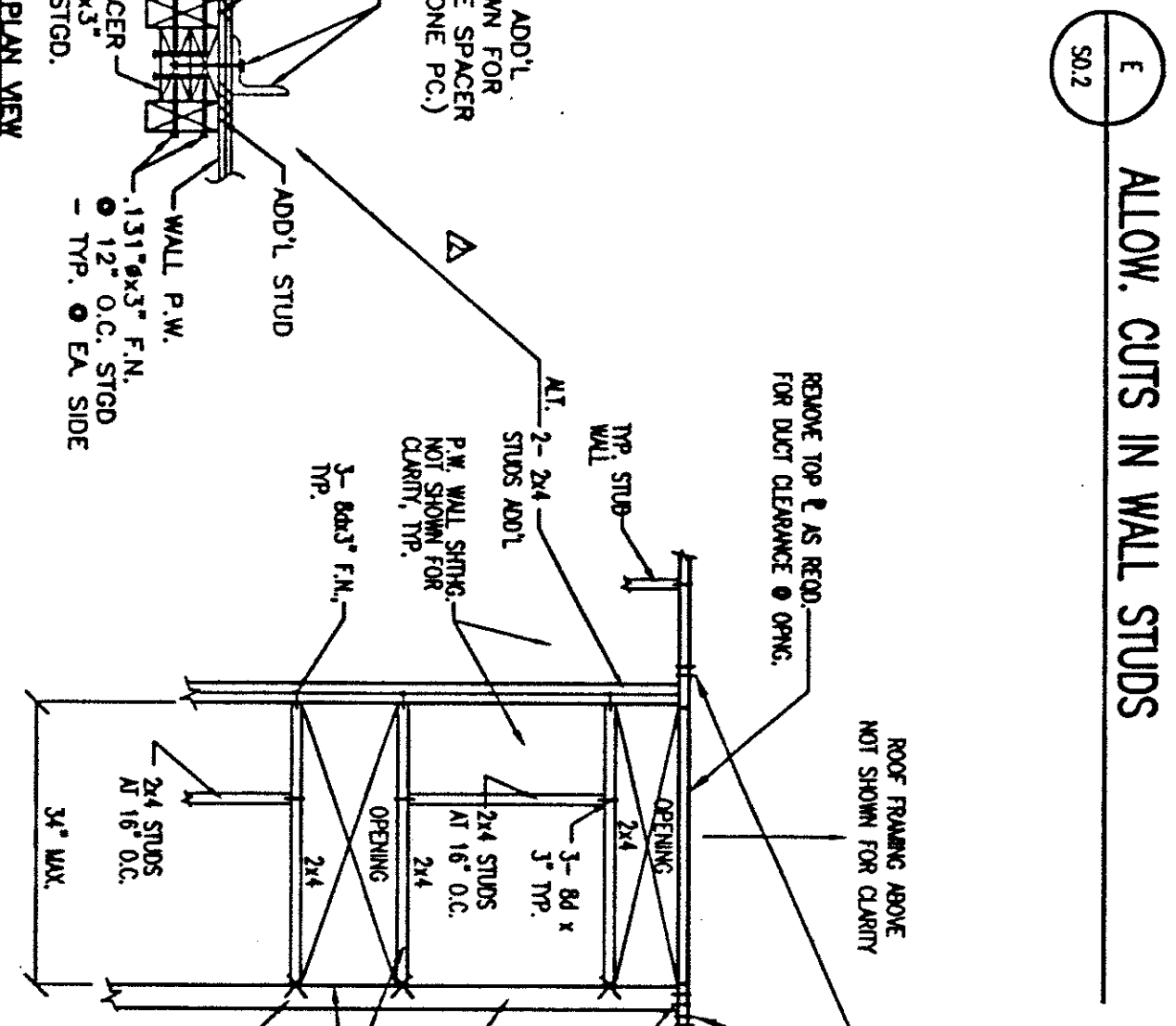
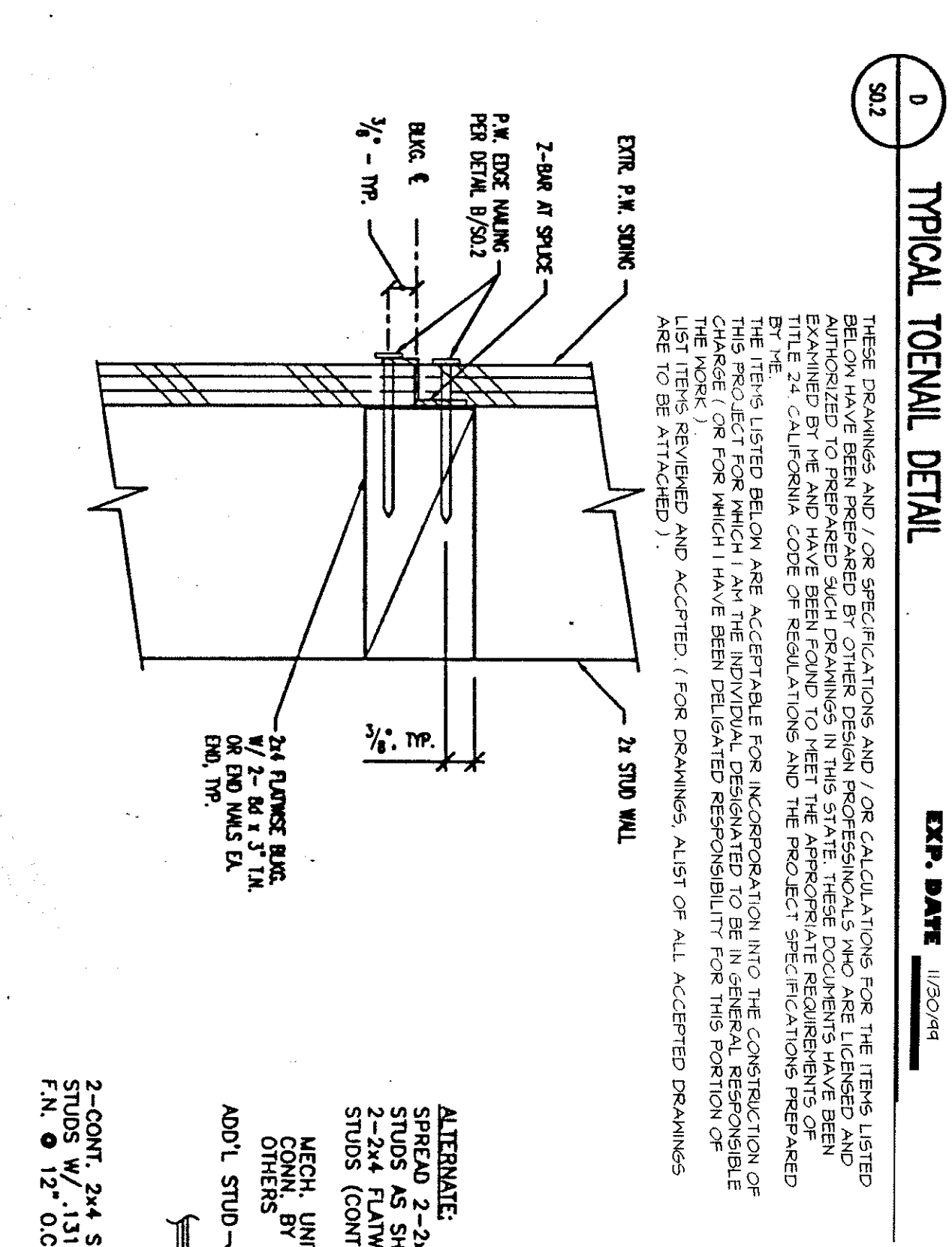
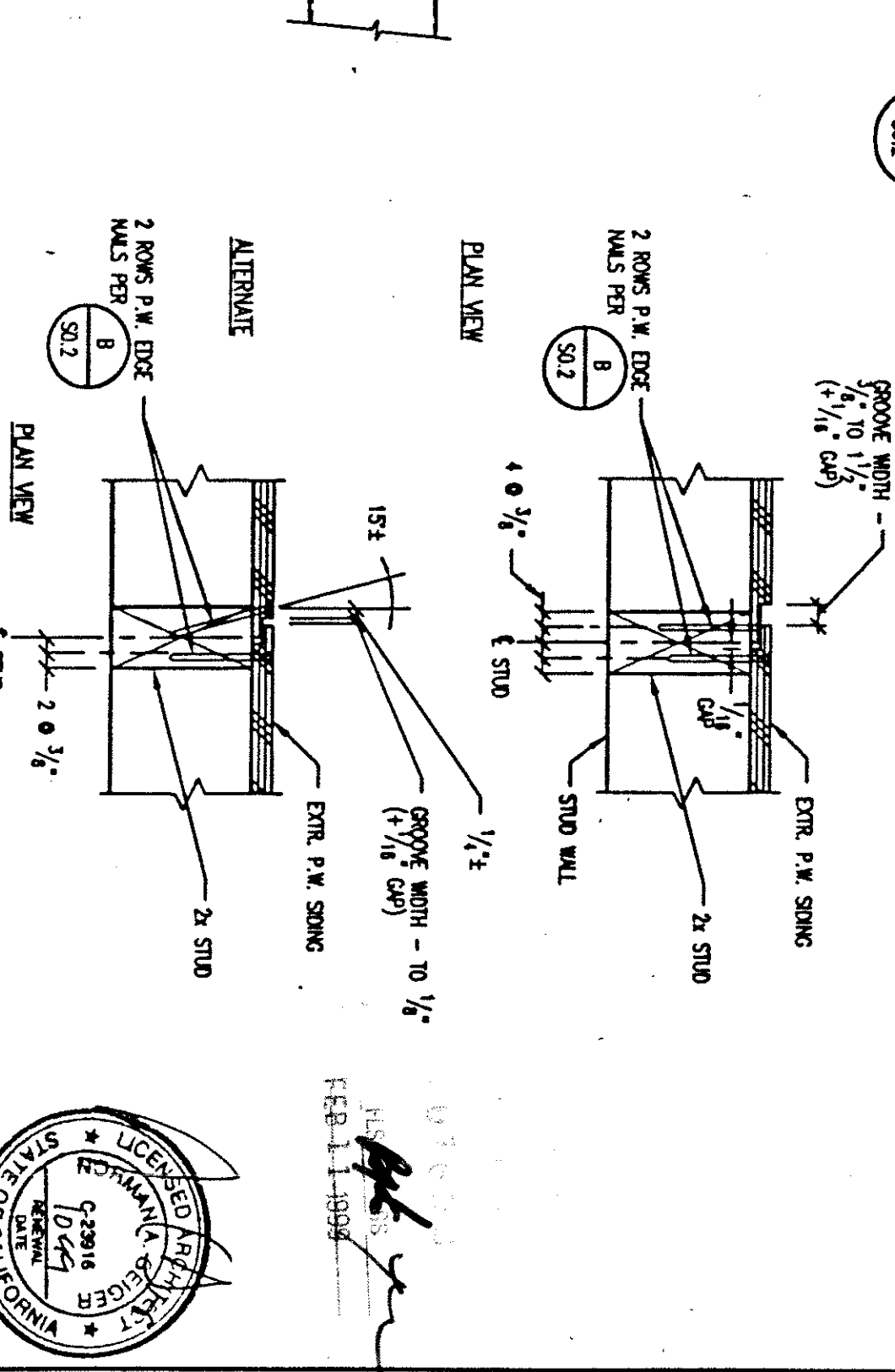
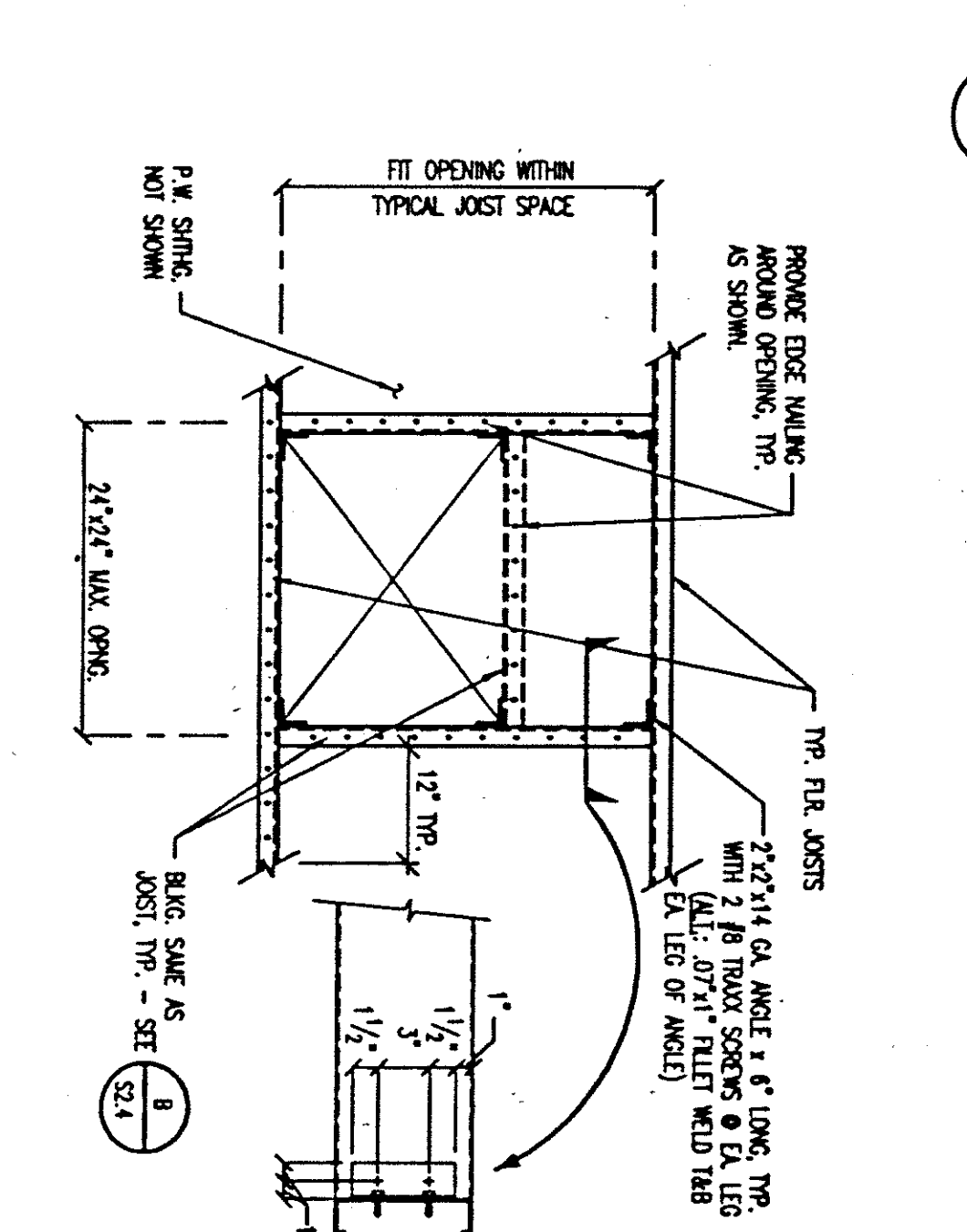
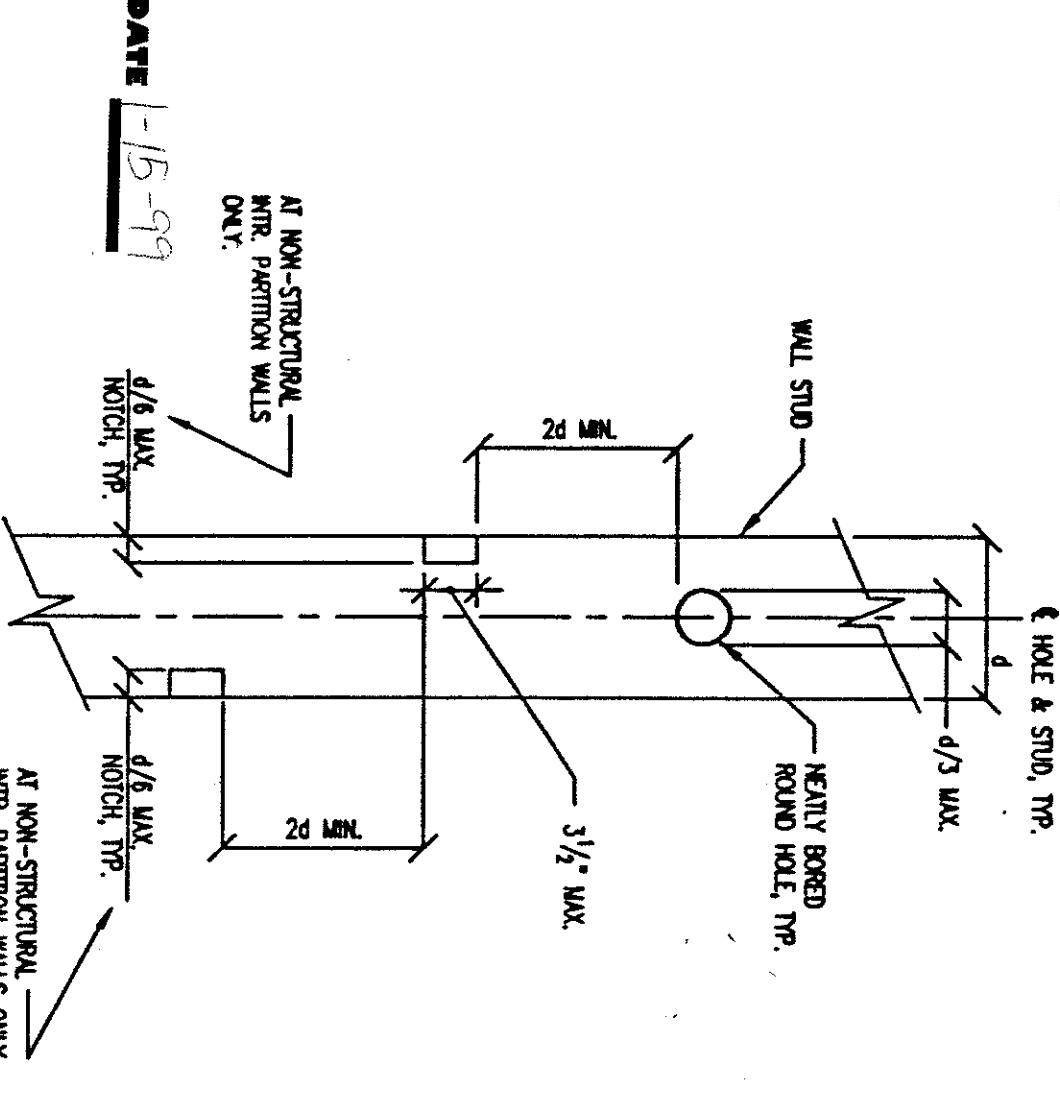
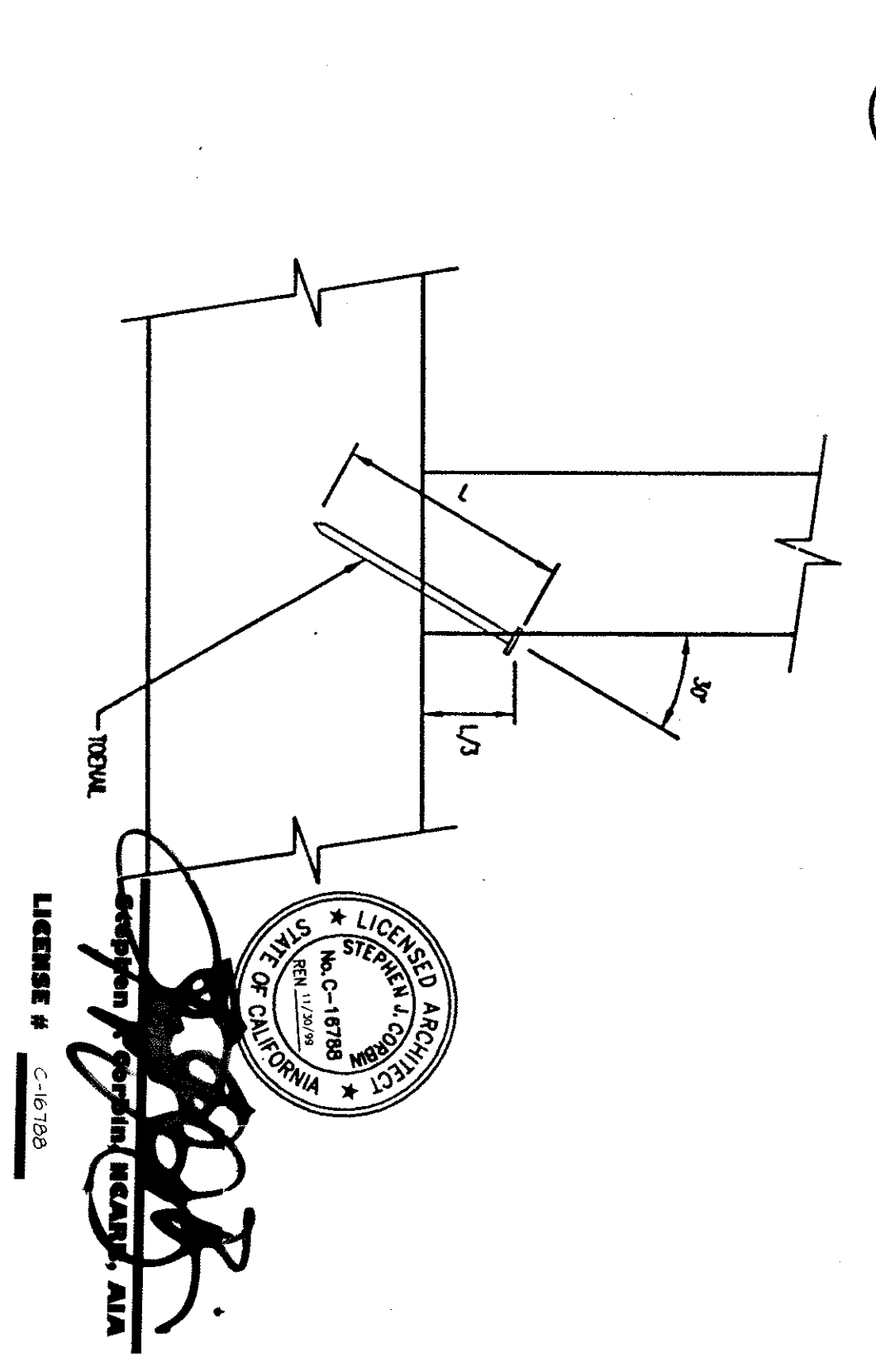
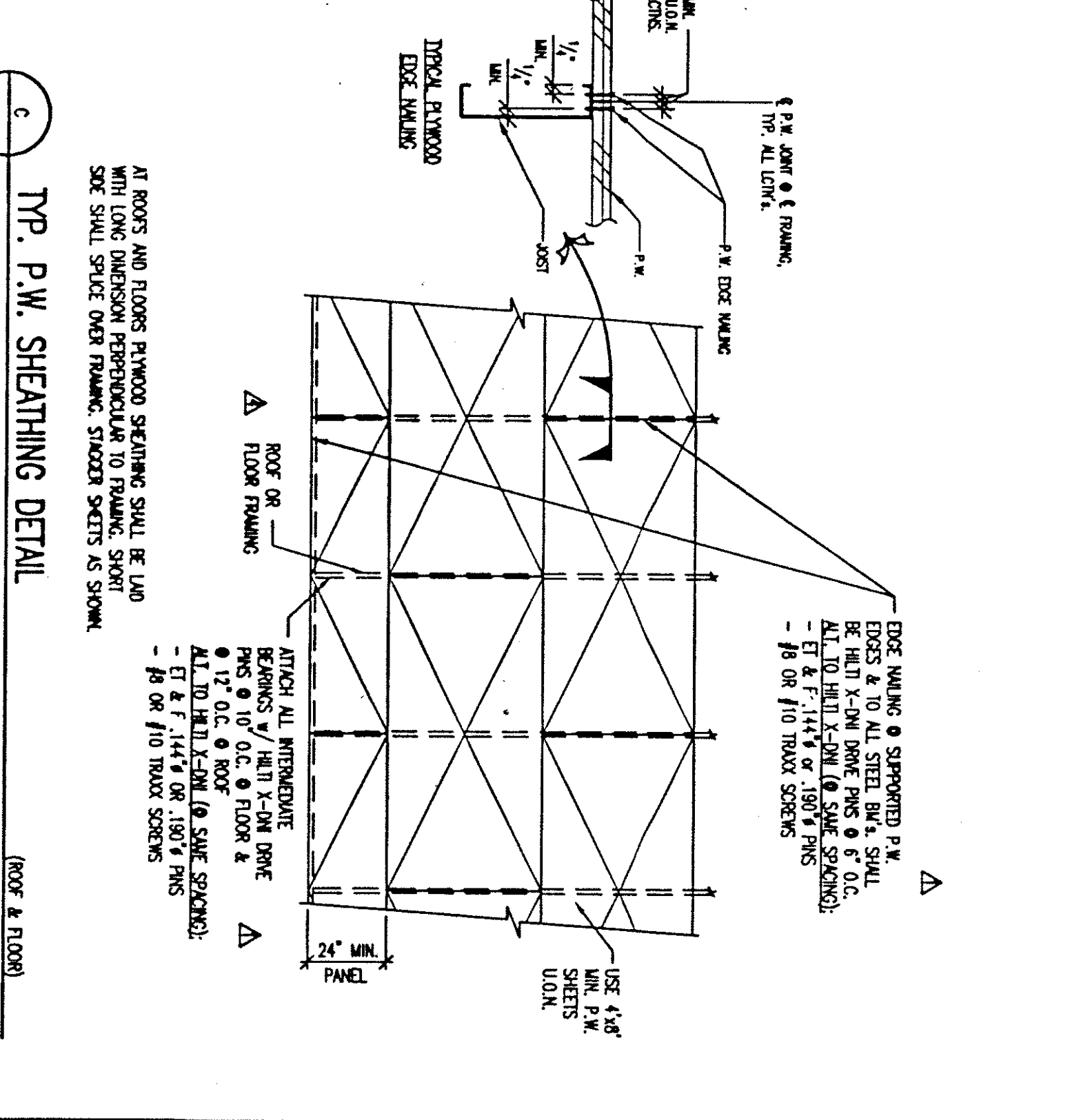
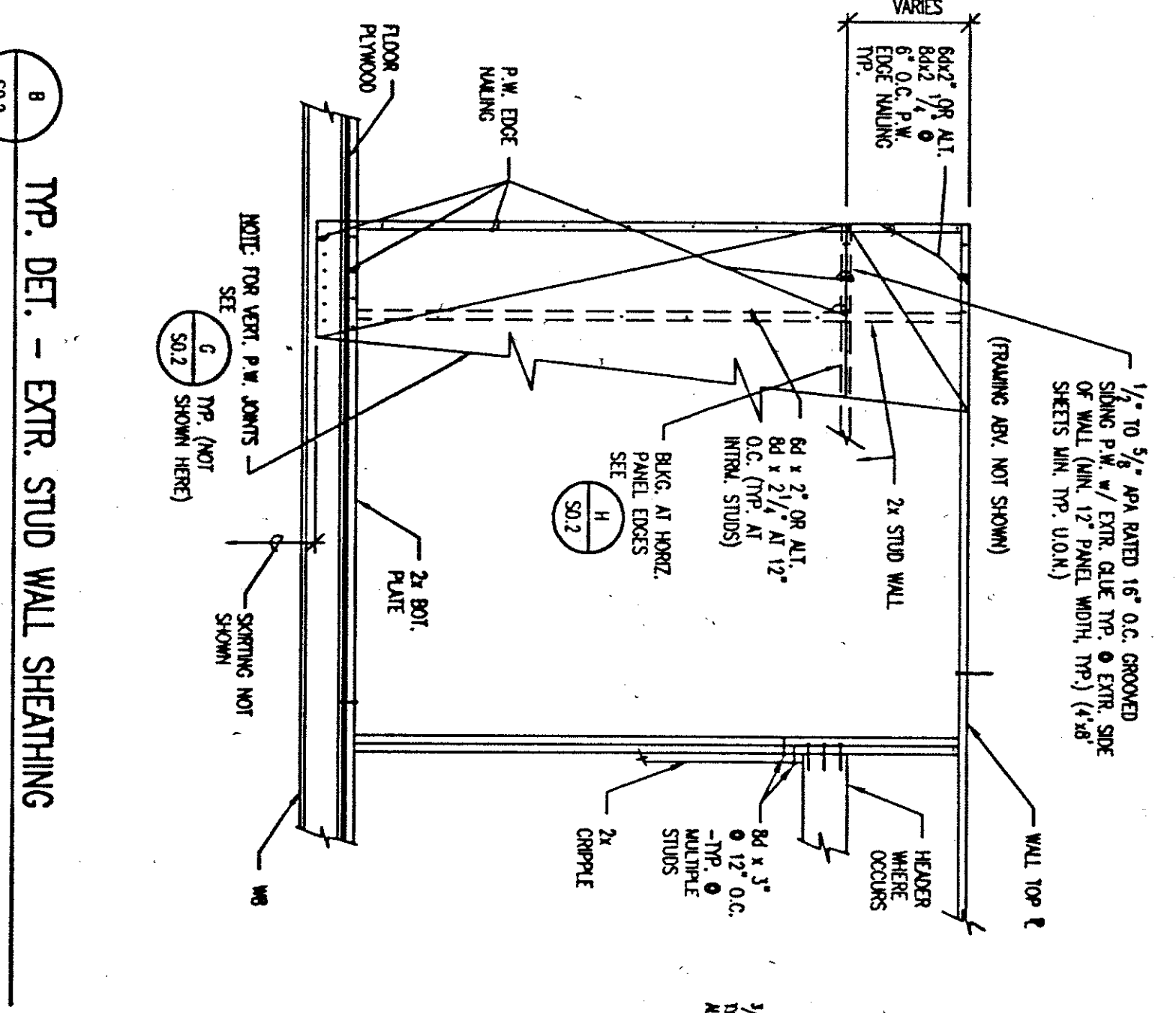
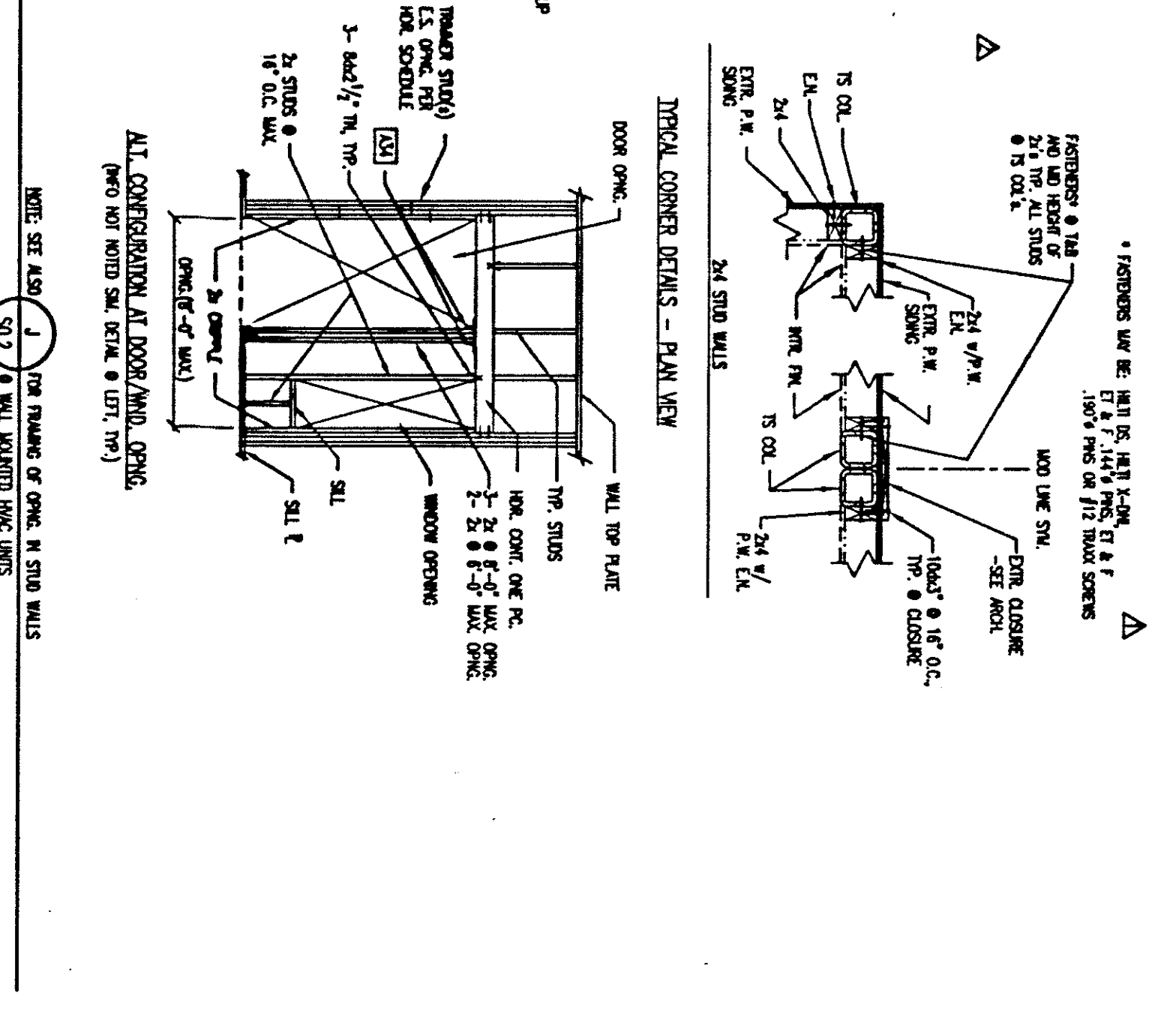
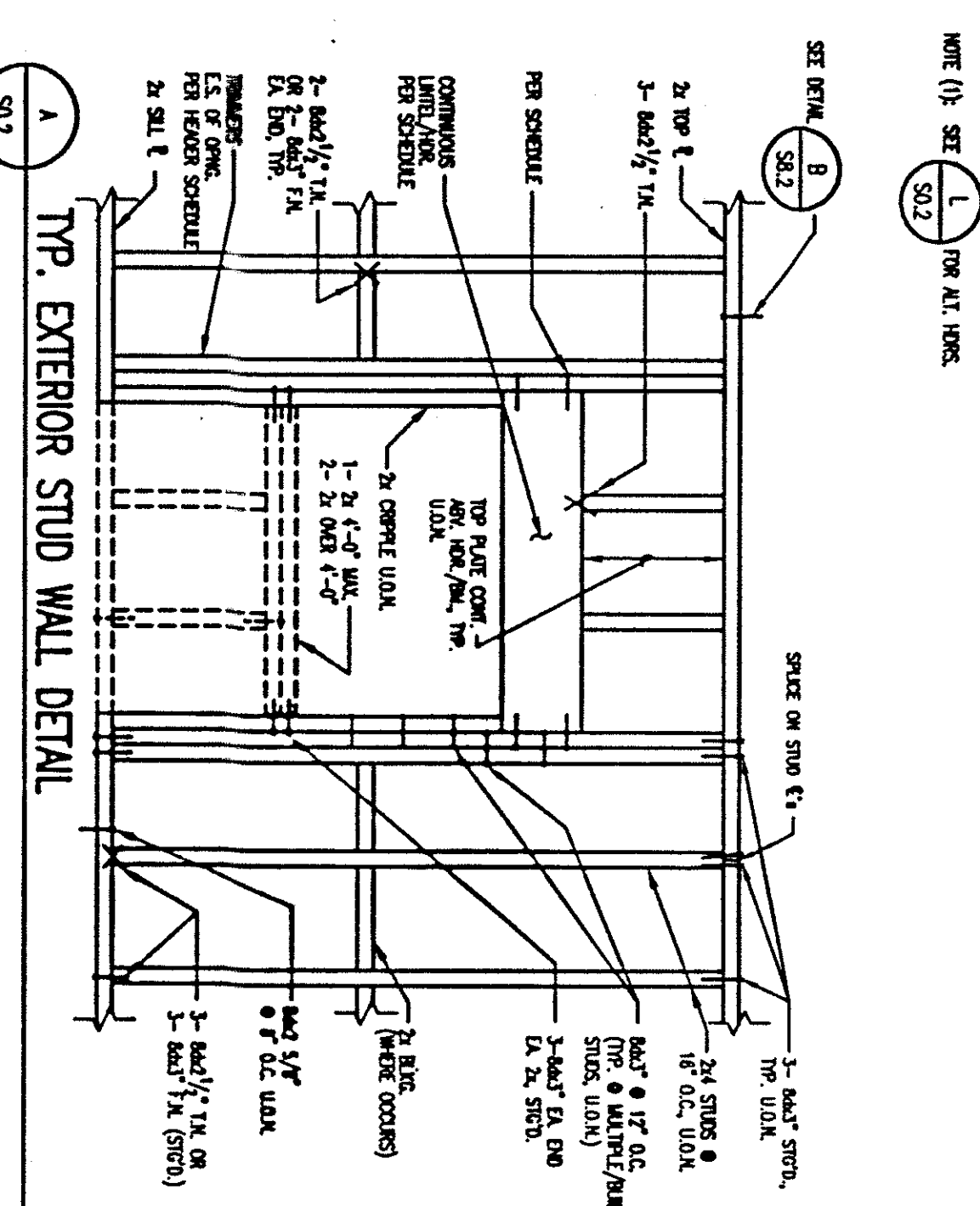


ITEM	DESCRIPTION	QUANTITY	UNIT
1	2x4 STUD WALL	44	(1)
2	2x4 STUD WALL	4	(1)
3	2x4 STUD WALL	4	(1)
4	2x4 STUD WALL	8	(1)
5	2x4 STUD WALL	3	(1)



H DET.-HORIZ. P.W. JOINT @ WALL

J TYP. HVAC FRAMING DET. @ STUD WALL

K ACCEPTABLE ALTERNATE FRAMING CONNECTOR TABLE

L ALT. WOOD STUD WALL HDR'S DETAIL

SAMPSON STRONG-IE CONNECTORS SHOWN ON DRAWINGS	ALTERNATE - SILENT/NOISE REDUCING CONNECTOR
A41	A2
A42	A3
A43	A4
A44	A5
A45	A6
A46	A7
A47	A8
A48	A9
A49	A10
A50	A11
A51	A12
A52	A13
A53	A14
A54	A15
A55	A16
A56	A17
A57	A18
A58	A19
A59	A20
A60	A21

REVISIONS	BY
5-22-97	BO
6-30-97	BO
7-29-97/NO CHANGE	BO
8-27-97	BO
8-30-97 - SEE ALT. SITS	BO
10-14-97	BO

**ANDERSON & DOIG STRUCTURAL ENGINEERS**  
 A CALIFORNIA CORPORATION  
 7000 25TH ST., SACRAMENTO, CA 95825-2511  
 (916) 444-9696 FAX (916) 444-9697

**PACESITTER INDUSTRIES, INC.**  
 P.O. BOX 1131, MODESTO, CA 95353 (209) 521-1600  
**24x40 RELOCATABLE BUILDING**

REGISTERED PROFESSIONAL ENGINEER  
 BRUCE D. DOIG  
 No. 62529  
 10/14/97  
 LICENSED ARCHITECT  
 STACY L. BRUCE  
 No. 1-18988  
 10/14/97  
 LICENSED ARCHITECT  
 VINCENT J. BRUCE  
 No. 1-18988  
 10/14/97

DRYMAN  
 JR  
 CHECKED  
 BD/PLS  
 DATE  
 10-14-97  
 SCALE  
 N.T.S.  
 JOB NO.  
 97007\_PSPC1  
 SHEET  
**SO2**