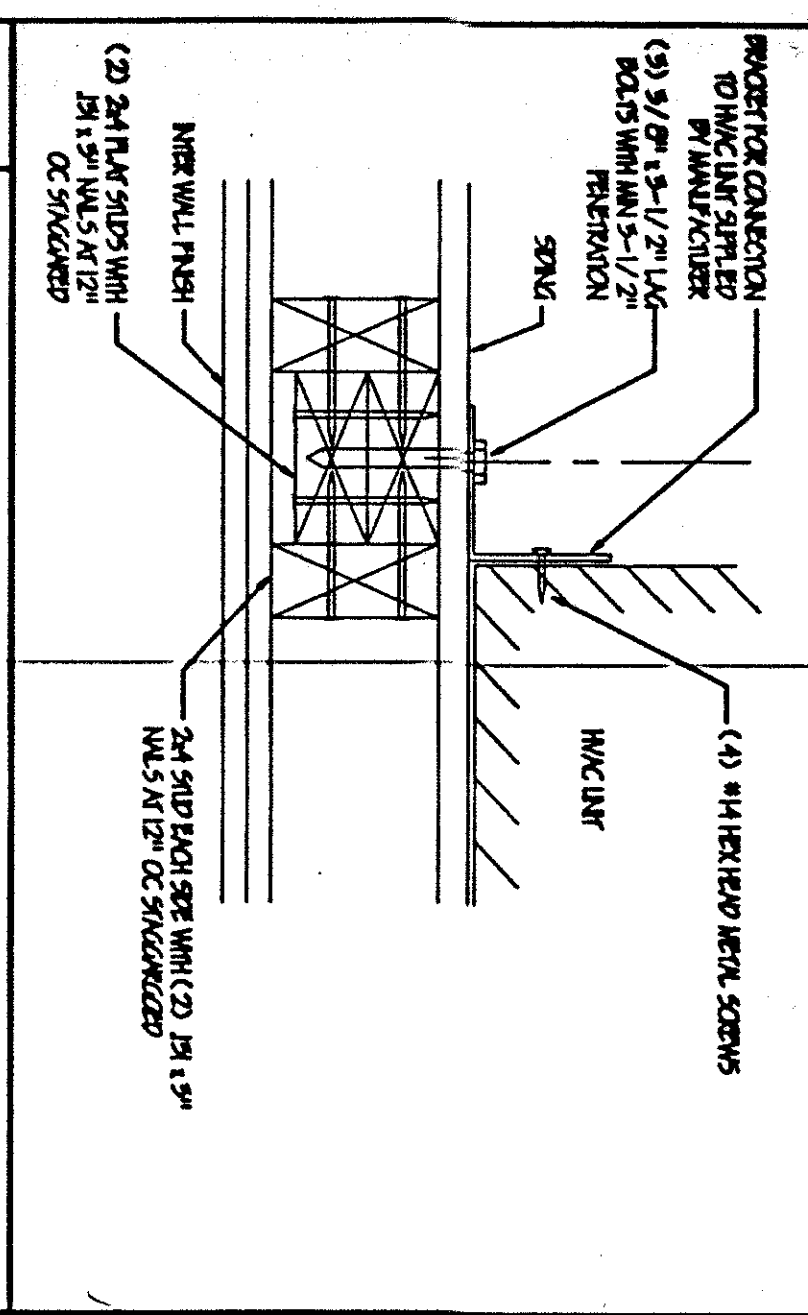
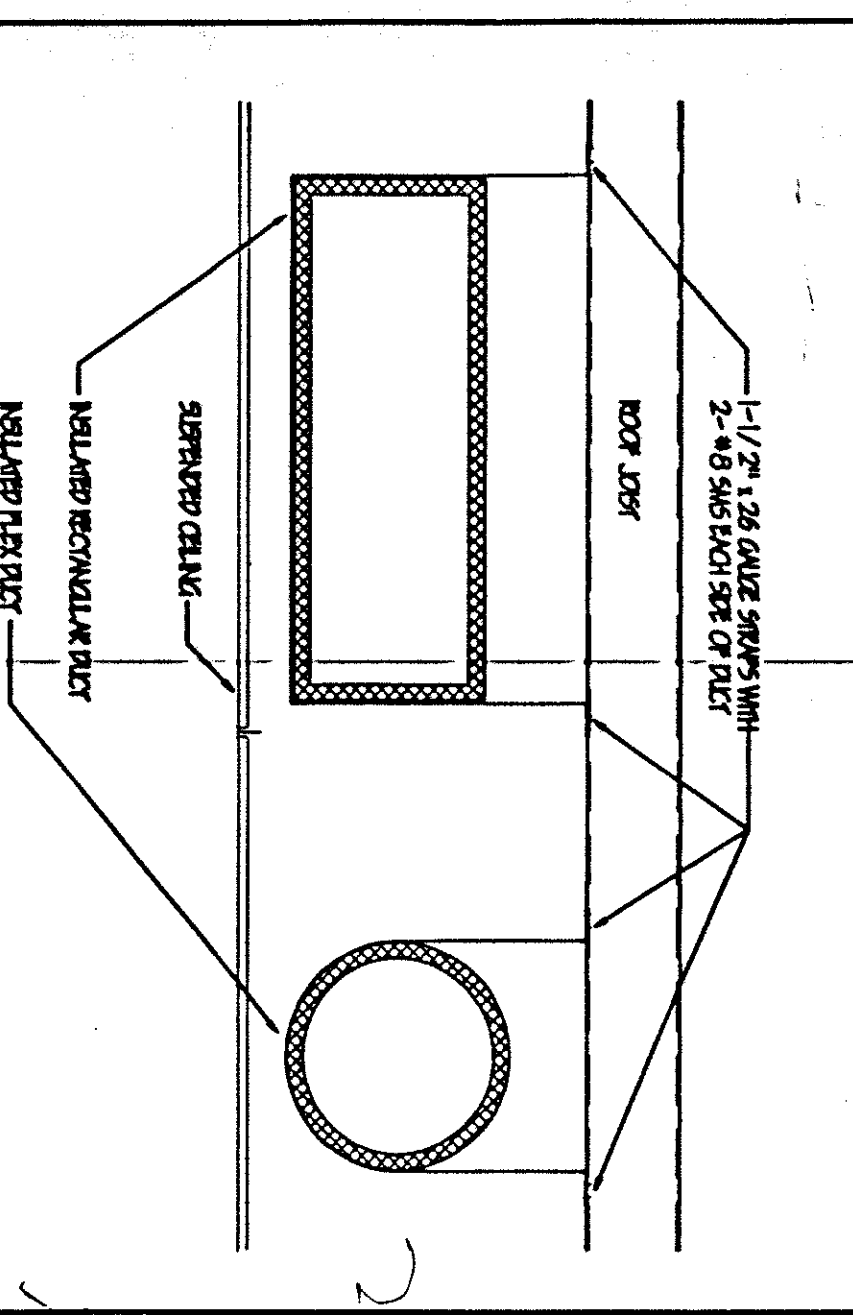


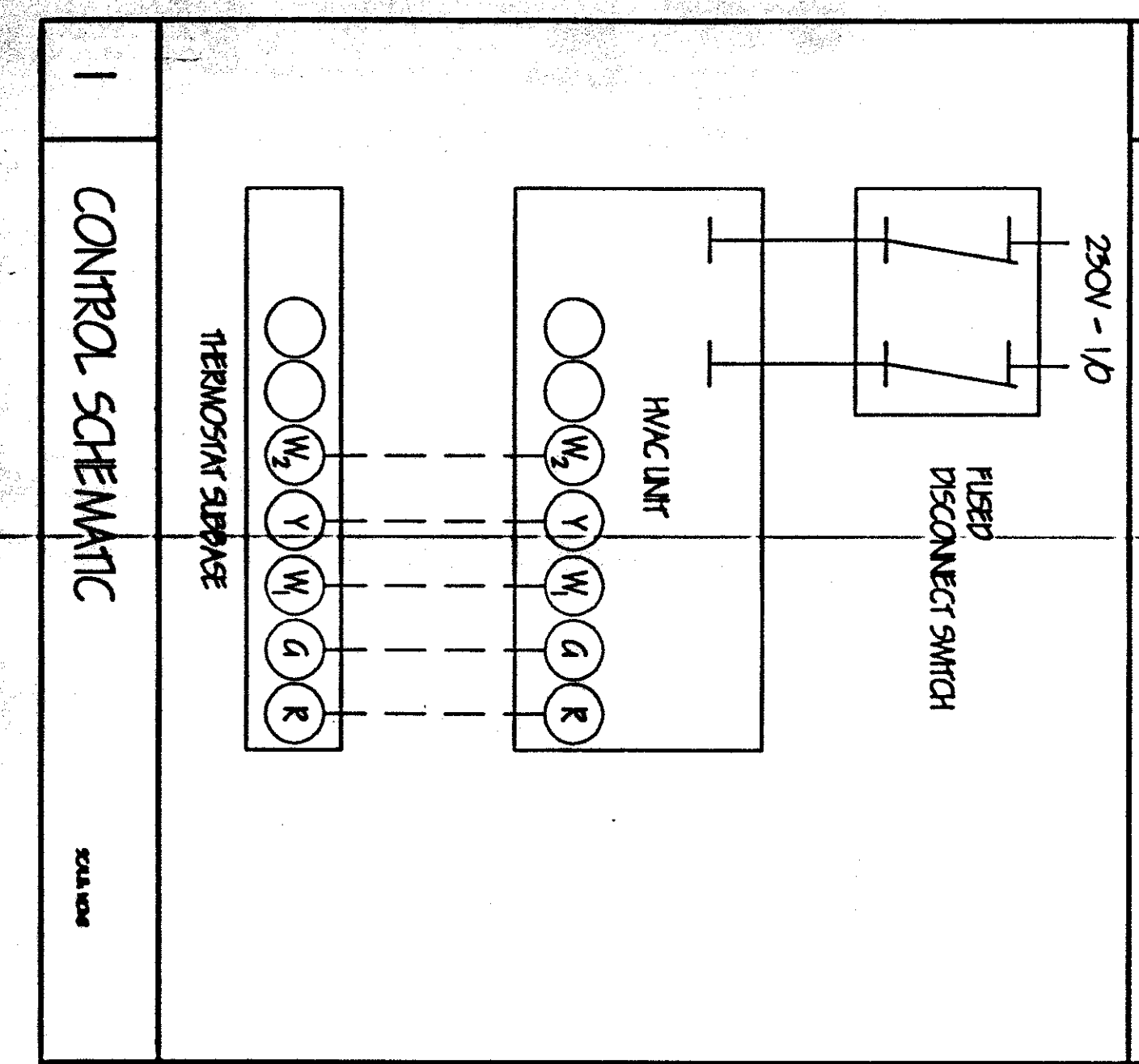
4 ALT. PLENUM DETAILS SCALE: 1/2"=1'-0"



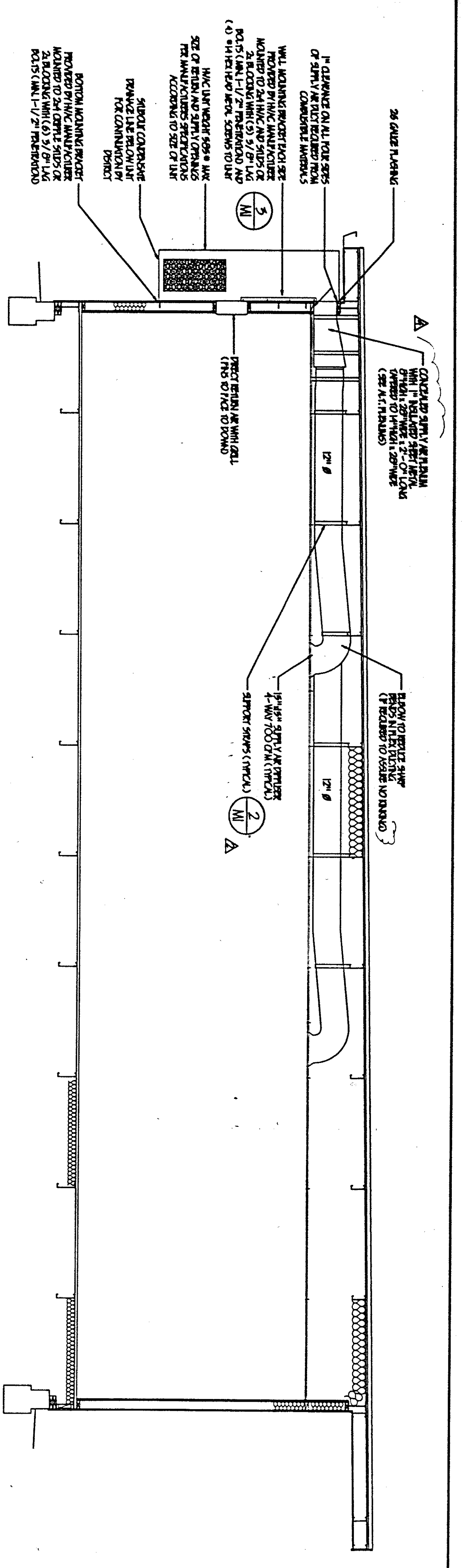
3 ALT. WALL FRAMING AT HVAC SCALE: 1/2"=1'-0"



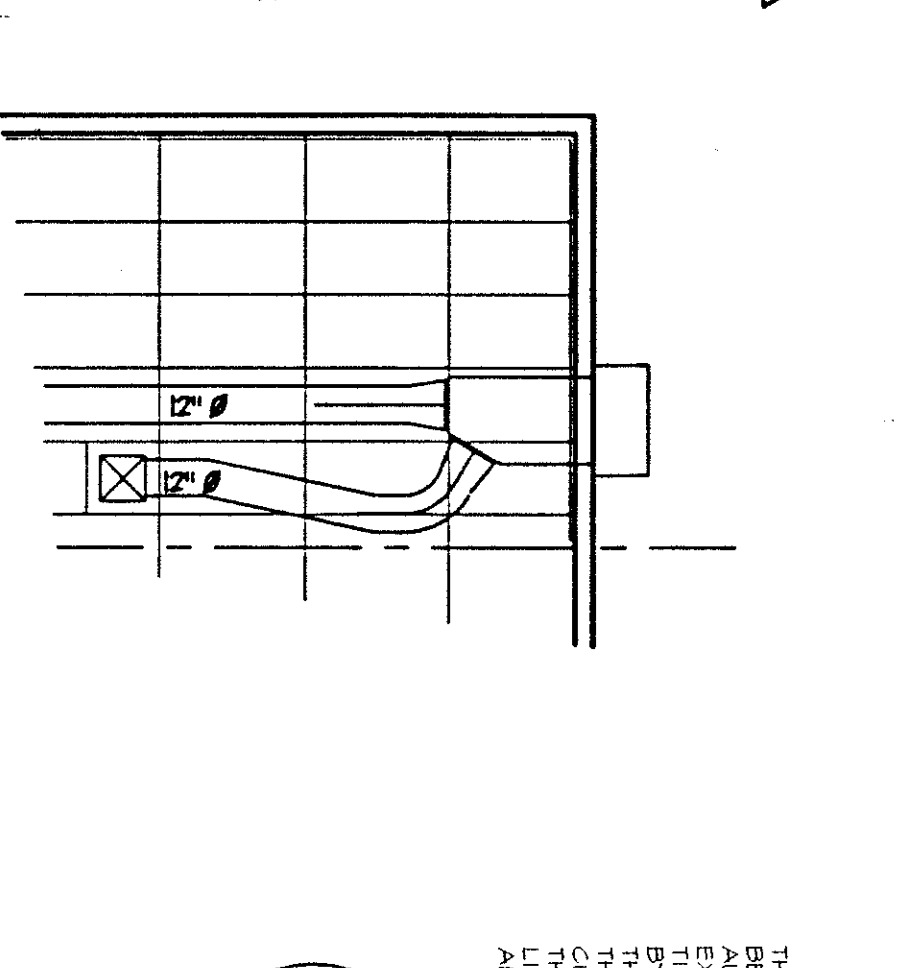
2 DUCT MOUNTING SCALE: 1/2"=1'-0"



1 CONTROL SCHEMATIC SCALE: AS SHOWN

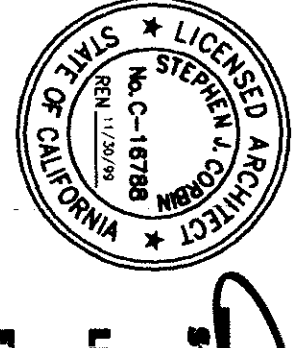


HEAT/SUPPLY AIR DUCT CROSS SECTION SCALE: 1/2"=1'-0"

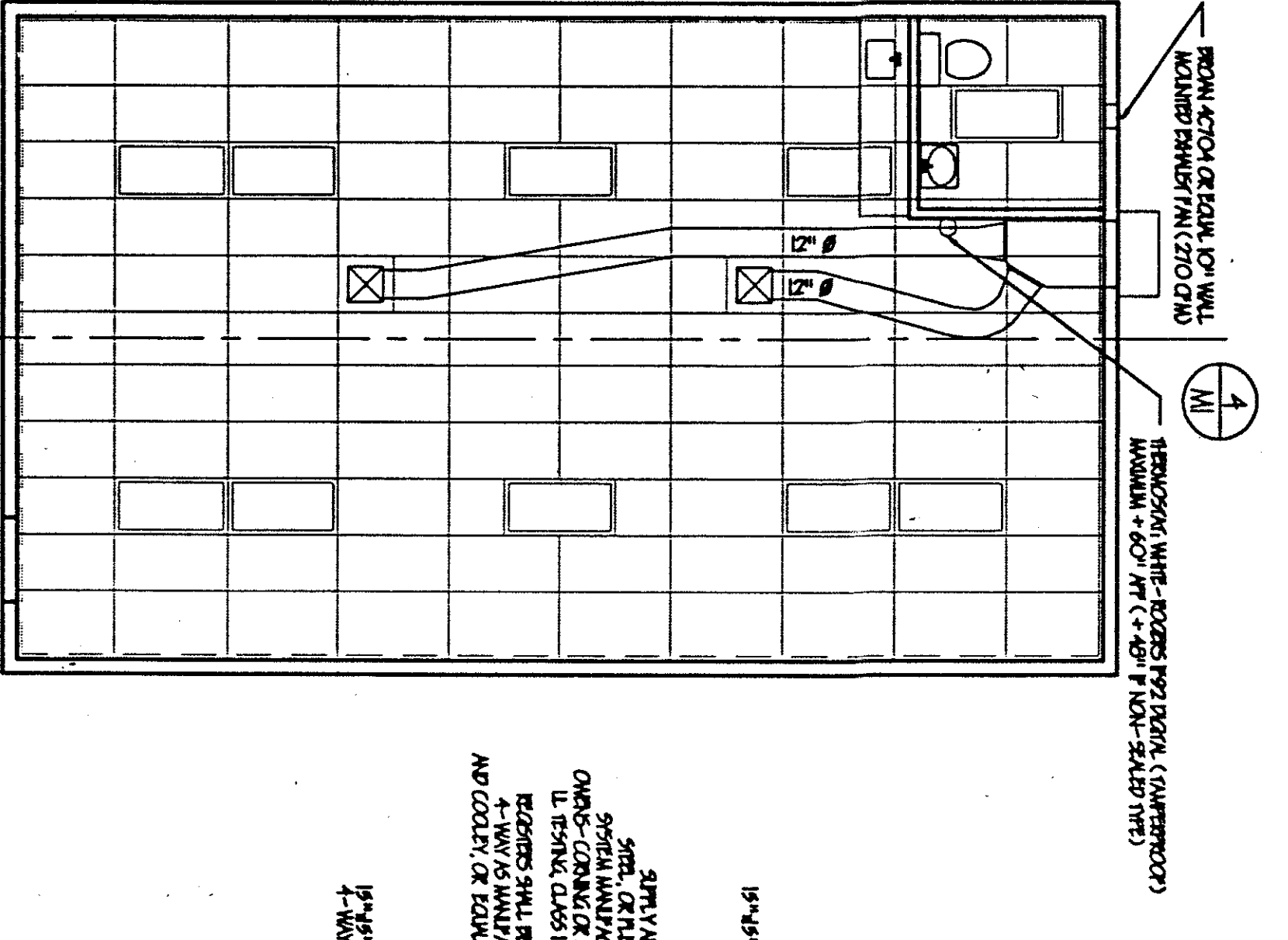


ALT. PLENUM PLANS SCALE: 1/2"=1'-0"

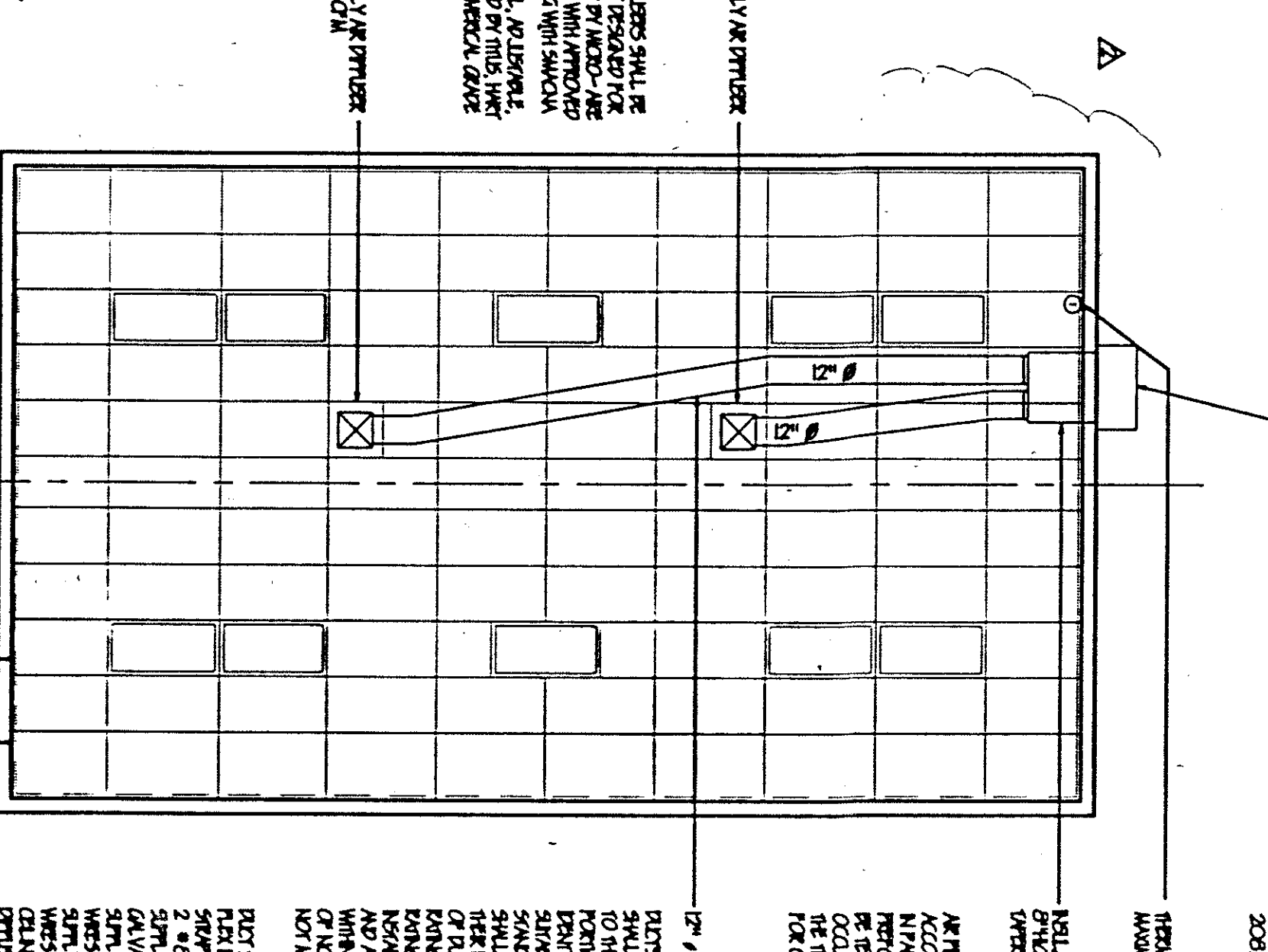
THESE DRAWINGS AND / OR SPECIFICATIONS AND / OR CALCULATIONS FOR THE ITEMS LISTED HEREIN ARE THE PROPERTY OF THE ARCHITECT AND ARE NOT TO BE REPRODUCED OR TRANSMITTED IN ANY FORM OR BY ANY MEANS, ELECTRONIC OR MECHANICAL, INCLUDING PHOTOCOPYING, RECORDING, OR BY ANY INFORMATION STORAGE AND RETRIEVAL SYSTEM, WITHOUT THE WRITTEN PERMISSION OF THE ARCHITECT. THE ARCHITECT'S LIABILITY IS LIMITED TO THE DESIGN AND CONSTRUCTION OF THE ITEMS LISTED BELOW AND IS NOT TO BE HELD RESPONSIBLE FOR THE CONSTRUCTION OF THE ITEMS LISTED ABOVE OR FOR ANY OTHER ITEMS LISTED IN THESE DRAWINGS. THE ARCHITECT'S LIABILITY IS LIMITED TO THE DESIGN AND CONSTRUCTION OF THE ITEMS LISTED BELOW AND IS NOT TO BE HELD RESPONSIBLE FOR THE CONSTRUCTION OF THE ITEMS LISTED ABOVE OR FOR ANY OTHER ITEMS LISTED IN THESE DRAWINGS.



STEVEN J. SMITH
 LICENSE # C-16788
 EXP. DATE 11/30/99
 DATE 1-15-99



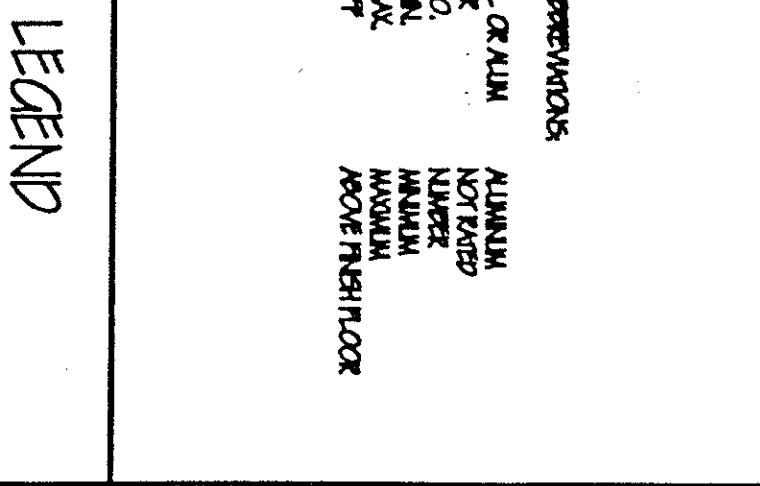
24'x40' ALT. MECHANICAL (HVAC) PLAN SCALE: 1/2"=1'-0"



24'x40' MECHANICAL (HVAC) PLAN SCALE: 1/2"=1'-0"

GENERAL NOTES

- 1. ALL MECHANICAL EQUIPMENT SHALL BE RIGIDLY MOUNTED TO THE STRUCTURE OF THE BUILDING AND SHALL NOT BE CLOSER THAN 6" TO THE WALLS.
- 2. ALL MECHANICAL EQUIPMENT SHALL BE RIGIDLY MOUNTED TO THE STRUCTURE OF THE BUILDING AND SHALL NOT BE CLOSER THAN 6" TO THE WALLS.
- 3. ALL MECHANICAL EQUIPMENT SHALL BE RIGIDLY MOUNTED TO THE STRUCTURE OF THE BUILDING AND SHALL NOT BE CLOSER THAN 6" TO THE WALLS.
- 4. ALL MECHANICAL EQUIPMENT SHALL BE RIGIDLY MOUNTED TO THE STRUCTURE OF THE BUILDING AND SHALL NOT BE CLOSER THAN 6" TO THE WALLS.
- 5. ALL MECHANICAL EQUIPMENT SHALL BE RIGIDLY MOUNTED TO THE STRUCTURE OF THE BUILDING AND SHALL NOT BE CLOSER THAN 6" TO THE WALLS.



APPROVALS

10169

PC 330

DATE: APR 28, 1997

REV. #1: MAY 15, 1997

REV. #2: JUN 20, 1997

REV. #3: AUGUST 1, 1997

REV. #4: AUGUST 26, 1997

SCALE: AS SHOWN

PROJECT NUMBER: 97-03

SHEET: M1

PACESETTER INDUSTRIES, INC.
 P.O. BOX 1131, MODESTO, CA 95353 (209) 521-1600

24x40 RELOCATABLE BUILDING

NORMAN A. GEIGER
 P.O. BOX 41064
 Sacramento, CA 95841
 (916) 382-2463 FAX
 (916) 382-2463 PHONE

GRAPHICS
 ARCHITECTURAL
 SERVICES
 GEIGER