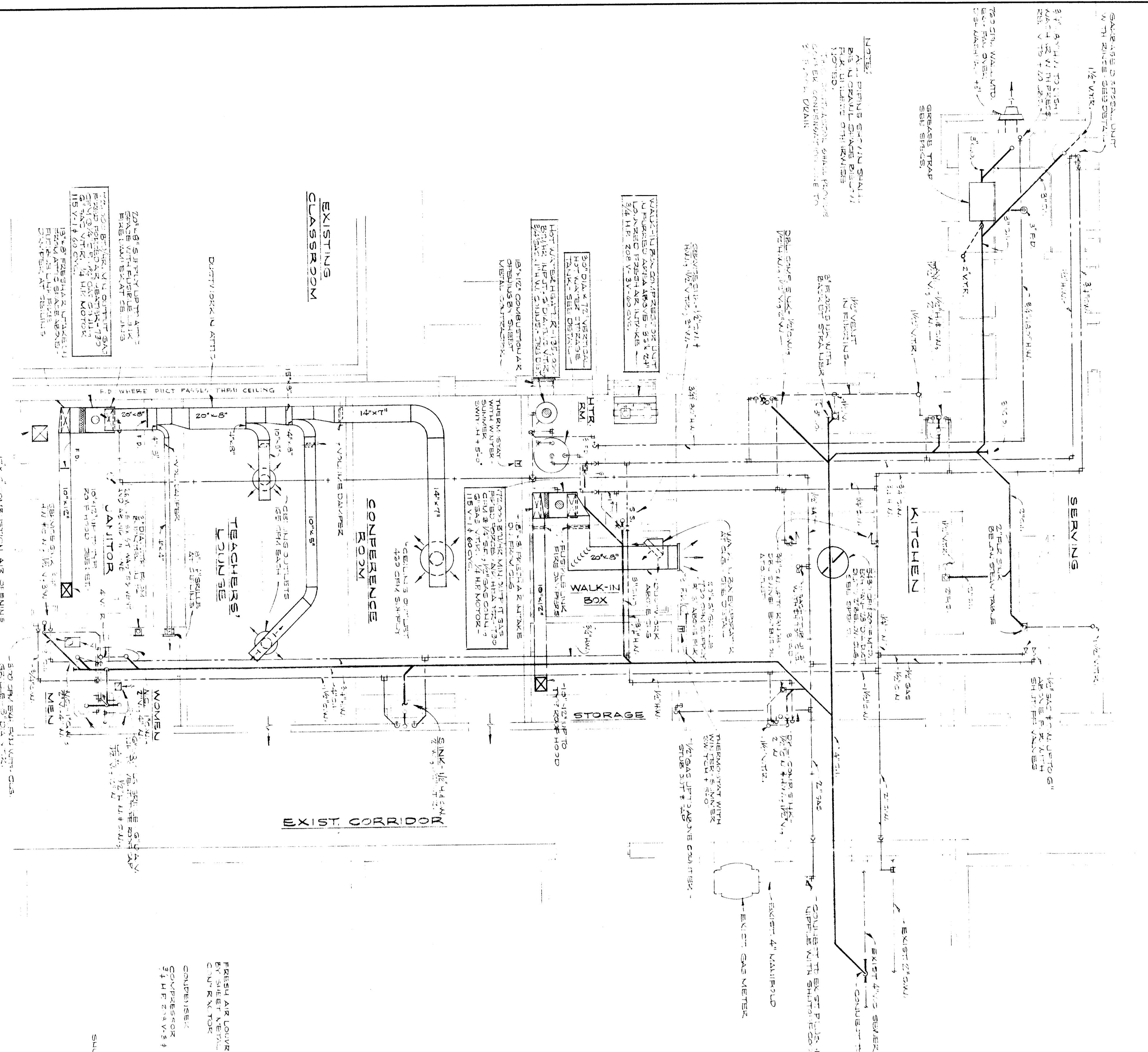


EXIST. CAFETERIA



**HEATING, VENTILATING & PLUMBING
PLAN - UNIT C**

OFFICE OF SUPERINTENDENT OF SCHOOLS
APPROVED _____ DATE _____

STATE OF CALIFORNIA
DEPARTMENT OF PUBLIC WORKS
DIVISION OF ARCHITECTURE

STATE OF CALIFORNIA, DEPARTMENT OF PUBLIC WORKS
DIVISION OF ARCHITECTURE
SUPERVISING ARCHITECTURAL ENGINEER

CHECK AND VERIFY ALL DIMENSIONS AND CONDITIONS AT JOB SITE BEFORE PROCEEDING WITH THE WORK. REPORT ANY DISCREPANCIES TO THE ARCHITECT.

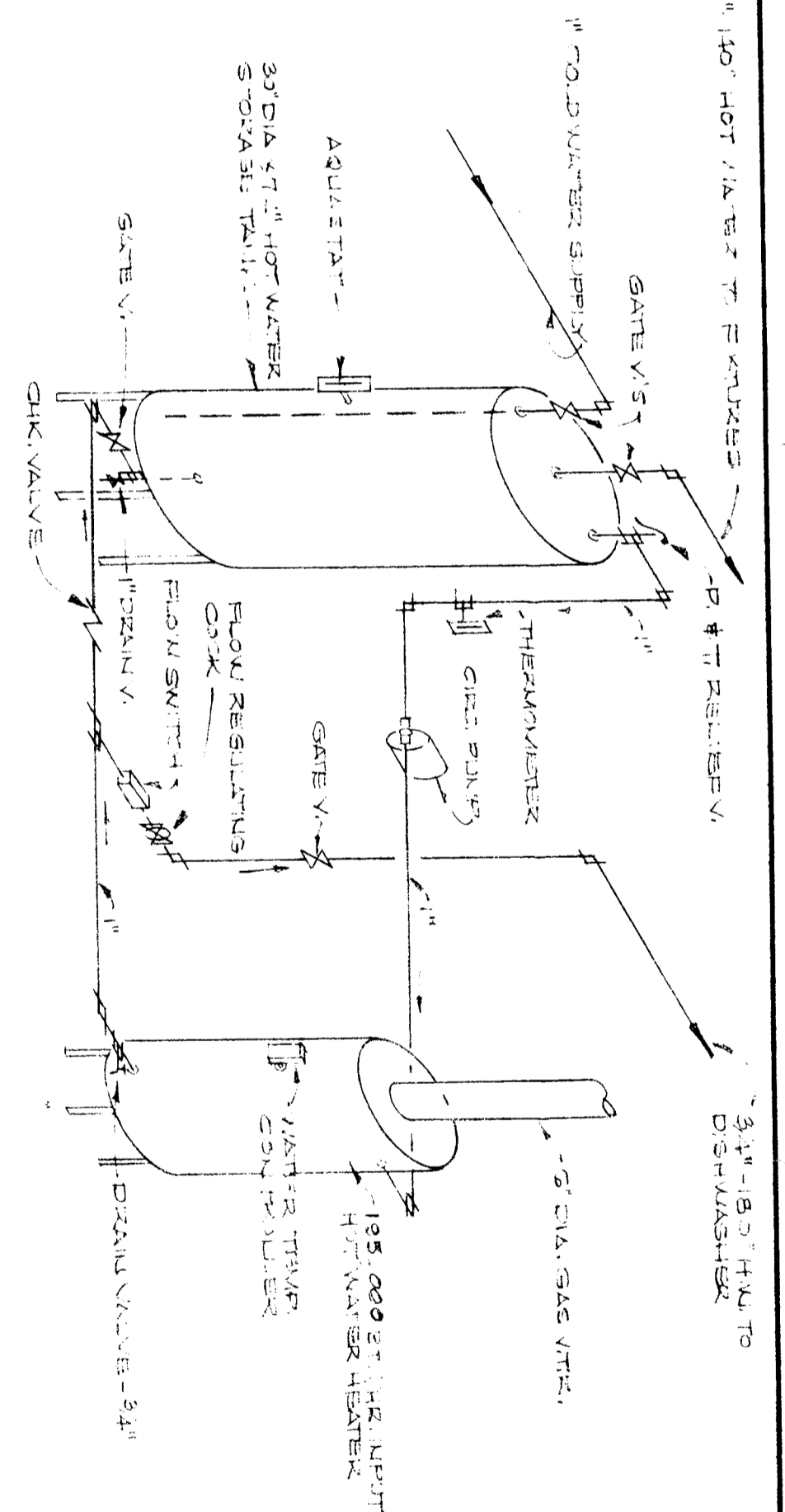
ERNEST L. MCGOY ARCHITECT
2811 H STREET
BAKERSFIELD
CALIFORNIA

DATE _____
DRAWN BY _____
CHECKED BY _____
OF _____ SHEET NO. _____

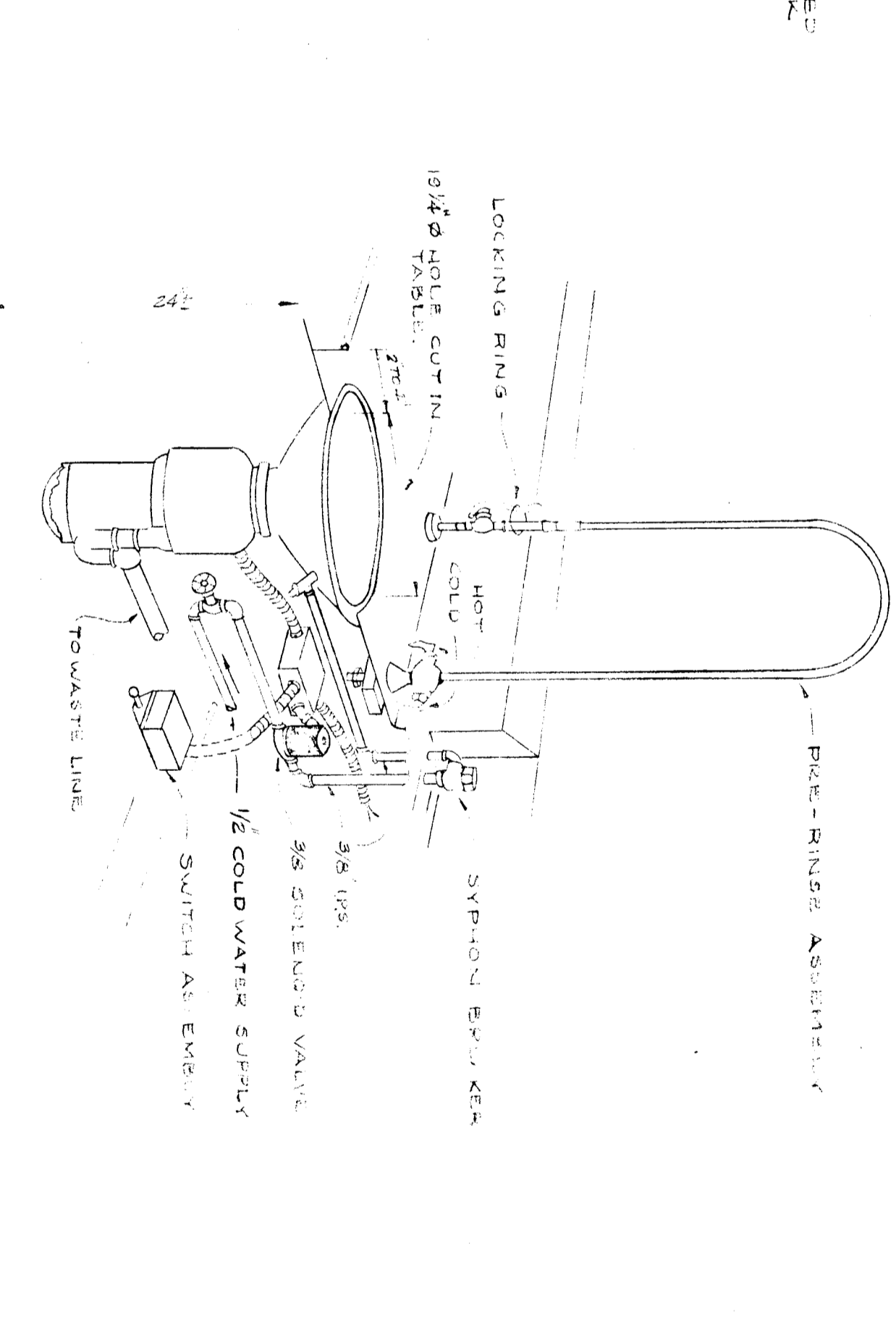
ERNEST L. MCGOY ARCHITECT
2811 H STREET
BAKERSFIELD
CALIFORNIA

DATE _____
DRAWN BY _____
CHECKED BY _____
OF _____ SHEET NO. _____

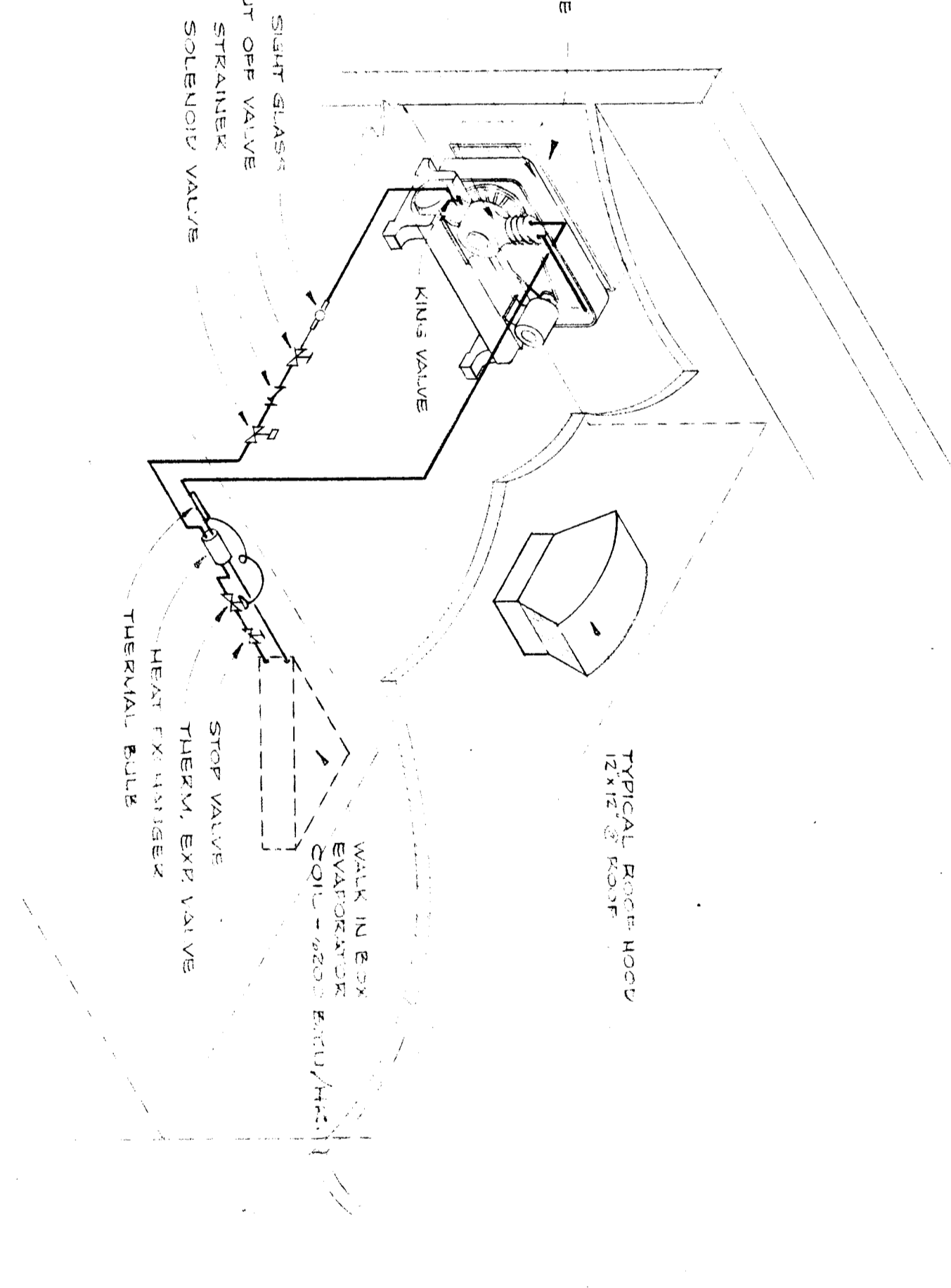
**TYPICAL PIPING DIAGRAM
HOT WATER HEATER**



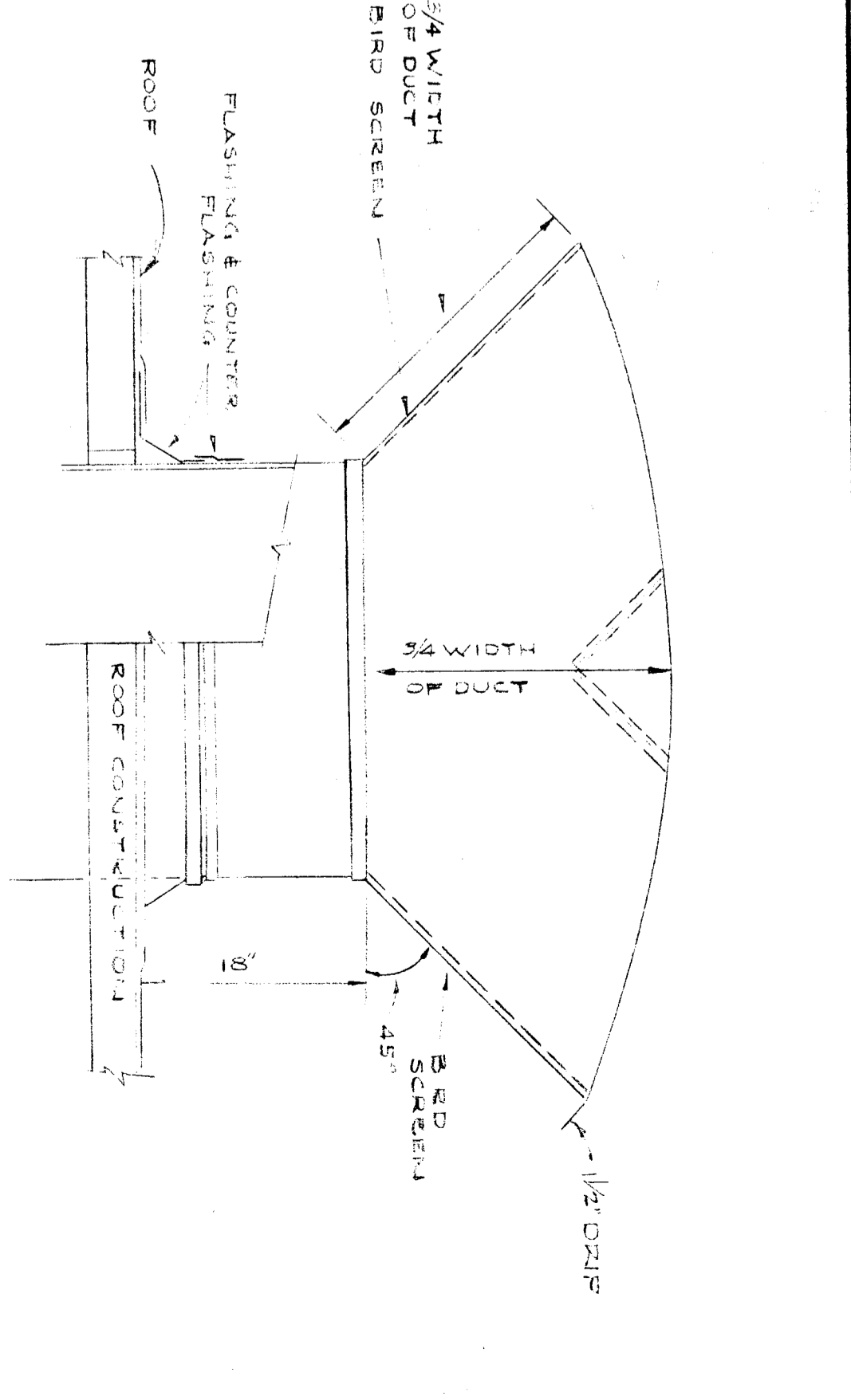
**TYPICAL PIPING DIAGRAM
GARBAGE DISPOSAL**



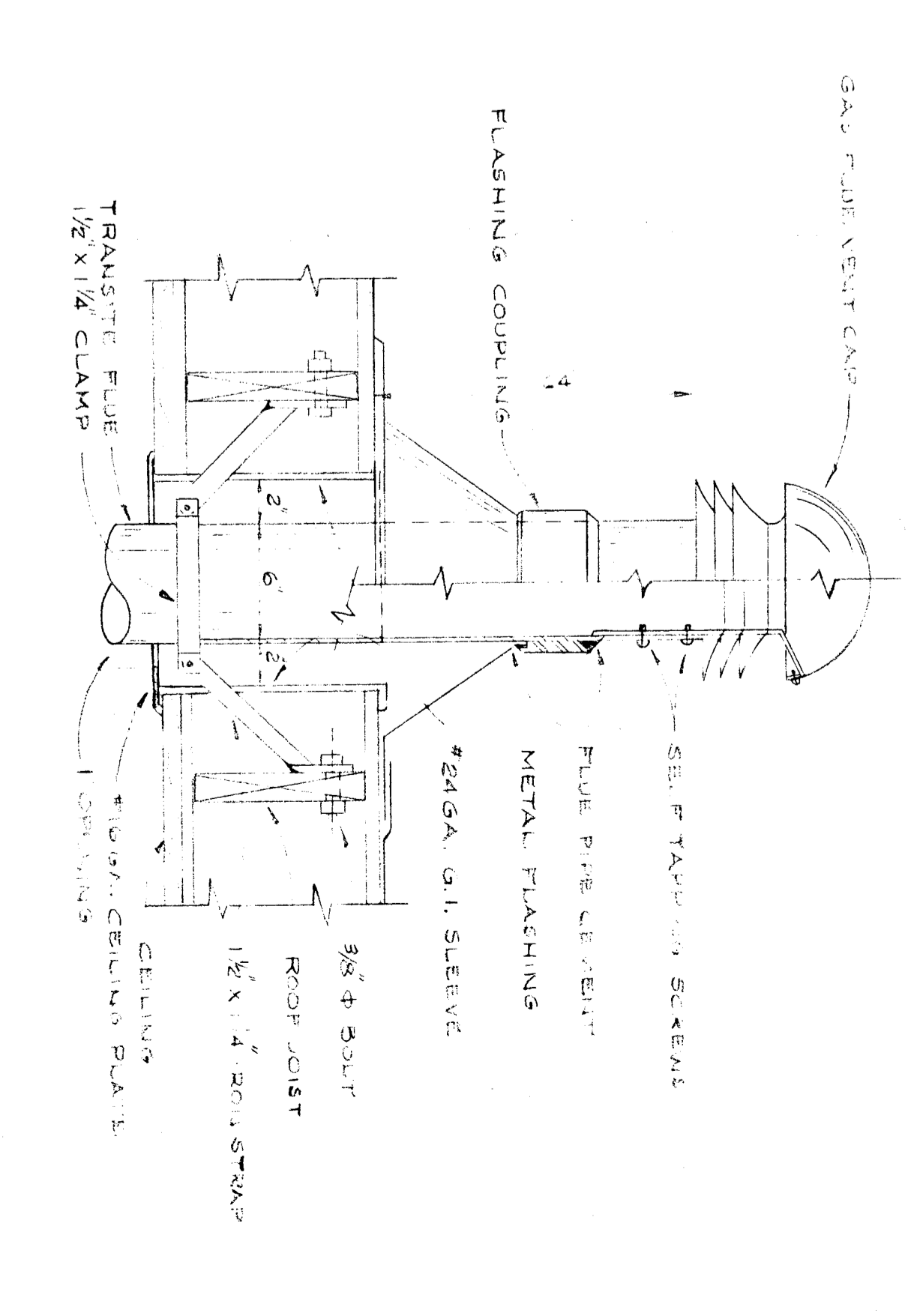
REFRIGERANT PIPING DIAGRAM



TYPICAL ROOF HOOD



TYPICAL HEATER VENT



DETAIL OF BOILER STACK THIMBLE

