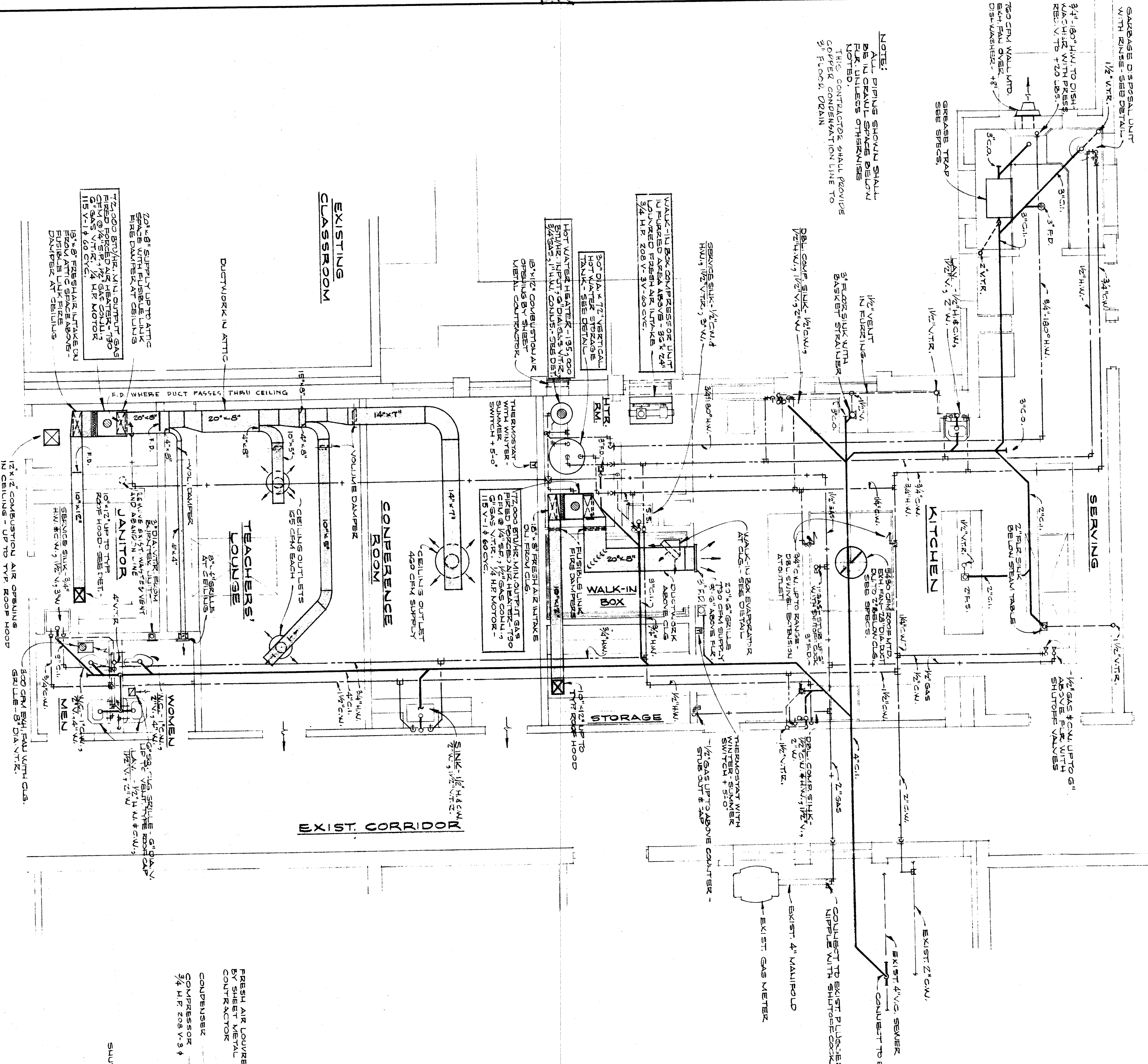


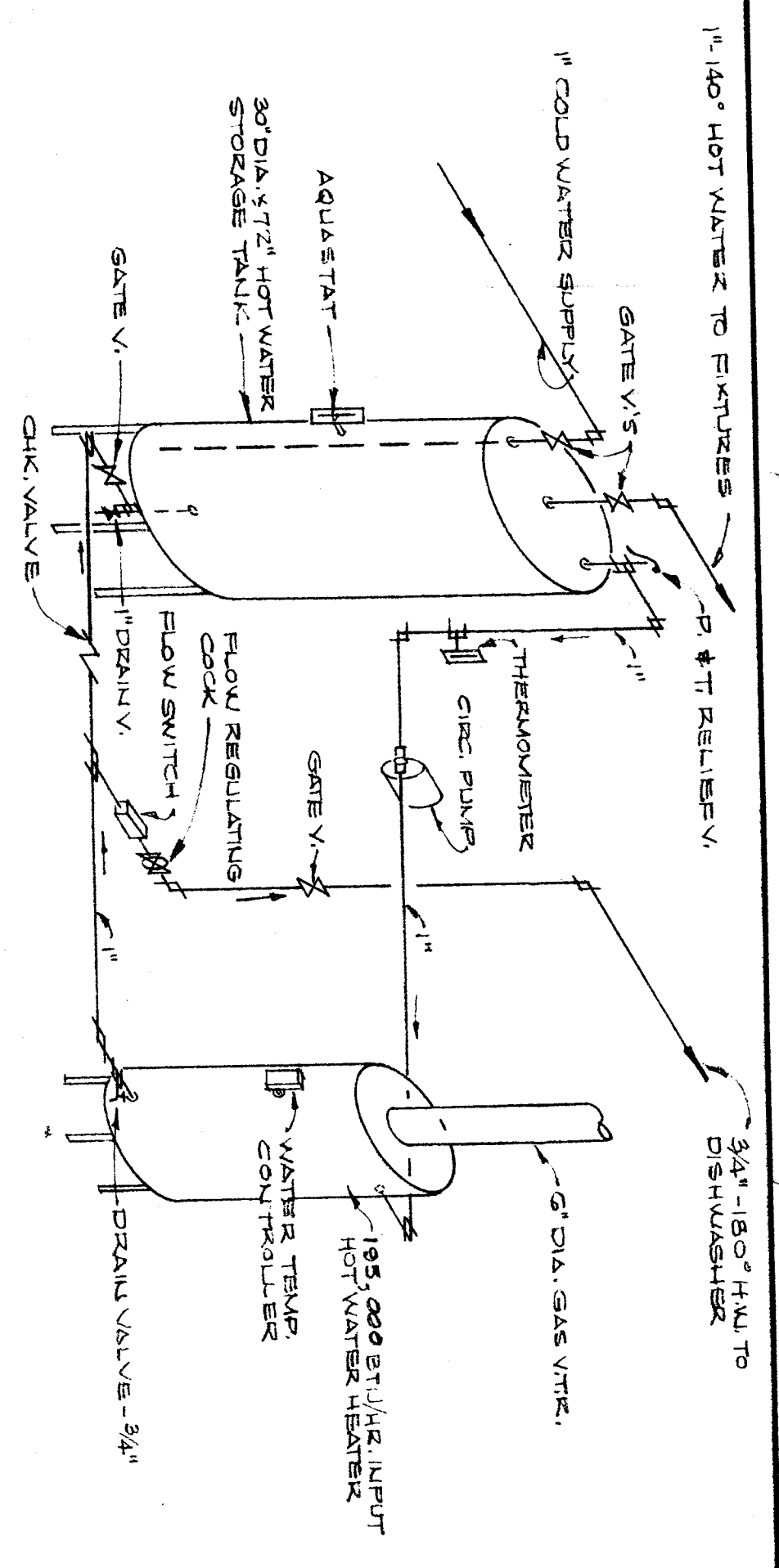
EXIST. CAFETERIA



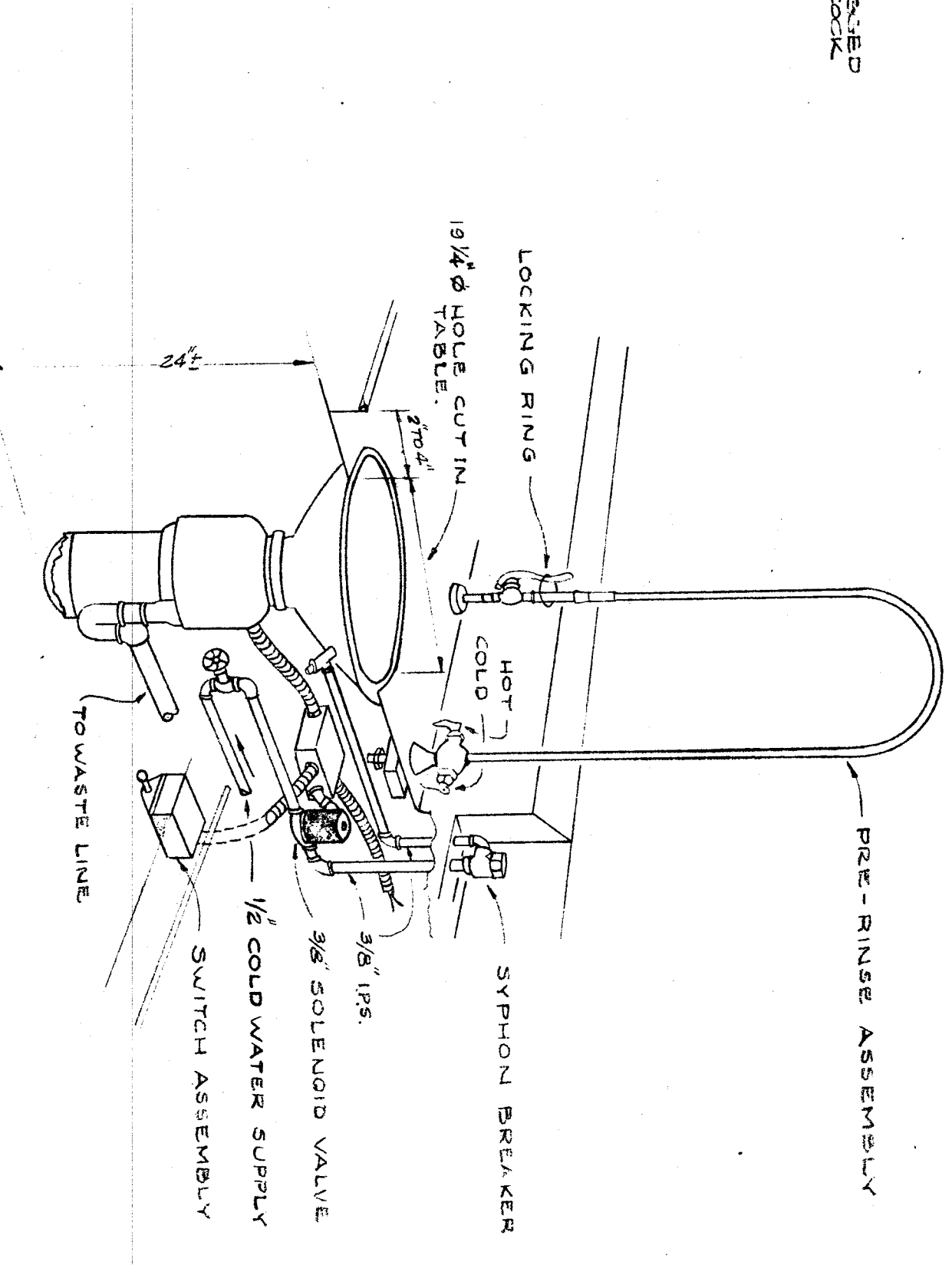
HEATING, VENTILATING & PLUMBING PLAN

SCALE: 1/8" = 1'-0"

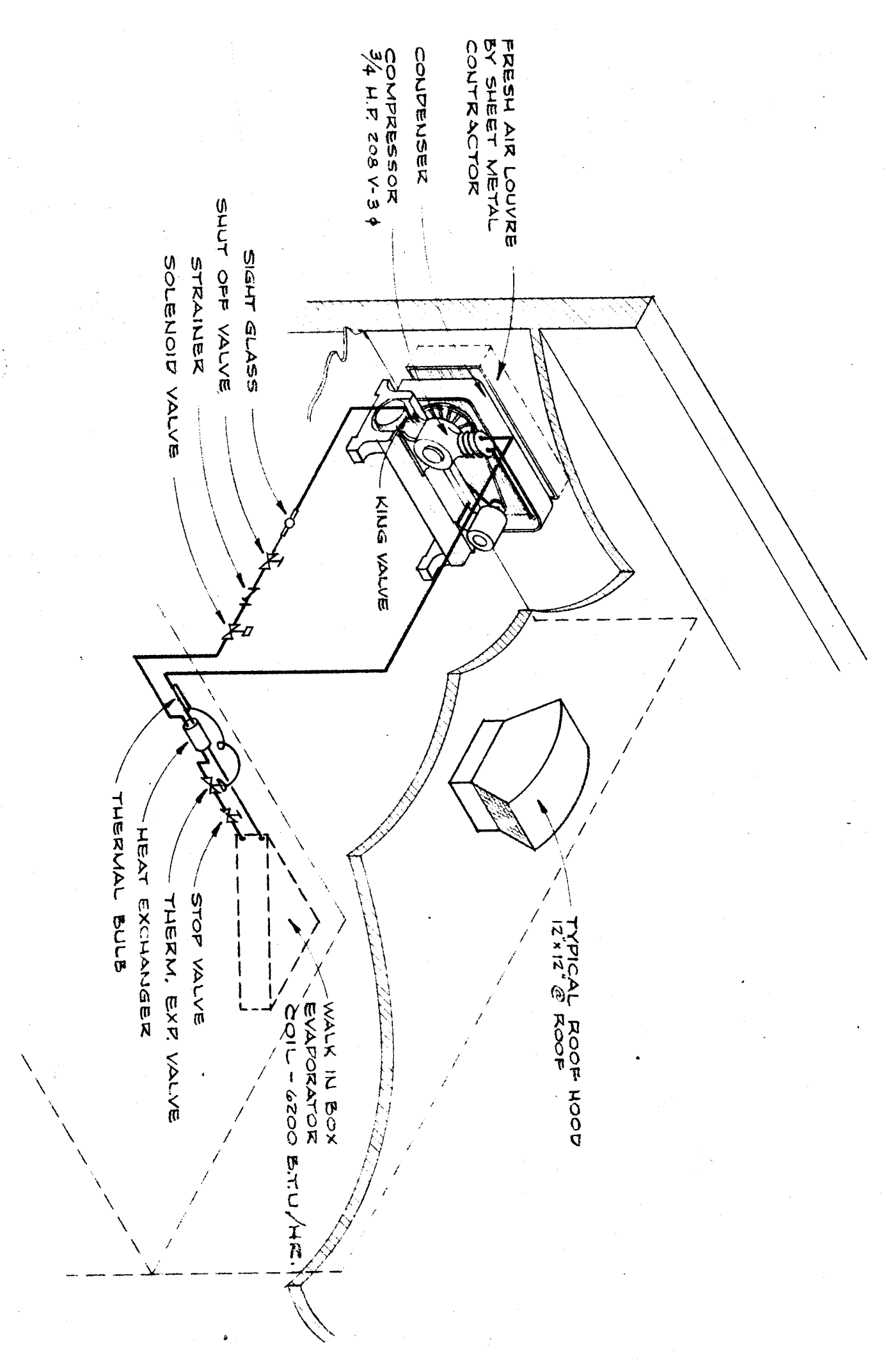
TYPICAL PIPING DIAGRAM HOT WATER HEATER



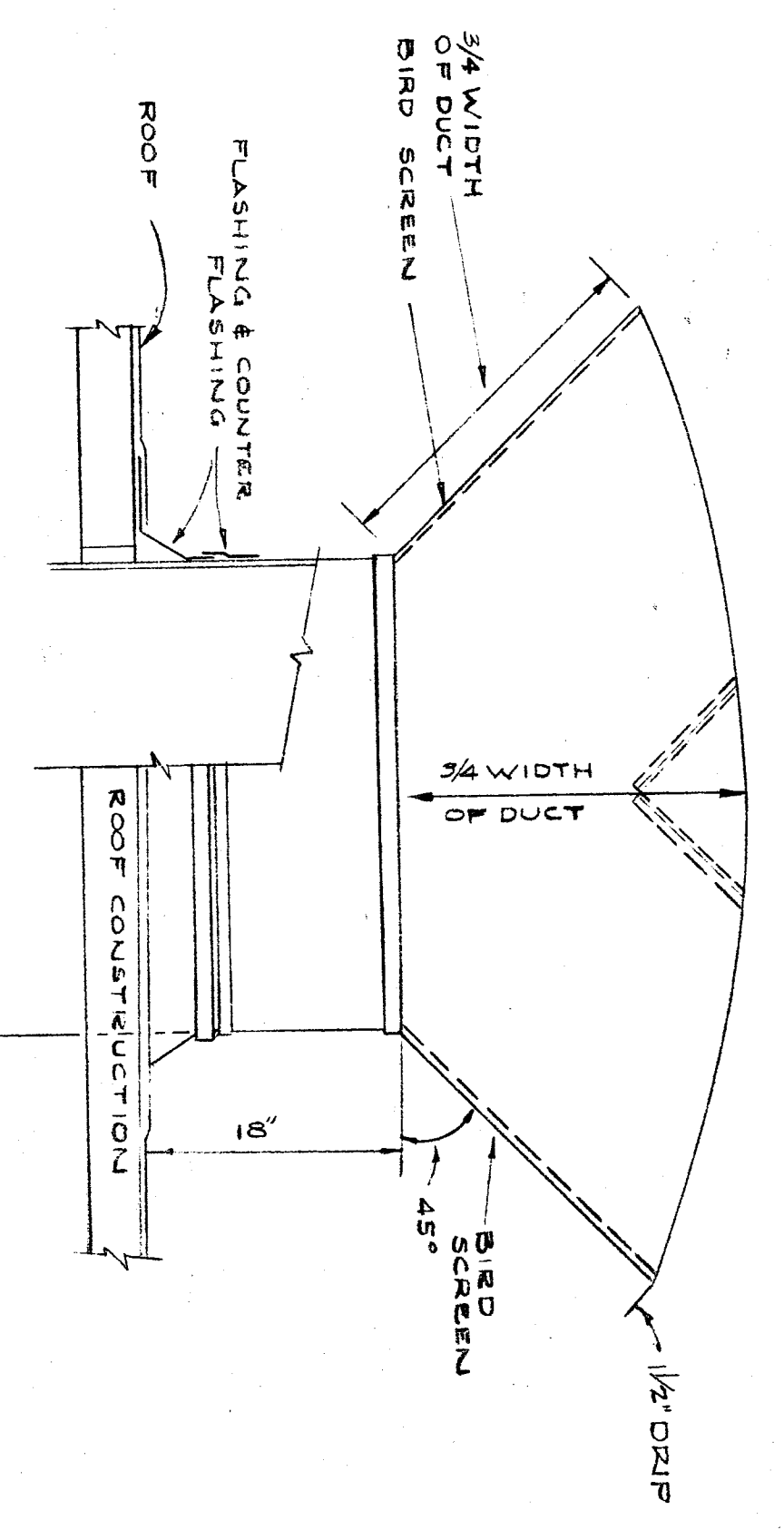
TYPICAL PIPING DIAGRAM GARBAGE DISPOSAL



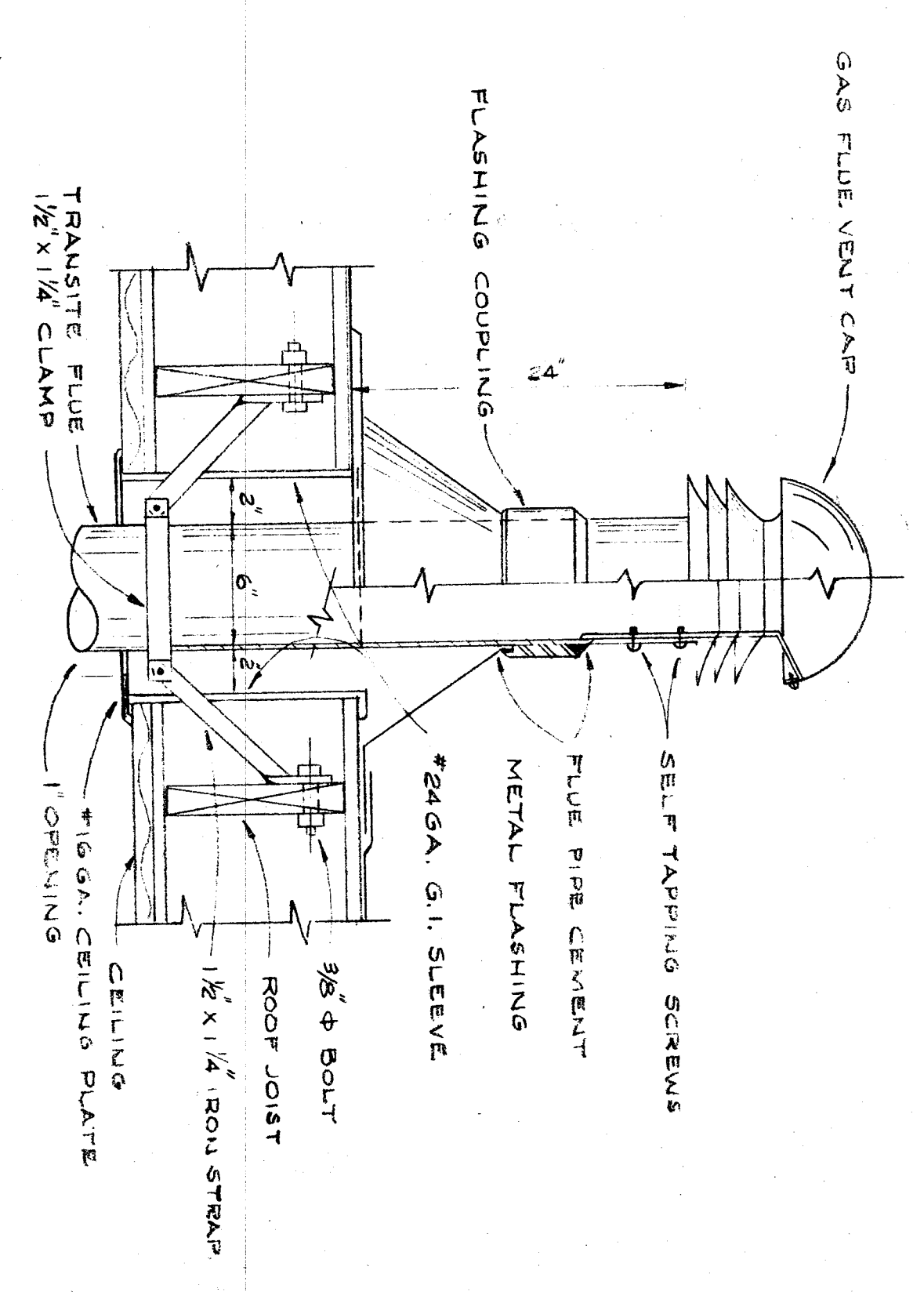
REFRIGERANT PIPING DIAGRAM



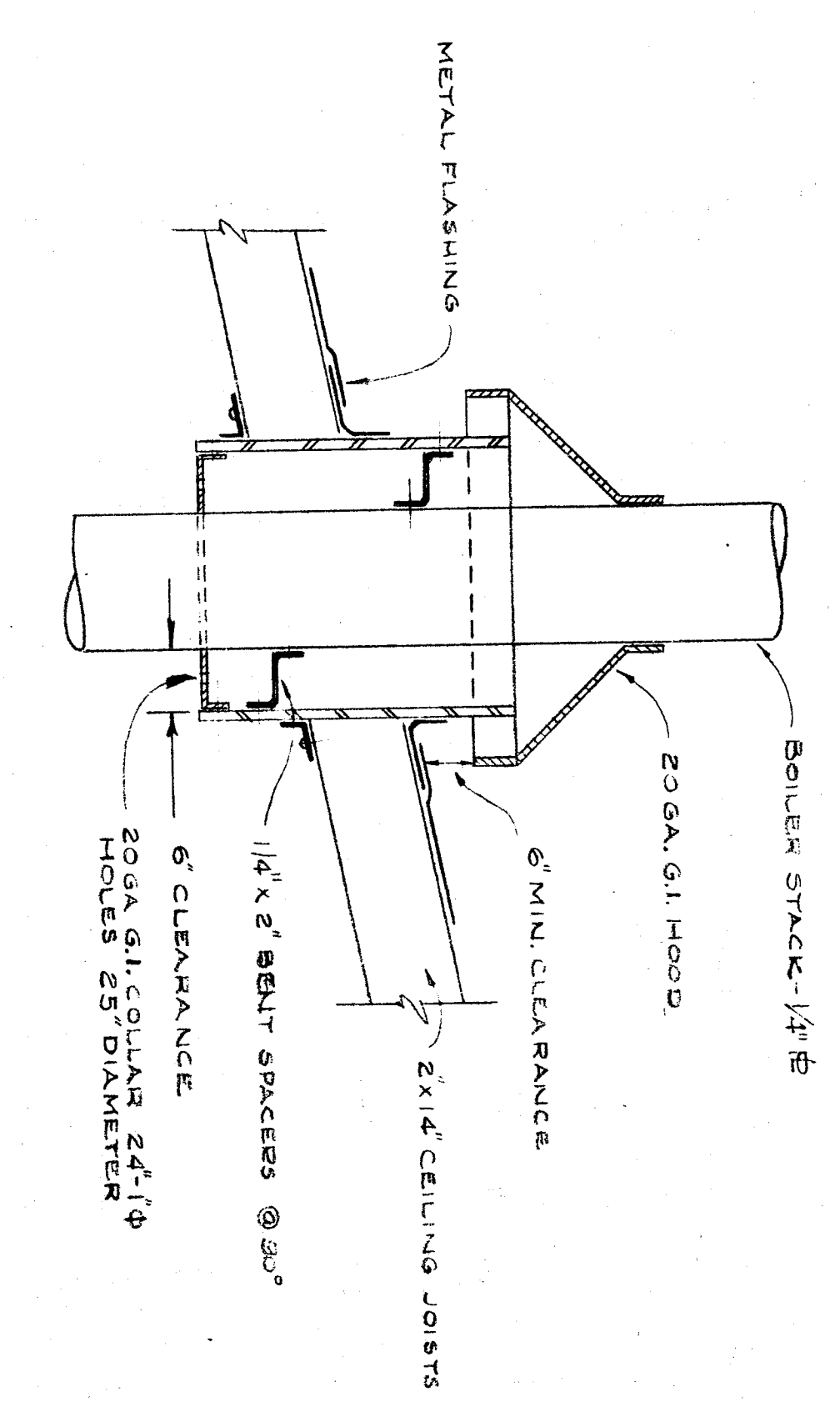
TYPICAL ROOF HOOD



TYPICAL HEATER VENT



DETAIL OF BOILER STACK THIMBLE



MECHANICAL DETAILS

<p>W. A. STAINES CONSULTING ENGINEER MECH. ENGRS. 1603 CALIFORNIA AVENUE BAKERSFIELD, CALIFORNIA</p>	<p>OFFICE OF SUPERINTENDENT OF SCHOOLS STATE OF CALIFORNIA DEPARTMENT OF PUBLIC WORKS DIVISION OF ARCHITECTURE</p>	<p>STATE OF CALIFORNIA - DEPARTMENT OF PUBLIC WORKS DIVISION OF ARCHITECTURE APPROVED: [Signature] SUPERVISOR OF STRUCTURAL ENGINEERS</p>	<p>BAKERSFIELD CITY SCHOOLS 1600 ST. BAKERSFIELD, CALIF. BOARD OF EDUCATION</p>	<p>APPROVED: [Signature] DATE: [Blank]</p>	<p>ADDITIONS & ALTERATIONS TO HORACE MANN ELEMENTARY SCHOOL 2710 JULES STREET BAKERSFIELD, CALIFORNIA</p>	<p>ERNEST L. MCCOY A.I.A. ARCHITECT 2011 H STREET BAKERSFIELD</p>	<p>JOB No. [Blank] DATE: 11-20-53 DRAWN BY [Blank] CHECKED BY [Blank] OF 5 SHEETS</p>
--	--	---	---	--	---	---	---

CHECK AND VERIFY ALL DIMENSIONS AND CONDITIONS AT JOB SITE BEFORE PROCEEDING WITH THE WORK. REPORT ANY DISCREPANCIES TO THE ARCHITECT.