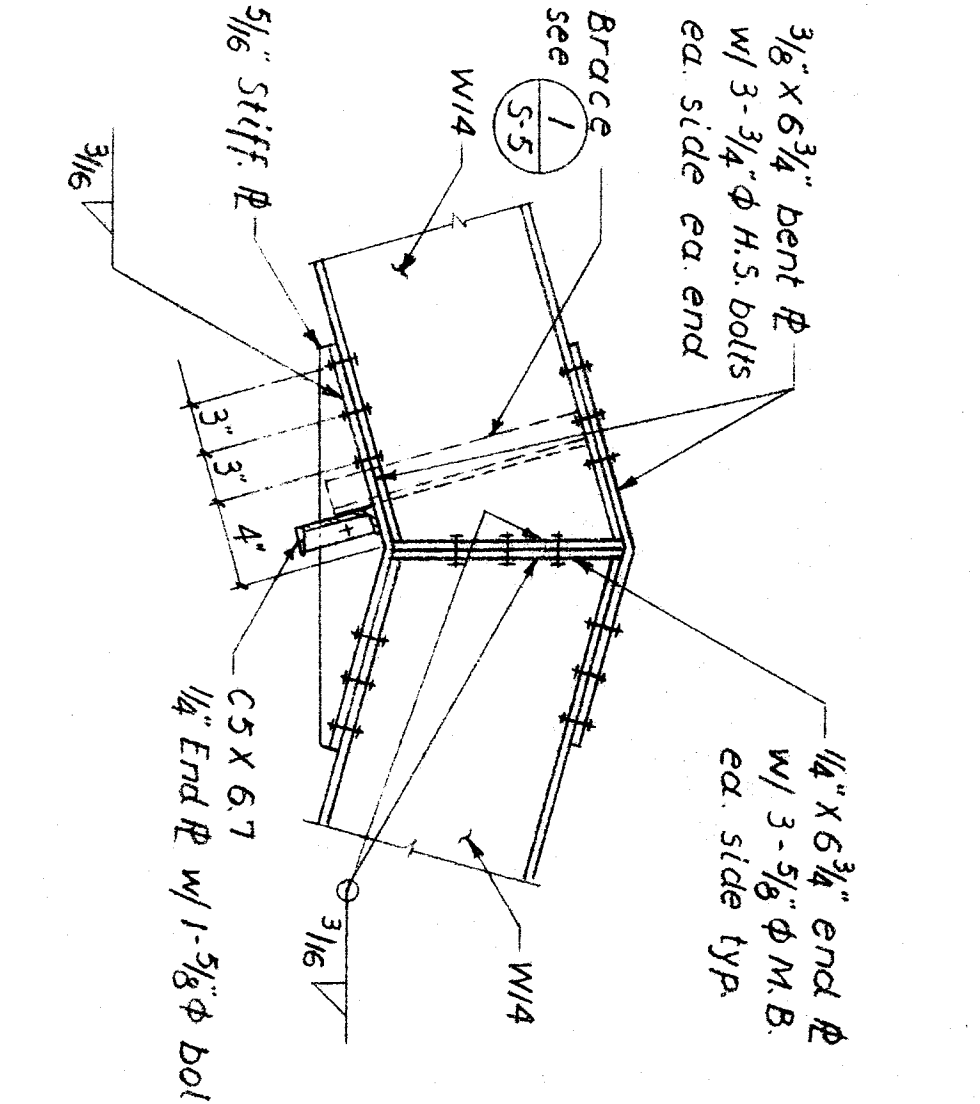
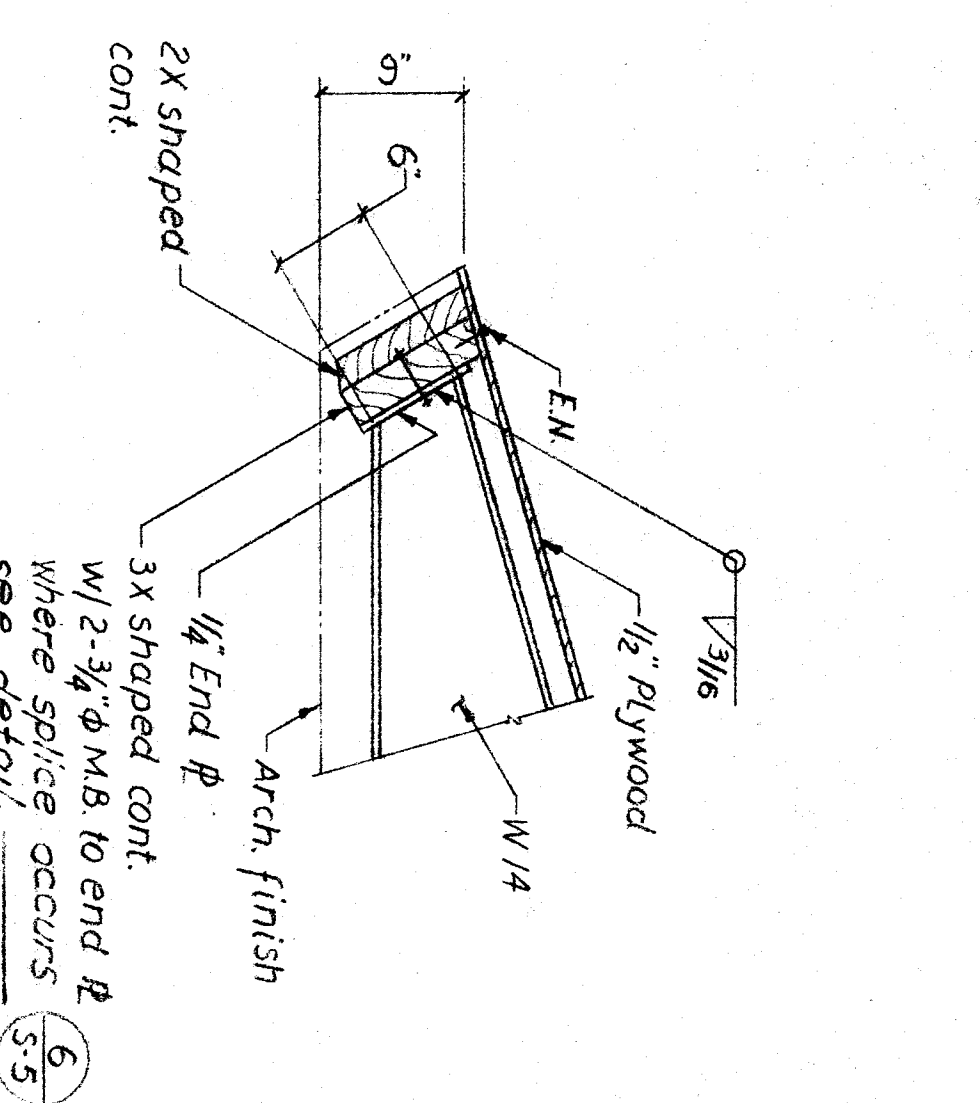


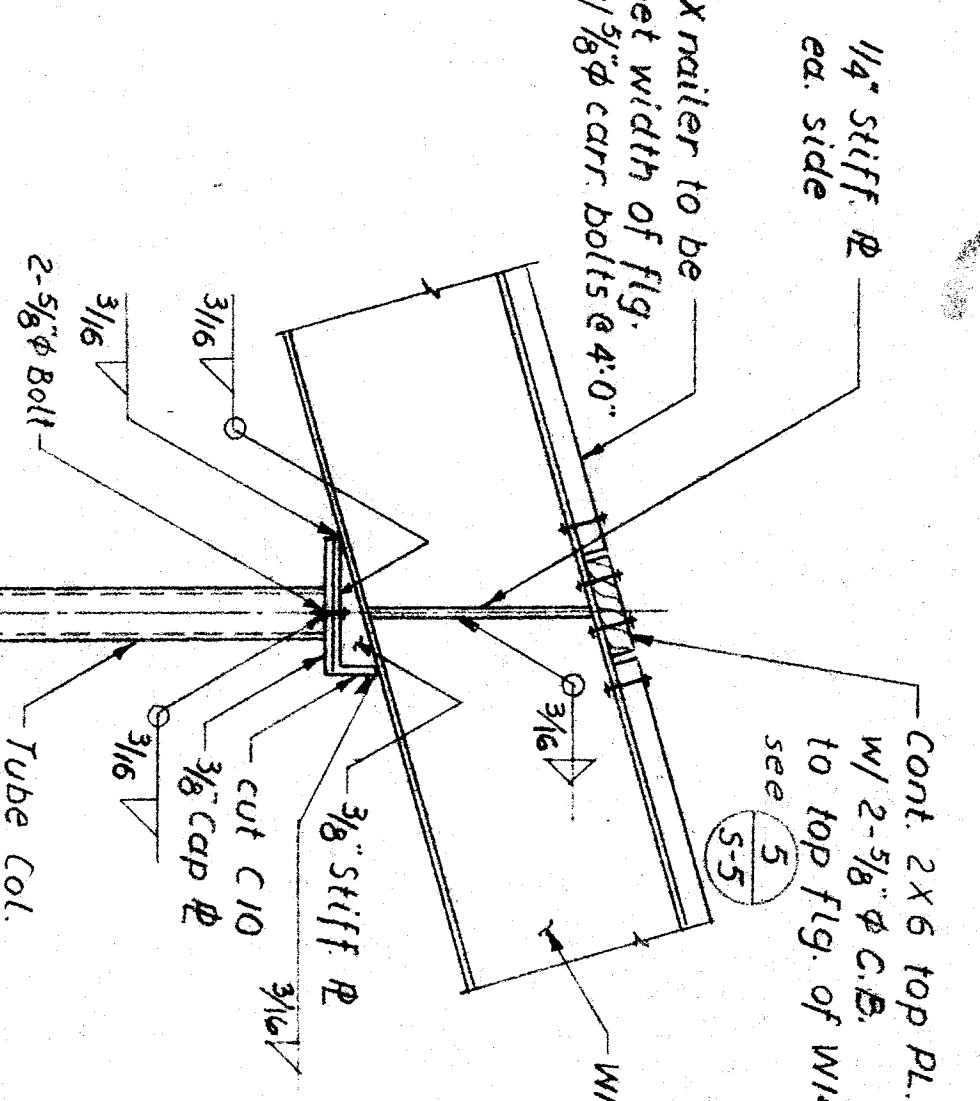
DETAIL AT RIDGE (1)
1"=1'-0"



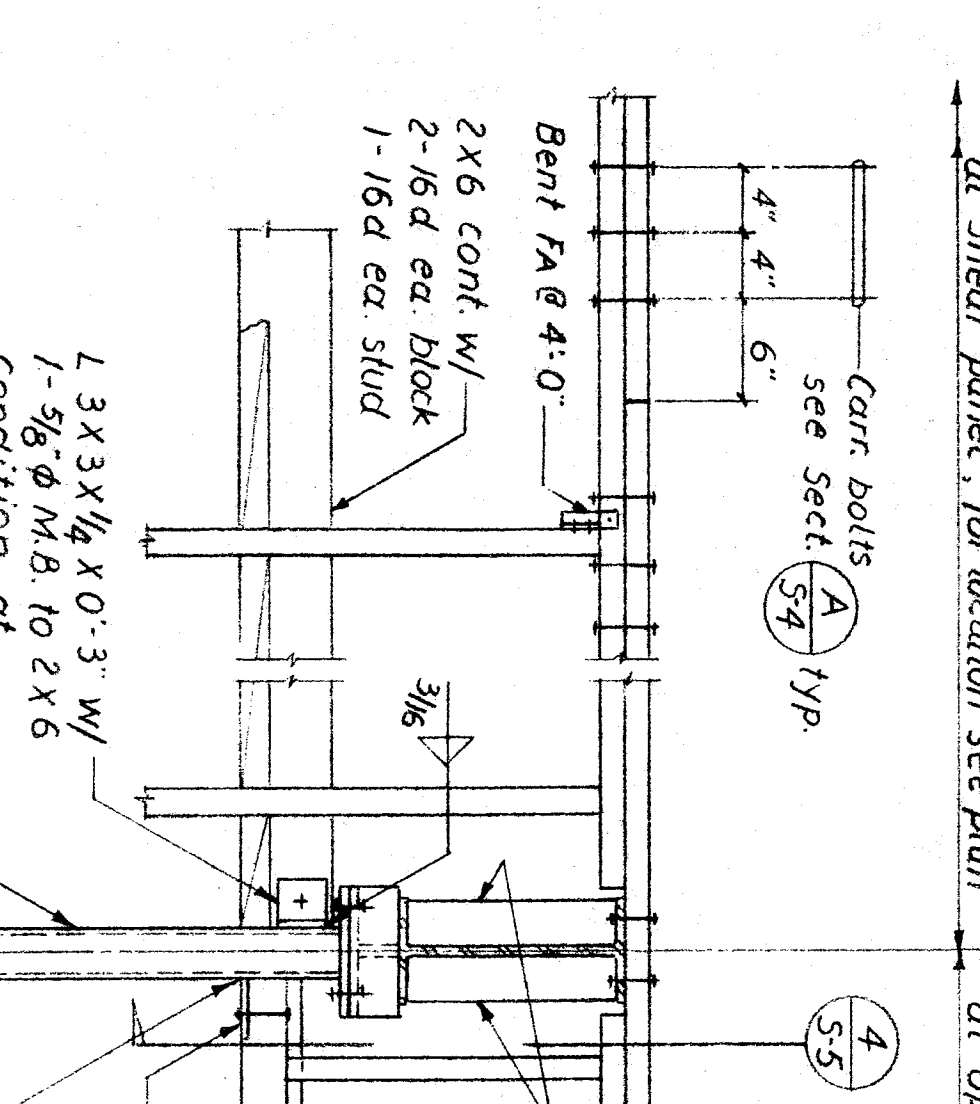
DETAIL-ALTERNATE CONN. (2)
1"=1'-0"



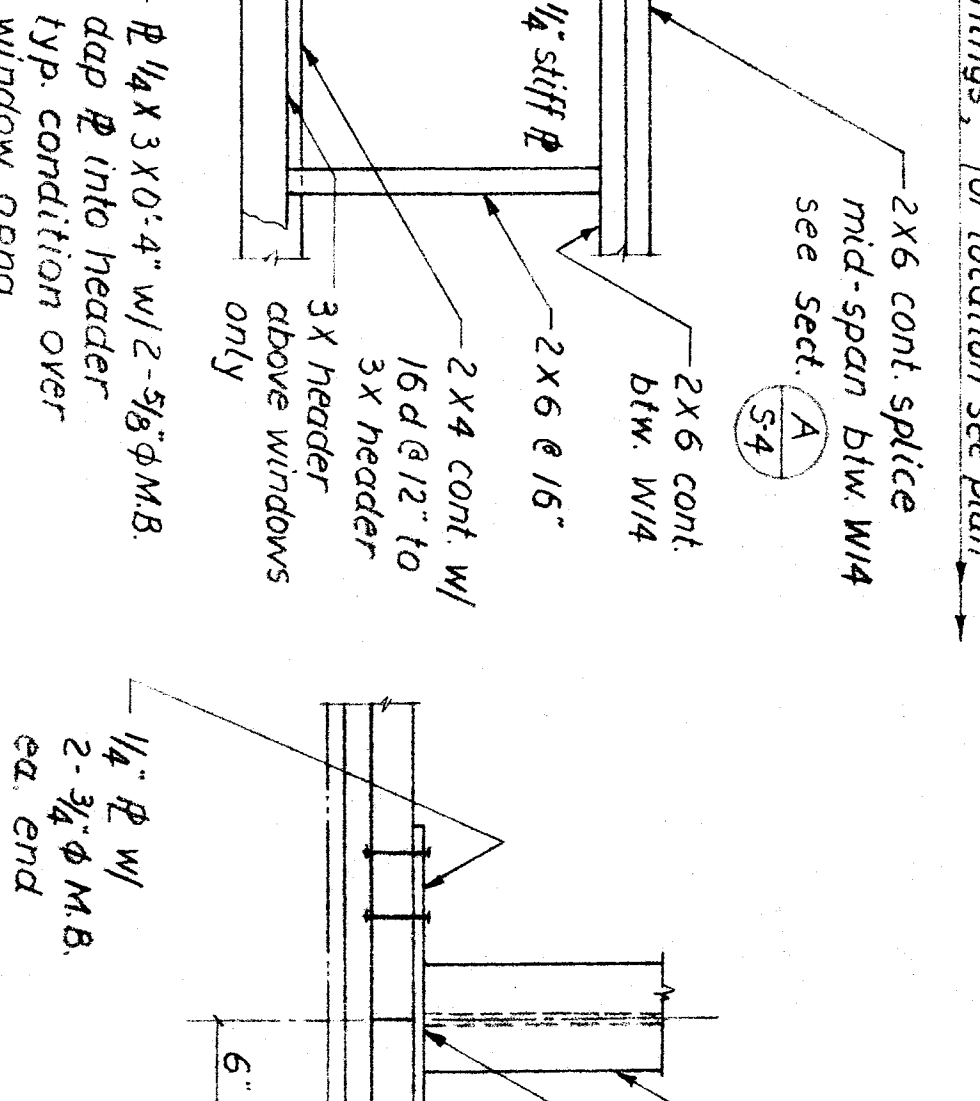
DETAIL (3)
1"=1'-0"



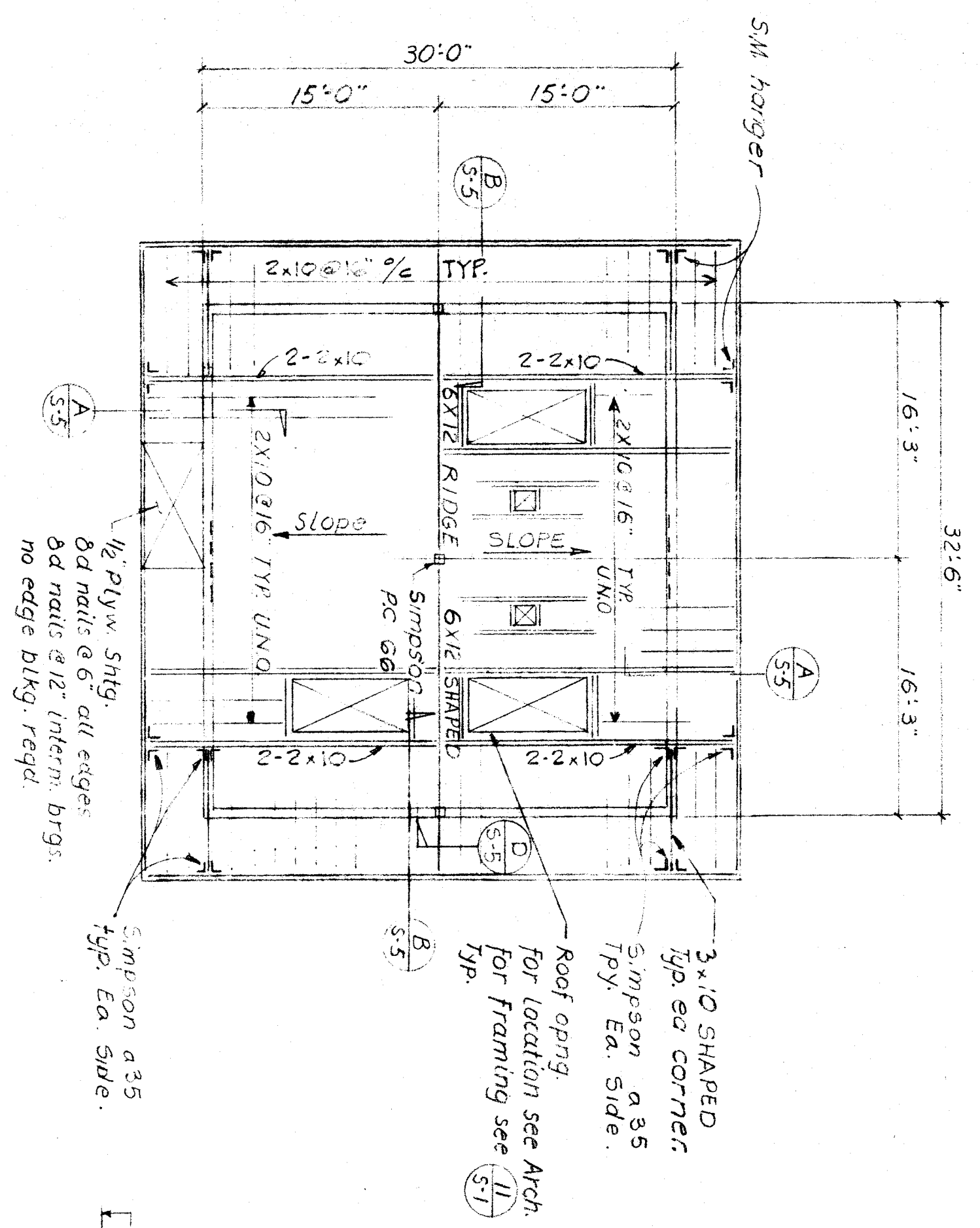
DETAIL (4)
1"=1'-0"



DETAIL (5)
1"=1'-0"



TYP. FASCIA SPLICE (6)
1"=1'-0"



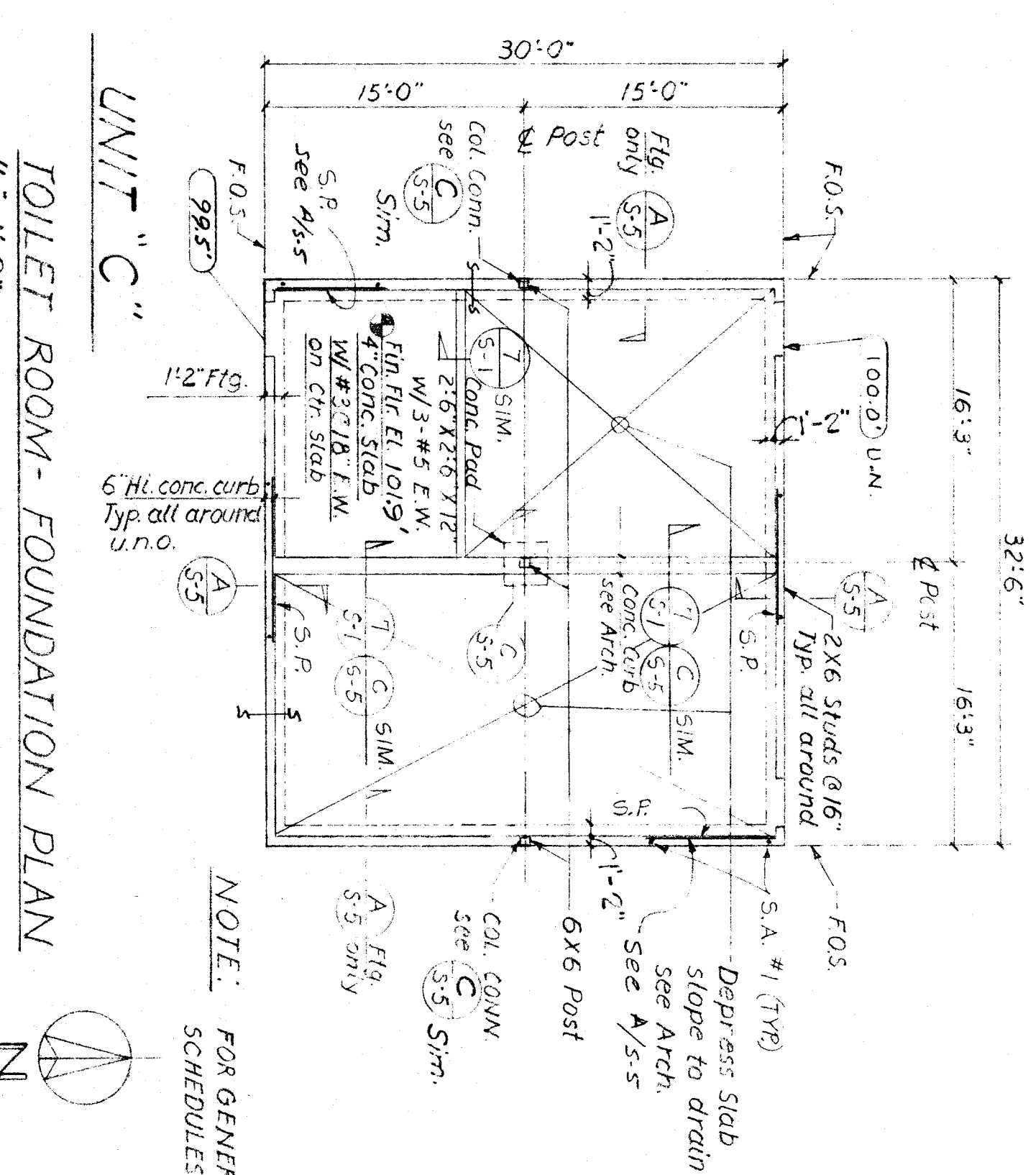
TOILET ROOM - ROOF FRAMING
1/8"=1'-0"

SECTION A
1/2"=1'-0"

SECTION B
1/2"=1'-0"

SECTION C
1/2"=1'-0"

SECTION D
1/2"=1'-0"



TOILET ROOM - FOUNDATION PLAN
1/8"=1'-0"

NOTE: FOR GENERAL NOTES, TYPICAL DETAILS, SCHEDULES AND LEGEND SEE SH. S-1.

WHEELER & GRAY CONSULTING ENGINEERS
441 S. G ST. BAKERSFIELD, CALIF. 93307
DATE: 2/8/78
PROJECT: UNIT "C" FRAMING PLANS & DETAILS
DRAWN BY: C.L.S.S.
CHECKED BY: T.C.
REVISIONS:
DATE: 4/12/78
JOB NO: 77-91-1
BY: WILIAM M. MANIER, C.S.S.S.
BY: BAKERSFIELD CITY SCHOOL DISTRICT, BAKERSFIELD, CALIFORNIA