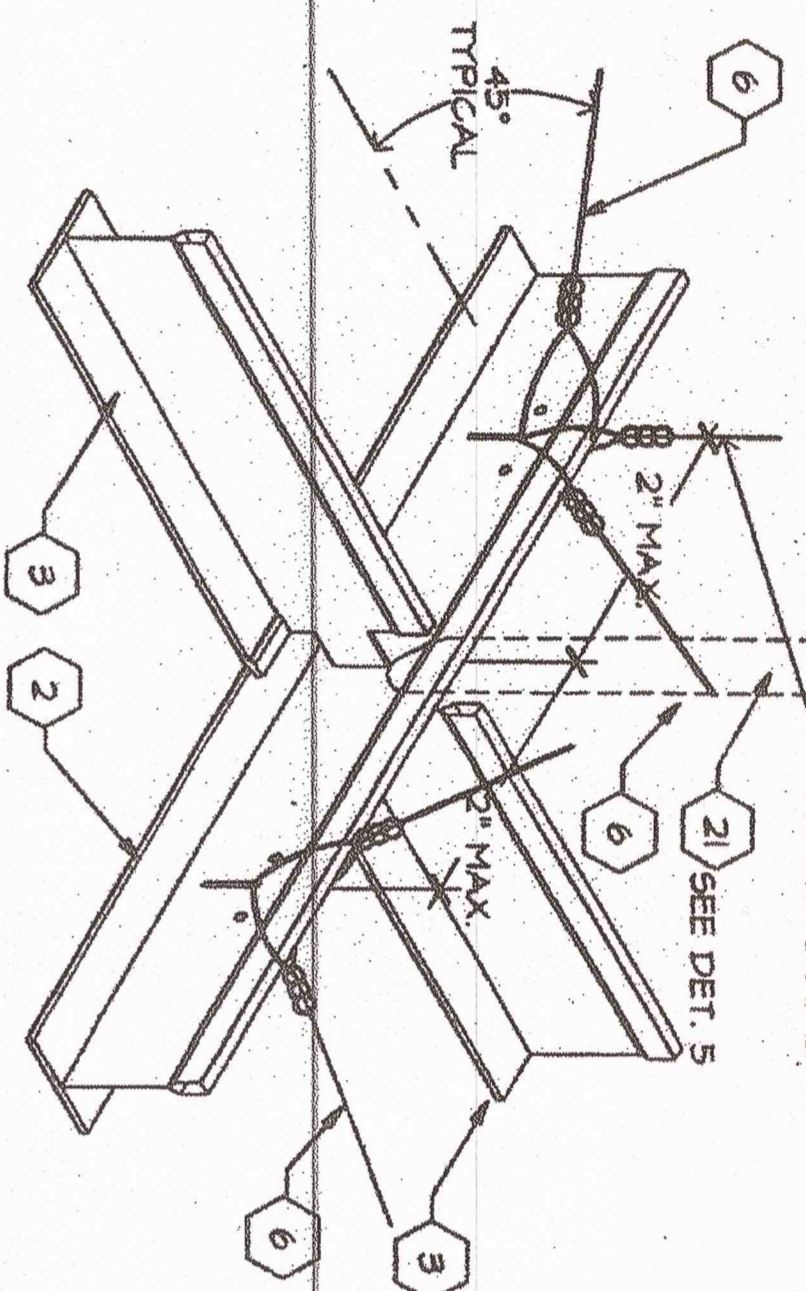
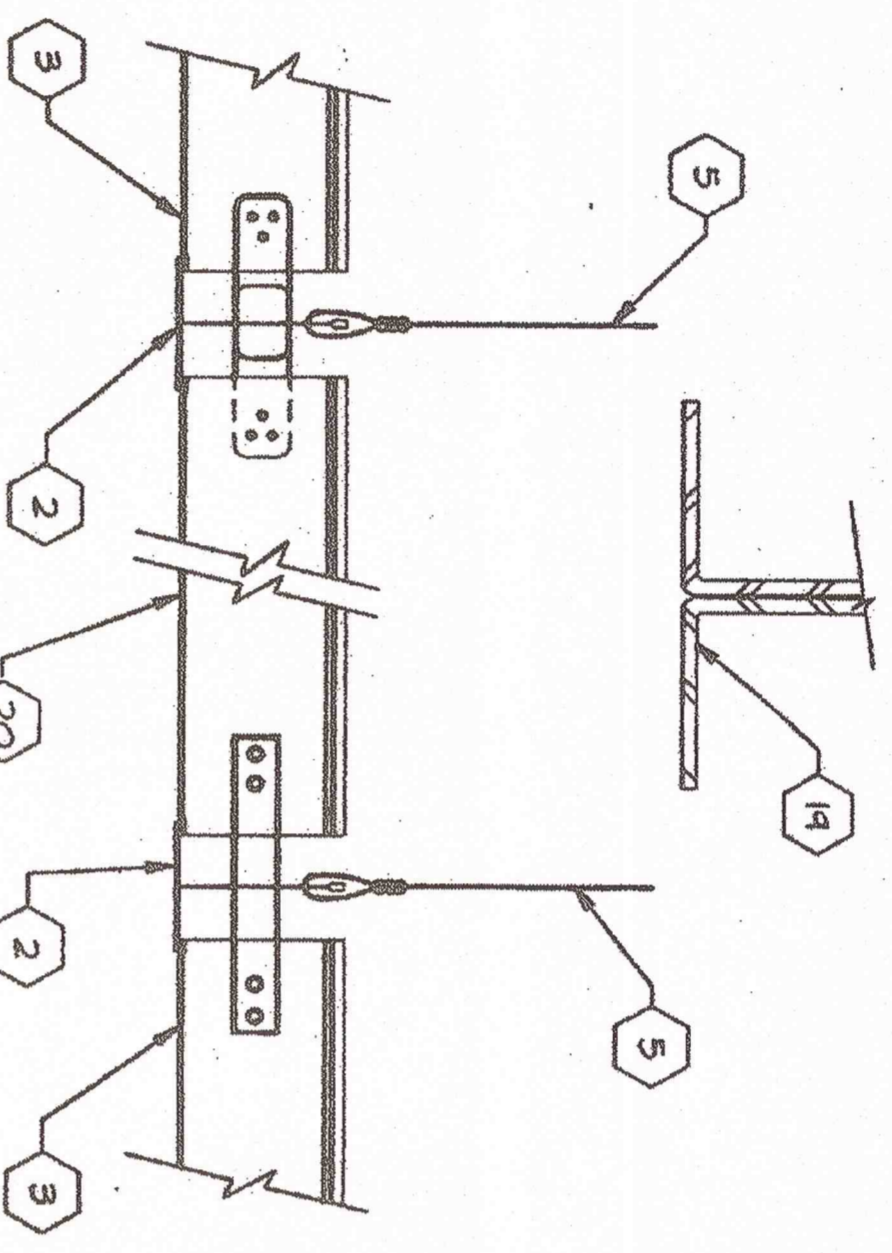


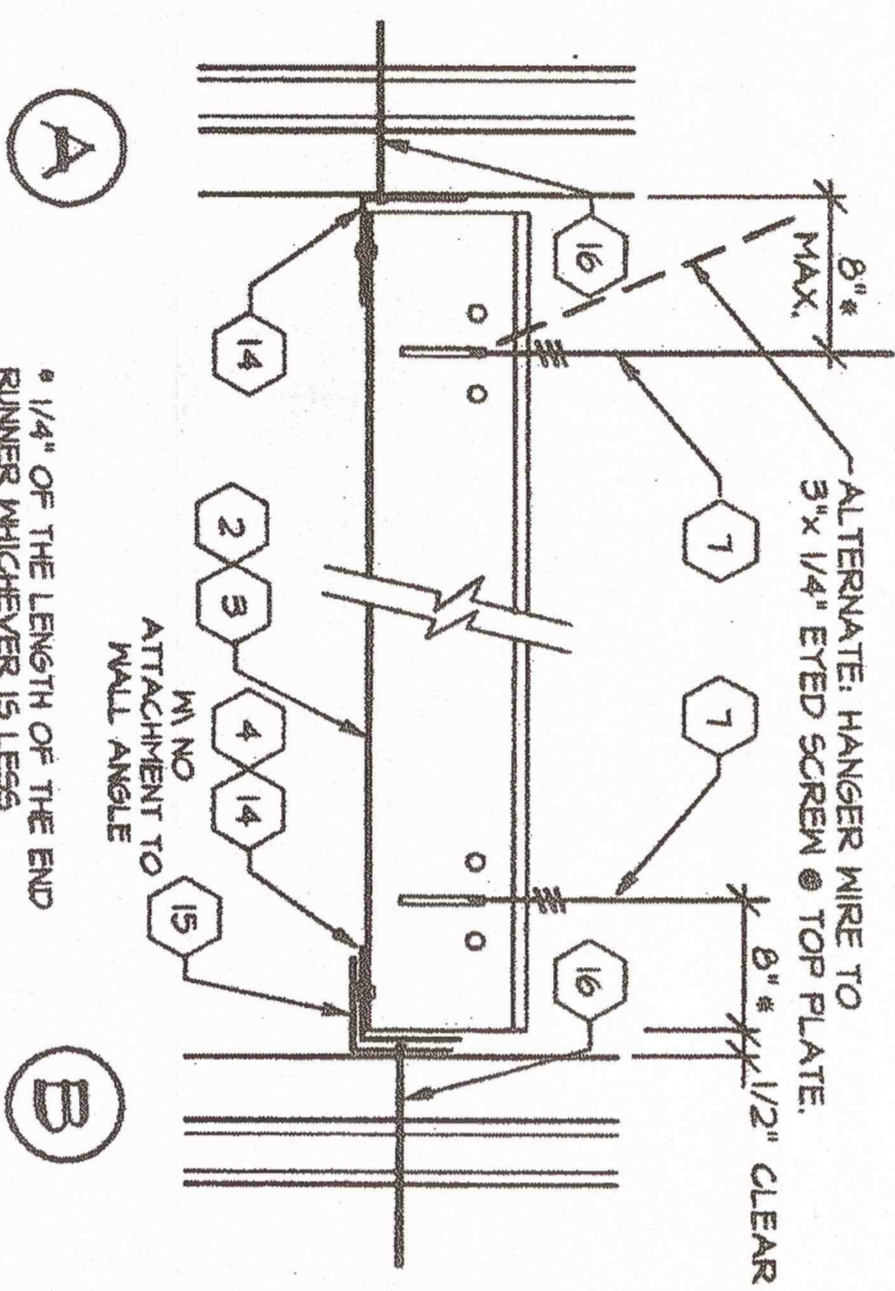
VERTICAL BRACE



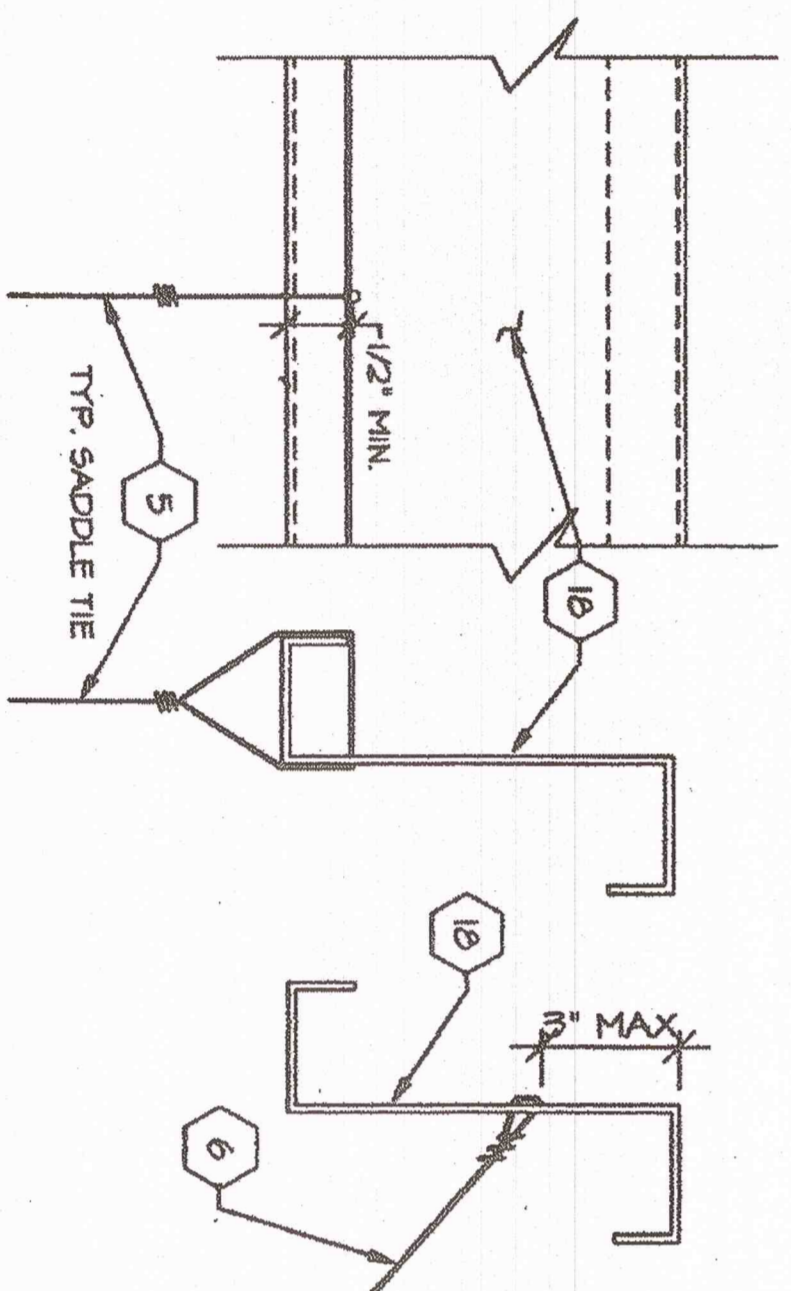
SPLAY WIRE



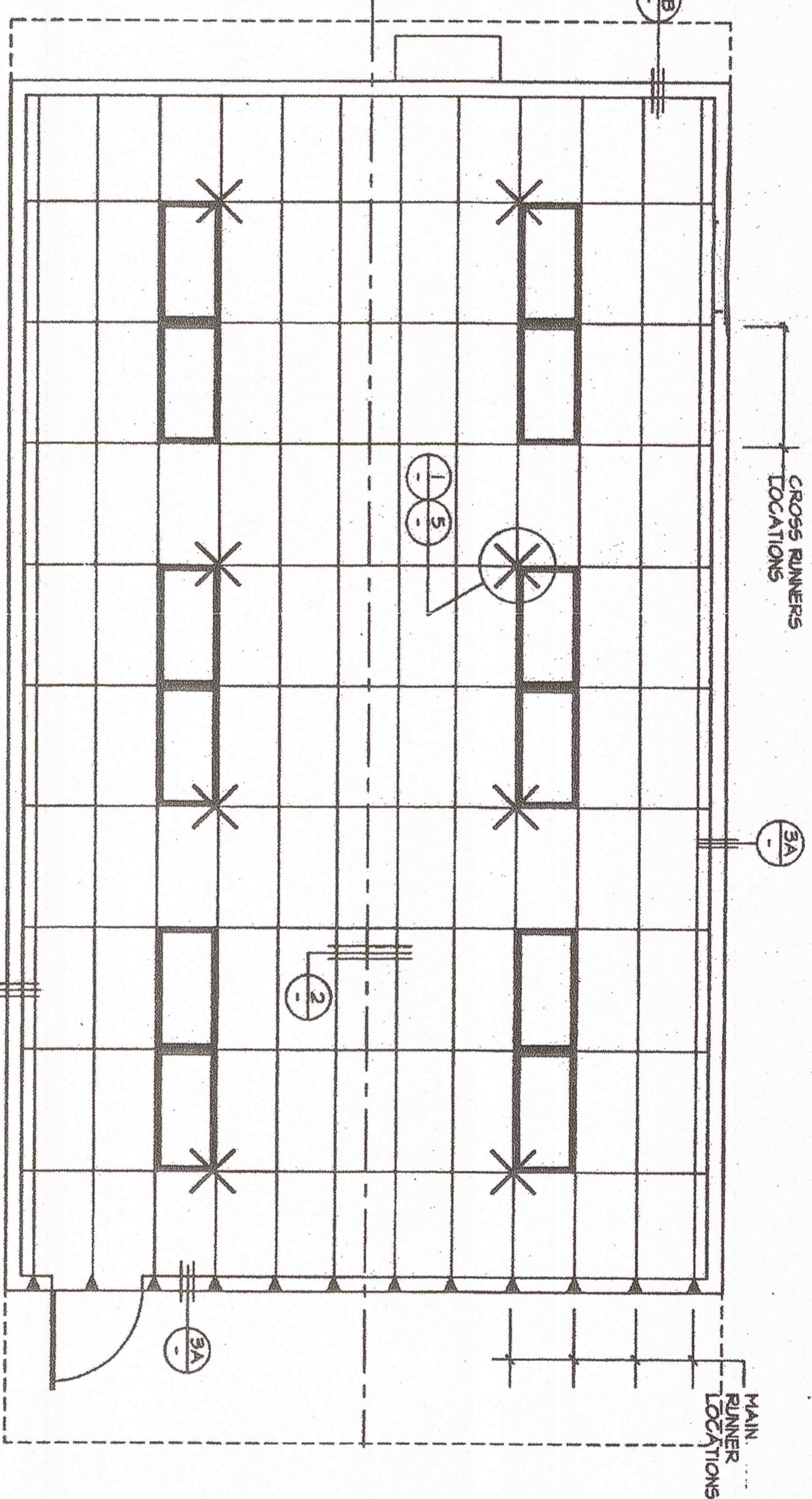
GRID AT MODLINE



GRID AT WALL



WIRE ATTACHMENT



REFLECTED CEILING PLAN  
SCALE 1/4" = 1'-0"

CEILING HEIGHT 8'-4"  
A' UNIT SHOWN  
B' UNIT OPP. HAND

KEYNOTES

- 1 MAIN RUNNERS @ 4'-0" O.C. MAX. WITH HANGER WIRES SPACED @ 4'-0" O.C. MAX.
- 2 MAIN RUNNER, DOWN CORP. DX-26 HEAVY DUTY
- 3 CROSS RUNNER, DOWN CORP. DX-424 HEAVY DUTY
- 4 WALL RUNNER, DOWN CORP. HT-BV
- 5 TYPICAL HANGER WIRE TO BE 1/2" DIA. STEEL WIRE WITH TIGHT TURNS MINIMUM 1/2" - SEE DETAIL 4
- 6 TYPICAL SPLAY WIRE TO BE 1/2" DIA. STEEL WIRE ATTACHED TO STRUCTURE ABOVE AND TO GRID WITH (4) TIGHT TURNS MINIMUM 1/2" - SEE DETAIL 4
- 7 AT END OF ROWS OF RUNNERS, A HANGER WIRE SHALL BE ATTACHED MINIMUM 6" (OR ANY WALL OR SOFFIT) OR 1/4" LENGTH OF END TIE WHICHEVER IS LEAST
- 8 VERTICAL WIRES MORE THAN 1/6" OUT OF PLUMB SHALL HAVE COUNTERBALANCE WIRES INSTALLED.
- 9 RUNNERS MAY BE ATTACHED TO WALL HOLDING AT (2) MEMBER SPACING AT OTHER WALLS. SEE DETAIL 4 FOR CLEARANCE BETWEEN END RUNNER AND FACE OF WALL.
- 10 CEILING AREAS EXCEED 14 SQ. FT. OR LESS SHALL HAVE SPLAY WIRES INSTALLED AS INDICATED ON CEILING PLAN GRID.
- 11 ELECTRICAL SHALL PROVIDE (2) SLACK HANGER WIRES AT OPPOSITE CORNERS OF ALL LIGHT FIXTURES. WIRES SHALL BE ATTACHED TO STRUCTURE ABOVE PER NOTE 5. LIGHT FIXTURES SHALL BE ATTACHED TO CEILING GRID WITH (2) 1/8" STEEL TIE-ALL SCREWS.
- 12 DICTIONARY, IF REQUIRED, SHALL BE RIGIDLY ATTACHED TO STRUCTURE ABOVE AT INTERVALS NOT TO EXCEED 4' AND SHALL NOT BE CLOSER THAN 6" TO ANY WIRE.
- 13 CEILING REGISTERS, WHEN INDICATED ON PLANS, SHALL BE ATTACHED TO STRUCTURE ABOVE PER NOTE 5.
- 14 CONT. WALL 7/8" ANGLE WITH POP RIVET TO EACH MEMBER.
- 15 7/8" CONTINUOUS WALL ANGLE.
- 16 6d WALL @ 16" O.C. INTO BLOCK OR STUD.
- 17 NOT USED.
- 18 ROOF ADJST. - SEE SHEET 5.
- 19 ROOF TRUSS SEE SHEET 5.1
- 20 CLOSE OFF CROSS TIE. INSERT ONE END OF CROSS TIE INTO MAIN RUNNER WITH BAYONET. CUT OPPOSITE END TO FIT (IF LESS THAN 24") INSERT MIN. 20 GA. MET. STRAP THRU MAIN RUNNER. SECURE TO CROSS TIE WITH (2) 1/8" TIE SCREWS AT EACH END.
- 21 VERTICAL BRACE 1/2" STEEL CONDUIT AT SPLAY WIRE LOCATIONS. DRILL 1/2" HOLES THROUGH CONDUIT AT TOP & BOTTOM. ATTACH TO STRUCTURE ABOVE WITH (2) 1/8" TIE SCREWS WITHIN 2" OF CROSS RUNNER.

REVISIONS

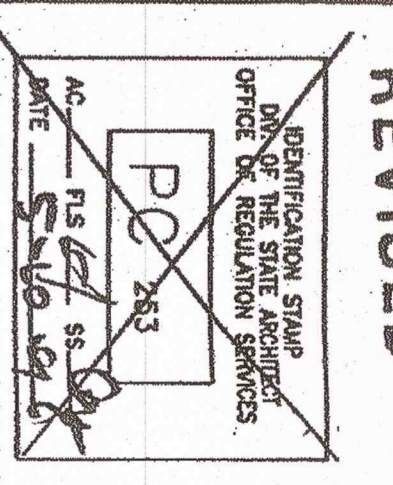
NO.	DATE	DESCRIPTION

CHECKED

DATE: 09/07/95  
BY: JERRY

DESIGNATION STAMP

03 110412  
DIV. OF THE STATE ARCHITECT



18833 Krameria Ave., Riverside, CA. 92504  
Phone (909) 789-7196  
Fax (909) 789-0263

**TURORA MODULAR INDUSTRIES**

RELOCATABLE BUILDING FOR  
**WILLIAMS/SCOTSMAN GROUP**

REFLECTED CEILING PLAN

DATE: 09/07/95  
BY: JERRY

3767