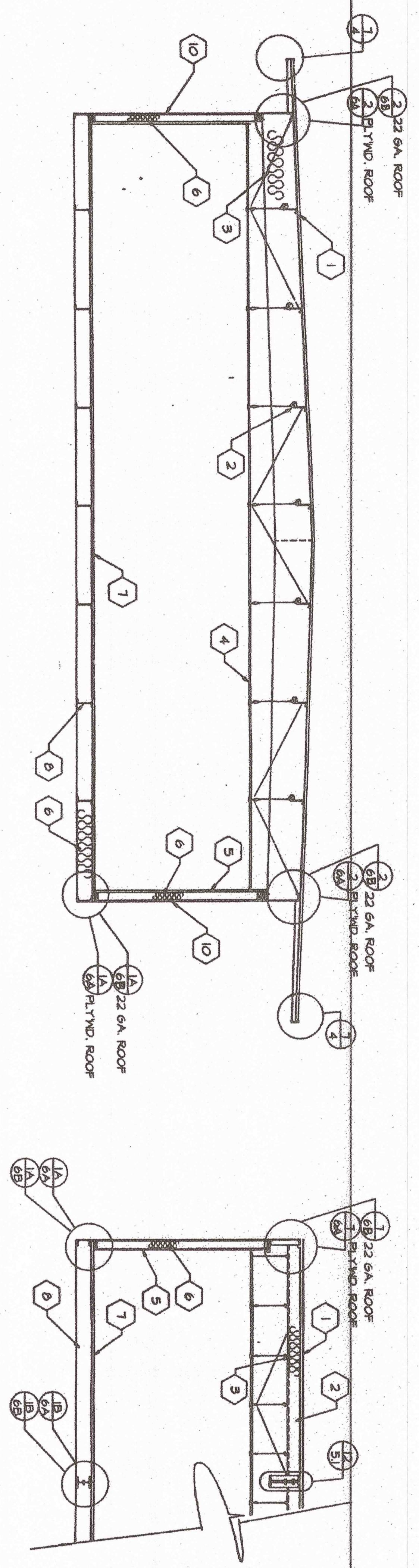
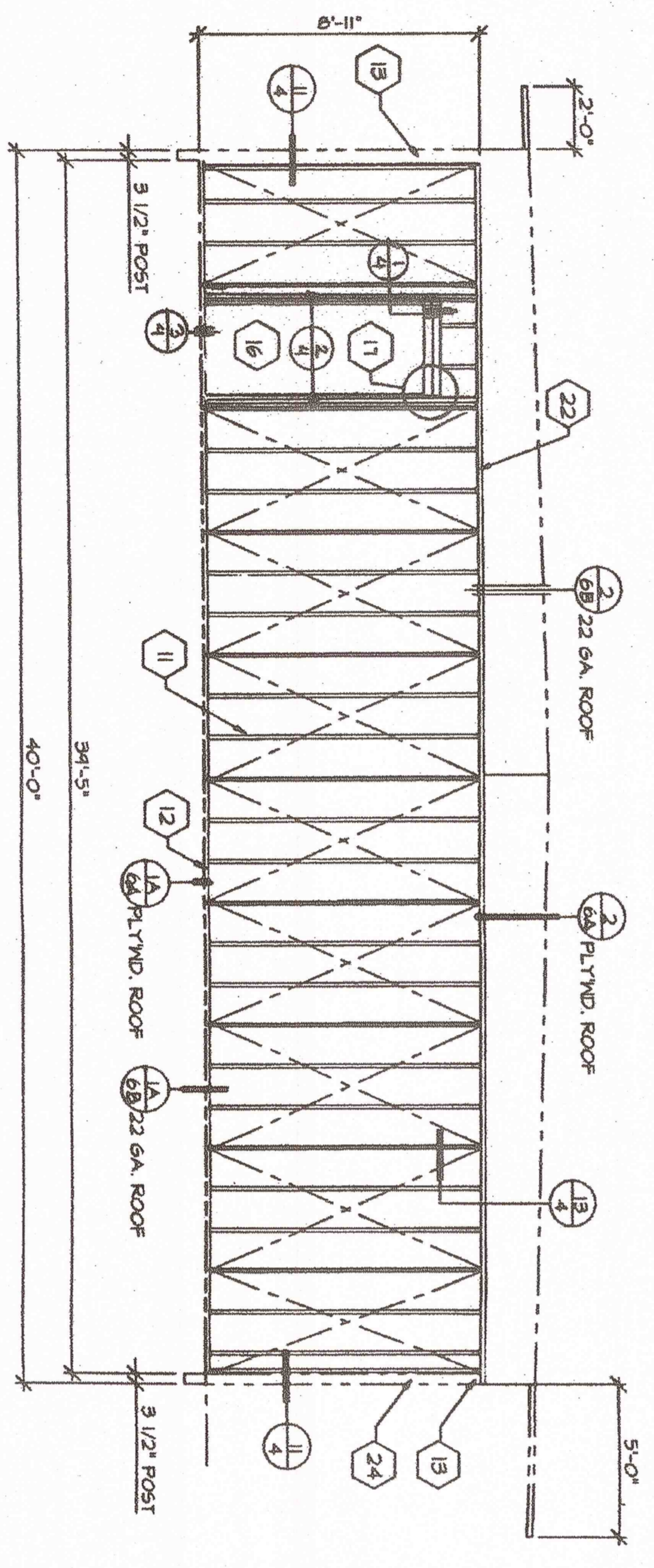


BUILDING SECTIONS
SCALE 1/4" = 1'-0"

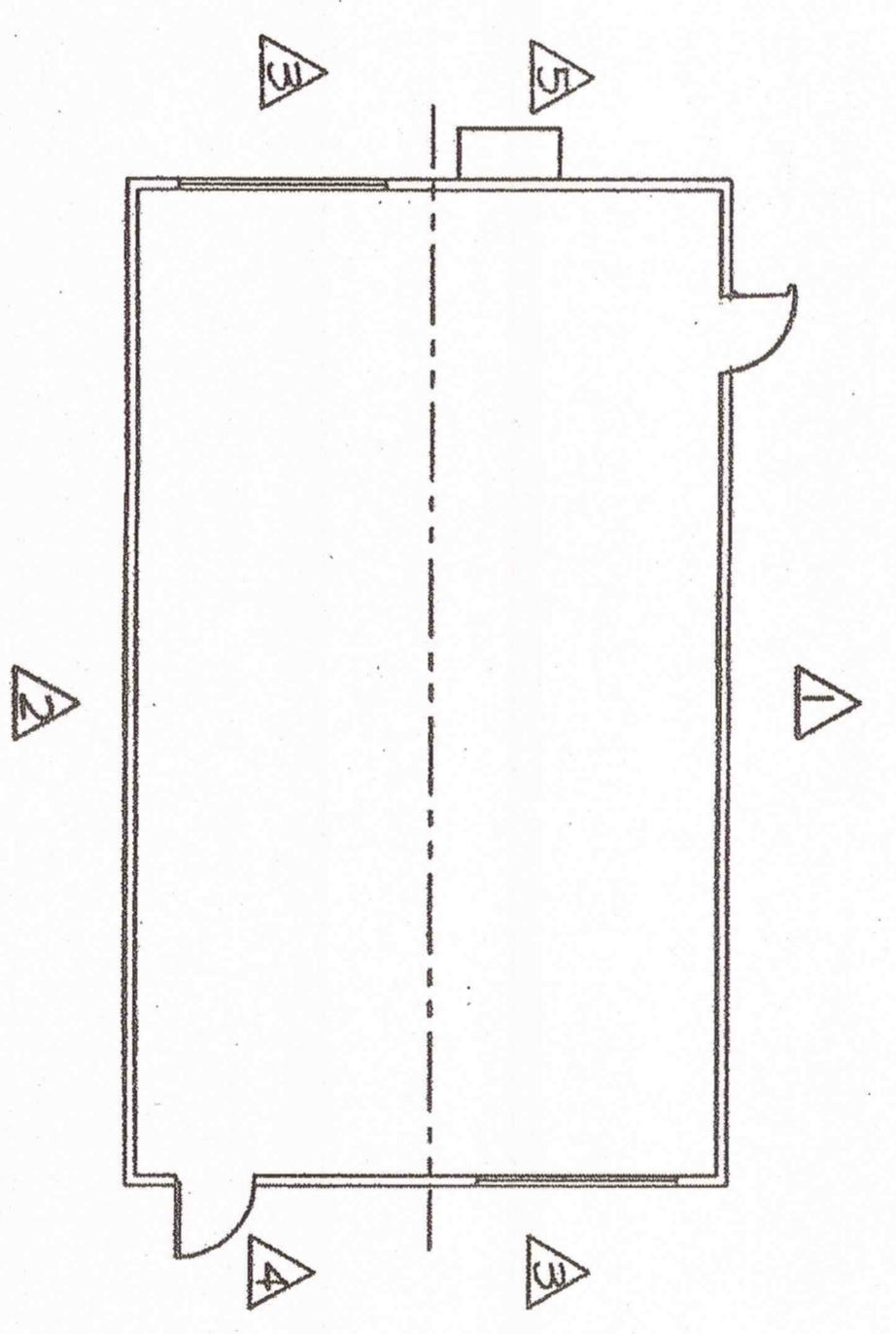


TYPICAL SIDEWALL
SCALE 1/4" = 1'-0"

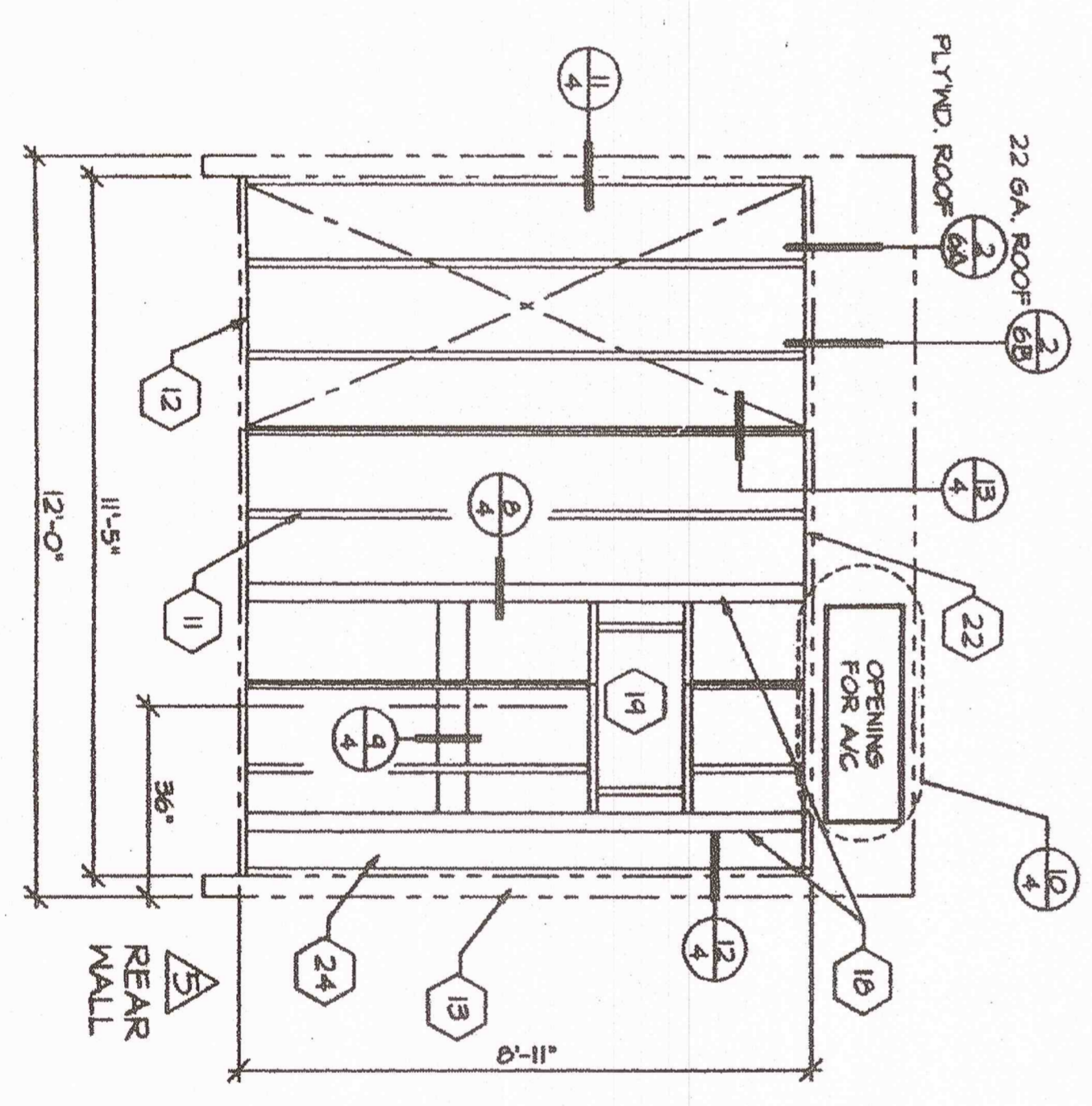
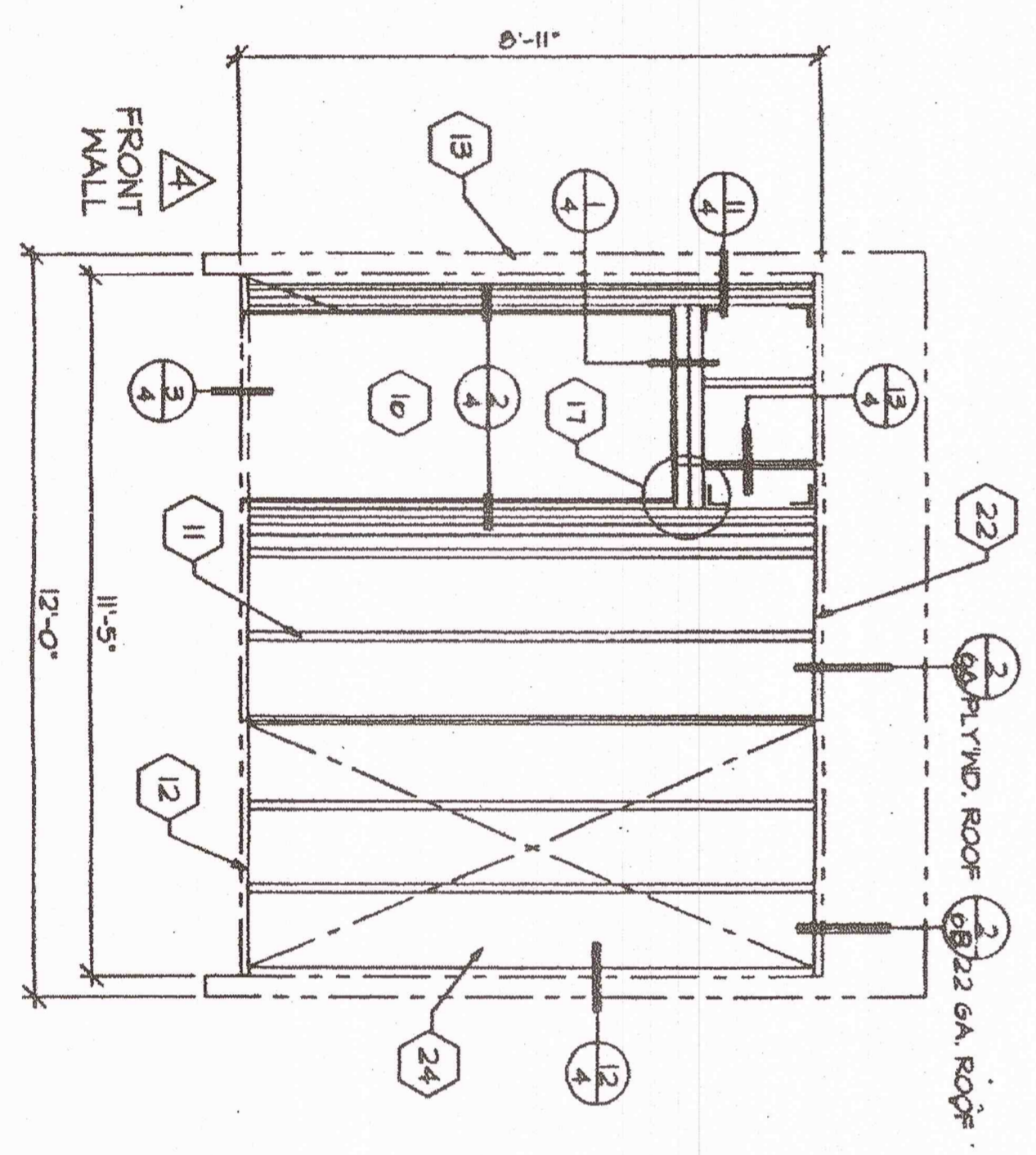
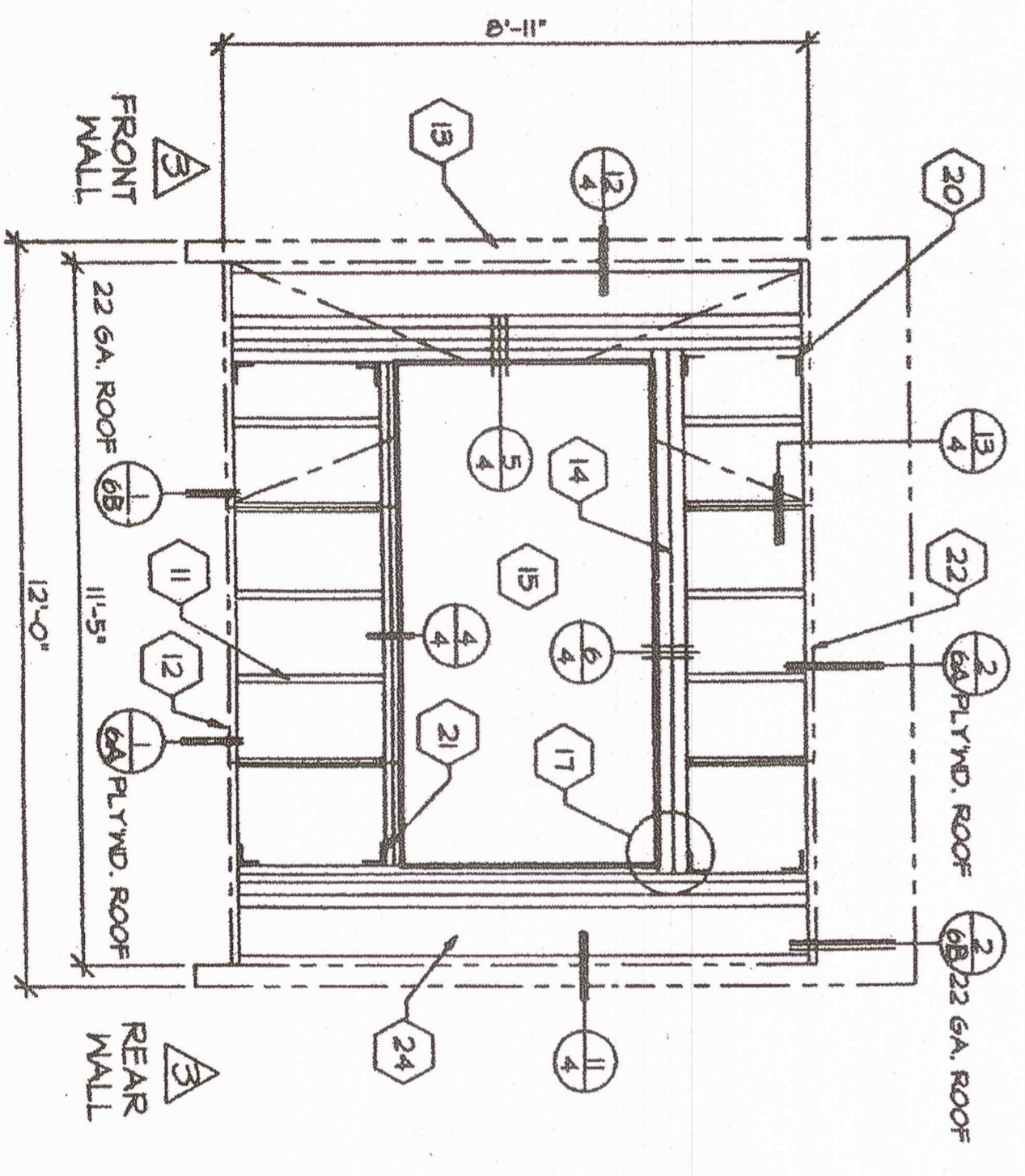
WALL Δ SHOWN WITH NO OPENING
WALL ∇ OPP. HAND



WALL LOCATIONS
SCALE 1/8" = 1'-0"



TYPICAL ENDWALLS
SCALE 3/8" = 1'-0"

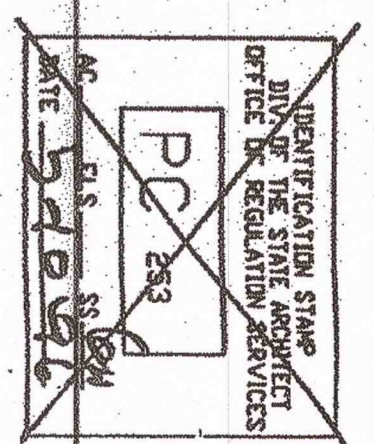


KEYNOTES

- 1 ROOF SHEATHING- SEE SHEET 4
- 2 STEEL ROOF JOIST- SEE SHEET 5
- 3 5-1/2 FIBERGLASS INSULATION ON VERT. STUDS
- 4 SHOCK RESISTANT 1-5/8" X 1-5/8" X 1/2" FIBERGLASS INSULATION ON VERT. STUDS OR U.S.S.
- 5 SHEATHED CEILING- SEE SHEET 7
- 6 TYPICAL INTERIOR FINISH- SEE SHEET 4
- 7 R-11 FIBERGLASS INSULATION FLAME SPREAD 25 OR LESS
- 8 SHOCK RESISTANT 1-5/8" X 1-5/8" X 1/2" FIBERGLASS INSULATION ON VERT. STUDS OR U.S.S.
- 9 PLYWOOD FLOOR SHEATHING- SEE SHEET 5
- 10 STEEL FLOOR JOIST- SEE SHEET 5
- 11 NOT USED
- 12 PLYWOOD SIDING/SHEATHING- SEE SHEET 4 FOR MATERIAL. WALL SIDING WITH CORROSION RESISTANT 6d BOX NAILS @ 6" BOUNDARY & EDGES, 12" FIELD.
- 13 STUDS- 2x4 H.F. STUD GRADE @ 16" O.C.
- 14 BOTTOM PLATE- 2x4 H.F. STD. & BETTER.
- 15 STEEL FRAME- SEE SHEET 5 *STRUCTURAL ELEVATIONS* FOR HEADER TYPES AND SIZES.
- 16 WINDOW HEADER- (3) 2x4 D.F. #1 FLAT.
- 17 FRAME FOR 8'-0" X 4'-0" WINDOW. STUDS W/1- 2x4 LVL (3) 2x4 TRIMMER BOTH SIDES AND (2) 2x4 FLAT FOR WINDOW SILL.
- 18 FRAME FOR 3'-0" X 6'-0" DOOR. USE (3) FULL HEIGHT 2x4 TRIMMER UNDER DOOR. (1) 2x4 FOR HEAVEN. SEE DETAIL 1 SHEET 4 & (2) 2x4 FOR HEAVEN. SEE DETAIL 1 SHEET 4
- 19 NAIL THRU VERTICAL STUD INTO HORIZ. SILL OR SILL W/ MIN. (4) 10d NAILS PER CONNECTION. TYPICAL AT CORNERS OF ALL OPENINGS.
- 20 4x4 D.F. POST
- 21 SEE SHEET 9 FOR N/C SIZE AND TONNAGE.
- 22 'SIMPSON' A35 CLIPS (4) PLACES TO TOP AND BOTTOM PLATES
- 23 'SIMPSON' A35 CLIPS (4) PLACES TO WINDOW SILL AND HEADER OR (2) PLACES TO DOOR HEADERS.
- 24 2x4 PLATE- H.F. STD. 66D OR BETTER.
- 25 FIRE BLOCKING PER SEC. 708, 1994 C.B.C.

D.S.A.

REVISED



IDENTIFICATION STAMP
DW. OF THE STATE ARCHITECT
03110412
AC/RS/SS/TB
DATE 03/11/96

CHECKED

REVISIONS

16833 Kromeria Ave., Riverside, CA. 92504
Phone (909) 789-7196
Fax (909) 789-0263



URORA MODULAR INDUSTRIES
RELOCATABLE BUILDING FOR
WILLIAMS/SCOTSMAN GROUP

**BUILDING SECTIONS
WALL FRAMING**

3767
PC29-3-DWG