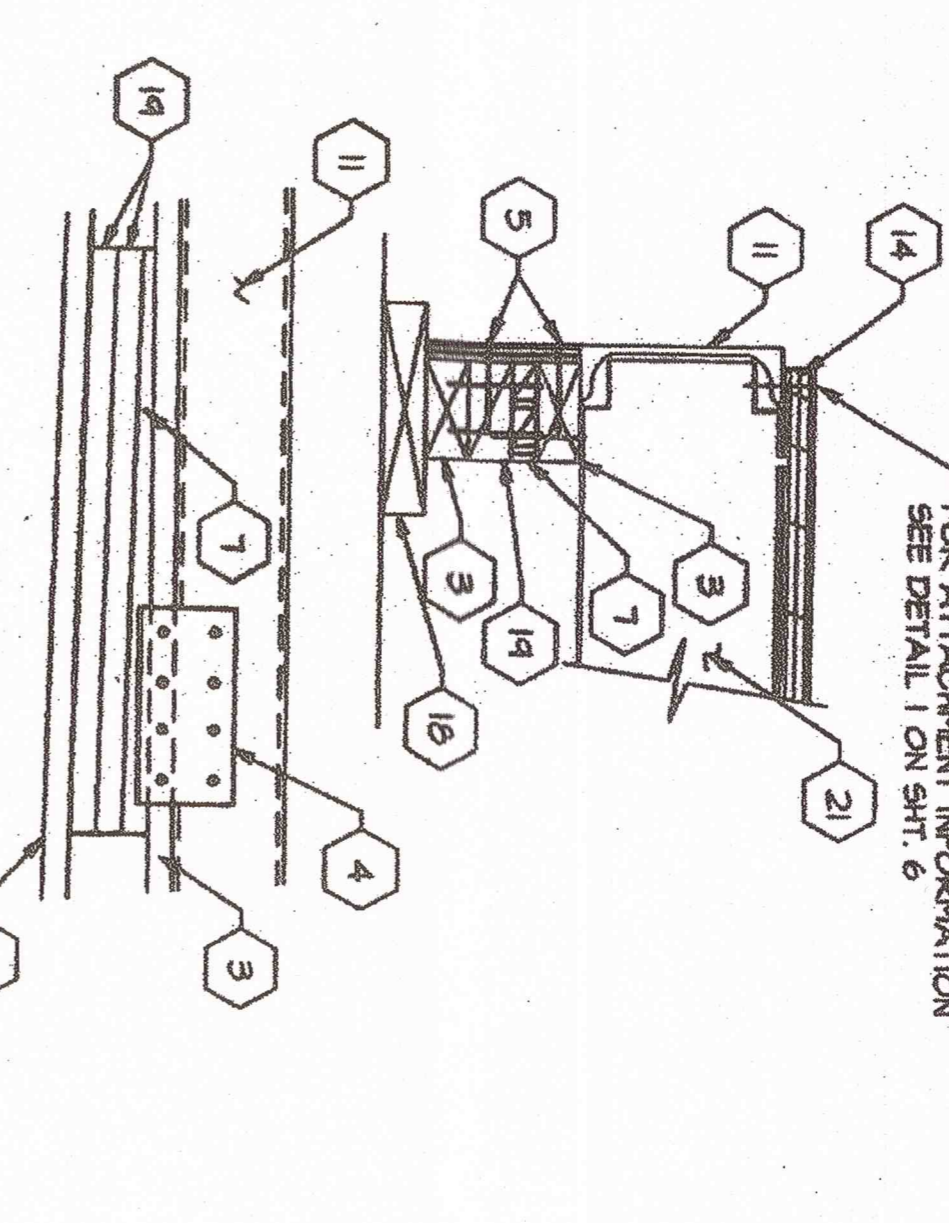
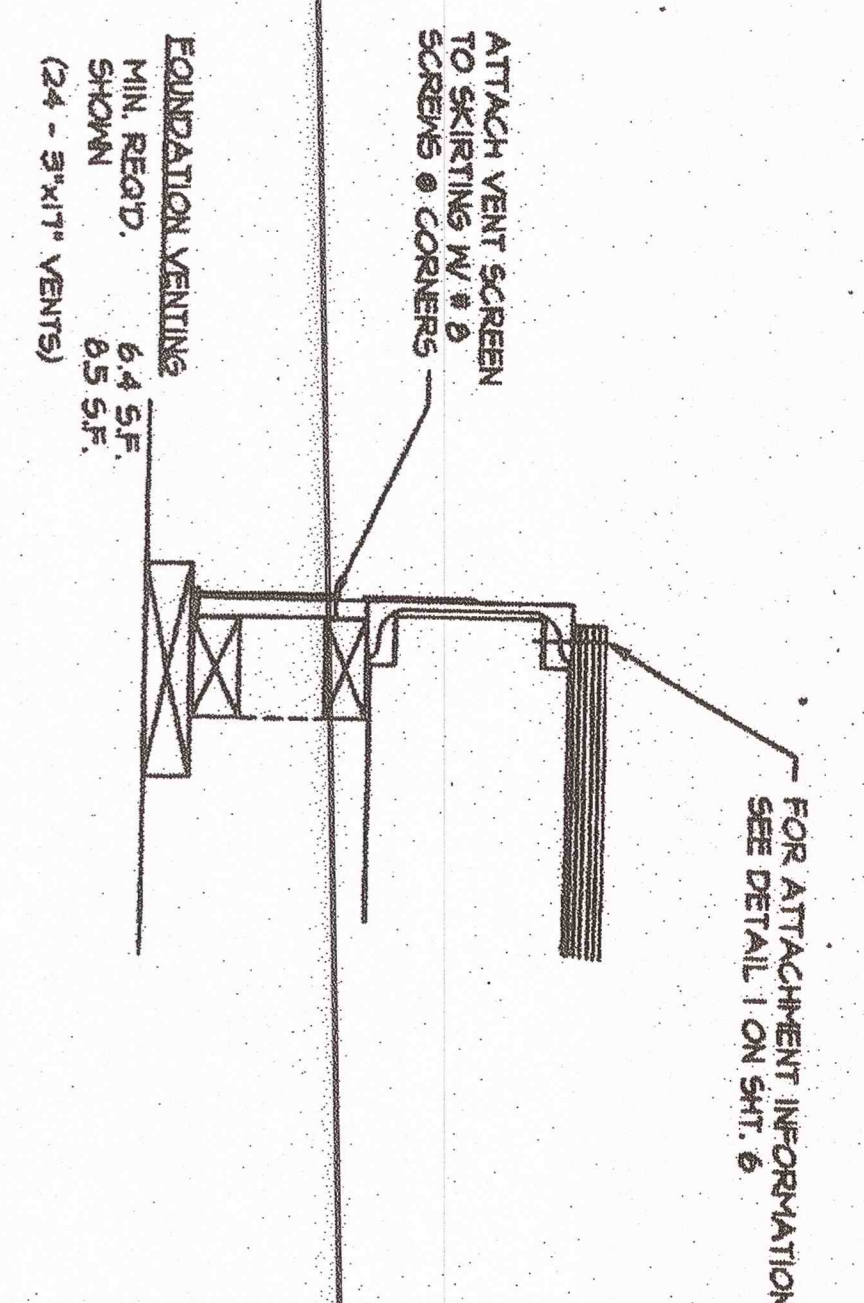


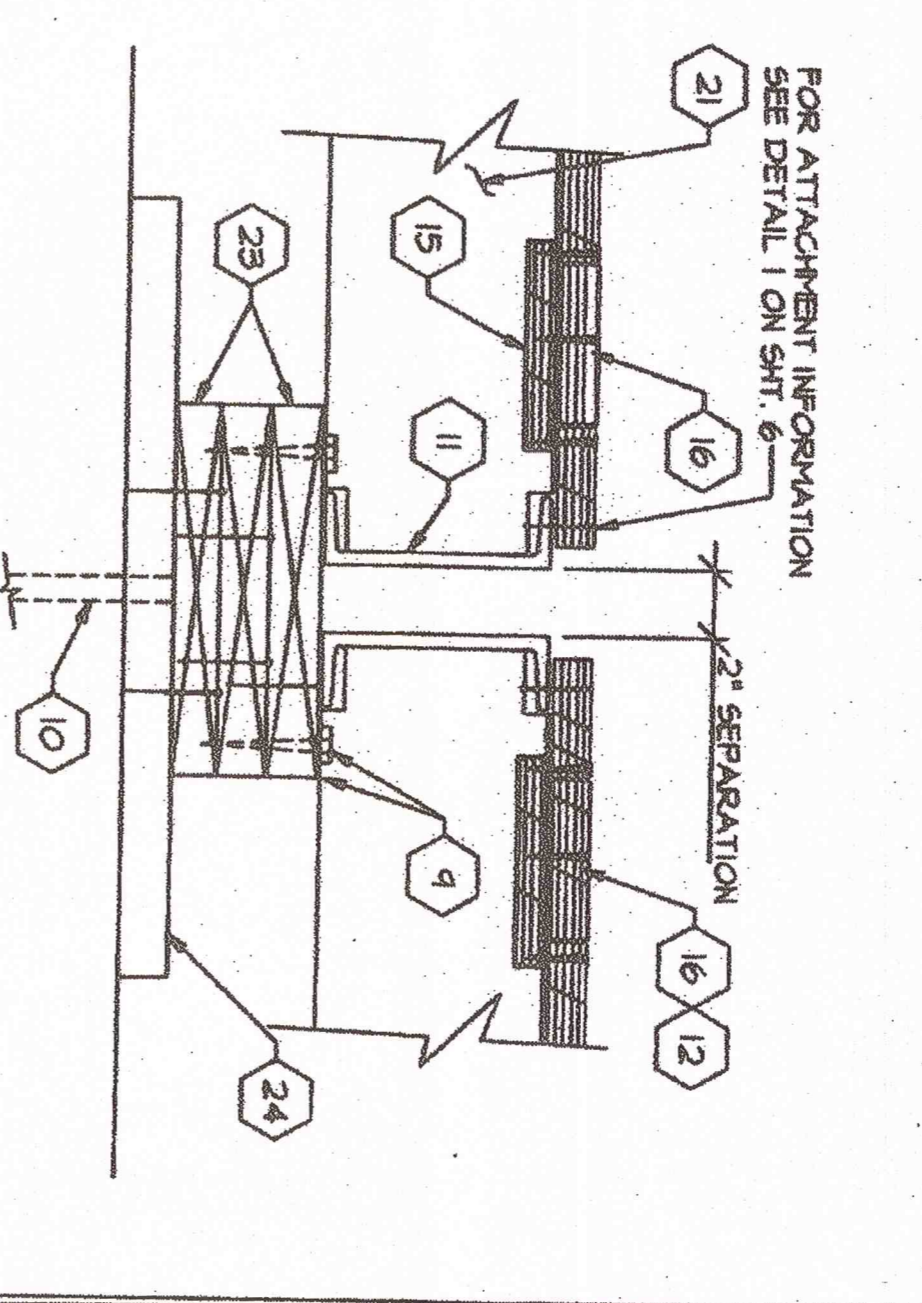
FOUNDATION AT SIDEWALL 1



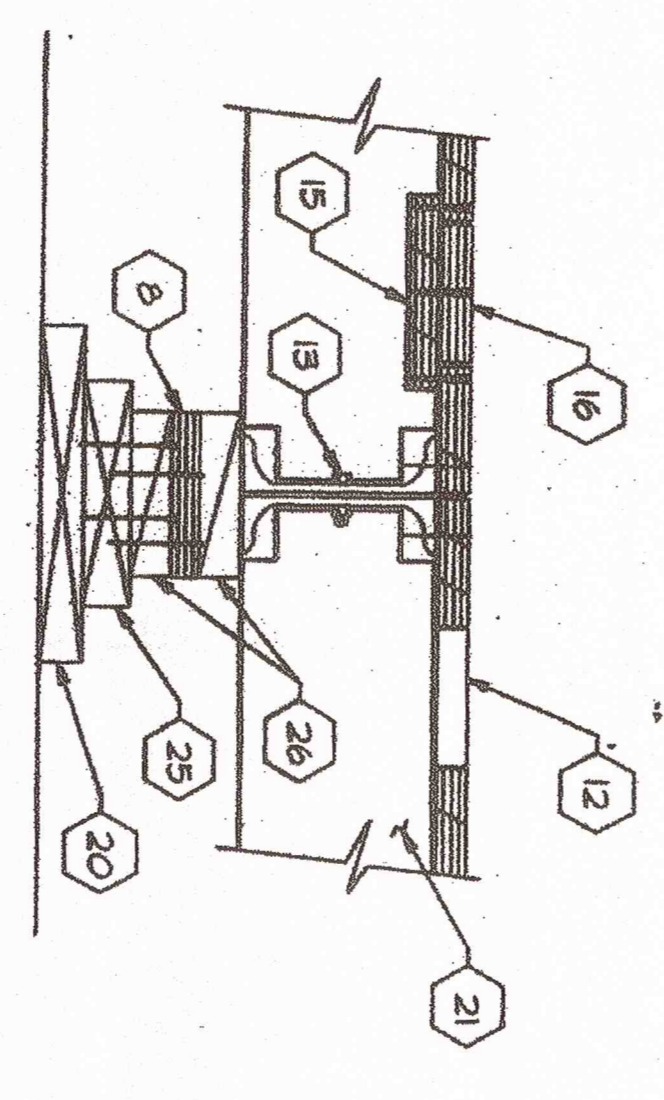
SHIMMING AND SKIRTING (SIDEWALL SHOWN) 2



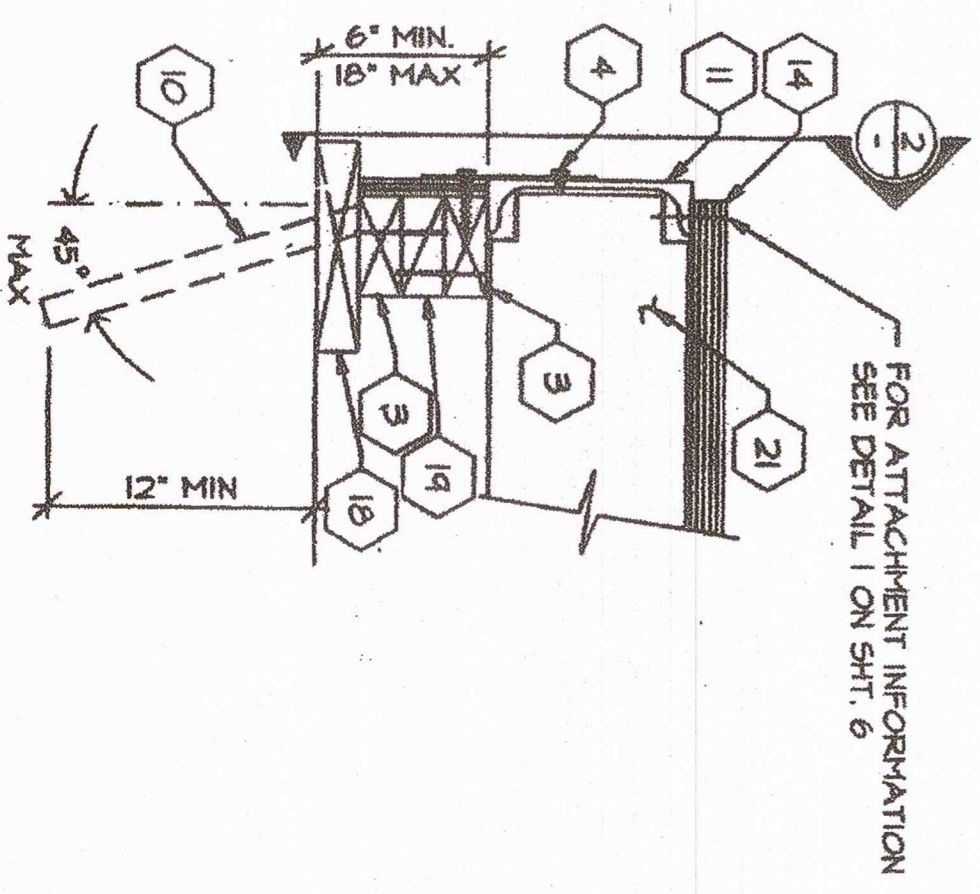
FOUNDATION VENTING 5



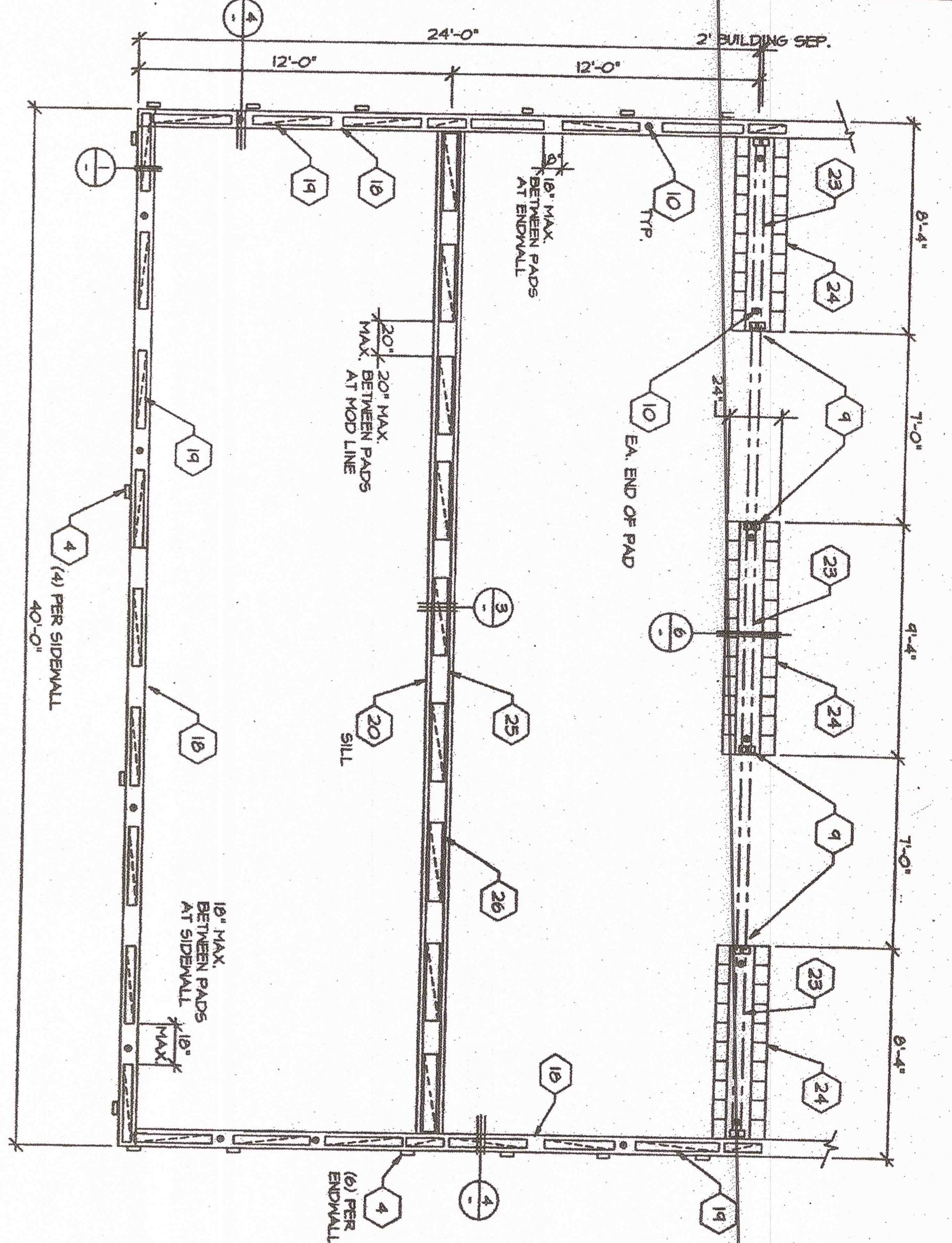
COMMON PAD 6



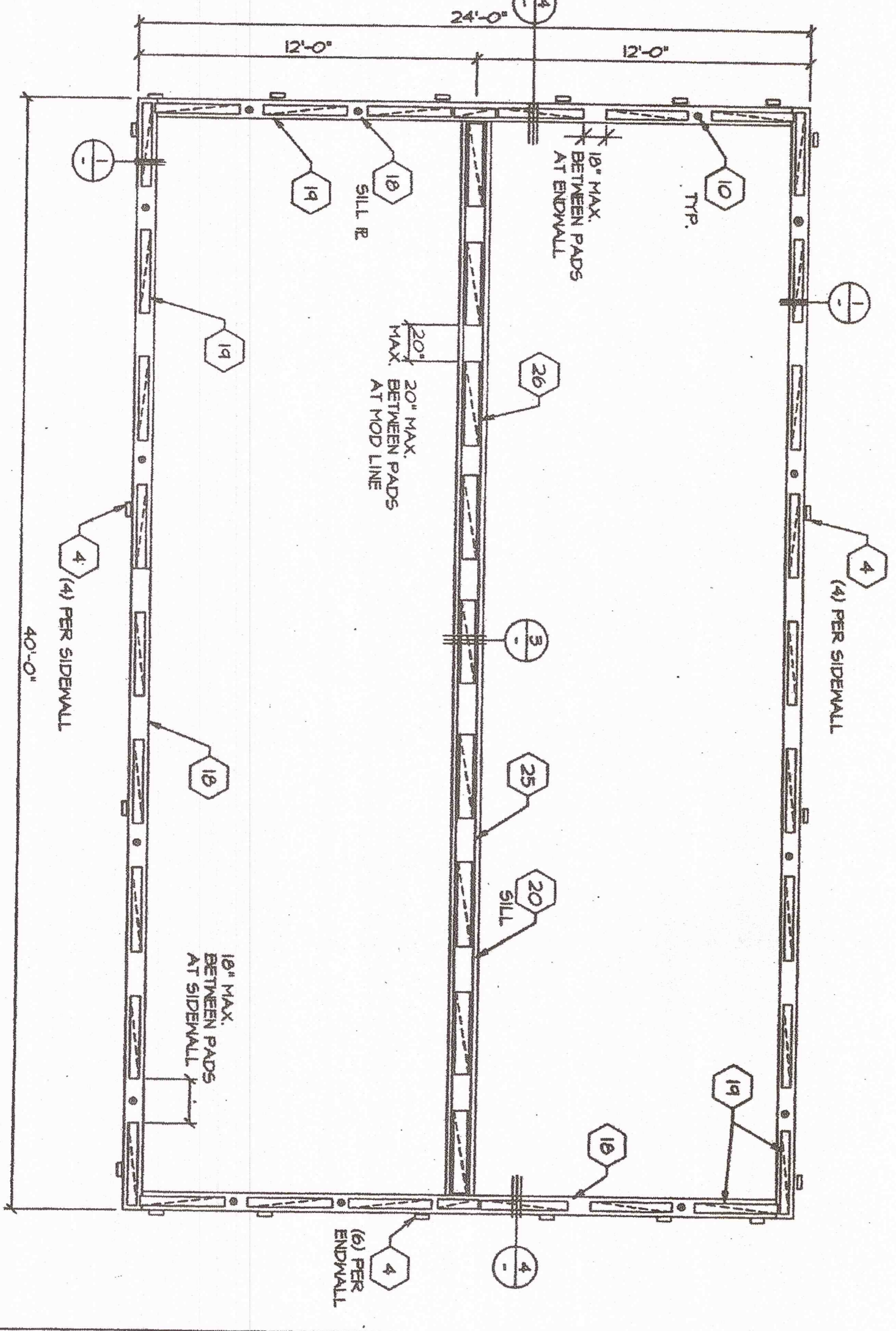
FOUNDATION AT MOD LINE 3



FOUNDATION AT ENDWALL 4



FOUNDATION PLAN @ ADJACENT BLDG SCALE: 1/4" = 1'-0" (50 PER LIVE LOAD) 6



FOUNDATION PLAN SCALE: 1/4" = 1'-0" (50 PER LIVE LOAD) 7

KEYNOTES

- 1 MAXIMUM SOIL BEARING PRESSURE - 1000 P.S.F.
- 2 ALL FOUNDATION LUMBER SHALL BE HEAVY FIR #2
- 3 ALL LUMBER IN CONTACT WITH GROUND SHALL BE TREATED
- 4 ALL FOUNDATION LUMBER SHALL BE CORROSION RESISTANT
- 5 ALL FOUNDATION LUMBER SHALL BE TREATED
- 6 ALL FOUNDATION LUMBER SHALL BE TREATED
- 7 ALL FOUNDATION LUMBER SHALL BE TREATED
- 8 ALL FOUNDATION LUMBER SHALL BE TREATED
- 9 ALL FOUNDATION LUMBER SHALL BE TREATED
- 10 ALL FOUNDATION LUMBER SHALL BE TREATED
- 11 ALL FOUNDATION LUMBER SHALL BE TREATED
- 12 ALL FOUNDATION LUMBER SHALL BE TREATED
- 13 ALL FOUNDATION LUMBER SHALL BE TREATED
- 14 ALL FOUNDATION LUMBER SHALL BE TREATED
- 15 ALL FOUNDATION LUMBER SHALL BE TREATED
- 16 ALL FOUNDATION LUMBER SHALL BE TREATED
- 17 ALL FOUNDATION LUMBER SHALL BE TREATED
- 18 ALL FOUNDATION LUMBER SHALL BE TREATED
- 19 ALL FOUNDATION LUMBER SHALL BE TREATED
- 20 CONTINUOUS 2x8 P.T.H.F. SILL PLATE. PLATE SPLICES SHALL OCCUR AT CENTER OF 2x8 BLOCK LOCATIONS.
- 21 FLOOR JOIST OR SLOTTED BETWEEN FLOOR JOIST.
- 22 NOT USED
- 23 CONTINUOUS 2x12 (SEE PLAN) - MAIL (2) 16d AT EACH END AND 12" O.C.
- 24 2x10x4" LONG SILL PADS, P.T.H.F. (SEE PLAN FOR QUANTITY) 10 AT ENDS AND 12 AT INTERIOR
- 25 CONTINUOUS 2x8 H.F. PLATE. PLATE SPLICES SHALL OCCUR AT CENTER OF 2x8 BLOCK LOCATIONS.
- 26 2x6x 3'-0" LONG BLOCKS. MAIL BLOCKS TOGETHER WITH 16d BOX NAILS @ 4" O.C. AND (2) 16d NAILS AT EACH END.

REVISIONS

NO.	DATE	DESCRIPTION

16833 Krameria Ave., Riverside, CA. 92504
 Phone (951) 789-7196
 Fax (951) 789-0263

TURORA MODULAR INDUSTRIES

RELOCATABLE BUILDING FOR
WILLIAMS/SCOTSMAN GROUP

FOUNDATION PLAN & DETAILS
 SHEET
 DATE 9-3-96
 (WOOD 50 LBS. LIVE LOAD)

2A
 3707
 PC253-2A.DWG