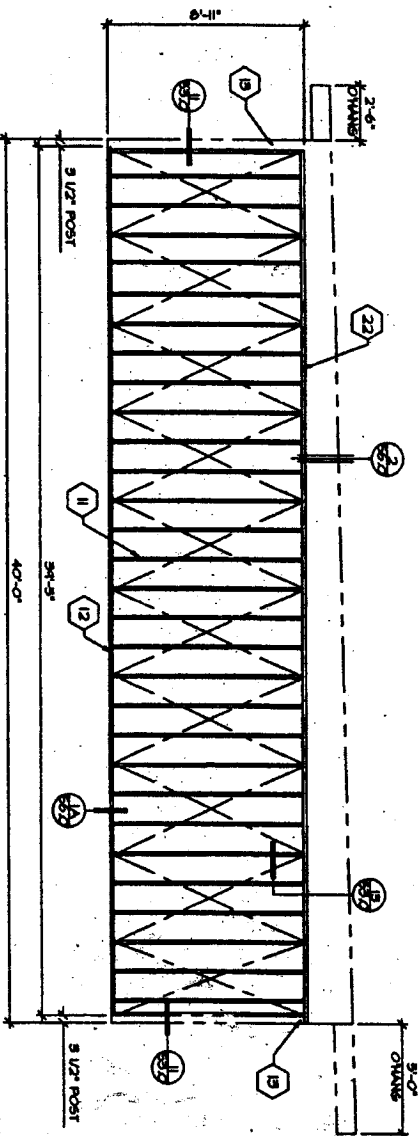
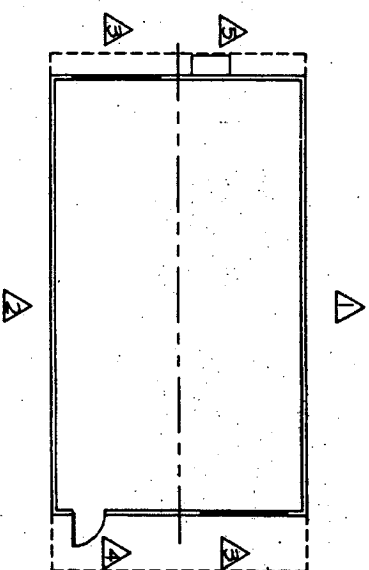


**BUILDING SECTIONS**  
SCALE: 1/4" = 1'-0"

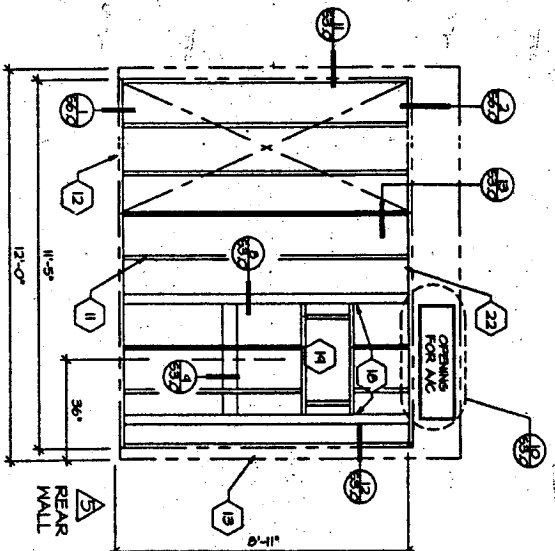
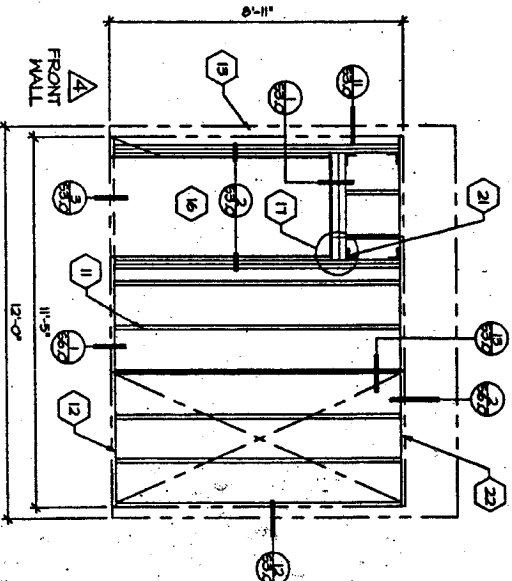
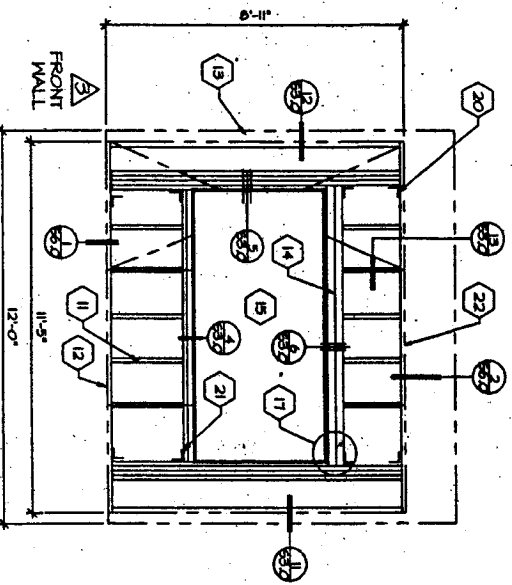


**TYPICAL SIDEWALL**  
SCALE: 1/4" = 1'-0"

WALL AS SHOWN  
WALL Δ OPPOSITE HAND



**WALL LOCATIONS**  
SCALE: 1/8" = 1'-0"



**TYPICAL ENDWALLS**  
SCALE: 3/8" = 1'-0"

**KEYNOTES**

- 1 ROOF SHEATHING- SEE SHEET 41
- 2 STEEL ROOF JOIST- SEE SHEET 541
- 3 R-41 FIBERGLASS INSULATION ON HEAVY STRAPS.
- 4 SUPERDOD CEILING- SEE SHEET 410
- 5 TYPICAL INTERIOR FINISH- SEE SHEET 41
- 6 R-11 FIBERGLASS INSULATION
- 7 PLYWOOD FLOOR SHEATHING- SEE SHEET 541
- 8 STEEL FLOOR JOIST- SEE SHEET 541
- 9 NOT USED
- 10 PLYWOOD SHEATHING- SEE SHEET 410 FOR MATERIAL, WALL SIDING WITH CORROSION RESISTANT DOOR NAILS & 6" BOARDWALK & EDGES UP FIELD.
- 11 STUDS- 2x4 H.P. STUD SPACE @ 16" O.C.
- 12 BOTTOM PLATE- 2x4 H.P. STUD END, 1 BETTER.
- 13 STEEL FRAME- SEE SHEET 541 'STRUCTURAL ELEVATIONS'
- 14 WINDOW HEADER- (2) 2x4 H.P. STUD END, 1 BETTER.
- 15 FRAME FOR 6'-0" x 4'-0" WINDOW
- 16 (2) FULL HEIGHT H.P. 2x4 STUDS W/ 1 2x4 TRIMMER BOTH SIDES AND (2) 2x4 FLAT AT 90 DEGREE TO STUDS.
- 17 WALL TRIM, VERTICAL STUD END, HORIZ. HEAD OR SILL W/ H.P. (4) 1x4 NAILS PER CONNECTION. TYPICAL AT CORNERS OF ALL OPENINGS.
- 18 4x4 H.P. POST
- 19 SEE SHEET 41 FOR A/C SIZE AND TOWER/OPPOSITE WALL PLATE
- 20 SHIPSON A/B CLIPS (4) PLACES TO TOP AND BOTTOM PLATES.
- 21 SHIPSON A/B CLIPS (4) PLACES TO WINDOW SILL AND HEADER OR (2) PLACES TO DOOR HEADER.
- 22 2x4 PLATE- H.P. STRIKEWAD OR BETTER.
- 23 FIRE BLOCKING PER SEC. 708, 1944 C.B.C.
- 29 FIRE BLOCKING PER SEC. 708, 1944 C.B.C.

NOTE: WHEN BUILDING WIND LOAD IS SOVERNI USE D.F. 42 HOOD MEMBERS.

**CBC 1998**

**PC**

**D.S.A.**  
REGISTRATION STATE OF CALIFORNIA  
04-101055  
DATE: JUN 23 1998

**D.S.A.**  
ROBERT J. FORTSON  
REGISTERED ARCHITECT  
NO. 20672  
DATE: 11/11/83

**ARCHITECT**

**CHANGE ORDER**

**CHECKED BY**

10833 Krameria Ave., Riverside, CA 92504  
Phone (909) 798-7196  
Fax (909) 798-0283  
**TURORA MODULAR INDUSTRIES**

**BUILDING SECTIONS, WALL FRAMING MONO SLOPE WOOD STUDS (24x40)**

**S.S. SHEET**