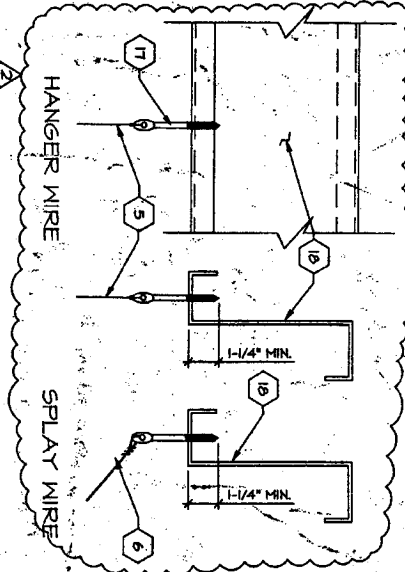
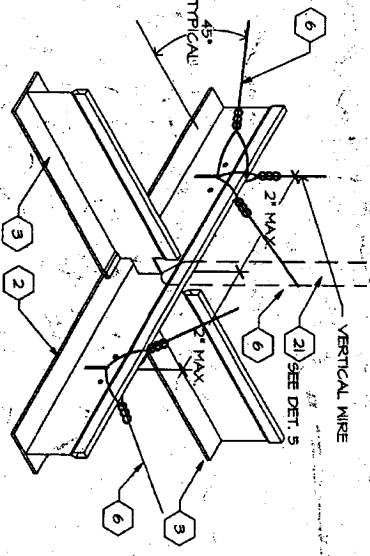


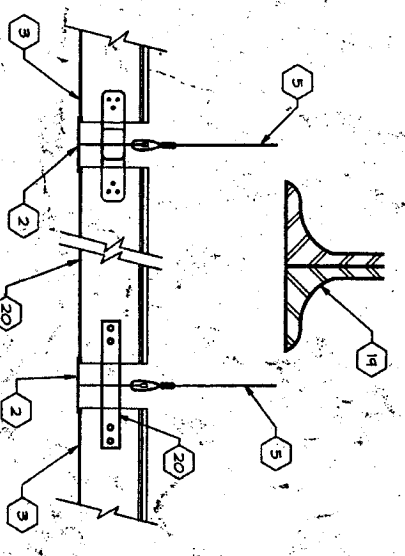
VERTICAL BRACE



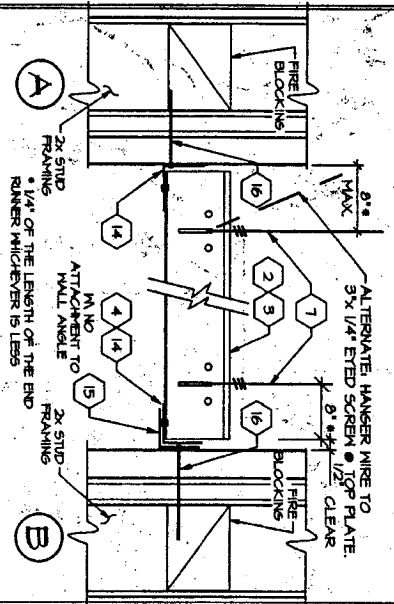
ALT. WIRE ATTACHMENT



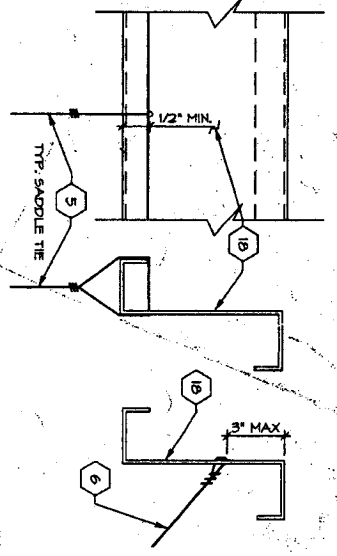
SPLAY WIRE



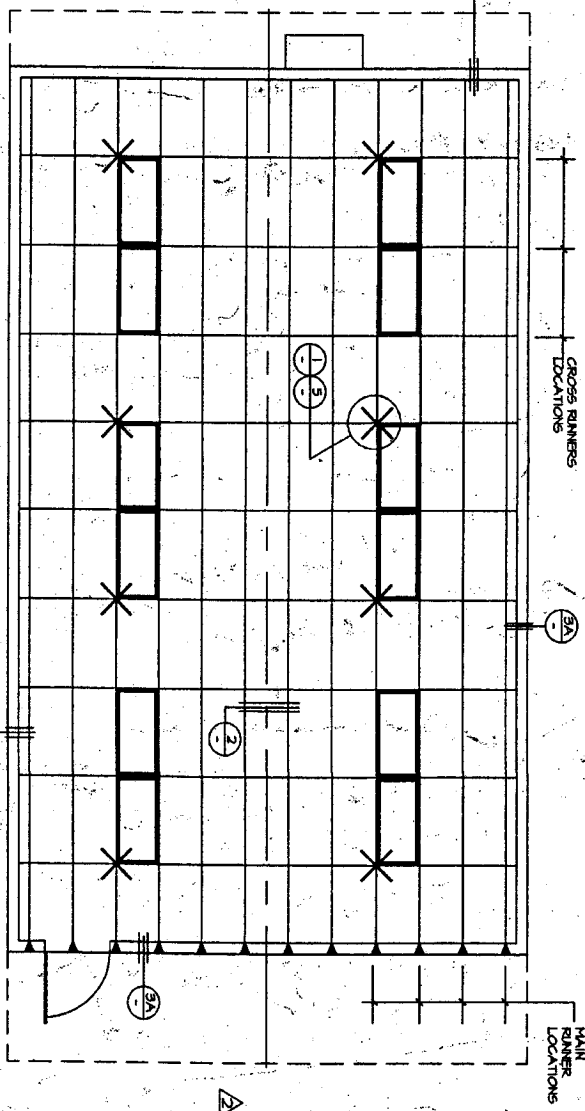
GRID AT MODLINE



GRID AT WALL



ALT. WIRE ATTACHMENT



REFLECTED CEILING PLAN (24X40)

CEILING HEIGHT 8'-6"

SCALE 1/4" = 1'-0"

- 1 MAIN RUNNER - 41/2" O.D. MAX. WITH HANGER WIRES SPACED @ 4" O.C. MAX.
- 2 MAIN RUNNER, ABS-STROKS - 1301 HEAVY DUTY
- 3 CROSS RUNNER, ABS-STROKS - 1302 HEAVY DUTY
- 4 WALL RUNNER, ABS-STROKS 1300 D
- 5 TYPICAL HANGER WIRE TO BE 1/2" DIA. STEEL WIRE ATTACHED TO STRUCTURE ABOVE AND TO GRID WITH TIGHT TURNS WITHIN 1/2" - SEE DETAIL 4
- 6 TYPICAL SPLAY WIRE TO BE 1/2" DIA. STEEL WIRE ATTACHED TO STRUCTURE ABOVE AND TO GRID WITH TIGHT TURNS WITHIN 1/2" - SEE DETAIL 4
- 7 AT END OF BONE OF RUNNERS, A HANGER WIRE SHALL BE ATTACHED WITHIN 6" OF ANY WALL OR SCOTTER OR 1/4" LENGTH OF END THE WHICHEVER IS LEAST
- 8 VERTICAL WIRES MORE THAN 16" OUT OF FLUSH SHALL HAVE COUNTERSUNK WIRE NUTS INSTALLED.
- 9 RUNNERS MAY BE ATTACHED TO WALL HOLDING AT (2) MODLINE IS 15" AT OTHER END AND SHALL BE 2" CLEARANCE BETWEEN END RUNNER AND FACE OF WALL.
- 10 CEILING AREAS EVERY 144 SQ. FT. OR MORE SHALL HAVE SPLAY WIRES SHALL BE TIGHT BUT SHALL NOT DISTORT GRID.
- 11 ELECTRICAL SHALL PROVIDE (2) SLACK HANGER WIRES AT OPPOSITE CORNERS OF ALL LIGHT FIXTURES. WIRES LIGHT FIXTURES SHALL BE ATTACHED TO CEILING GRID WITH (2) #8 SHEET METAL SCREWS.
- 12 EXCEPTOR, IF REQUIRED, SHALL BE RIGIDLY ATTACHED TO STRUCTURE ABOVE AT INTERVALS NOT TO EXCEED 4'
- 13 CEILING RESISTERS, WHEN INDICATED ON PLANS, SHALL BE ATTACHED TO STRUCTURE ABOVE PER NOTE 5.
- 14 ROOF WALL, 70° ANGLE WITH POP RIVET TO EACH MEMBER
- 15 7/8" CONTINUOUS WALL ANGLE
- 16 6d WALL @ 16" O.C. INTO BLOCK OR STUD
- 17 1/2" x 1/2" x 1/2" SCREEN WIRE, 5-1 (D5A-A-000) FOR ATTACHMENT OF WIRES TO PARLUS
- 18 ROOF JOIST - SEE SHEET 54.0 OR 54.1
- 19 MODLINE ABOVE
- 20 CLOSE OFF CROSS TIE, INSERT ONE END OF CROSS TIE INTO WALL OR CEILING AND SECURE TO WALL WITH STRAP THROUGH MAIN RUNNERS, SECURE TO CROSS TIE W/ (2) #8 TEK SCREWS AT EACH END.
- 21 VERTICAL BRACE - 1/2" STEEL CONDUIT AT SPLAY WIRE LOCATIONS, DRILL (2) 1/8" HOLES THROUGH CONDUIT @ TOP & BOTTOM, ATTACH CONDUIT TO JOIST ABOVE W/ (2) #8 TEK SCREWS, WITHIN 2" OF CROSS RUNNER

KEYNOTE CIBC 1998

D. REVISED

IDENTIFICATION SYMBOL
DATE OF THE REVISED SHEET
04 - 101055
DATE: APR 13 2004

D.S.A.

PORTION 1

STRICT ENGINEER

ARCHITECT

UNIVERSITY OF CALIFORNIA
SCHOOL OF ARCHITECTURE
13802
UNIVERSITY AVENUE
LOS ANGELES, CA 90095
TEL: (213) 882-1004

CHANGE ORDER

ADDED JIF-E SCREEN

ALTERNATE

CHECKED BY

16833 Krameria Ave., Riverside, CA. 92504
Phone (951) 789-7196
Fax (951) 789-0263

TURORA-MODULAR INDUSTRIES

REFLECTED CEILING PLAN (24x40)

SHEET

A5.0