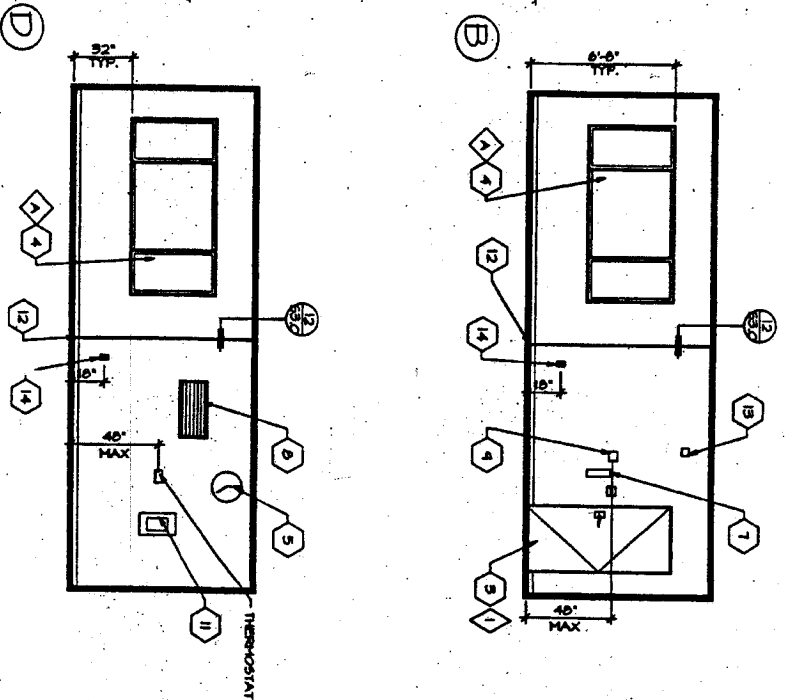
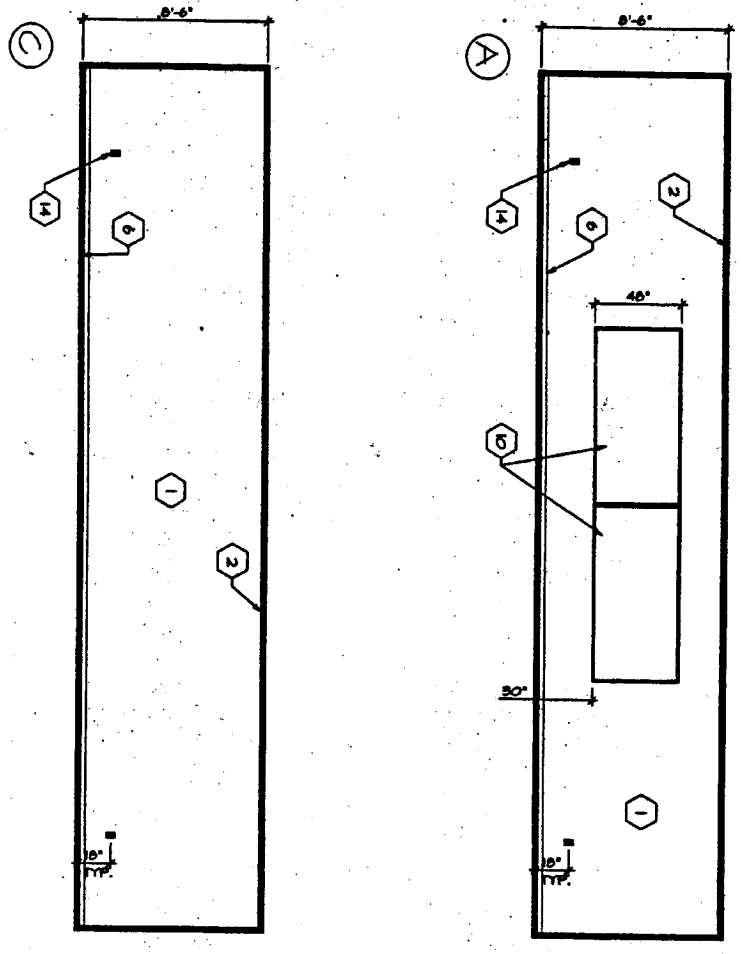


INTERIOR ELEVATIONS (24x40)

SCALE 1/4" = 1'-0"



KEYNOTES

- 1 TYPICAL INTERIOR FINISH- SEE SHEET 41
- 2 TYPICAL CEILING MATERIAL- SEE SHEET 41
- 3 EXTERIOR DOOR- SEE SHEET 41
- 4 ALUMINUM SLIDER WINDOW- SEE SHEET 41
- 5 CLOCK-SEE SHEET 41
- 6 FINISH FLOORING- SEE SHEET 41
- 7 FIRE EXTINGUISHER- 2 B.DRY CHEMICAL WITH 2A- FOR C.L. PARTNO. 721 INVOICE # 46 A.P.F.
- 8 M/VAC RETURN
- 9 FIRE ALARM- ROLL STATION LOCATED @ 4'-0" ON THE INTERIOR, HOORN OR BELL LOCATED @ 8'-6" ON THE EXT. CONDUIT TO BE STUBBED INTO ATTIC SPACE ONLY.
- 10 W/AREBOARD - SEE SHEET 41
- 11 ELECTRICAL PANEL, W.- SEE SHEET 41
- 12 VENT WRAPPED CLOSE-OFF BATT.
- 13 J-BOX FOR VISUAL WARNING DEVICE @ 60" A.P.F.
- 14 - ELECTRICAL OUTLET, SEE SHIT ELD
- 15 - Electrical outlet located at shif. R.O.

CBC 1998
PC

D.S.A.
PORTION 1
04-101055
DATE: 04-23-99

STRUCT. ENGINEER
ARCHITECT

CHANGE ORDER
CHECKED BY

16633 Kromerle Ave., Riverside, CA. 92504
Phone (800) 788-7196
Fax (800) 788-0263
URORA MODULAR INDUSTRIES

INTERIOR ELEVATIONS (24x40)

AS.0
SHEET