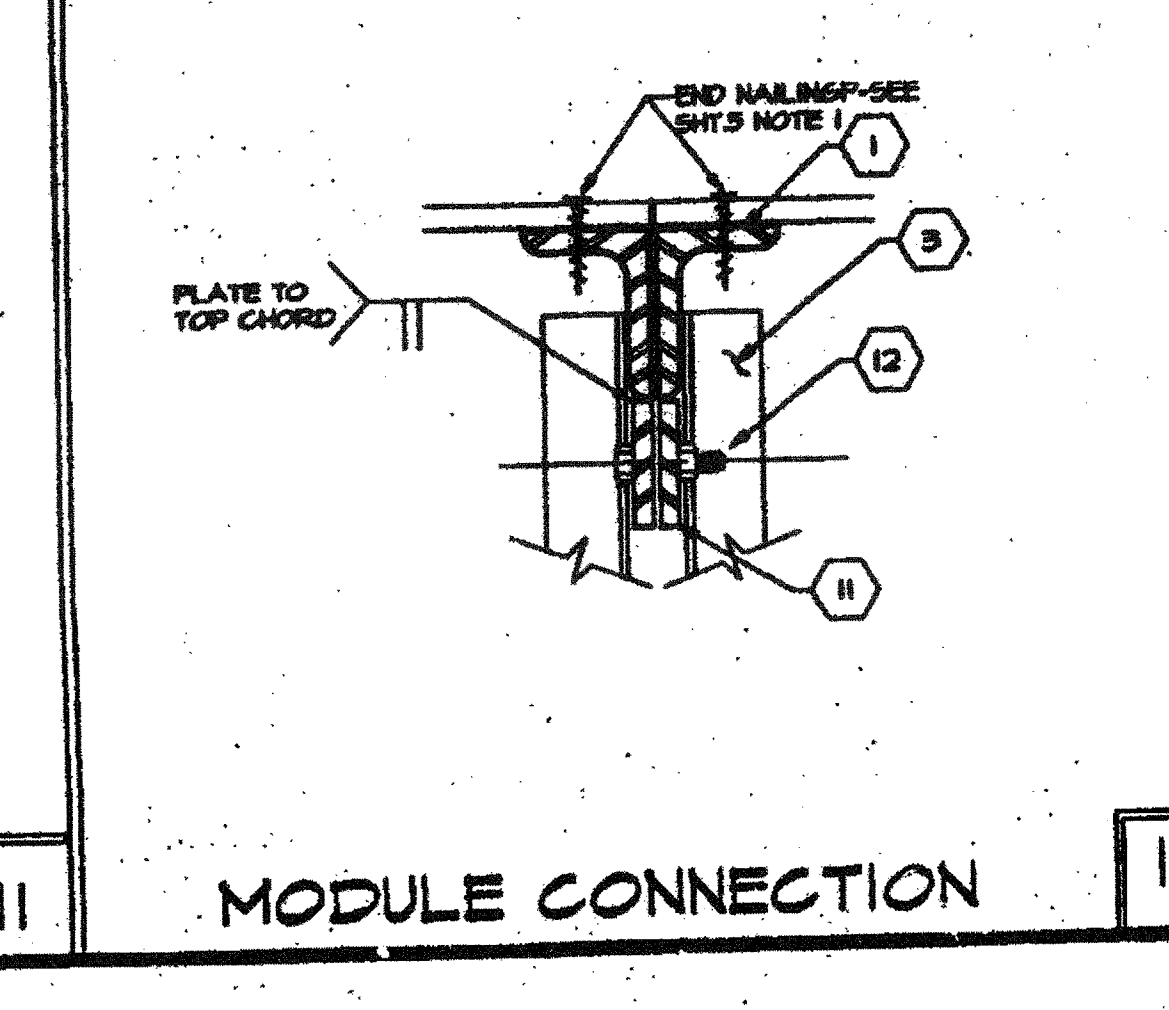
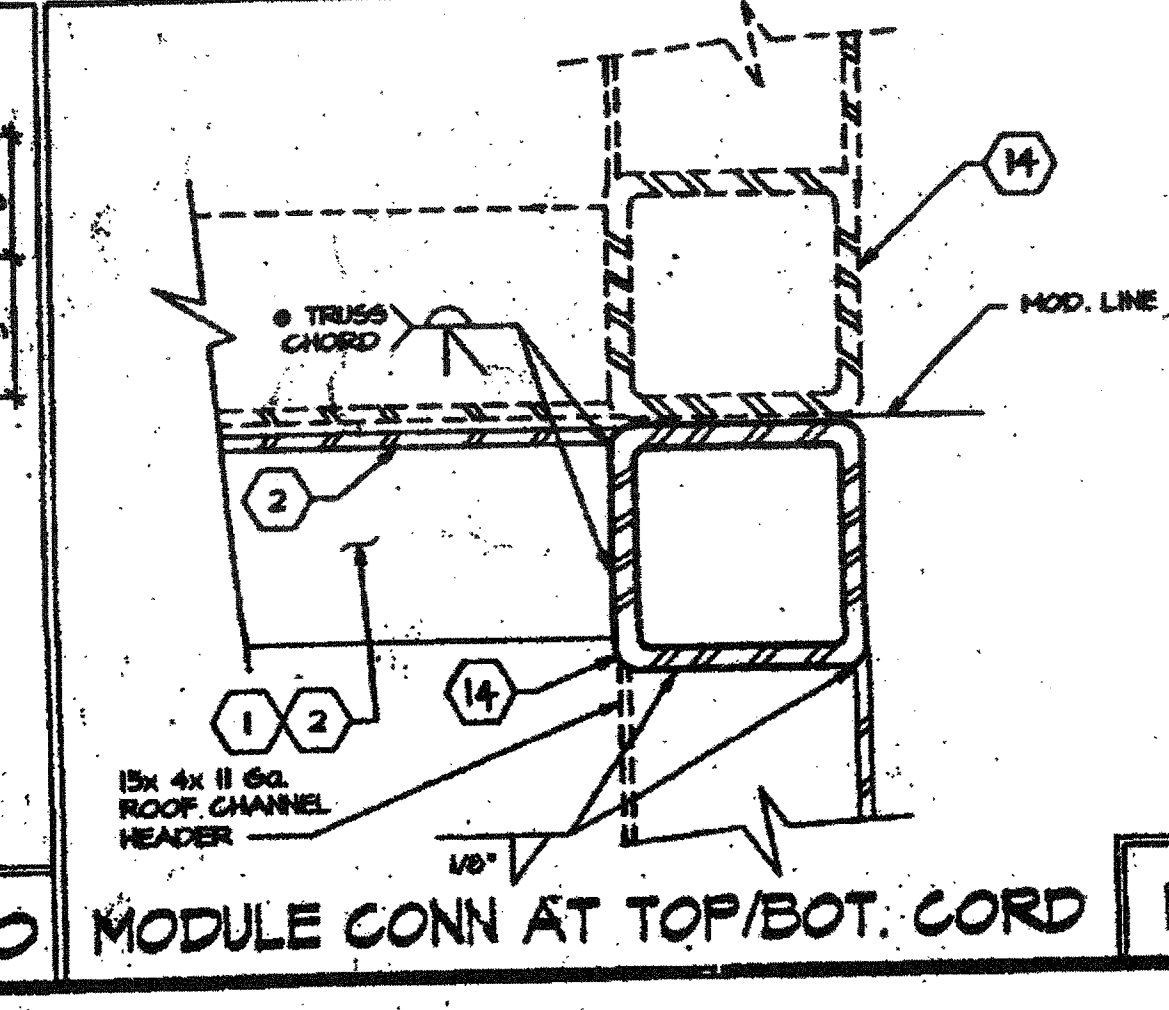
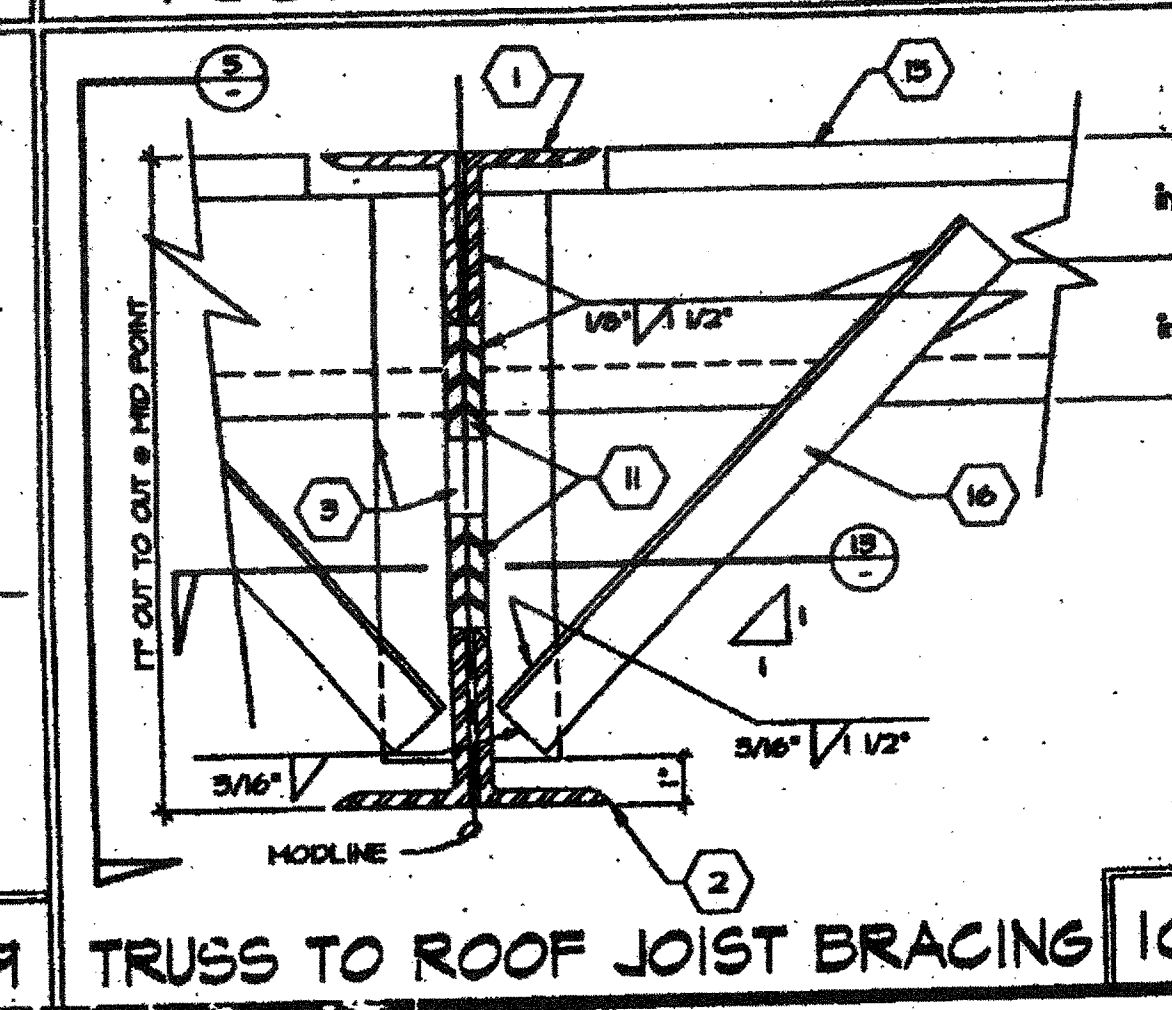
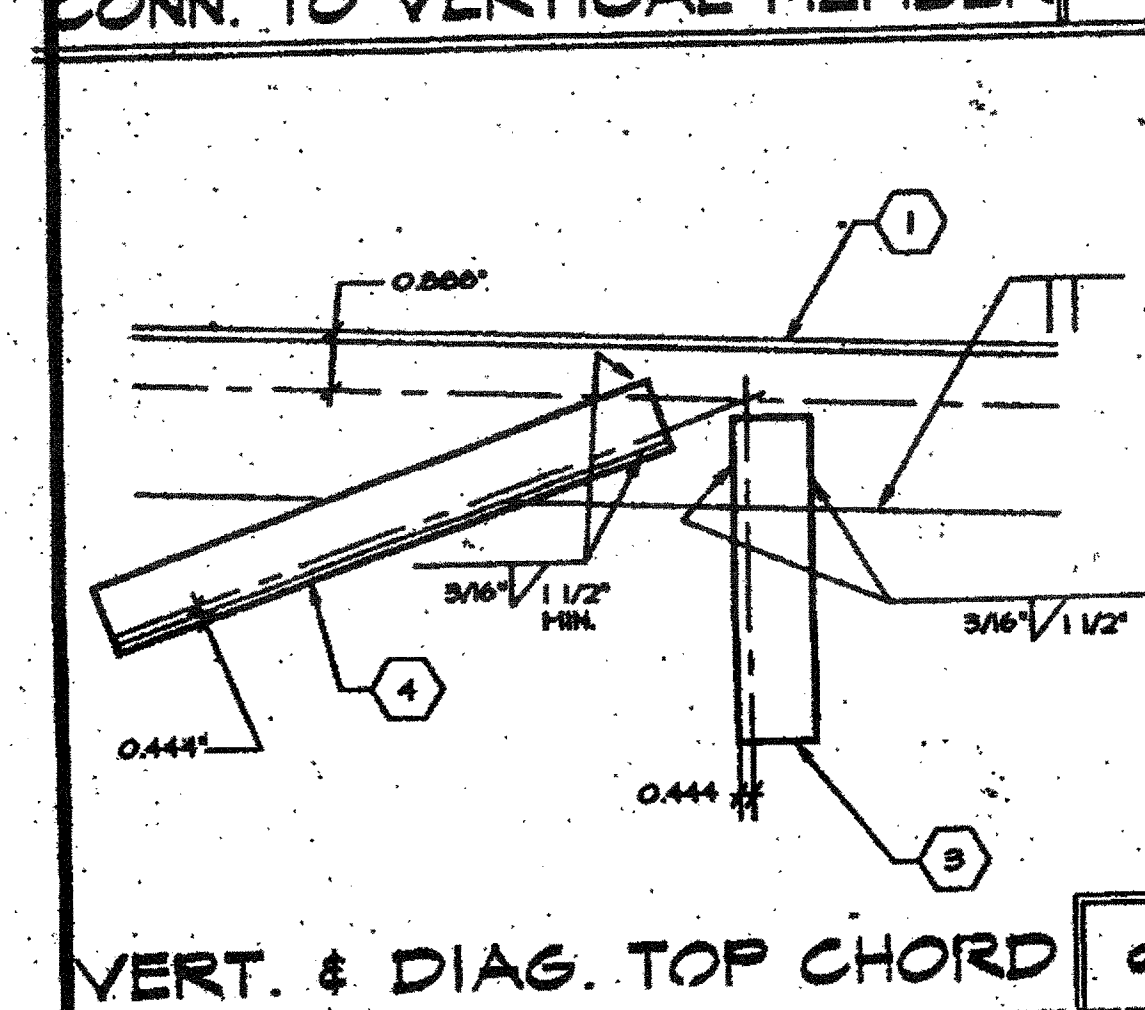
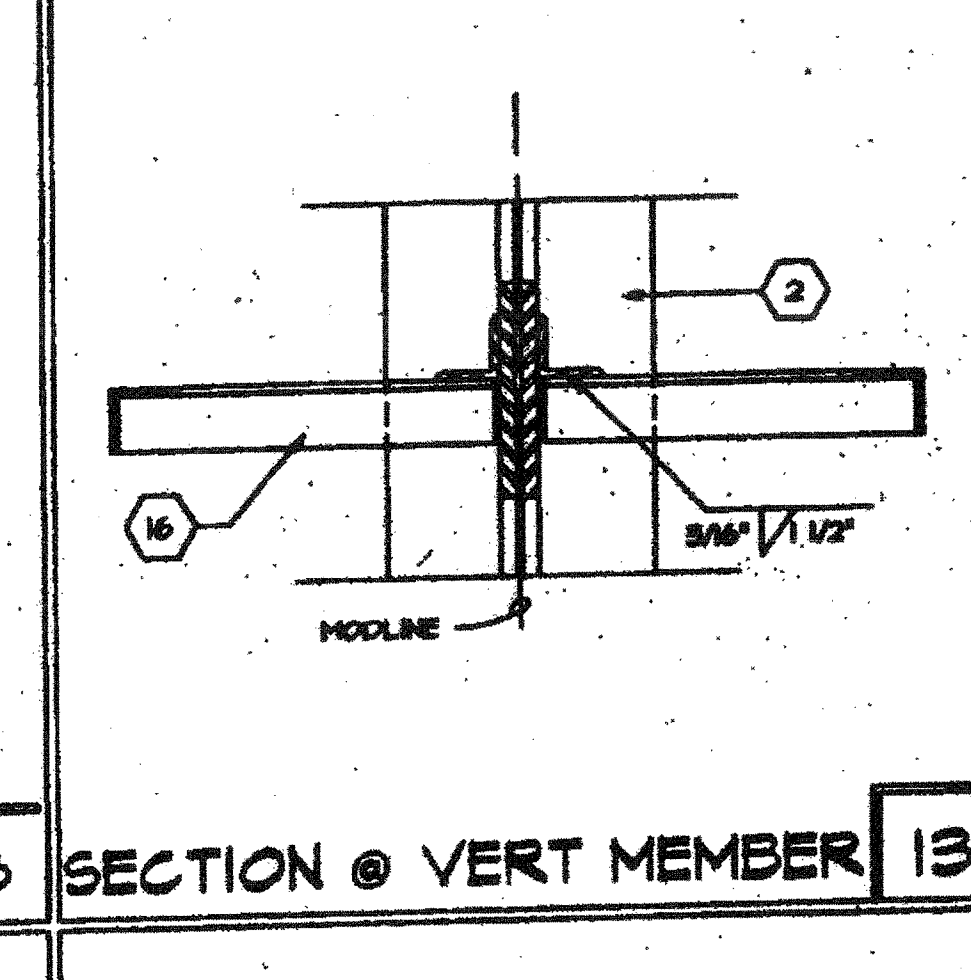
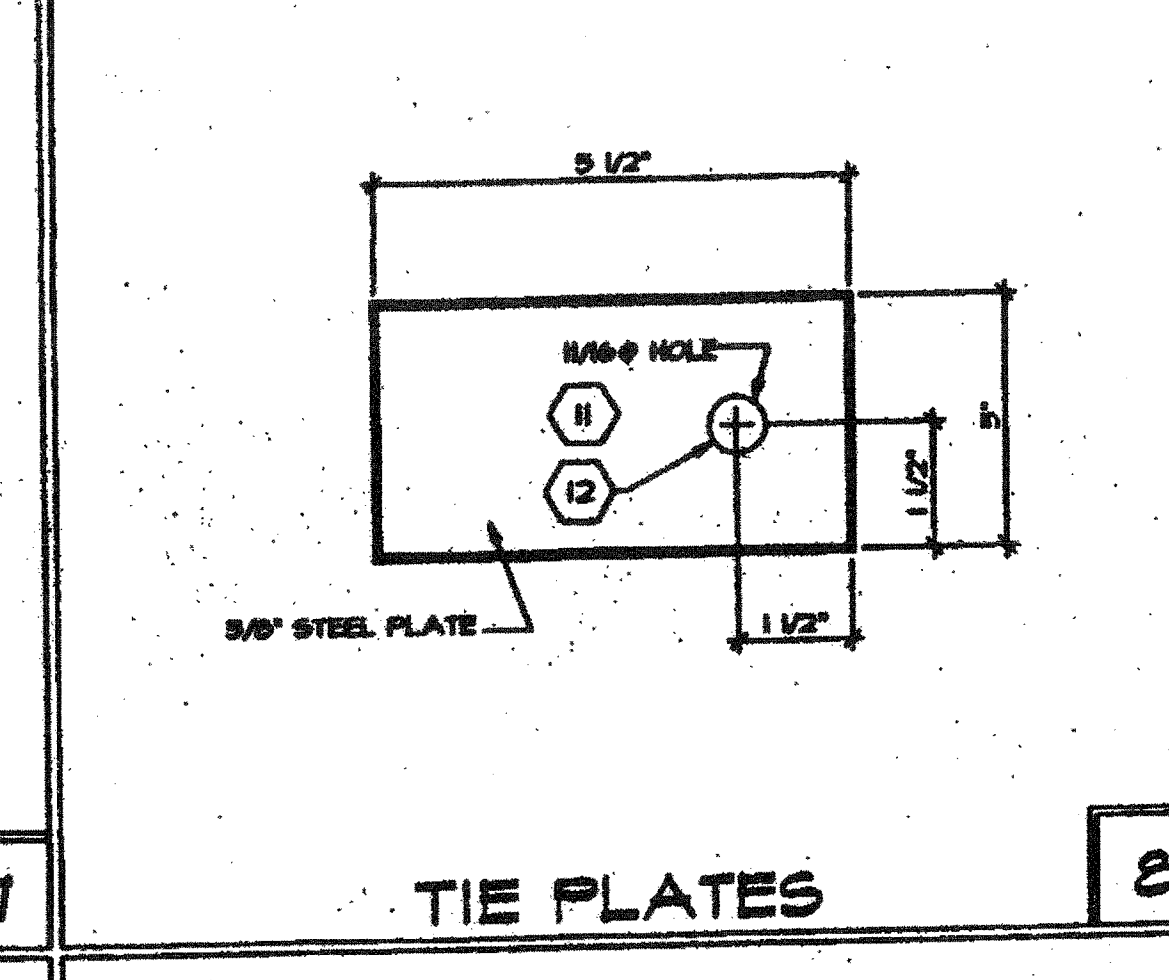
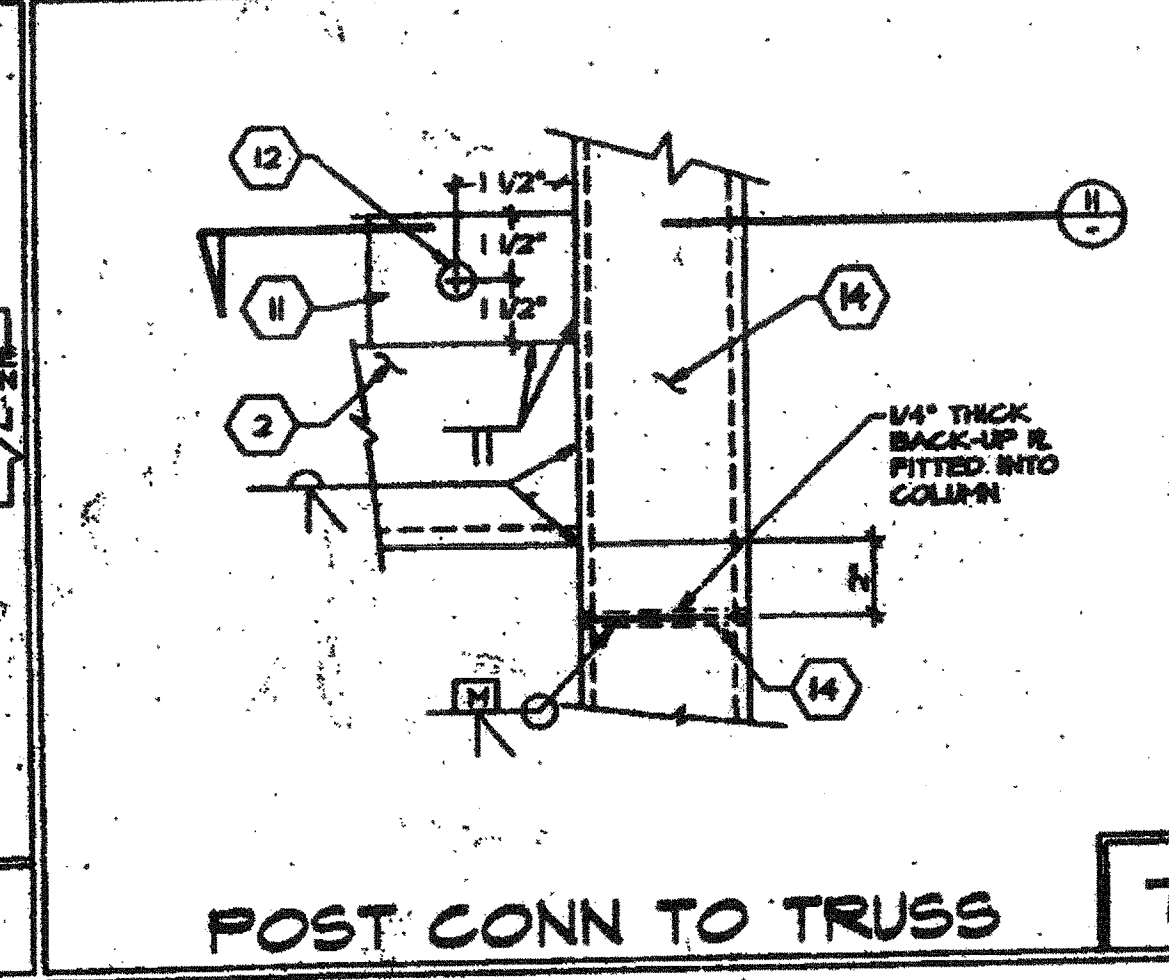
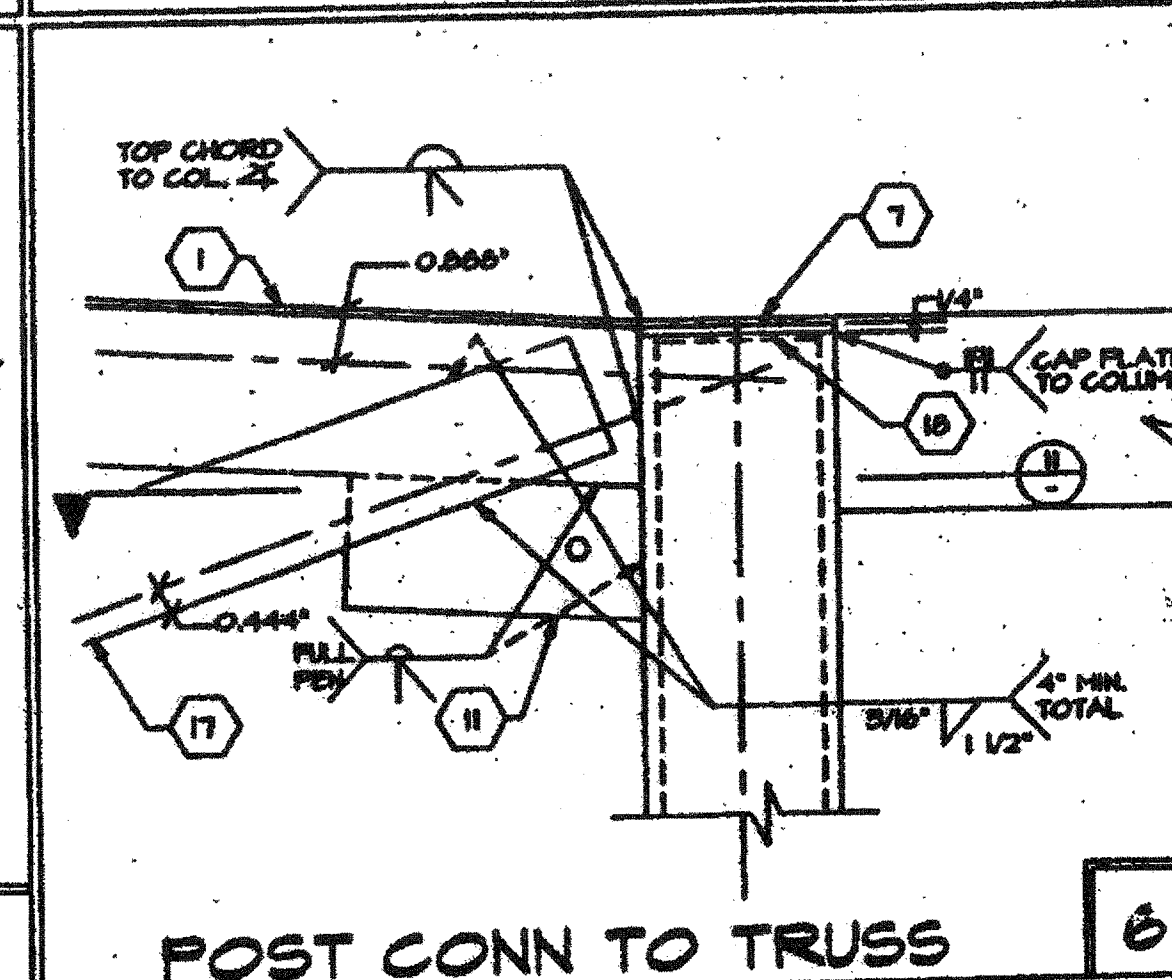
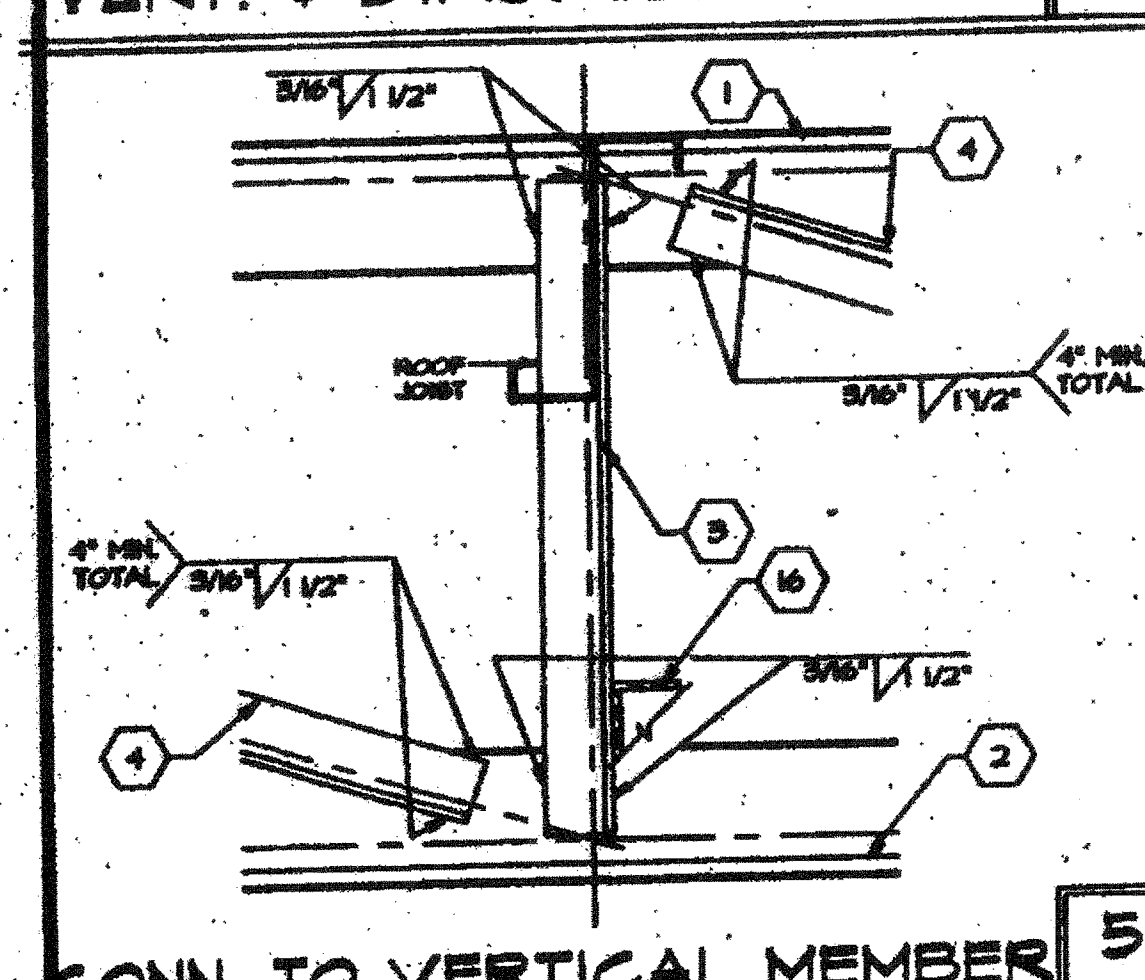
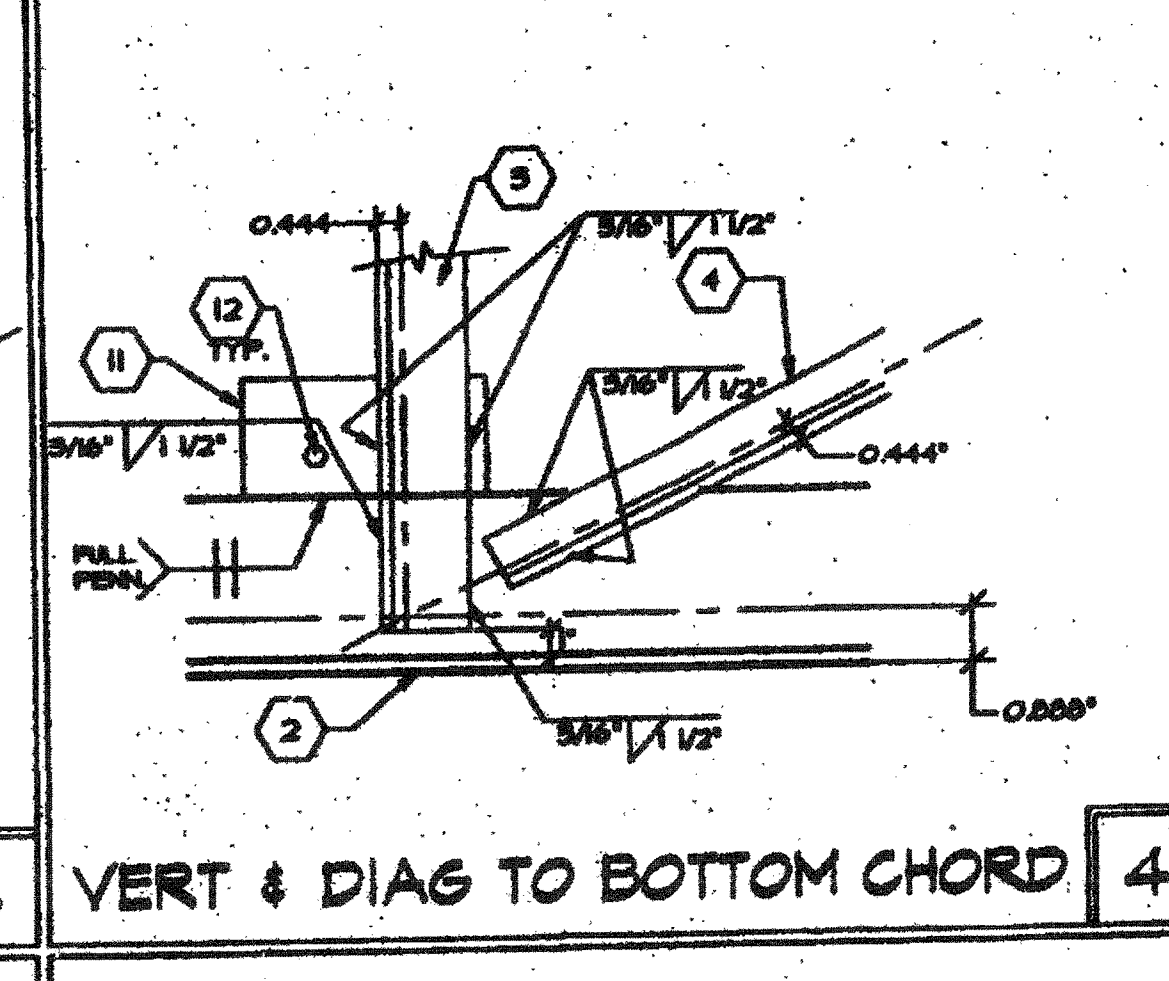
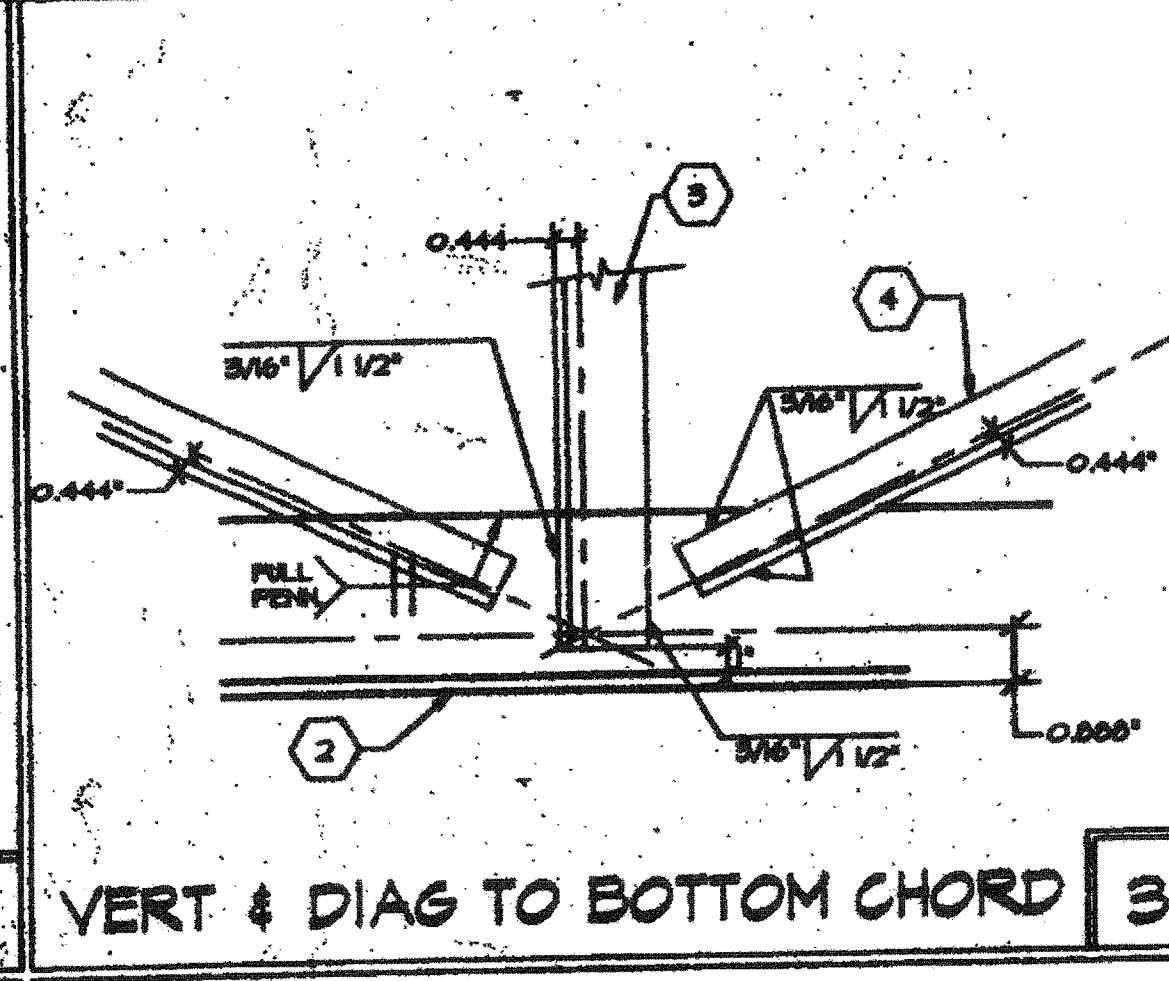
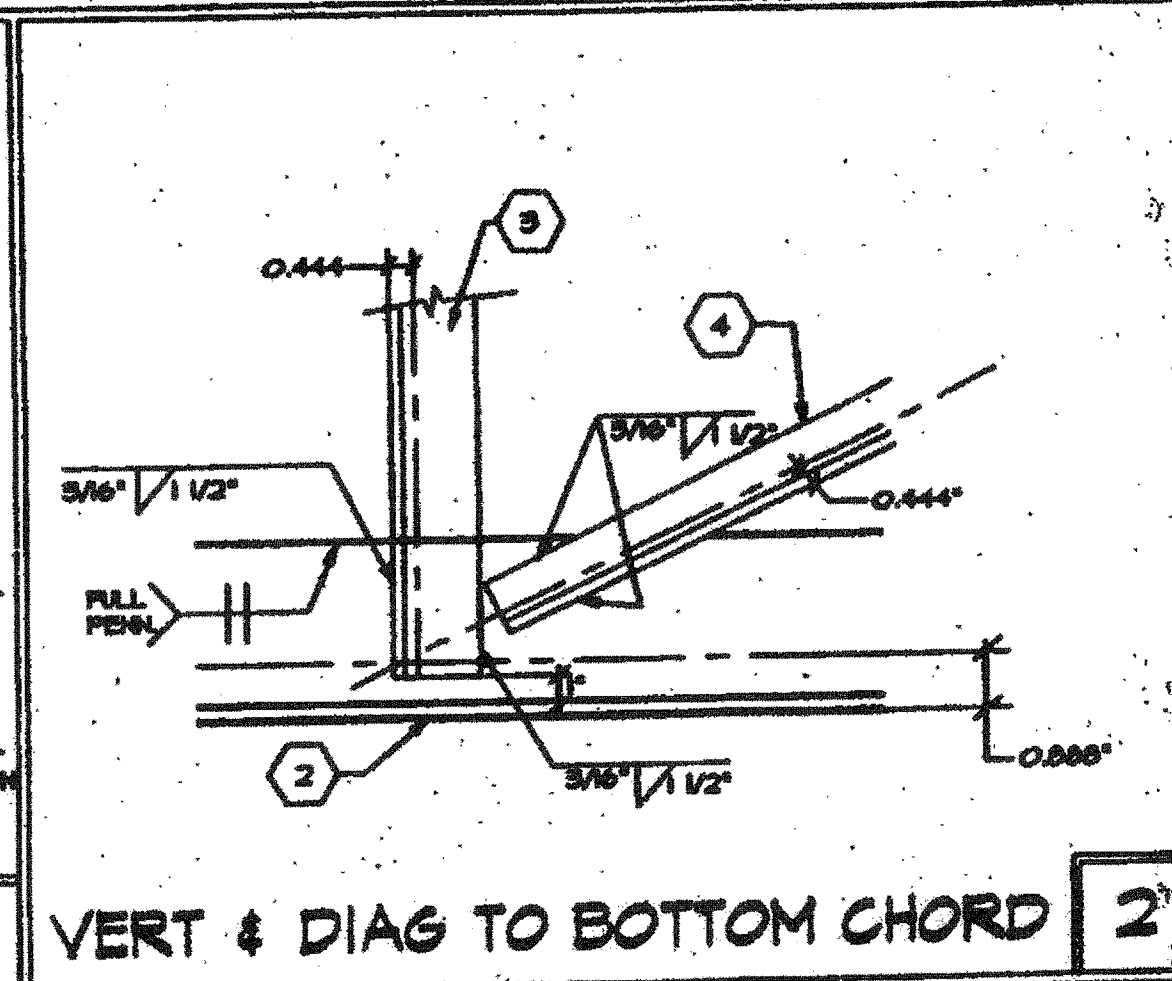
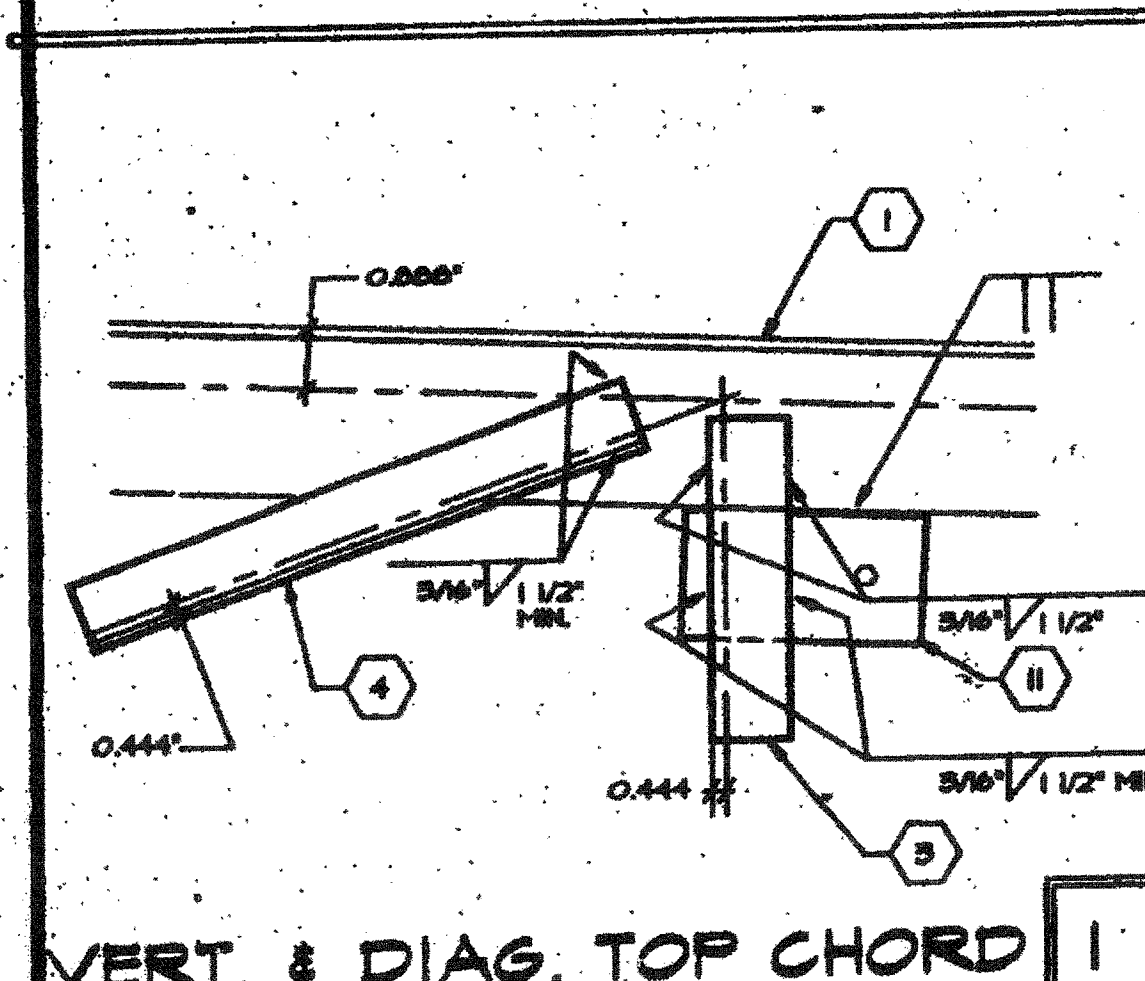


- KEYNOTES**
- 2x 5/8x5/8" TOP CHORD.
 - 2x 5/8x5/8" 1/2" CHAMFER AT MIDPOINT.
 - 2x 1 1/2x 1 1/2x 5/8" VERTICAL MEMBER.
 - 2x 1 1/2x 1 1/2x 5/8" DIAGONAL MEMBER TYP.
 - NOT USED.
 - NOT USED.
 - 1/4" GAP PLATE.
 - TS 3/4x 3/4x 3/4" STEEL TUBE @ 10' C.
 - TS 3/4x 3/4x 3/4" STEEL TUBE @ 30' C.
 - TS 4" x 4" x 1/4" ALTERNATE TUBE STEEL, USE WITH PARAPET AND HVAC SCREEN OPTION.
 - 5/8x5/8 1/2" PLATE WITH 1/4" HOLE FOR 5/8" MACHINE BOLT. LOCATE PLATES @ 8'-0" O.C. FOR MODULE CONNECTION. SEE DETAIL 8.
 - 5/8" MACHINE BOLT FOR MODULE CONNECTION.
 - NOT USED.
 - TS COLUMN OR BRG COLUMN. SEE NOTES 8, 9, 10.
 - ROOF JOIST - SEE NOTE 3 SHEET 841.
 - 1 1/2x 1 1/2x 5/8" BRACE @ 8'-0" O.C.
 - 2x 2x 2x 1/4" END DIAGONAL W/ MIN. 4" OF 5/8" FILLET WELD EACH END @ 30' C.
 - 5/8" PLATE FITTED INSIDE TUBE COL. & WELDED IN PLACE TO COLUMN W/ 5/8" FILLET WELD TWO SIDES.
 - 2x 1 1/2x 1 1/2x 5/8" DIAGONAL W/ MIN. 4" OF 5/8" FILLET WELD EA. END @ 10' C.
 - TS 4.8 LB PER LINEAR FOOT FLOOR FRAME.
 - 5/8" MACHINE BOLT @ MOD. CONNECTION SEE DETAIL 10 SHEET 86.0 OR 86.1.



D.S.A.

IDENTIFICATION STAMP
DIV. OF THE STATE ARCHITECT
APP03-116970
AC - FLS - SS PCL
Date - MAY 9 2018

CBC 1998

PC

D.S.A.

PORTION 1

STRUCT. ENGINEER

ARCHITECT

TURORA MODULAR INDUSTRIES

10000 Westpark Dr., Newark, NJ 07102
Tel: (973) 261-2111
Fax: (973) 261-2112

MONO SLOPE STEEL TRUSS SECTION AND DETAILS

SHEET 55