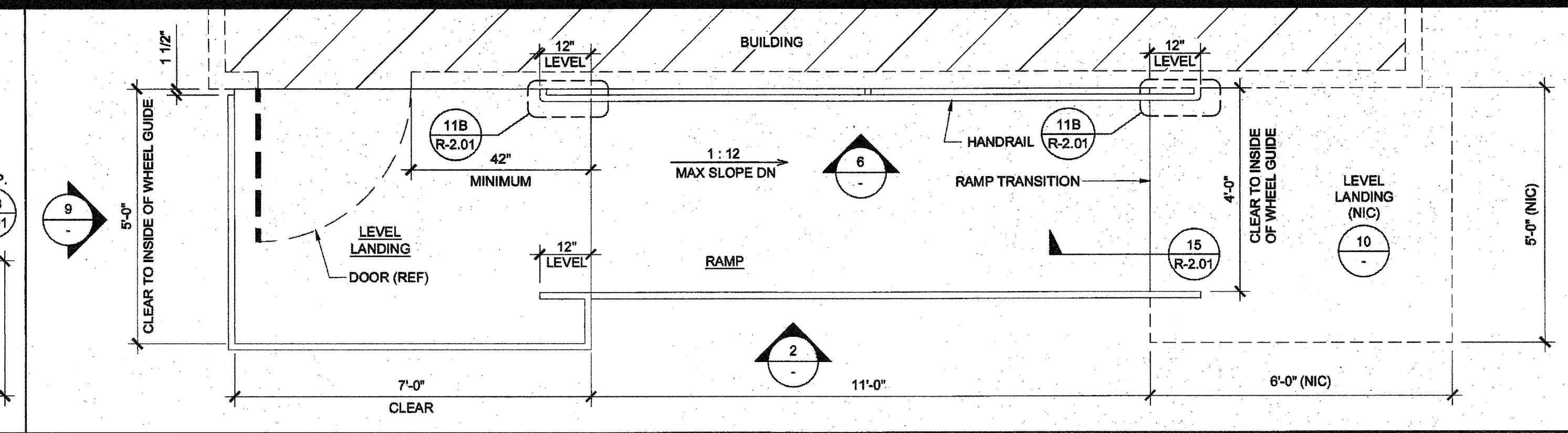
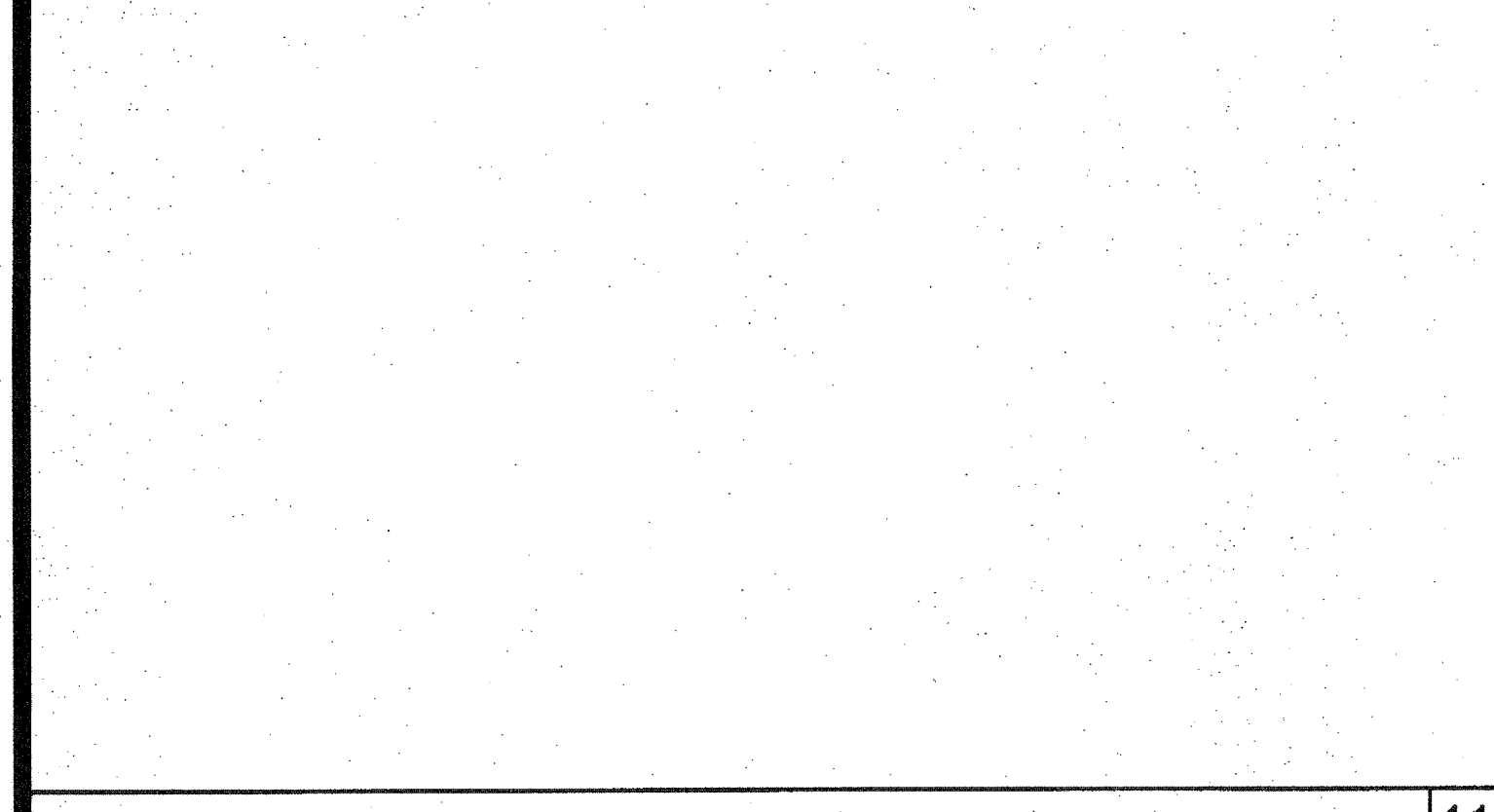


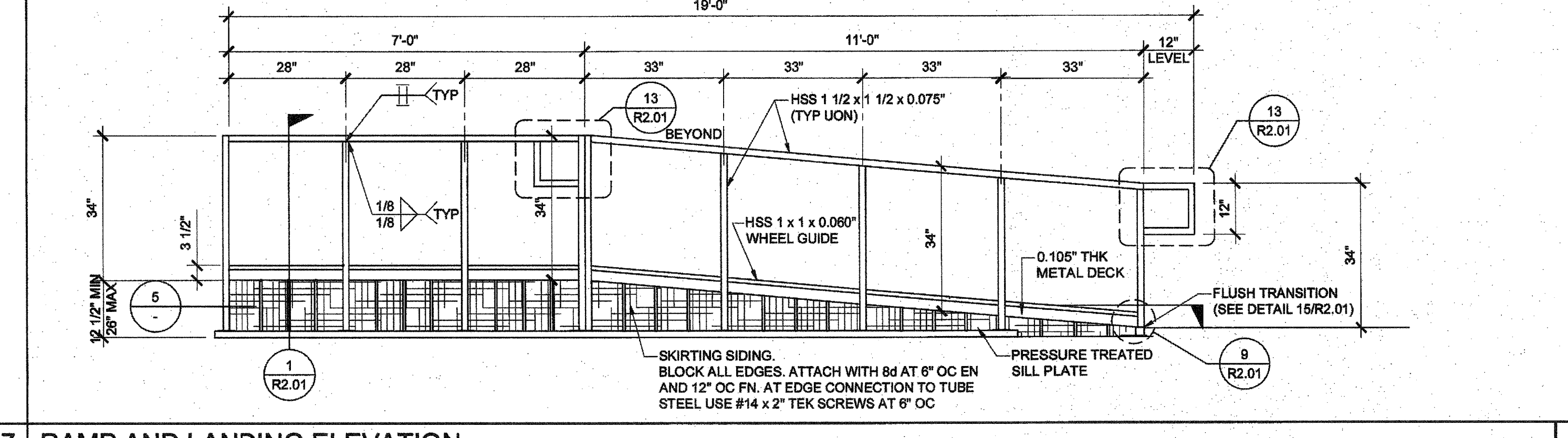
6 HANDRAIL ATTACHMENT TO BUILDING SCALE: 1/2" = 1'-0"



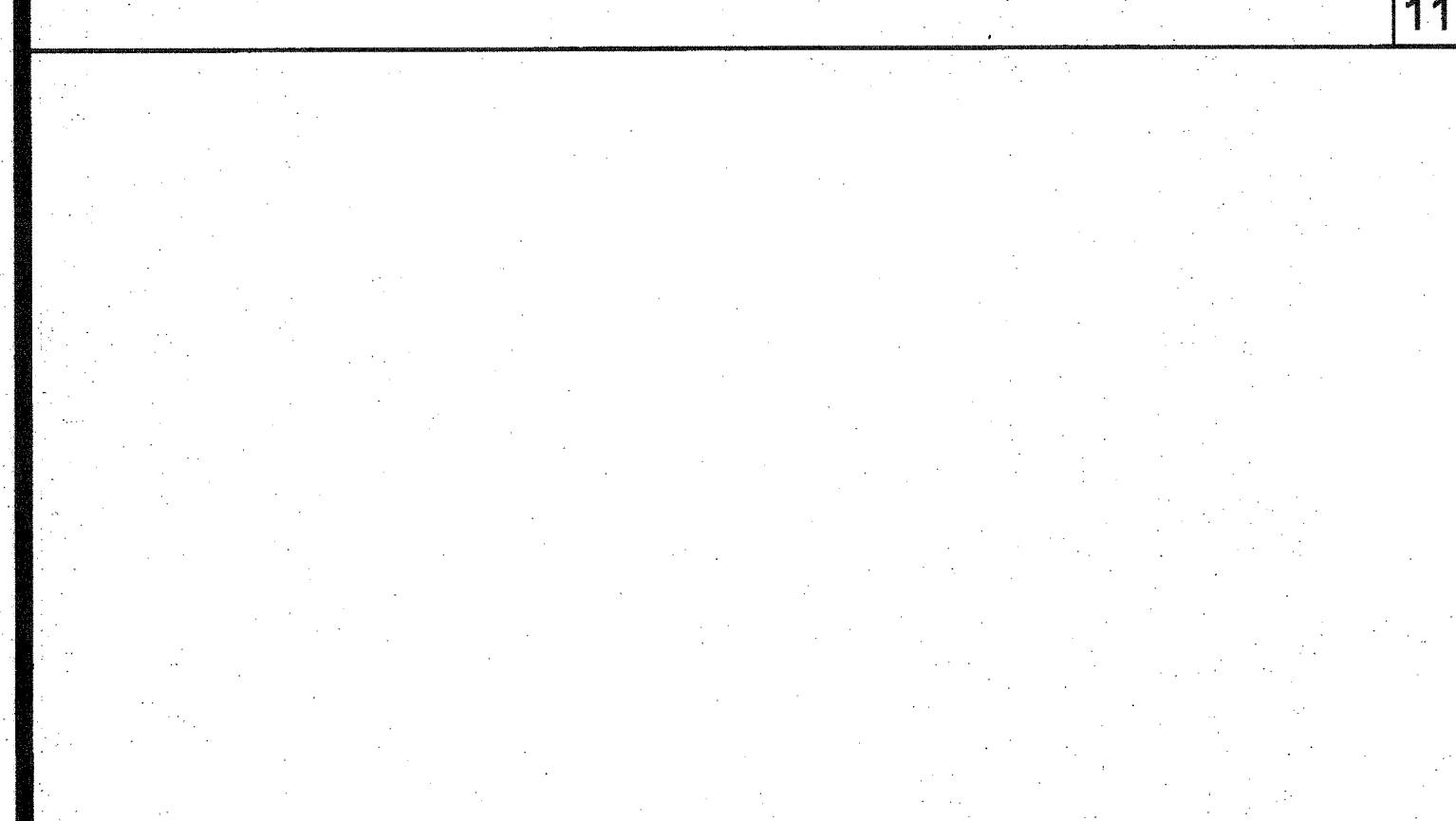
7 RAMP AND LANDING AT BUILDING SCALE: 1/2" = 1'-0"



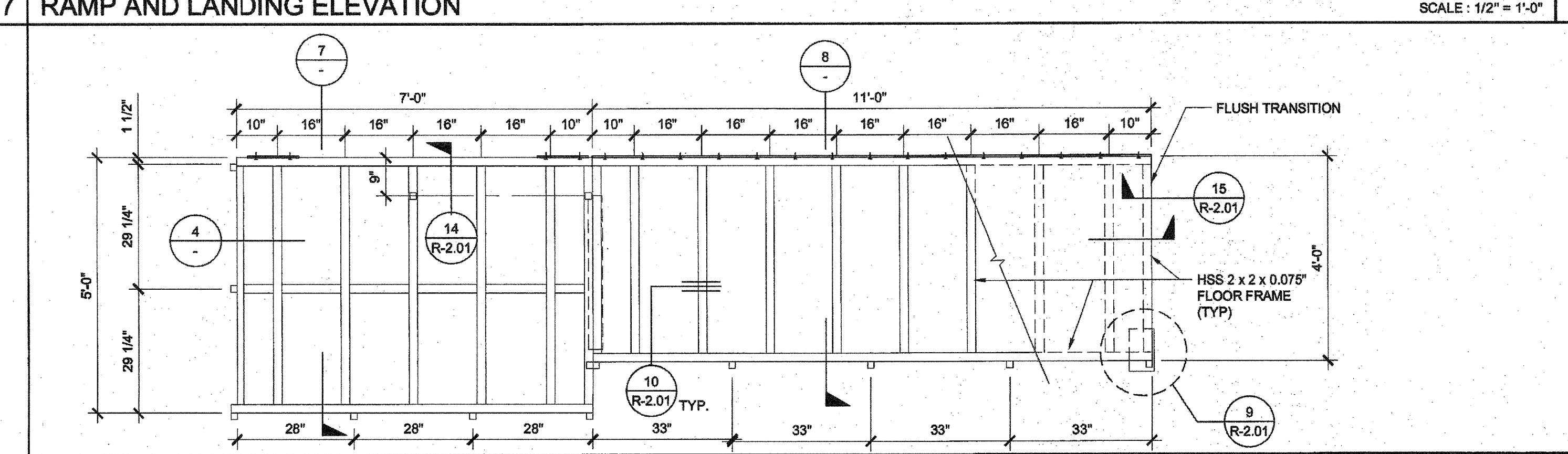
11 SECTION AT LANDING SCALE: 1/2" = 1'-0"



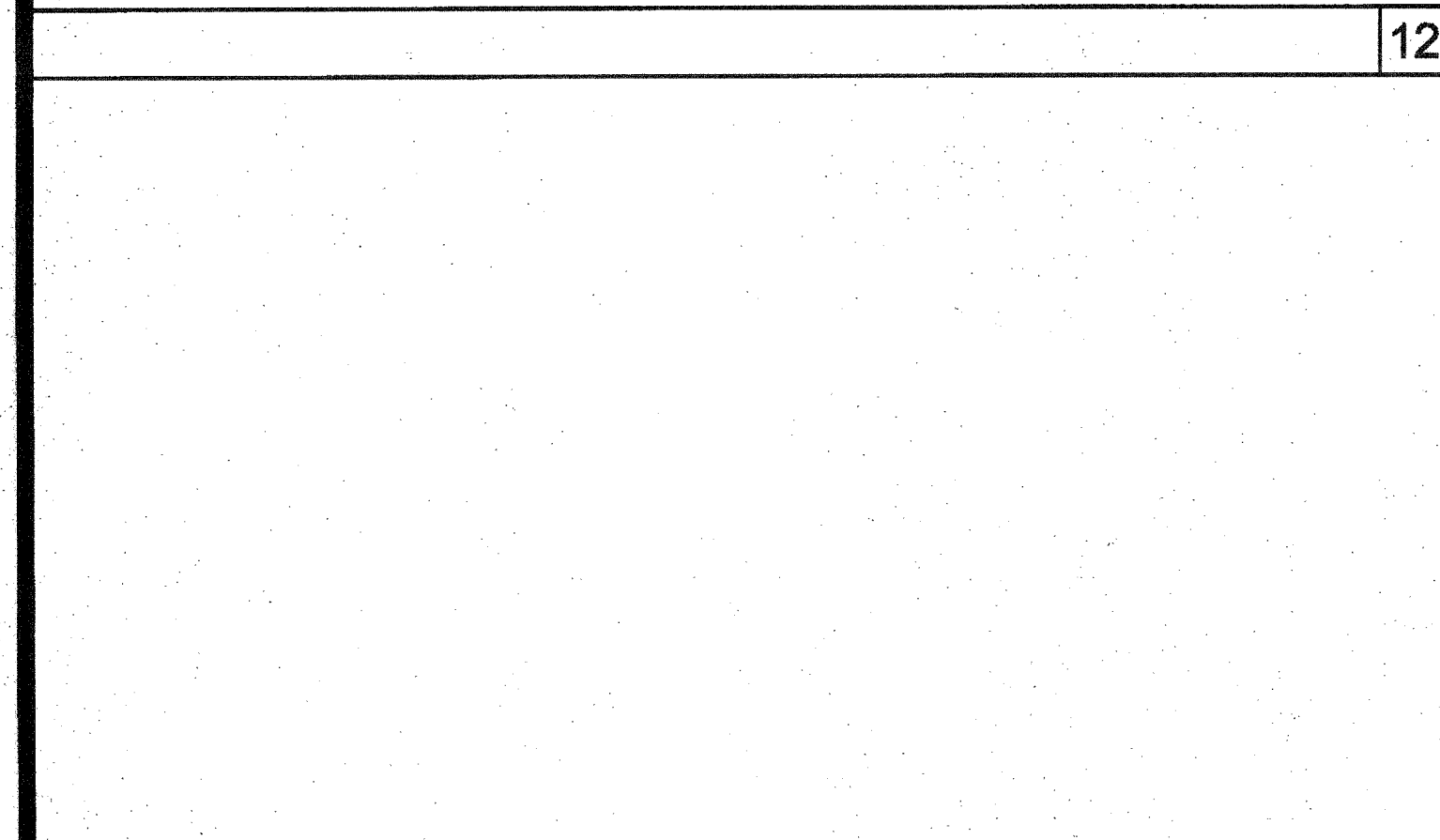
2 RAMP AND LANDING ELEVATION SCALE: 1/2" = 1'-0"



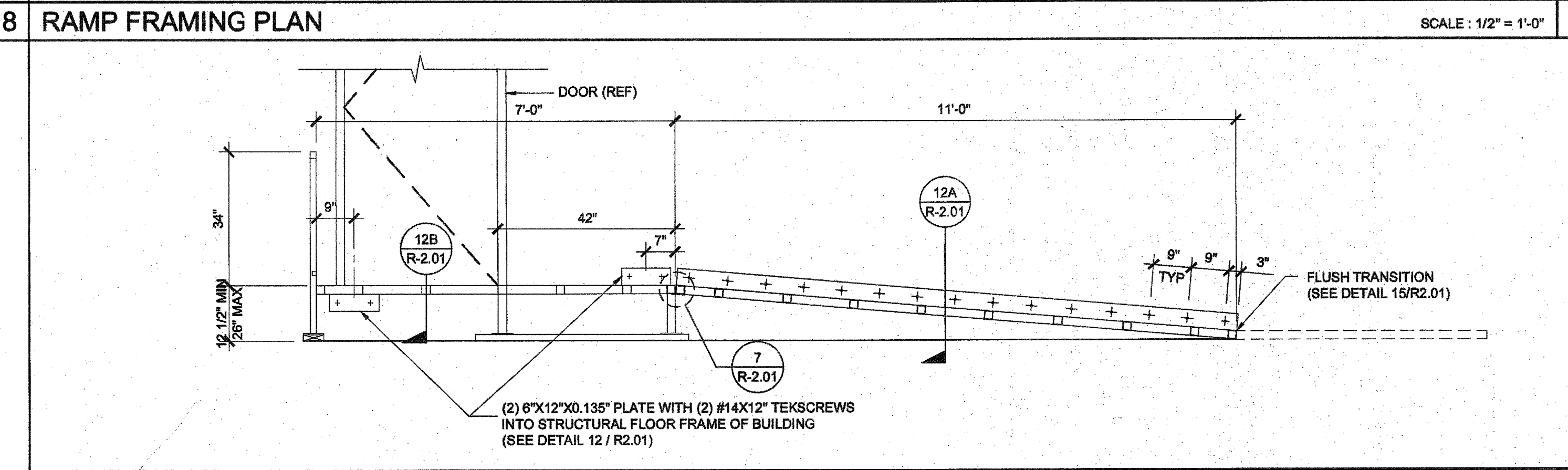
12 SECTION AT RAMP SCALE: 1/2" = 1'-0"



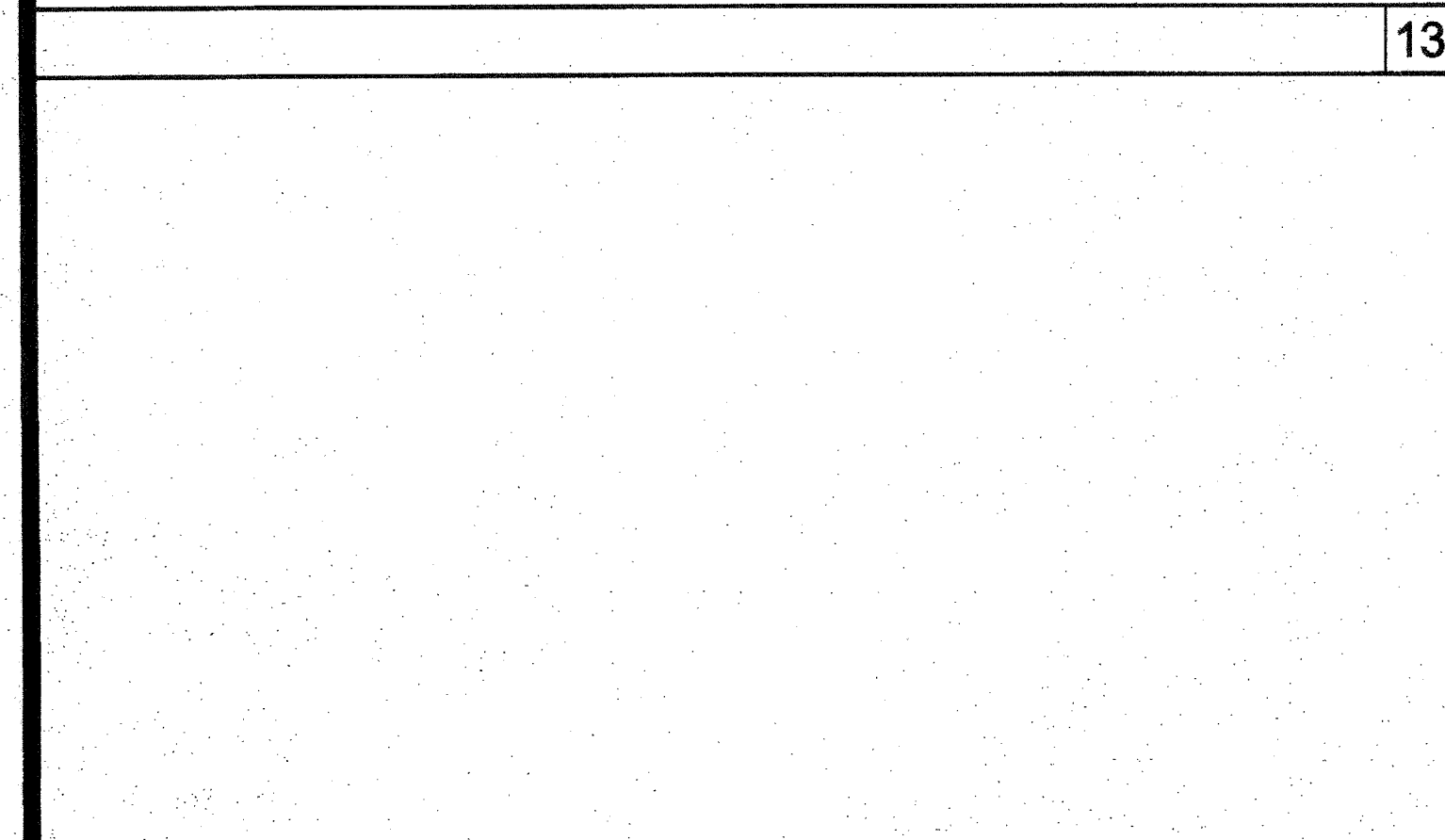
3 RAMP FRAMING PLAN SCALE: 1/2" = 1'-0"



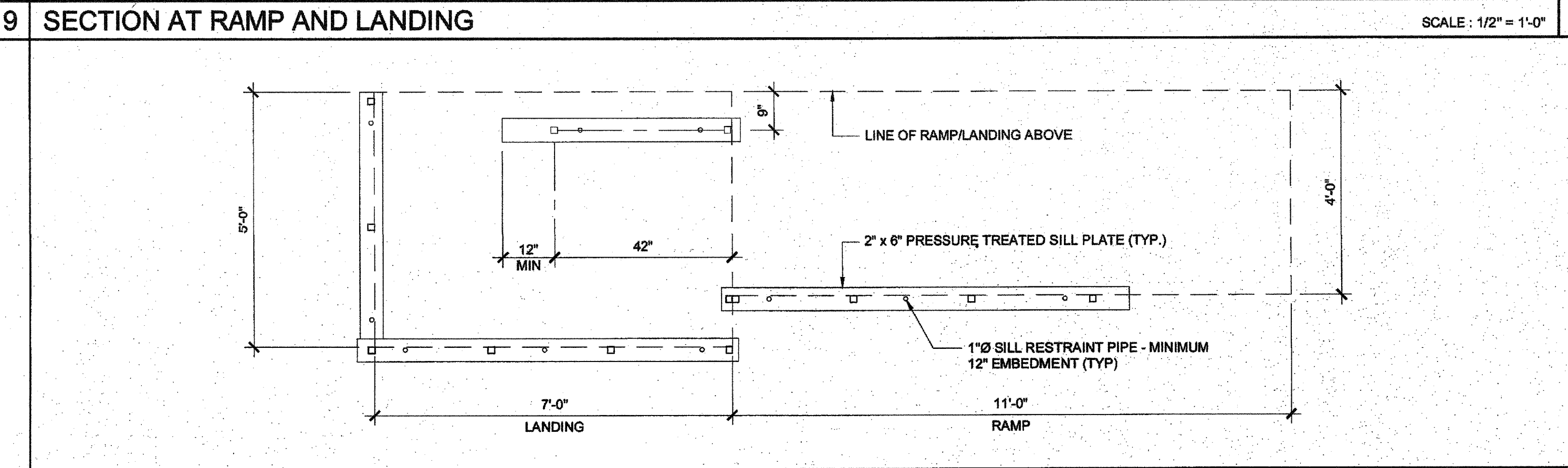
13 LANDING ELEVATION SCALE: 1/2" = 1'-0"



4 SECTION AT RAMP AND LANDING SCALE: 1/2" = 1'-0"



14 RAMP TRANSITION SCALE: NTS



5 SILL PLAN FOR RAMP AND LANDING SCALE: 1/2" = 1'-0"

THESE DRAWINGS AND ALL MATERIAL CONTAINED HEREIN ARE THE PROPERTY OF SILVER CREEK INDUSTRIES, INC (SCI Inc) AND SHALL NOT BE REPRODUCED, COPIED OR OTHERWISE DISPOSED OF DIRECTLY OR INDIRECTLY AND SHALL NOT BE USED IN WHOLE OR IN PART TO ASSIST IN THE MAKING OF OR FOR THE PURPOSE OF FURNISHING ANY INFORMATION FOR THE MAKING OF DRAWINGS, PRINTS, APPARATUS OR PARTS THEREOF WITHOUT THE FULL KNOWLEDGE AND WRITTEN CONSENT OF SCI Inc. ALL PATENTABLE MATERIAL CONTAINED HEREIN AND ORIGINATING WITH SCI Inc SHALL BE THE PROPERTY OF SCI Inc.

**SILVER CREEK INDUSTRIES, INC.**  
  
 "BUILDING FOR THE NEXT GENERATION"  
**SILVER CREEK**  
 2830 BARRETT AVE, PERRIS, CALIFORNIA 92571  
 PHONE: 951-943-5393 FAX: 951-943-2211

PROJECT NAME:  
 SHEET TITLE:

**RAMP LANDING**

ARCHITECT OF RECORD  
 SUBMISSION DATE

PROJECT SPECIFIC STATE AGENCY APPROVAL  
 IDENTIFICATION STAMP  
 DIV. OF THE STATE ARCHITECT  
 APP03 116978  
 AC *[Signature]* - SS *[Signature]*  
 Date: MAY 03 2015

ORIGINAL PC STATE AGENCY APPROVAL  
 IDENTIFICATION STAMP  
 OFFICE OF REGULATION SERVICES  
 PC 04-113886  
 AC *[Signature]* - SS *[Signature]*  
 DATE: FEB 03 2015

REVISIONS


SILVER CREEK INDUSTRIES  
 24' x 40' PC  
 PROJECT NO:  
 DRAWN BY:  
 SCALE: AS NOTED  
 DATE: 08-10-14  
 P.C. SHEET NUMBER

**R-1.01**