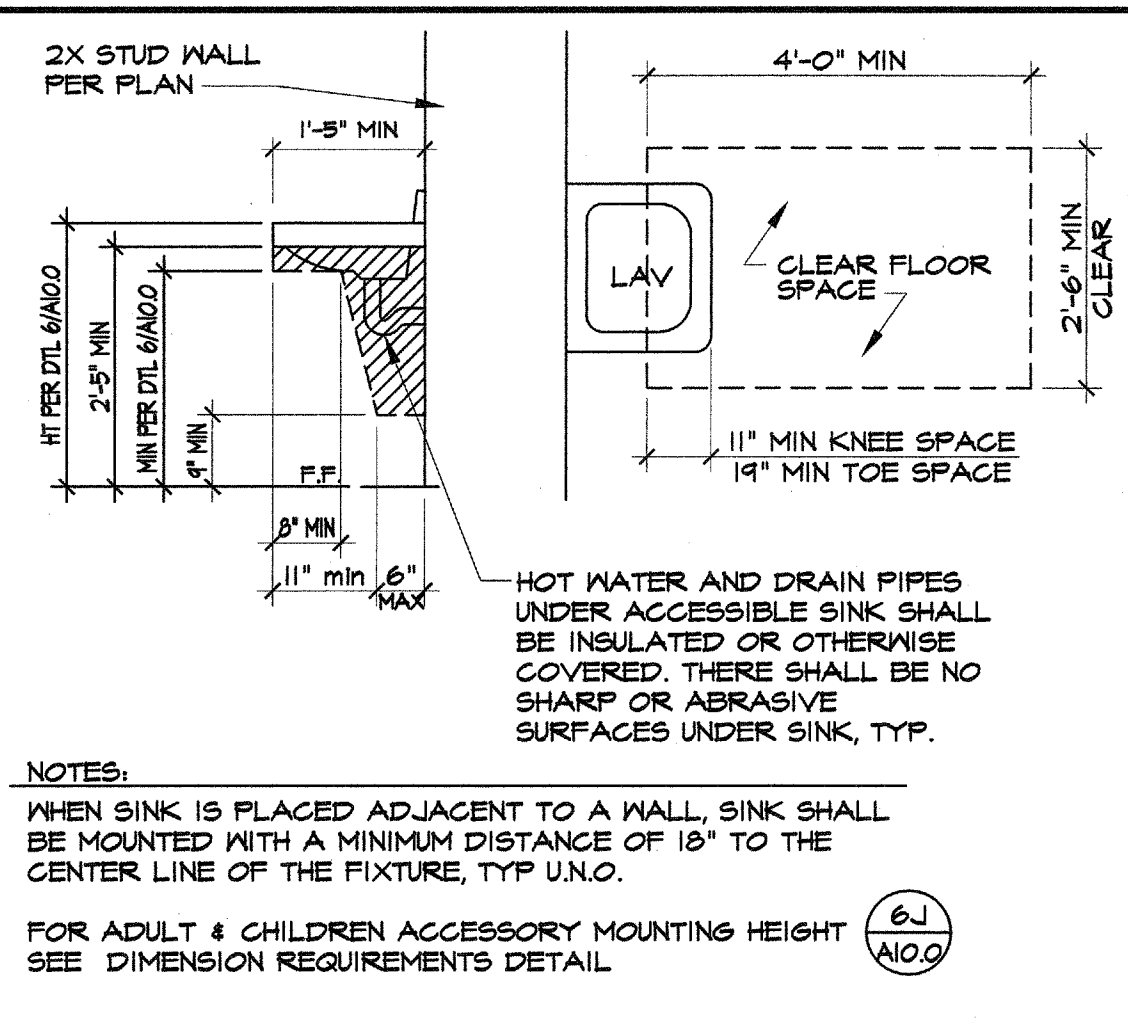
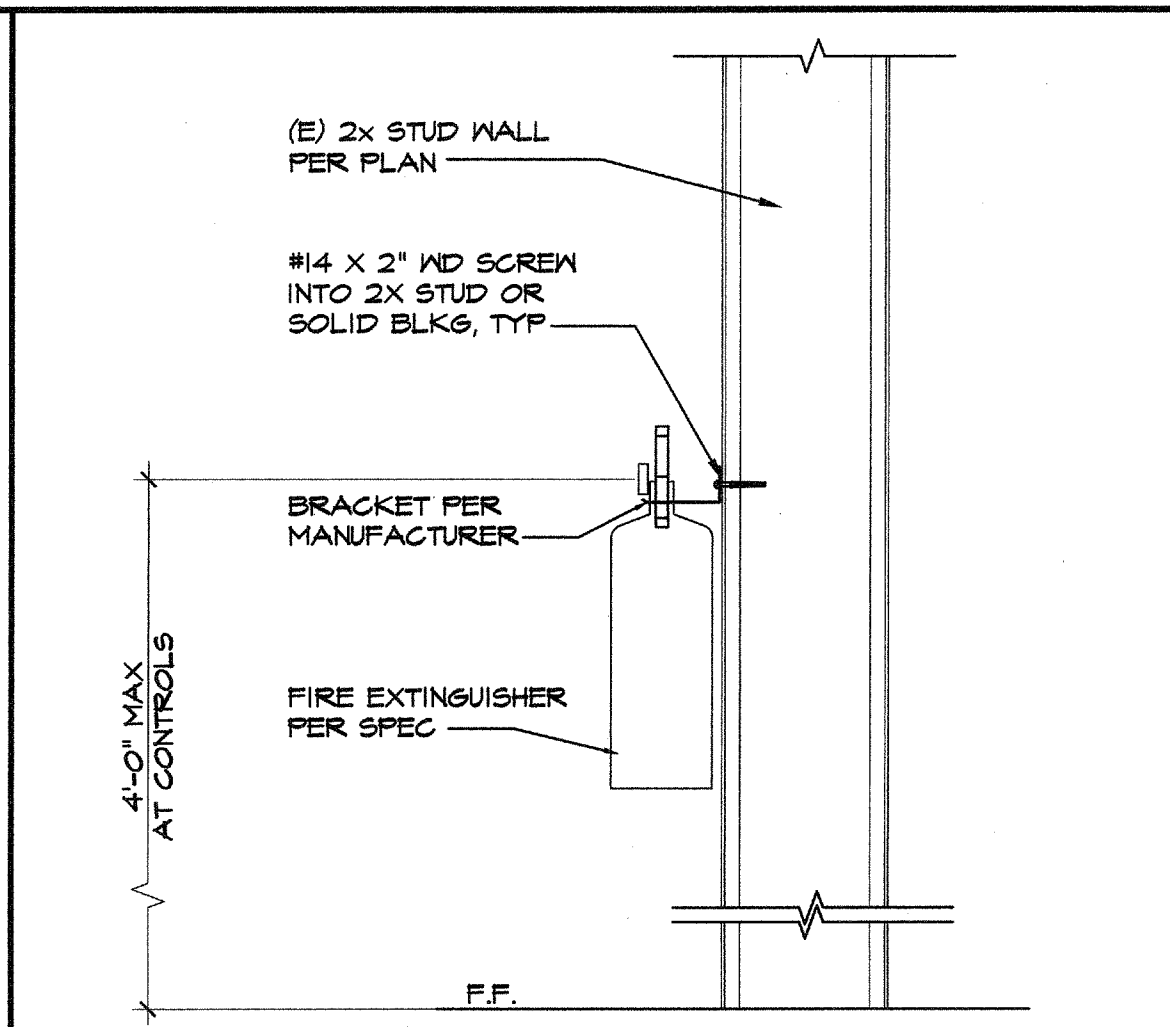


1 TYPICAL TOILET ACCESSORIES MOUNTING HEIGHTS SCALE: 1/2" = 1'-0"



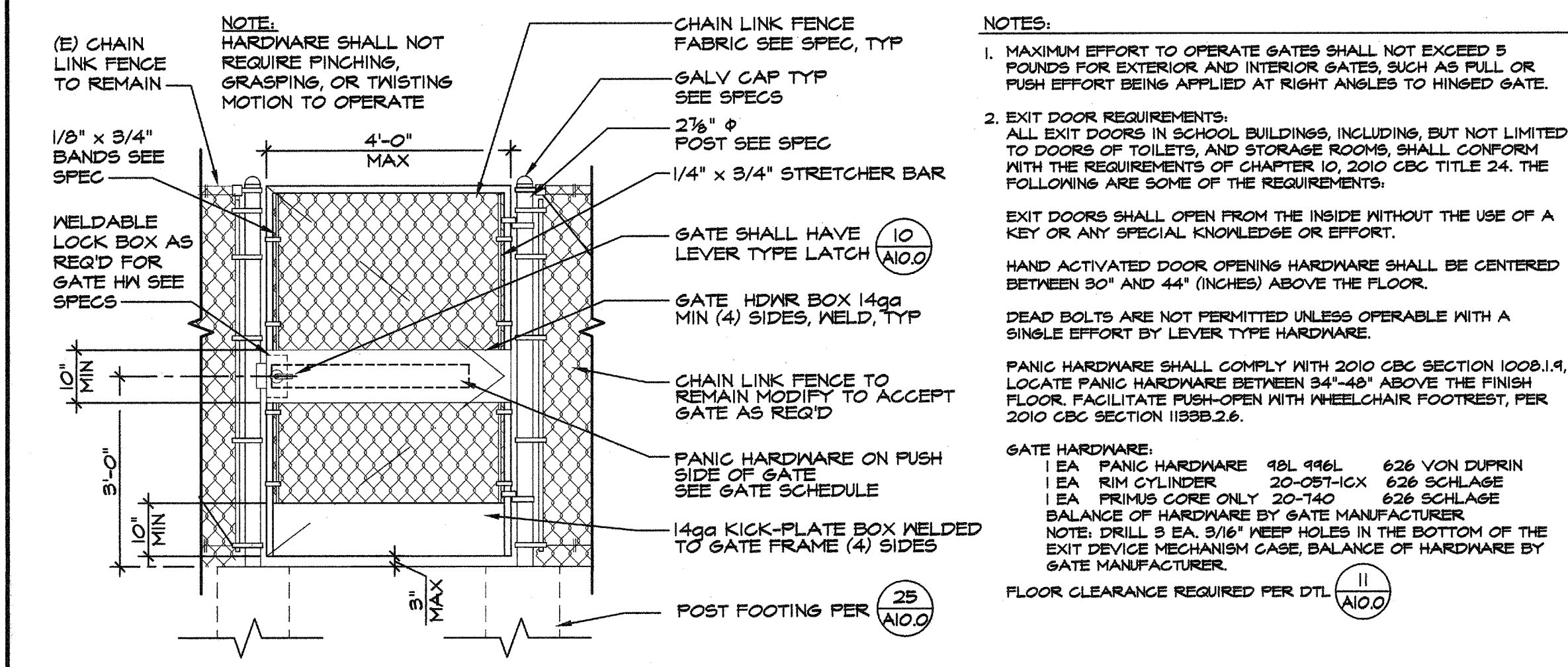
4 LAV REQUIREMENTS SCALE: 1/2" = 1'-0"



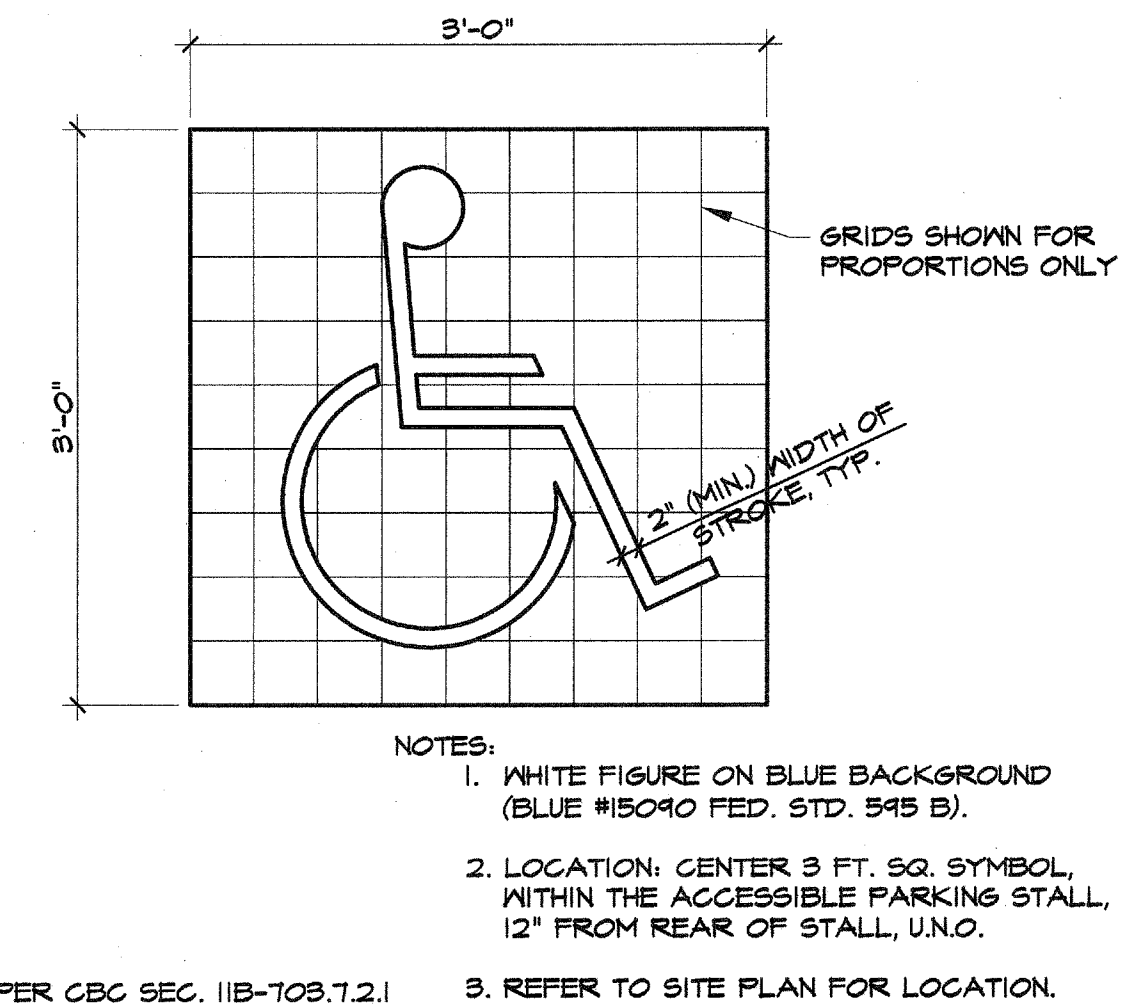
5 FIRE EXTINGUISHER MOUNTING SCALE: NTS

ITEM NO.	DESCRIPTION	RECOMMENDED DIMENSIONS FOR ELEMENTARY TOILET FACILITIES (INCHES)	ADULT (INCHES)
A	TOILET CENTERING FROM WALL	12"-15"	17"-18"
B	TOILET SEAT HEIGHT FF. TO TOP OF SEAT	12"-15"	17"-19"
C	GRAB BAR HEIGHT	20"-25"	25"-27"
D	TOILET PAPER IN FRONT OF TOILET	7"-9" MAX	7"-9" MAX
E	TOILET PAPER DISPENSER HEIGHT	14"-17"	14" MIN
F	NAPKIN DISPOSAL IN FRONT OF TOILET	N/A	12" MAX
G	ACCESSORIES DISPENSER CONTROLS	32" MAX	36" MAX
H	BOTTOM OF MIRROR MAX HT ABV FF.	32"	32" WALL MTD 36" COUNTER 40" COUNTER
J	LAVATORY/SINK TOP HEIGHT	31" MAX	31" MAX
K	LAVATORY/SINK KNEE CLEARANCE	24" MIN	24" MIN
L	LAVATORY/SINK DEPTH	4 1/2" MAX	6 1/2" MAX
M	URINAL LIP HEIGHT	13" MAX	15" MAX
N	URINAL FLUSH HANDLE HEIGHT	32" MAX	37" MAX
O	DRINKING FOUNTAIN BUBBLER HEIGHT	30" MAX	30" MAX
Q	DRINKING FOUNTAIN KNEE CLEARANCE	24" MIN	24" MIN
R	RAMP/STAIR HANDRAIL HEIGHT	28" MAX	28" MAX

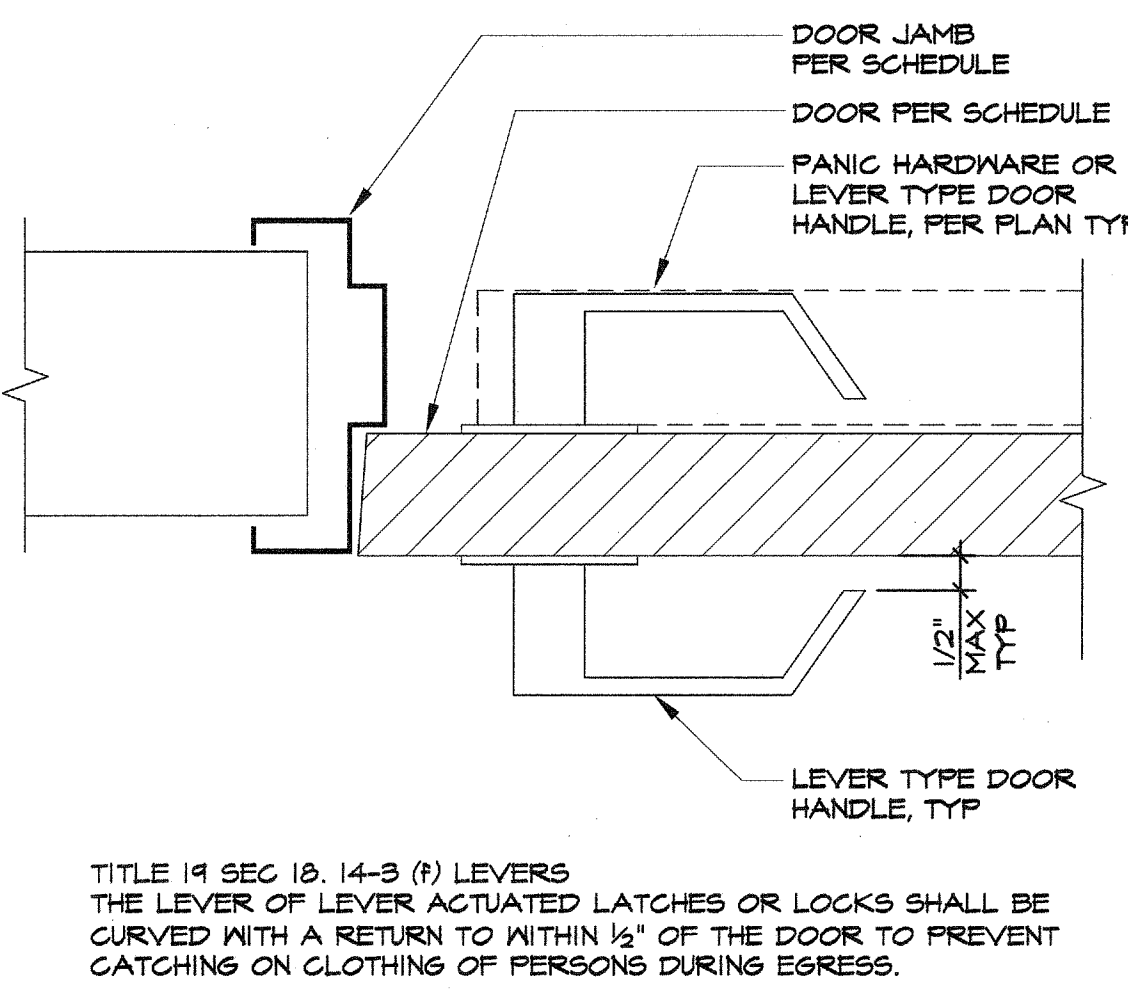
6 DIMENSION REQUIREMENTS SCALE: NTS



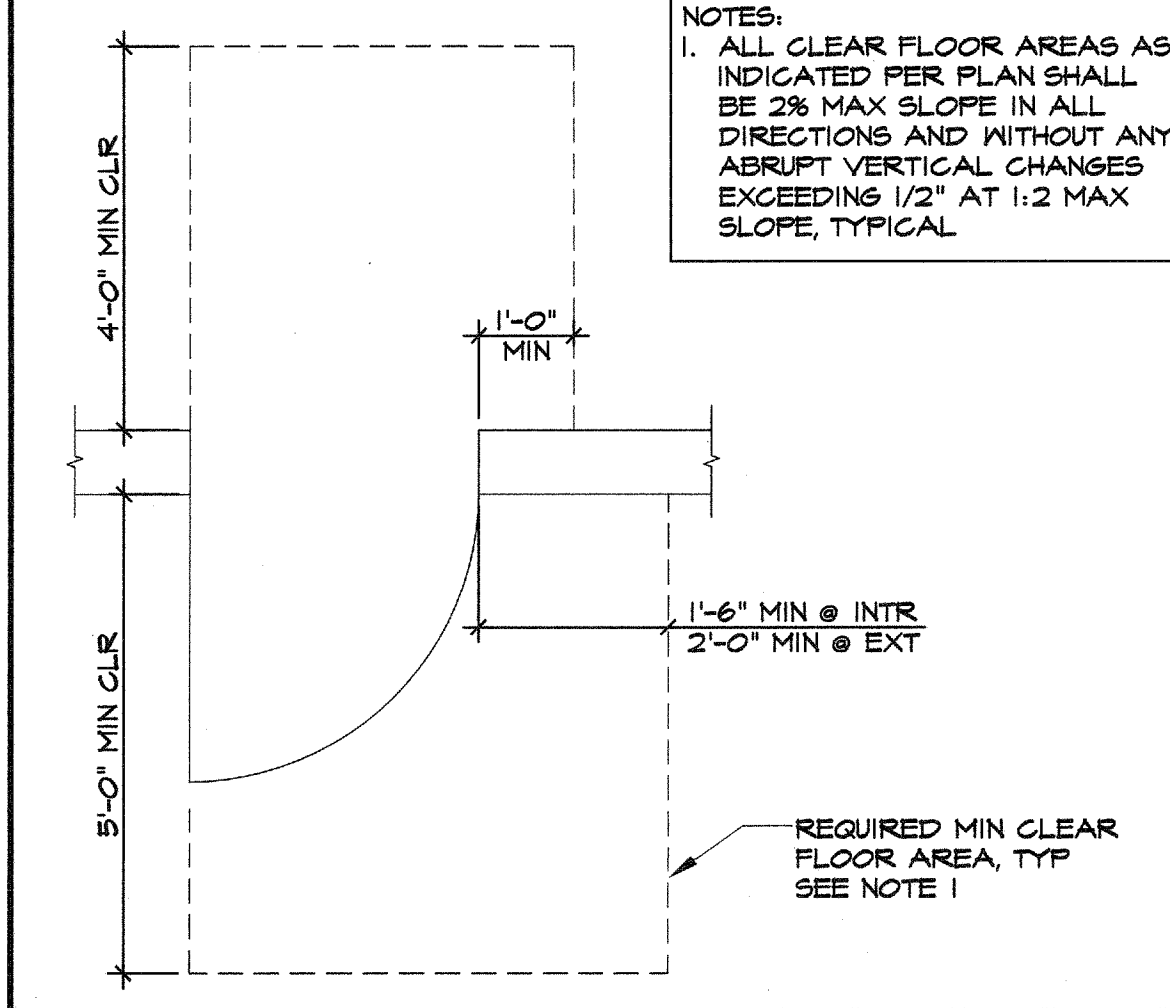
7 ACCESSIBLE CHAIN LINK GATE SCALE: 1/2" = 1'-0"



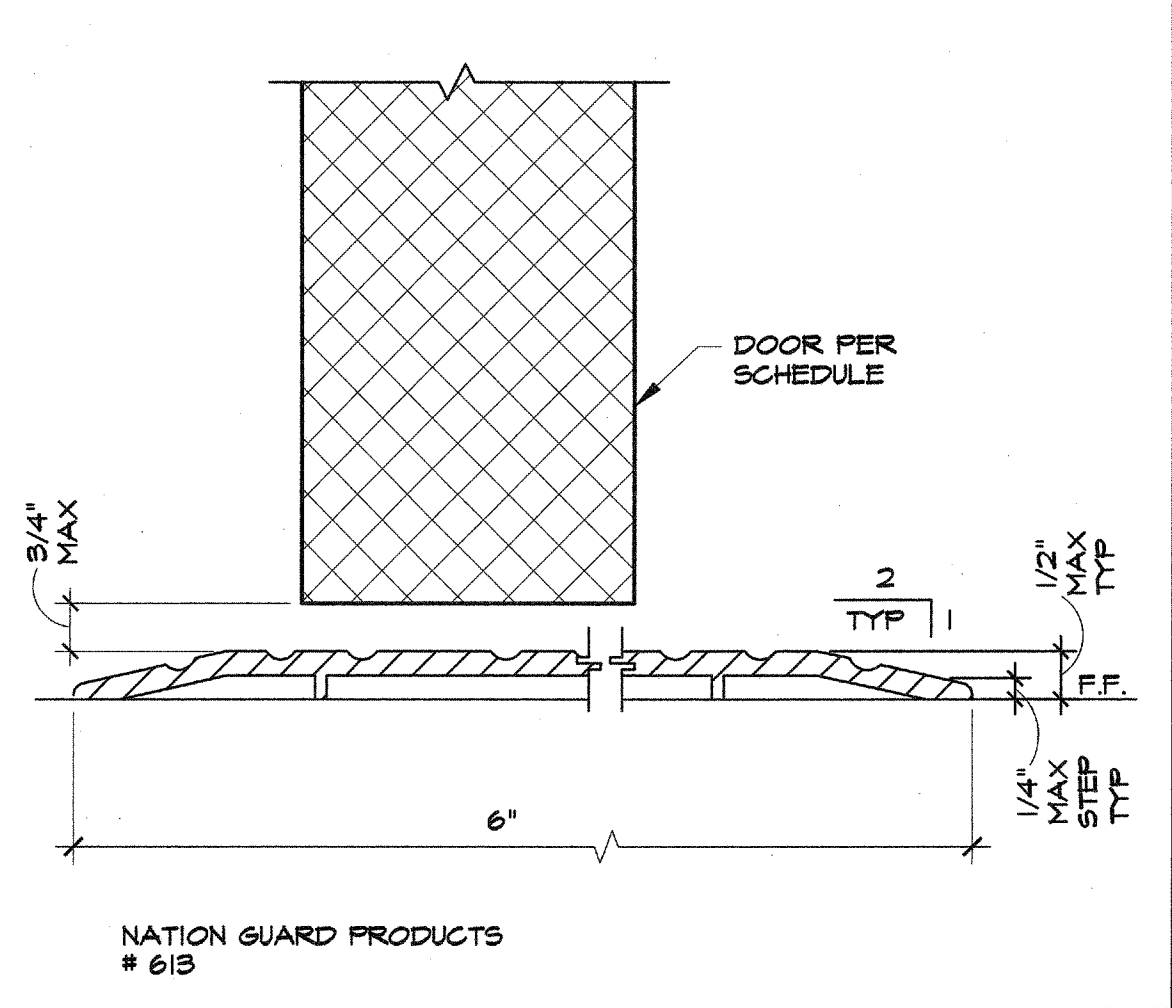
9 ACC SYMBOL PROPORTIONS SCALE: NTS



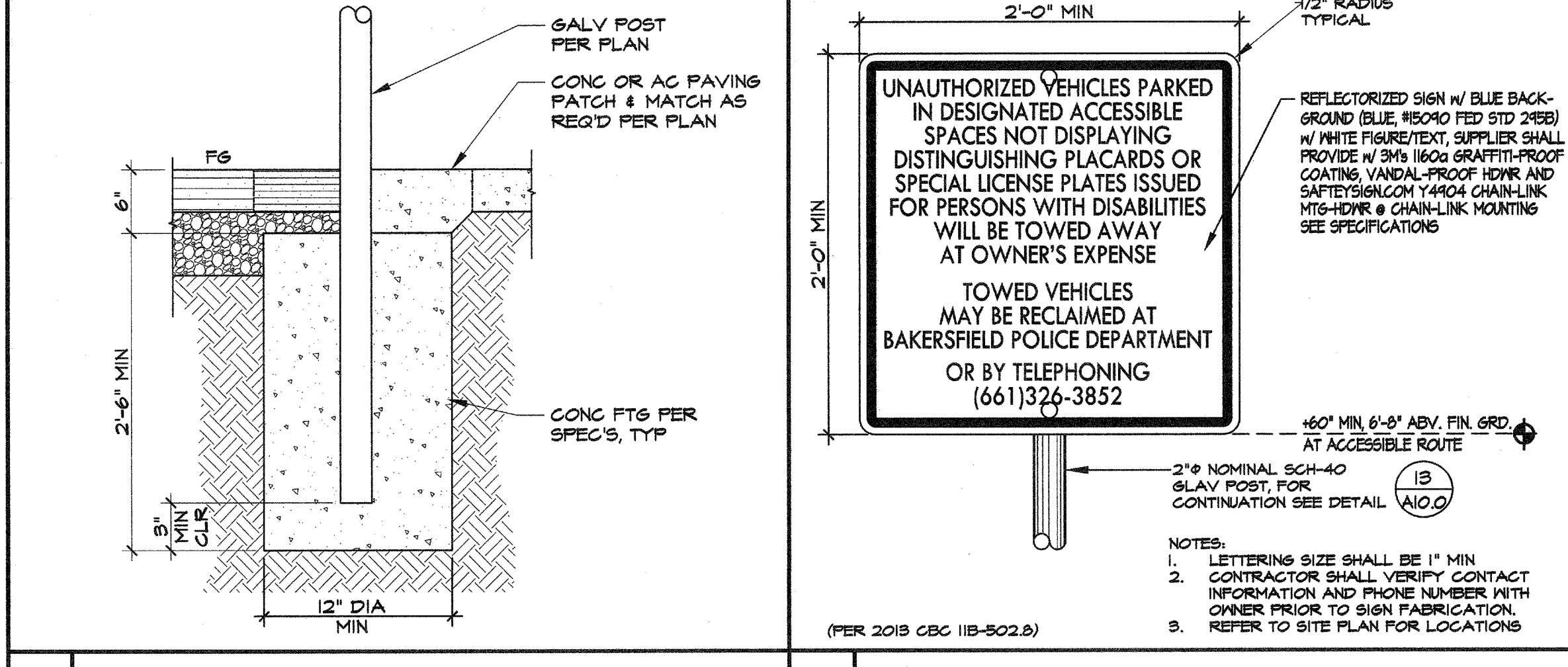
10 DOOR/GATE LEVER SCALE: NTS



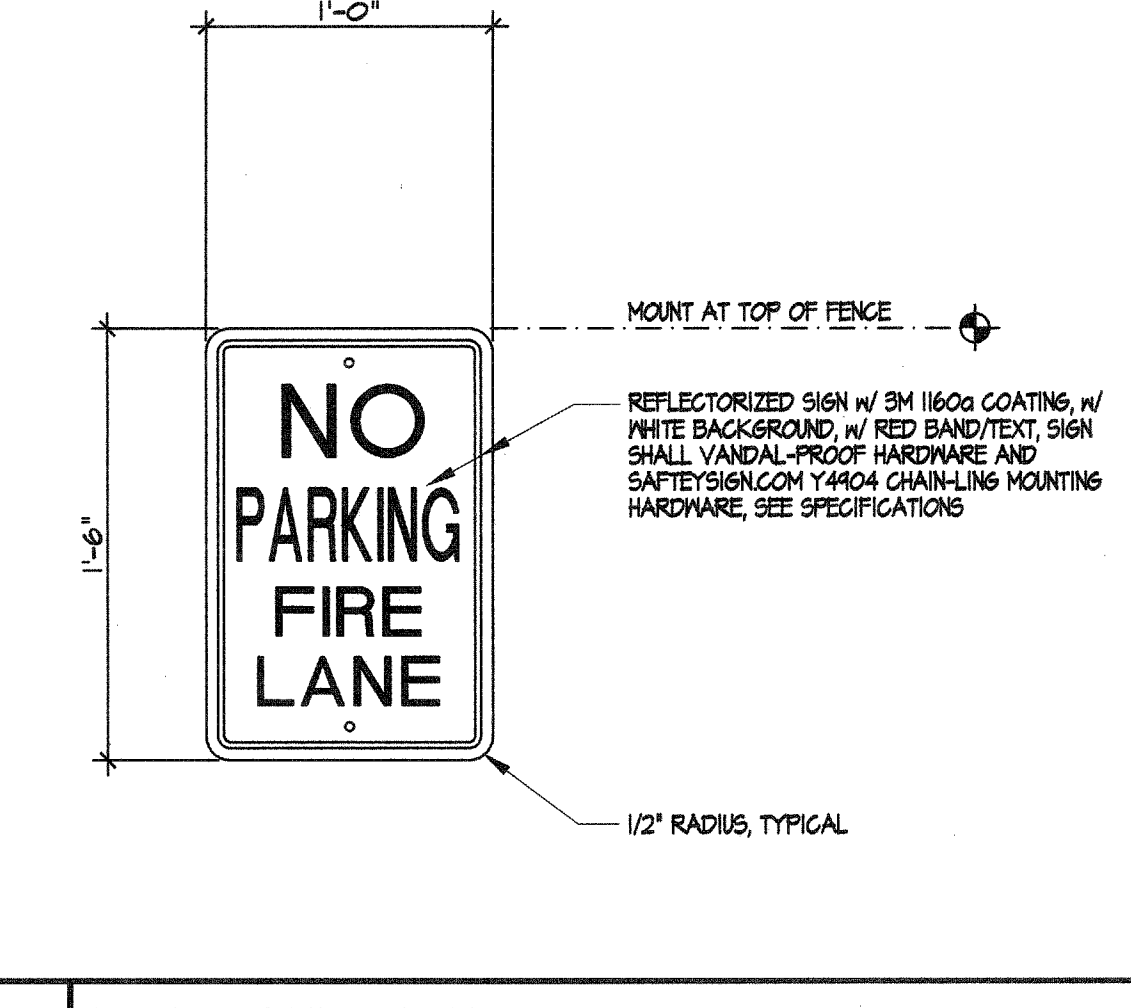
11 REQ'D FLOOR CLEARANCES SCALE: NTS



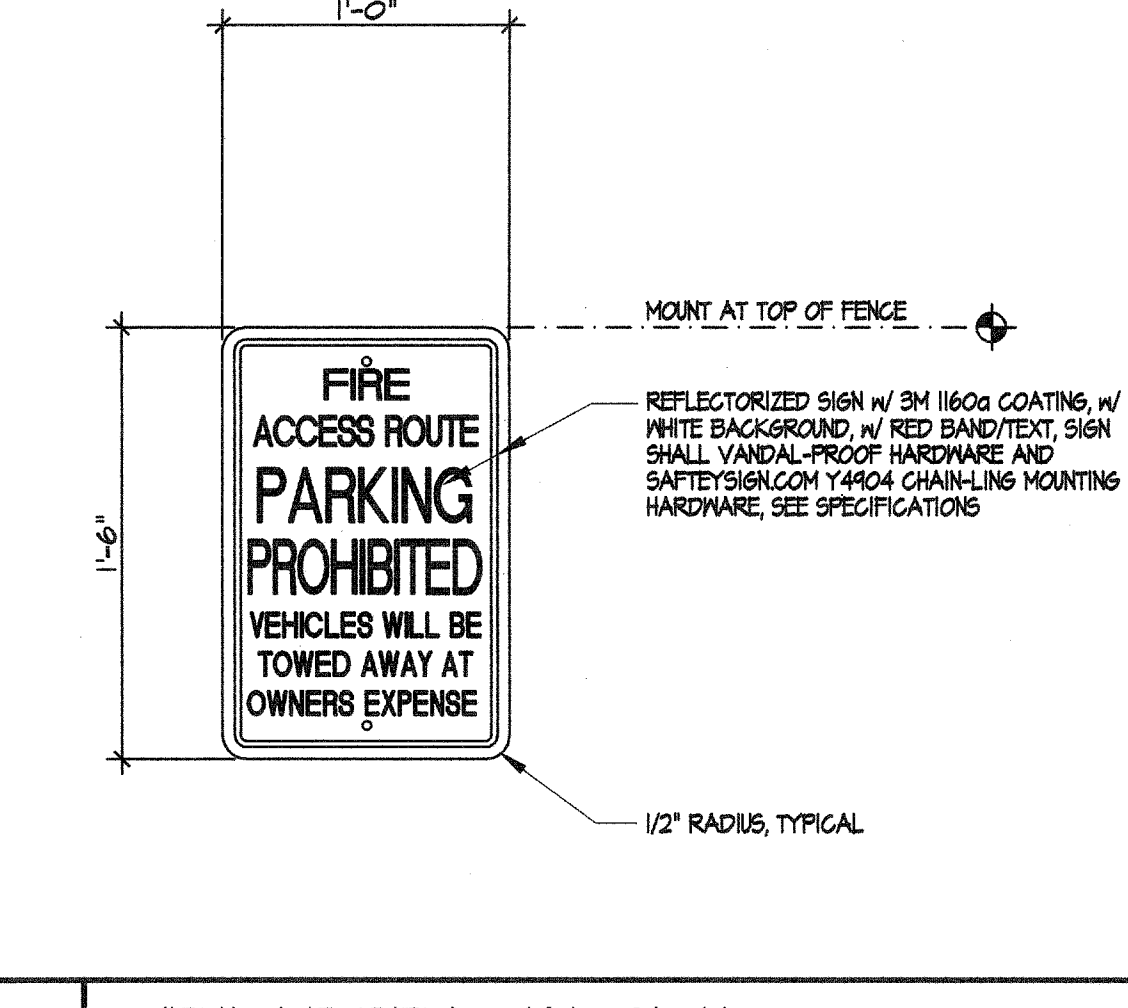
12 THRESHOLD SCALE: NTS



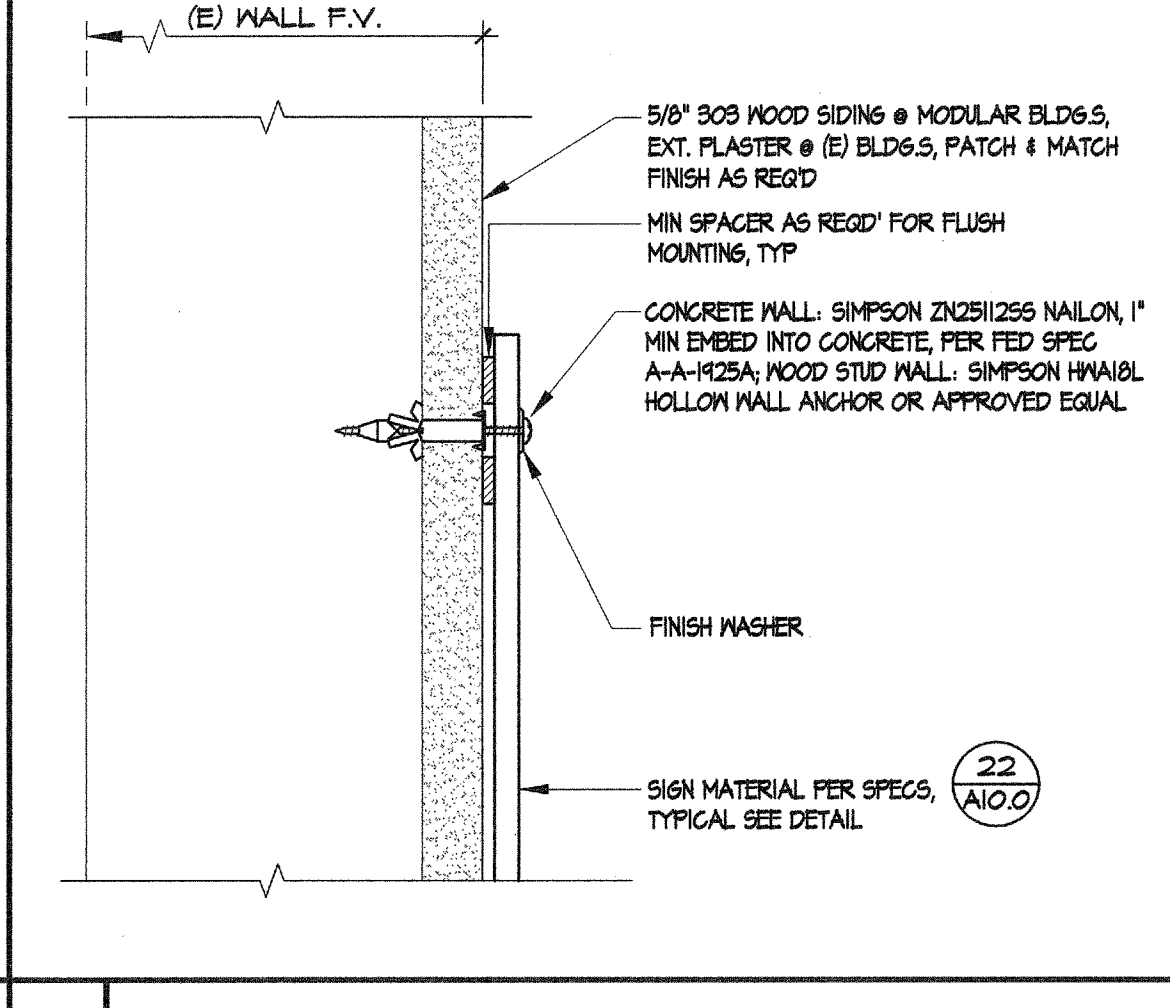
13 SIGN POST FTG DETAIL SCALE: NTS



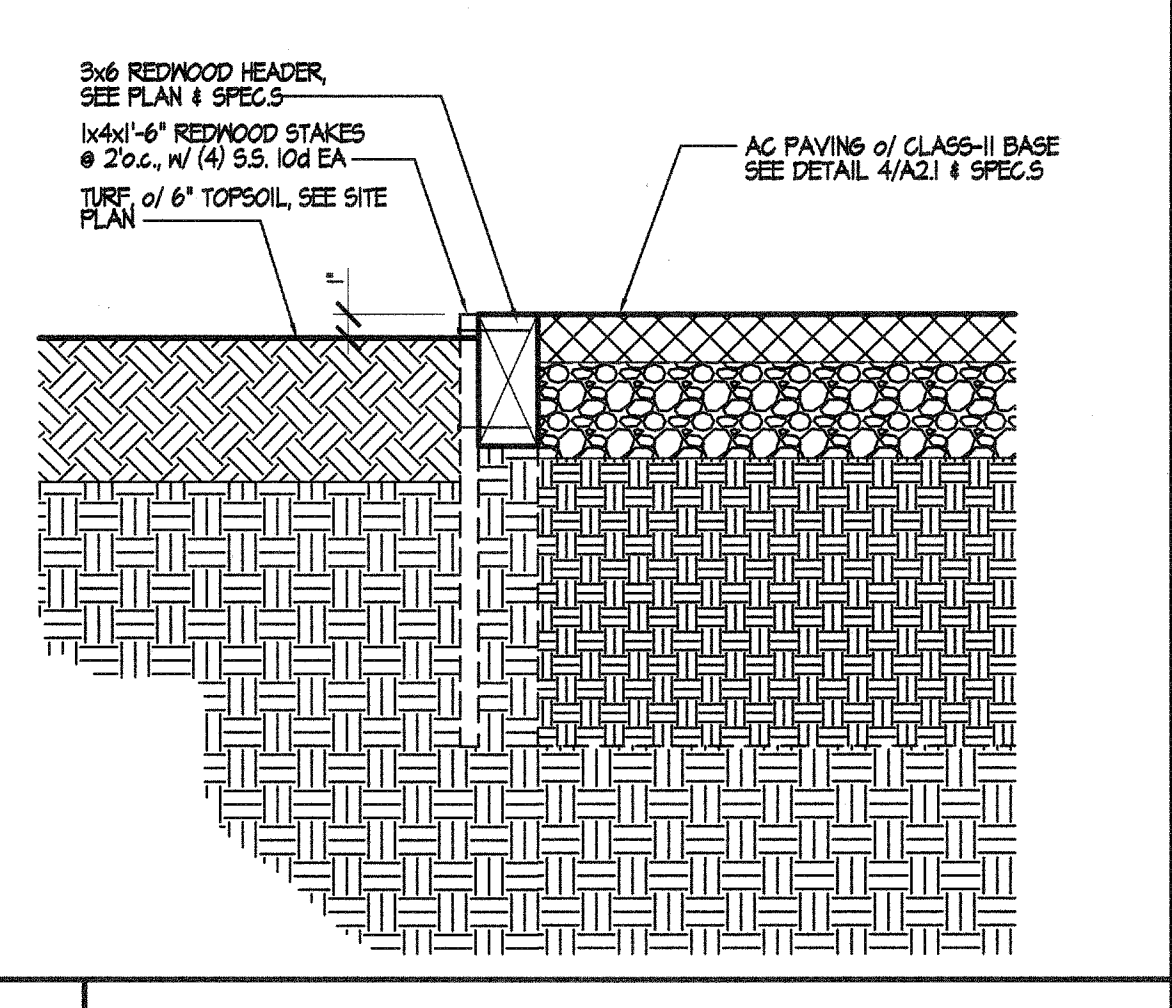
15 FIRE LANE SIGN SCALE: NTS



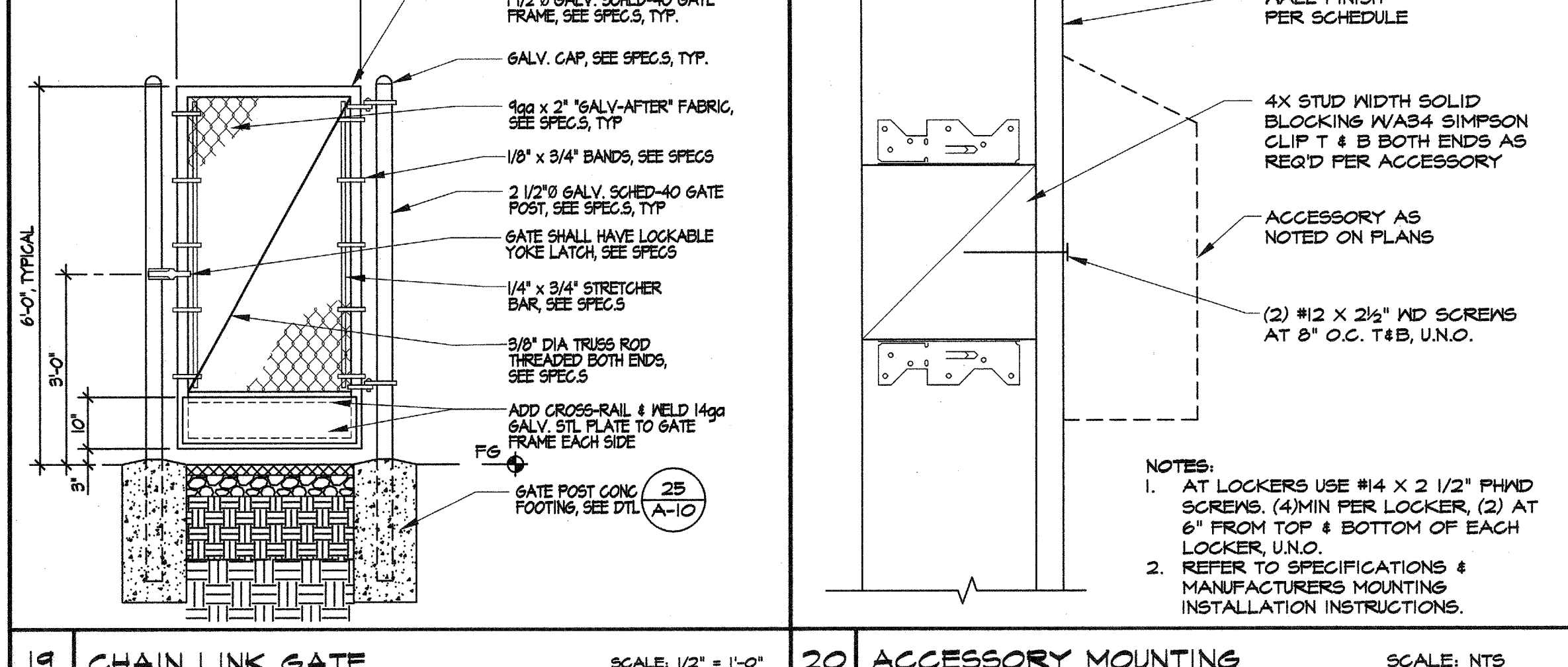
16 VEHICLE REMOVAL SIGN SCALE: NTS



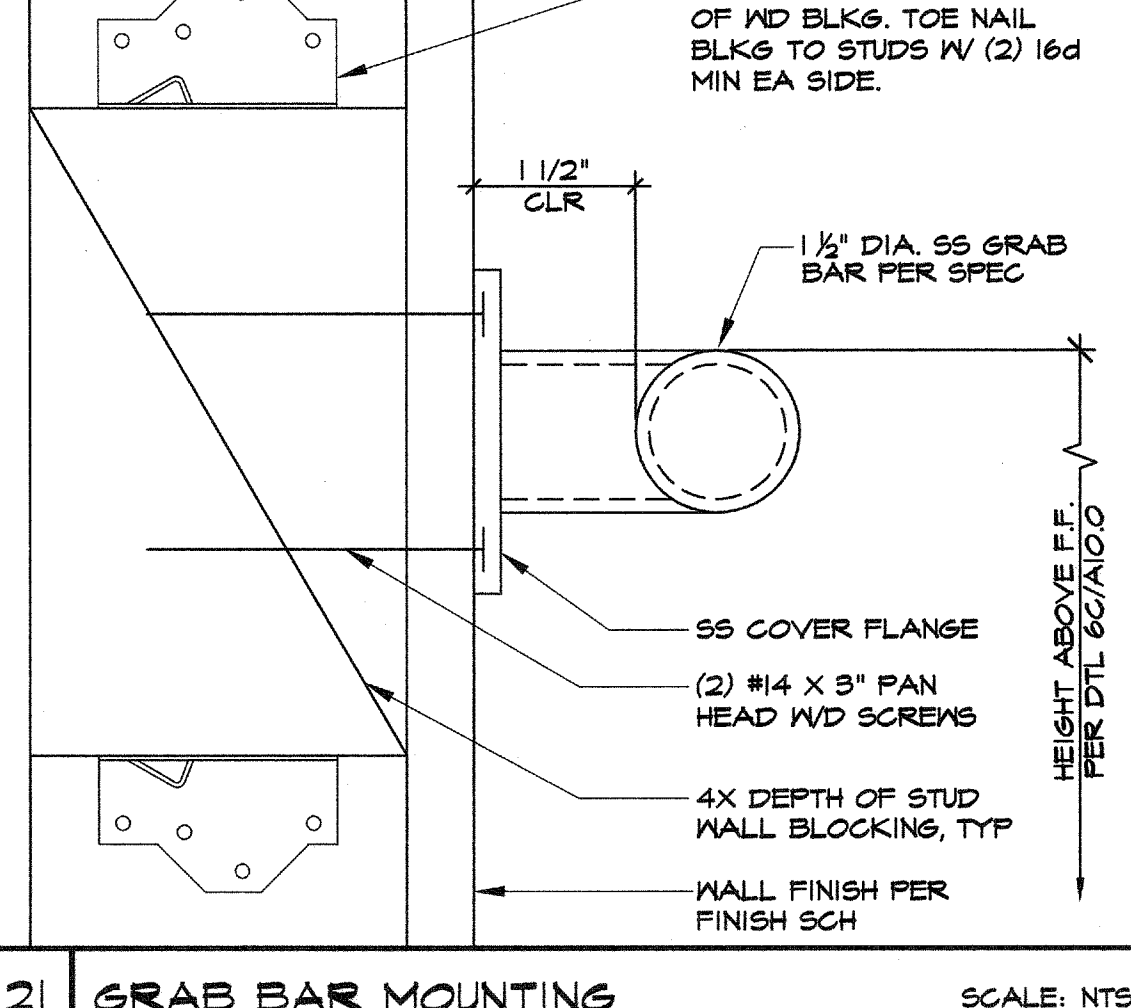
17 SIGN ATTACHMENT SCALE: NTS



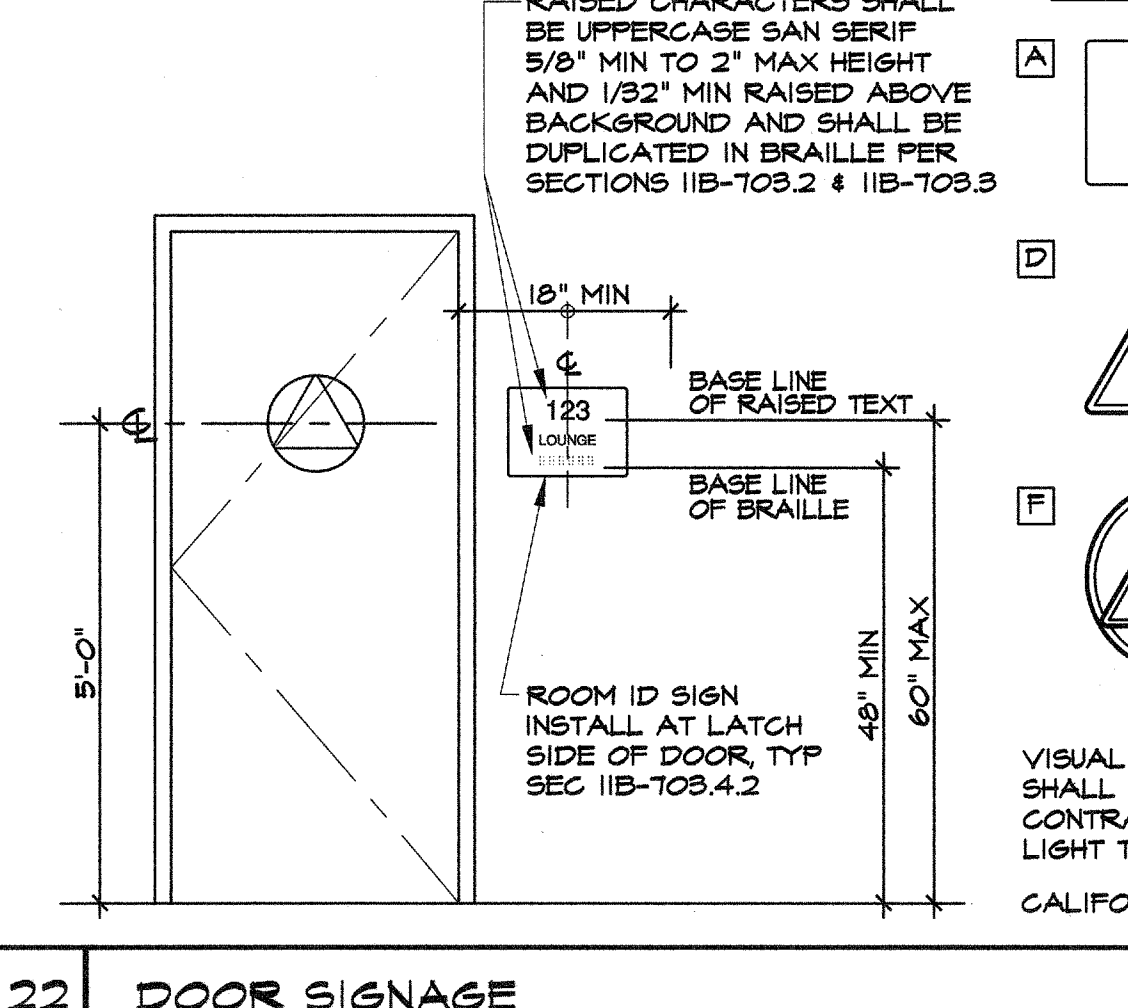
18 REDWOOD HEADER SCALE: NTS



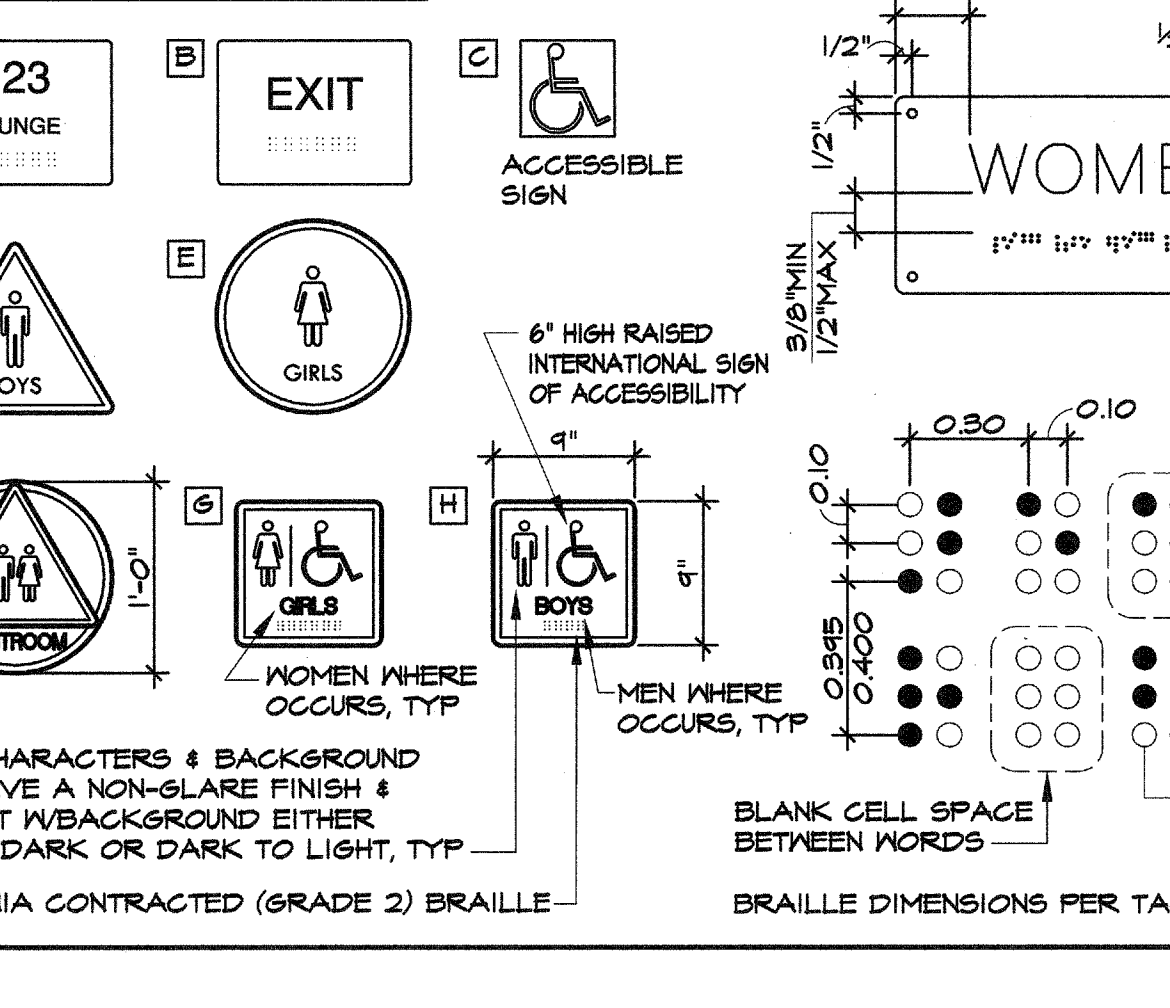
19 CHAIN LINK GATE SCALE: 1/2" = 1'-0"



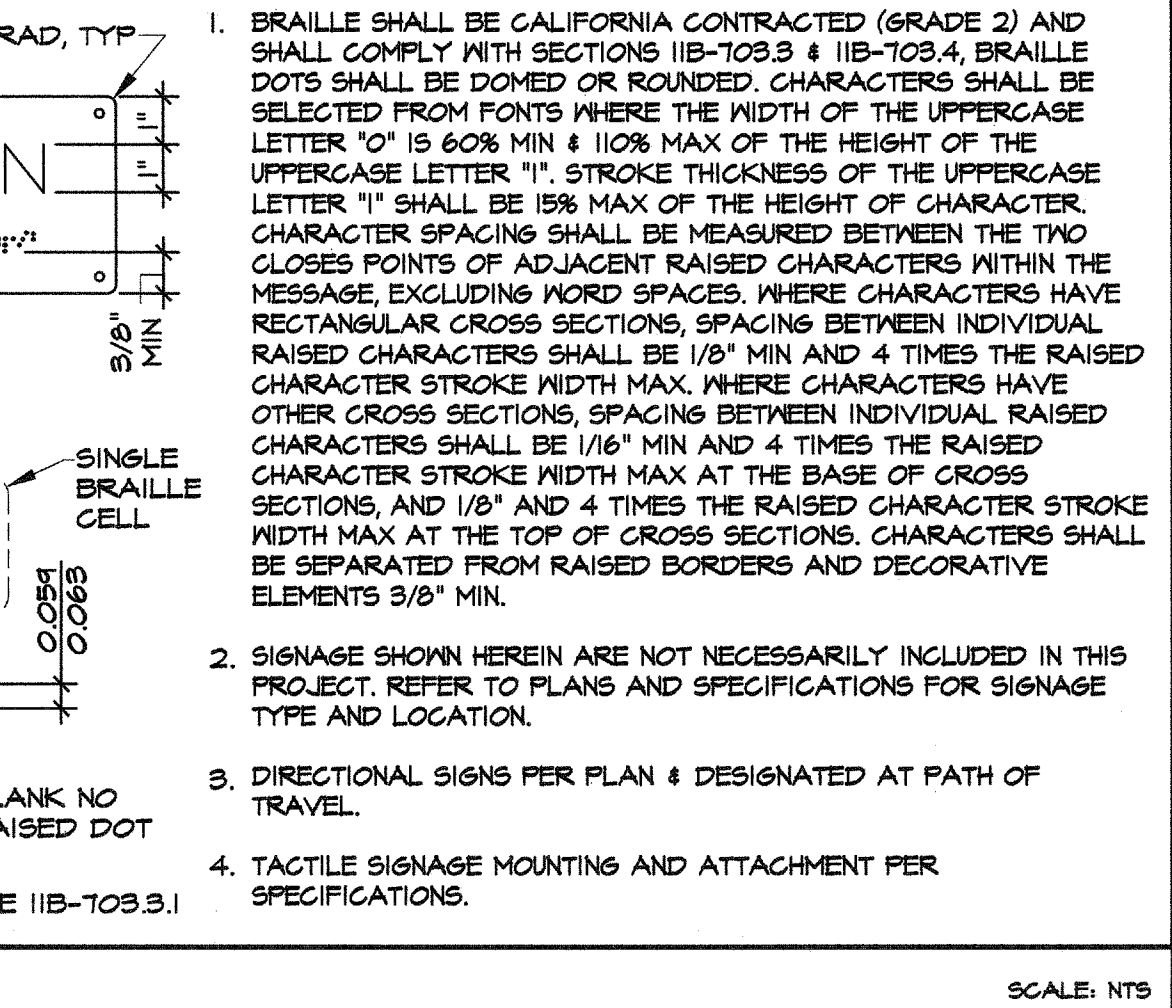
20 ACCESSORY MOUNTING SCALE: NTS



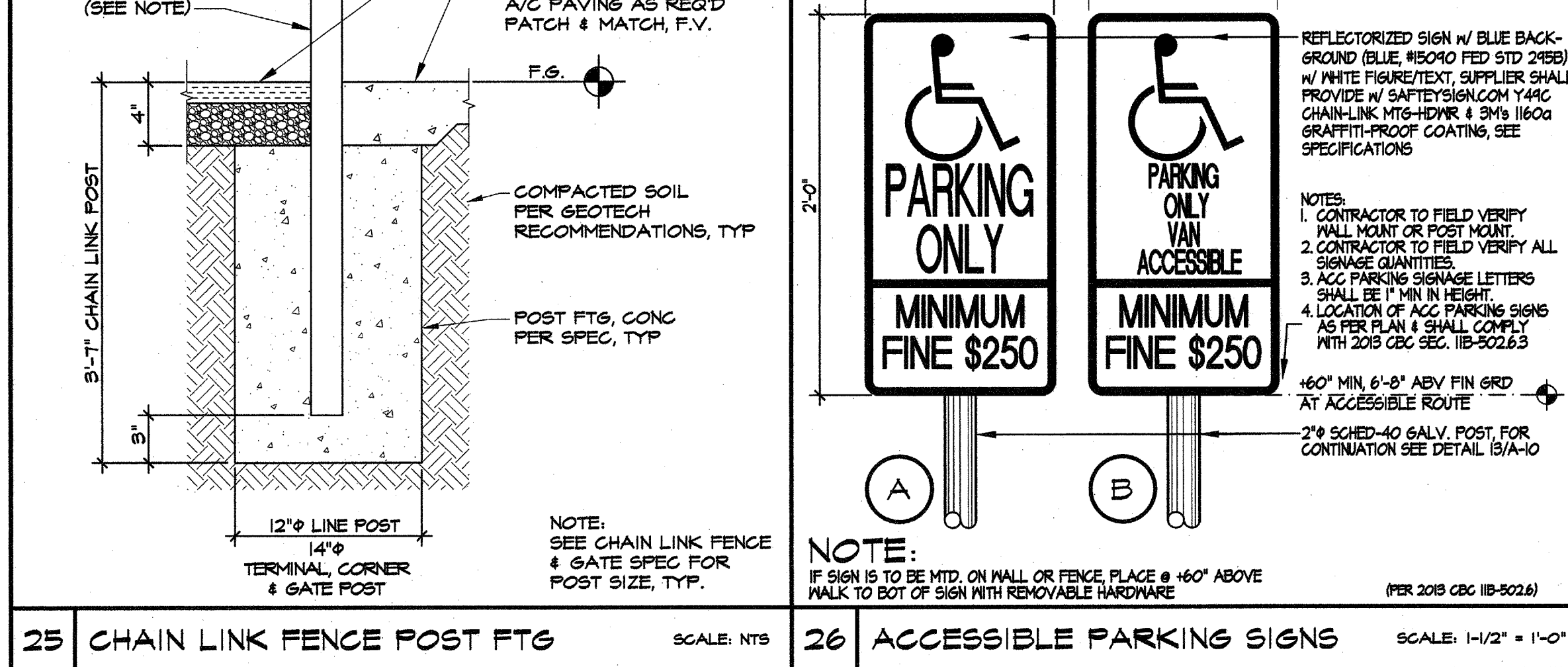
21 GRAB BAR MOUNTING SCALE: NTS



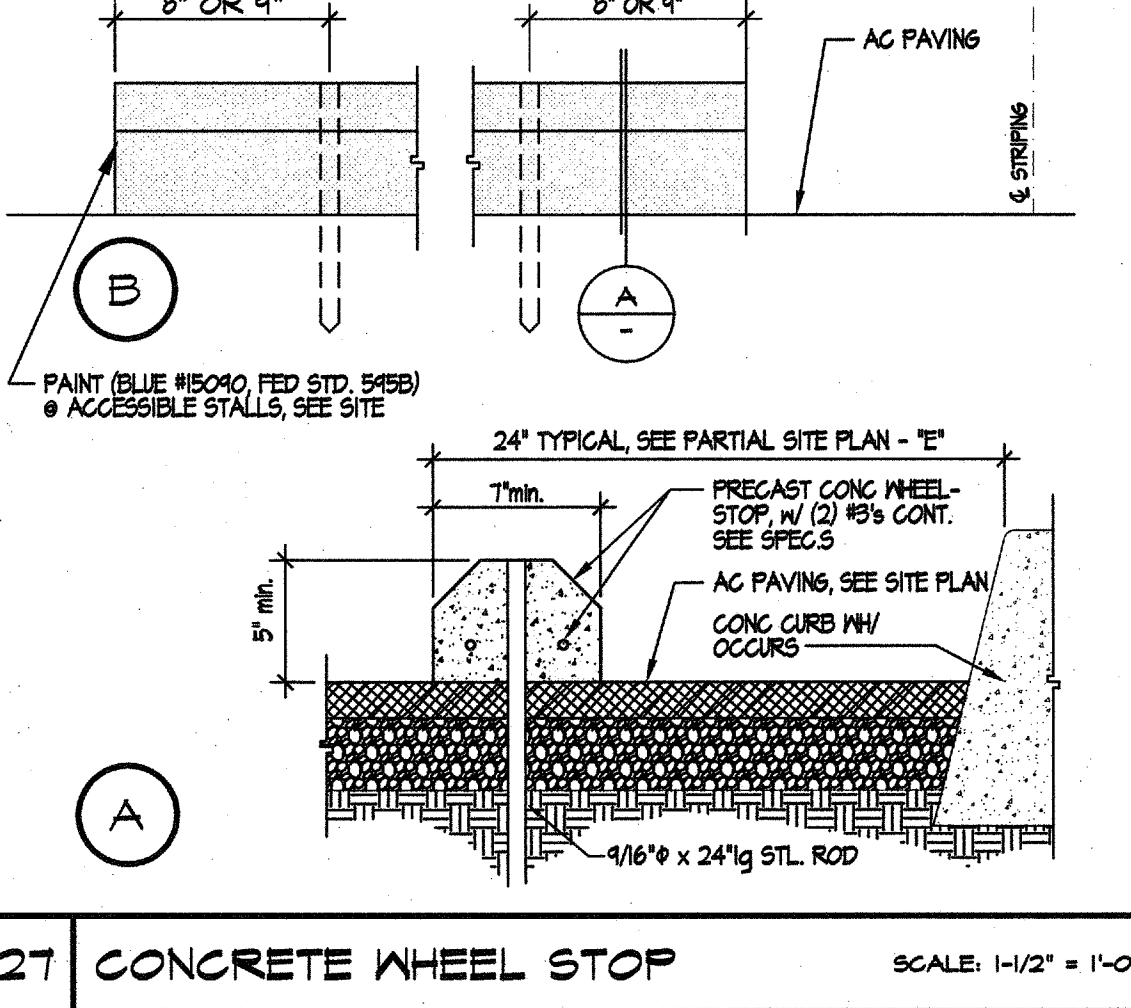
22 DOOR SIGNAGE SCALE: NTS



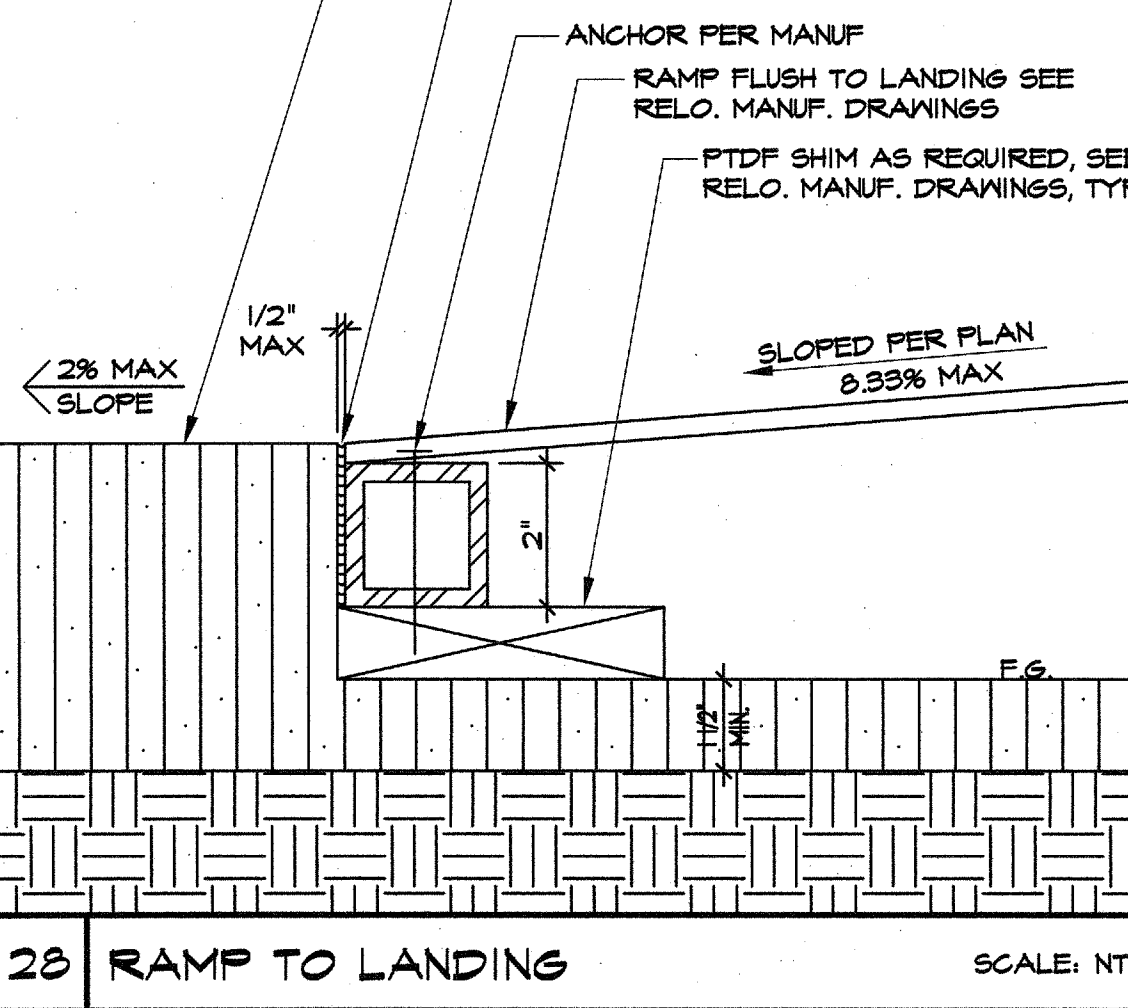
30 RELO FOUNDATION AT AC PAVING SCALE: NTS



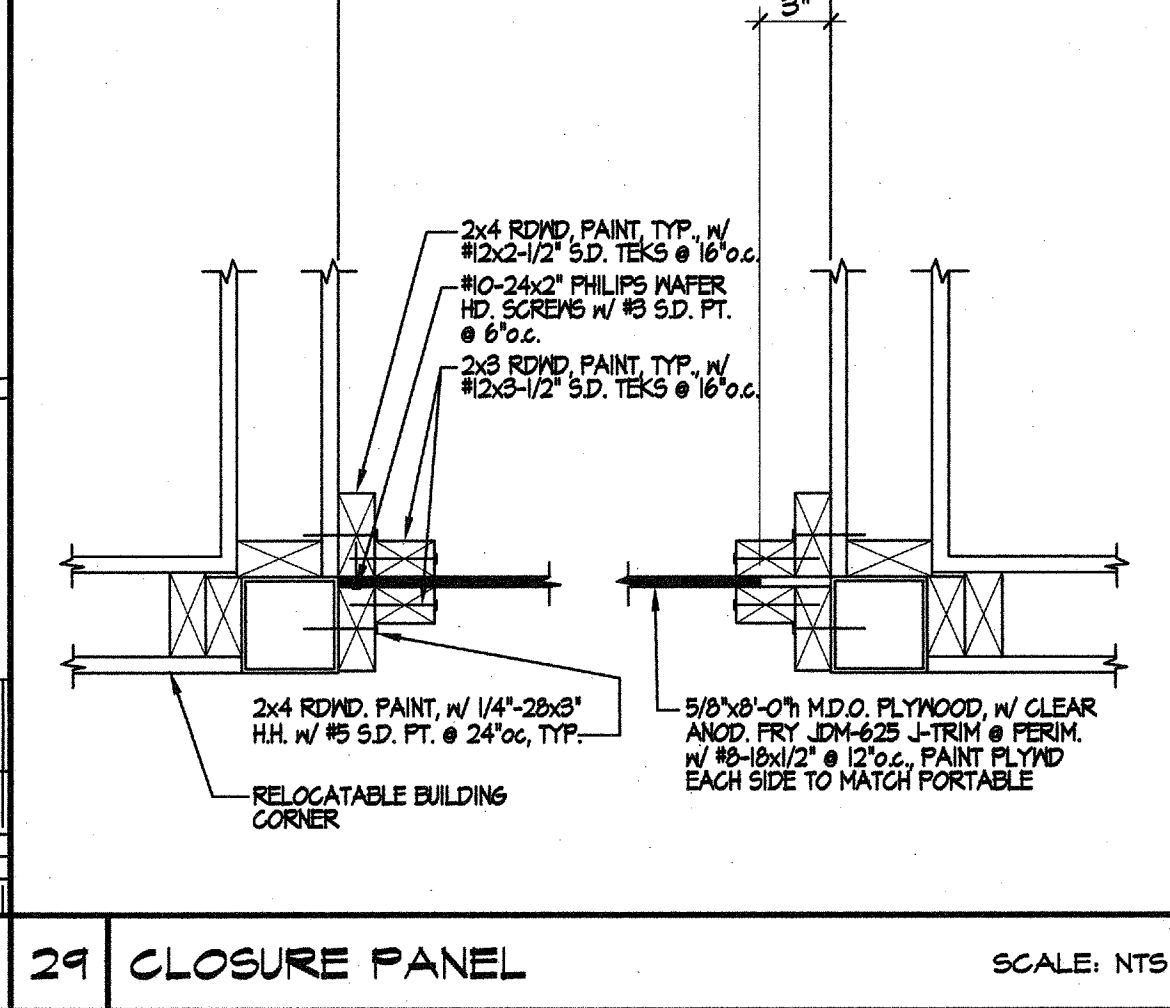
25 CHAIN LINK FENCE POST FTG SCALE: NTS



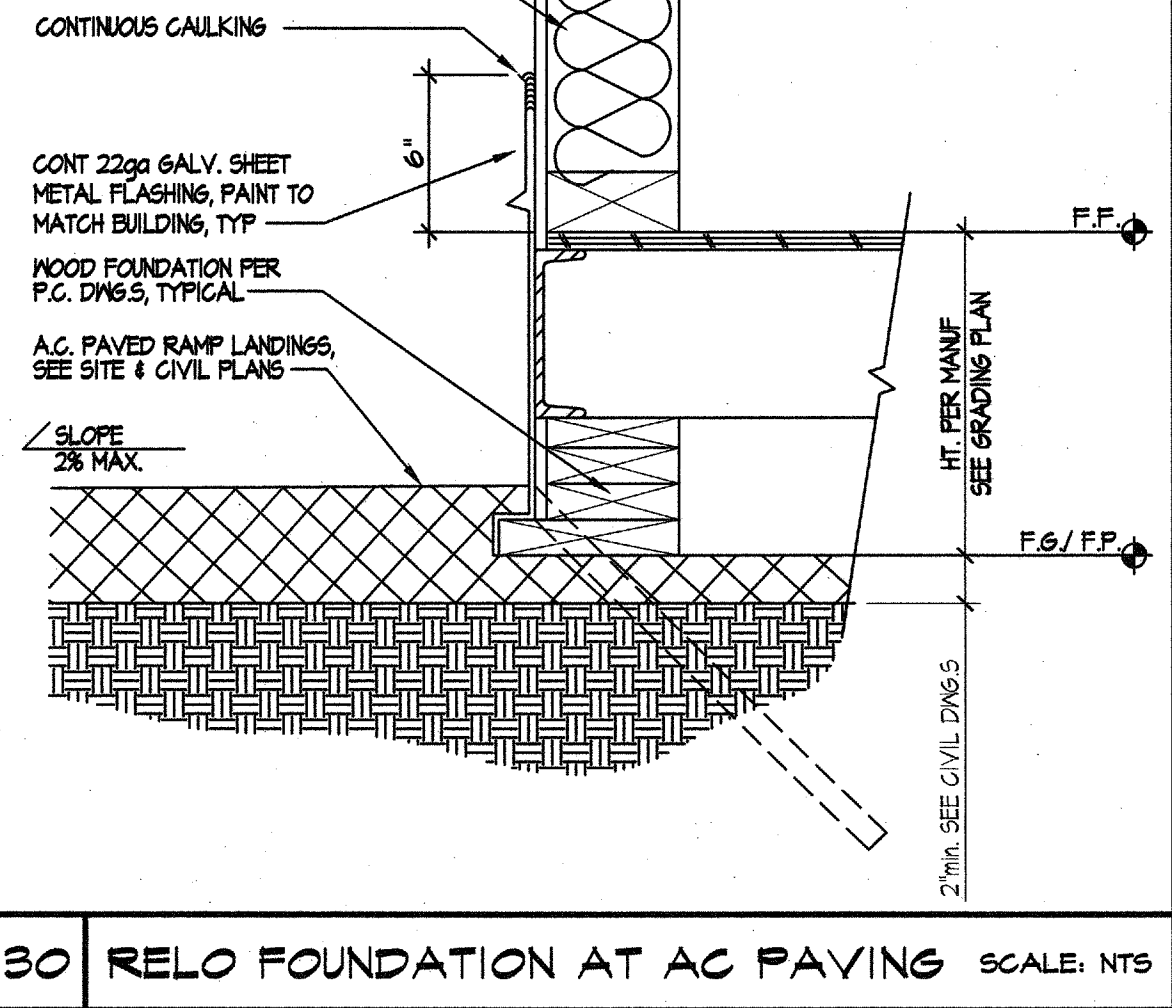
27 CONCRETE WHEEL STOP SCALE: 1/2" = 1'-0"



28 RAMP TO LANDING SCALE: NTS



29 CLOSURE PANEL SCALE: NTS



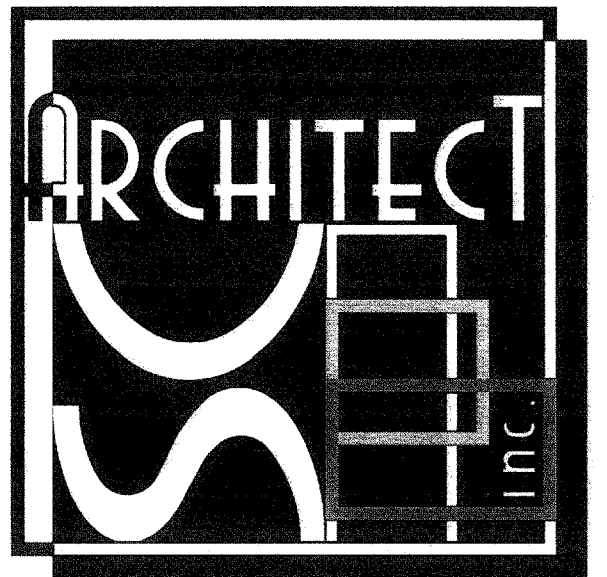
30 RELO FOUNDATION AT AC PAVING SCALE: NTS

MARK	DATE	REVISIONS
△		
△		
△		

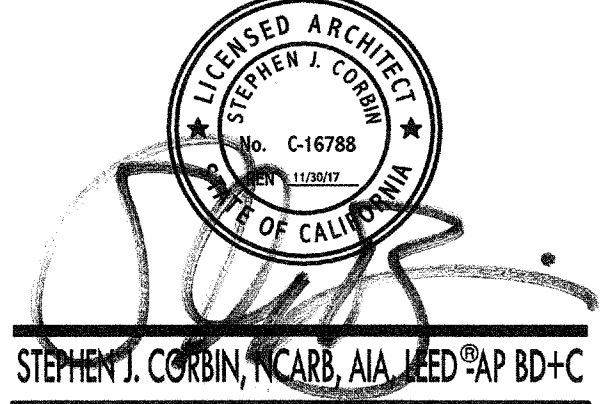
CHECK AND VERIFY ALL DIMENSIONS BEFORE PROCEEDING WITH THE WORK. REPORT DISCREPANCIES TO THE ARCHITECT. ALL CONSTRUCTION SHALL CONFORM TO THE C.B.C.

SITE IMPROVEMENTS FOR (4) MODULAR CLASSROOMS AT:
HORACE MANN ELEMENTARY SCHOOL
2710 NILES STREET
FOR
BAKERSFIELD CITY SCHOOL DISTRICT
BAKERSFIELD, KERN COUNTY, CALIFORNIA, 93305

IDENTIFICATION STAMP
DIV. OF THE STATE ARCHITECT
OFFICE OF REGULATION SERVICES
APR. 03-116978
FILE 15-6
DATE: MAY 08 2016
PTN: 63321-206



1601 NEW STINE ROAD, SUITE 280
BAKERSFIELD, CA 93309
PH: (661) 397-4377
FAX: (661) 397-4378
WWW.SCARCHITECT.COM



NOTES:
1. BRAILLE SHALL BE CALIFORNIA CONTRACTED (GRADE 2) AND SHALL COMPLY WITH SECTIONS 11B-109.3 & 11B-109.4. BRAILLE DOTS SHALL BE DOMED OR ROUNDED. CHARACTERS SHALL BE SELECTED FROM FONTS WHERE THE WIDTH OF THE UPPERCASE LETTER 'O' IS 60% MIN & 100% MAX OF THE HEIGHT OF THE UPPERCASE LETTER 'I'. STROKE THICKNESS OF THE UPPERCASE LETTER 'I' SHALL BE 15% MAX OF THE HEIGHT OF CHARACTER. CHARACTER SPACING SHALL BE MEASURED BETWEEN THE TWO CLOSEST POINTS OF ADJACENT RAISED CHARACTERS WITHIN THE MESSAGE EXCLUDING WORD SPACES. WHERE CHARACTERS HAVE RECTANGULAR CROSS SECTIONS SPACING BETWEEN INDIVIDUAL RAISED CHARACTERS SHALL BE 1/16" MIN AND 4 TIMES THE RAISED CHARACTER STROKE WIDTH MAX. WHERE CHARACTERS HAVE OTHER CROSS SECTIONS SPACING BETWEEN INDIVIDUAL RAISED CHARACTERS SHALL BE 1/16" MIN AND 4 TIMES THE RAISED CHARACTER STROKE WIDTH MAX AT THE BASE OF CROSS SECTIONS AND 1/16" AND 4 TIMES THE RAISED CHARACTER STROKE WIDTH MAX AT THE TOP OF CROSS SECTIONS. CHARACTERS SHALL BE SEPARATED FROM RAISED BORDERS AND DECORATIVE ELEMENTS 3/16" MIN.
2. SIGNAGE SHOWN HEREIN ARE NOT NECESSARILY INCLUDED IN THIS PROJECT. REFER TO PLANS AND SPECIFICATIONS FOR SIGNAGE TYPE AND LOCATION.
3. DIRECTIONAL SIGNS PER PLAN & DESIGNATED AT PATH OF TRAVEL.
4. TACTILE SIGNAGE MOUNTING AND ATTACHMENT PER SPECIFICATIONS.

DETAILS

JOB NO.
1218
DRAWN BY
MDE
CHECKED BY
DATE: 04-13-16
10.0 OF SHEETS