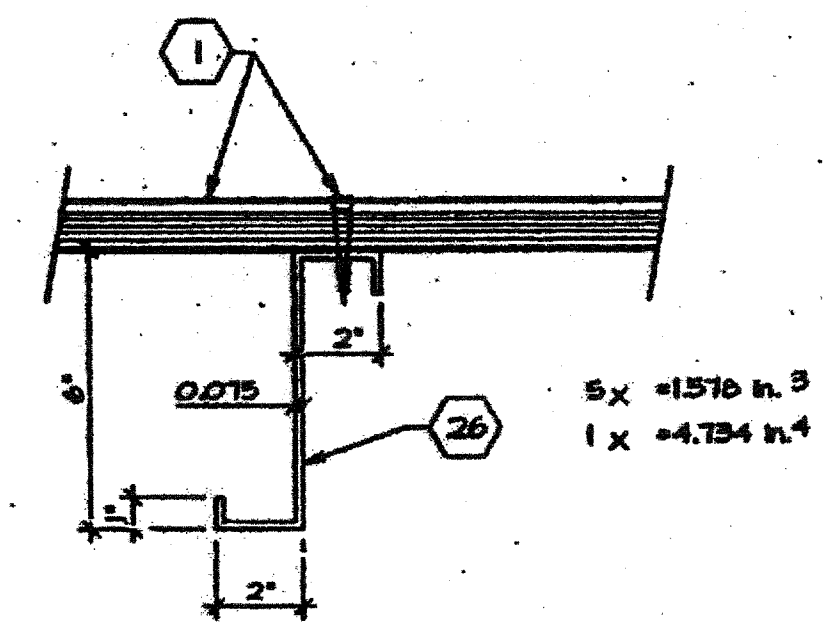
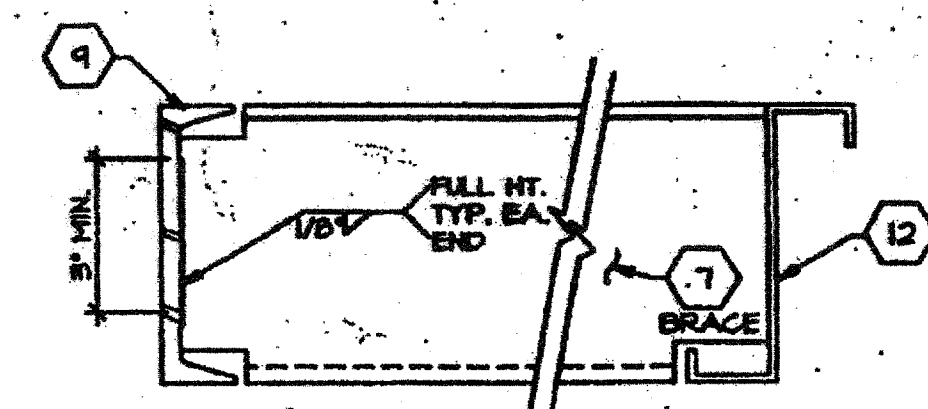


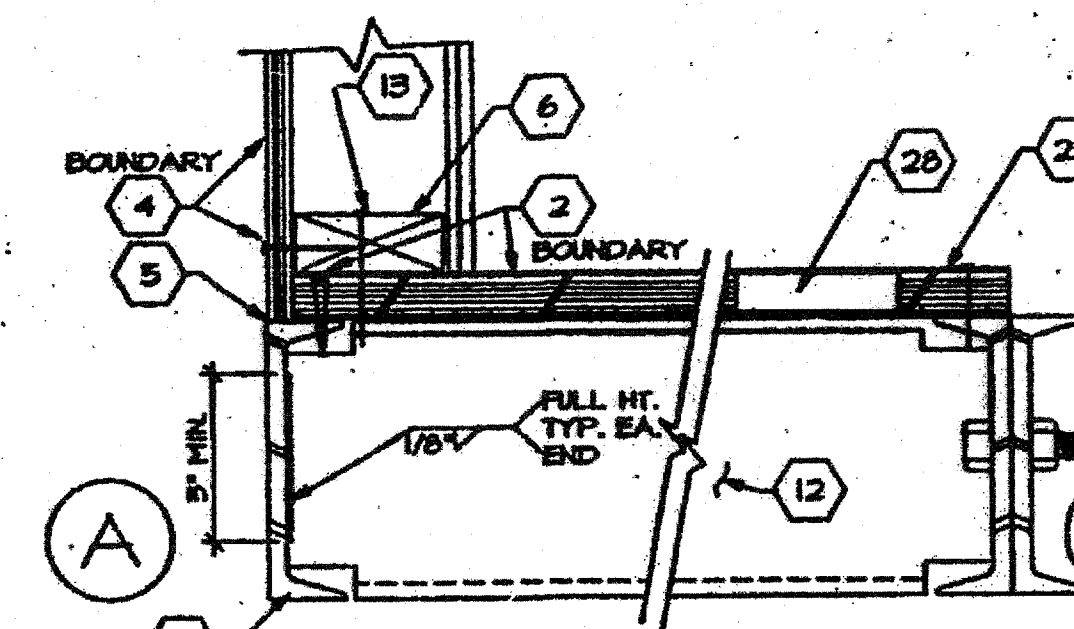
POST CONN. AT ROOF 16



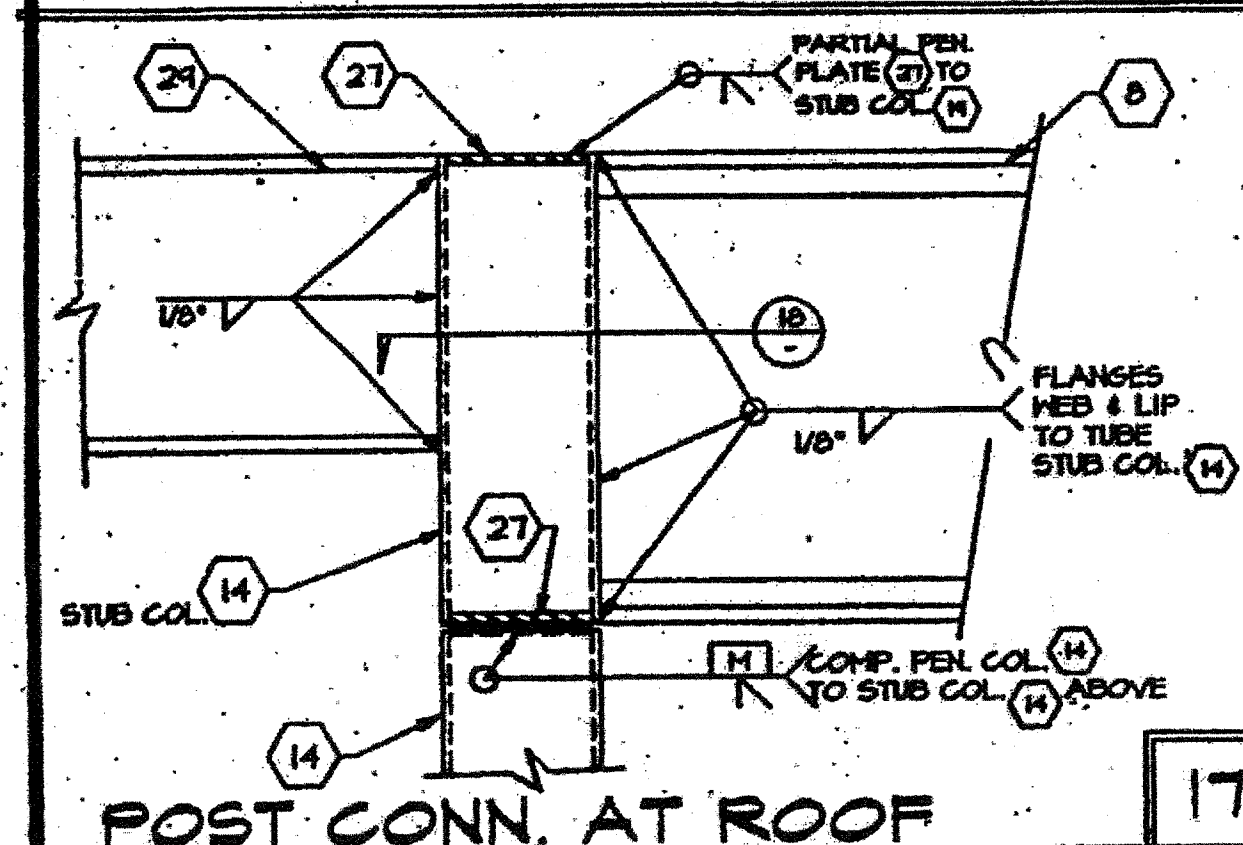
ROOF JOIST 11



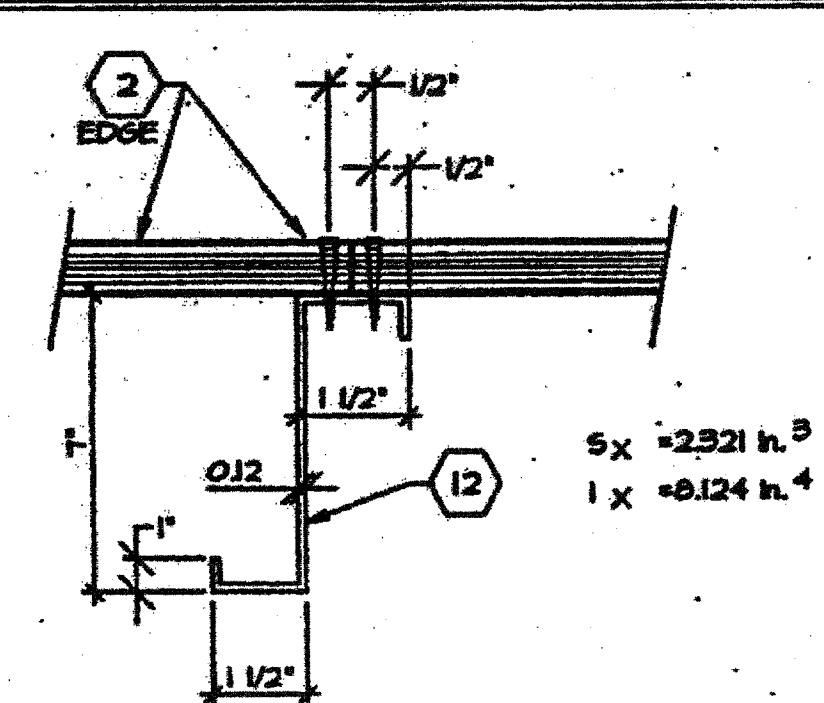
BRACE AT FLOOR 6



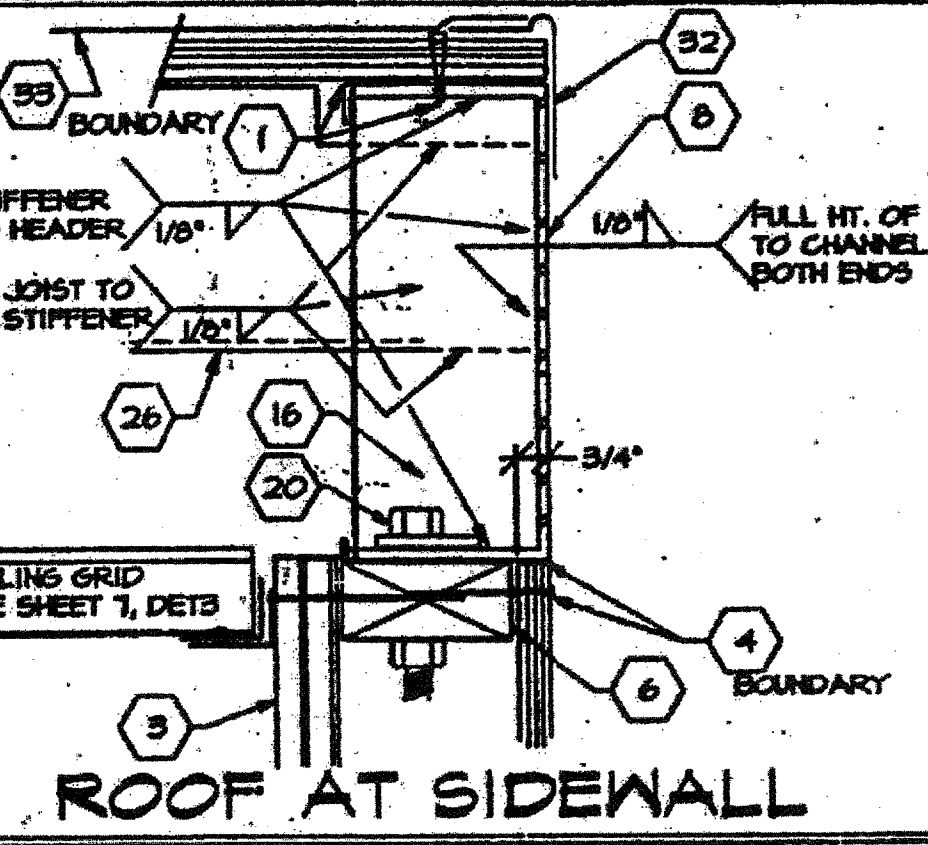
PERIMETER FLOOR 1



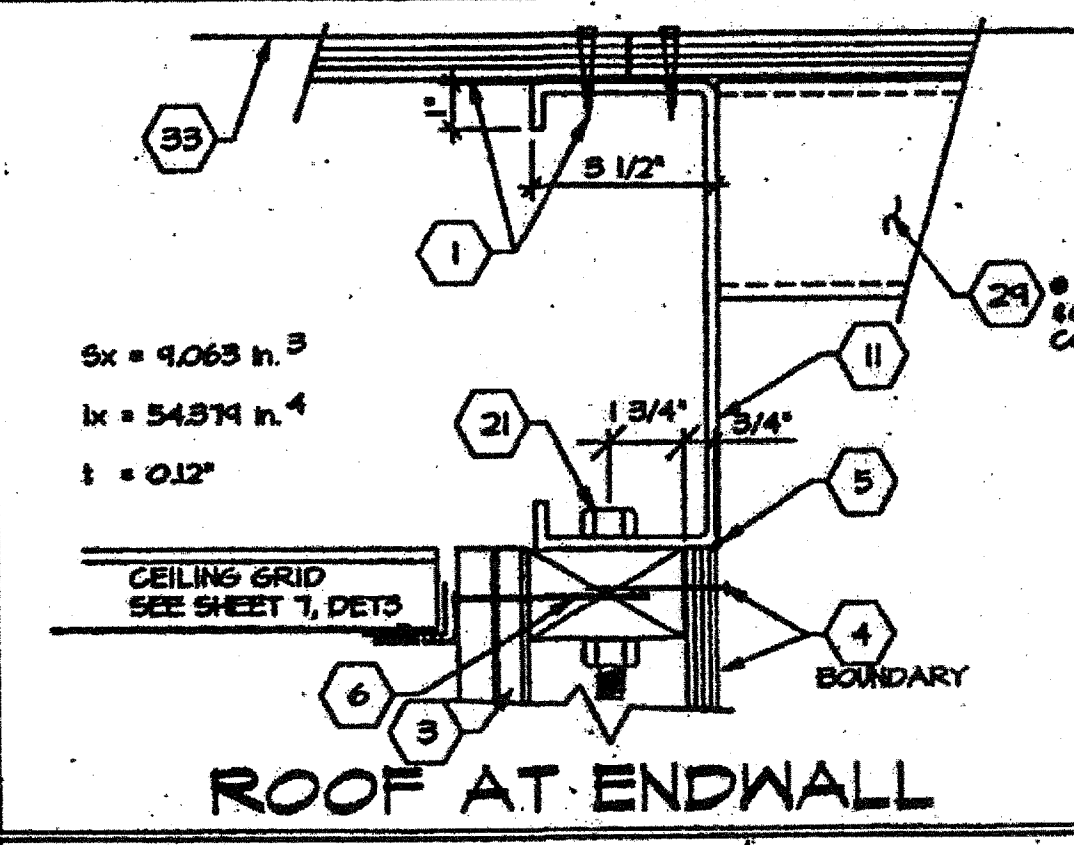
POST CONN. AT ROOF 17



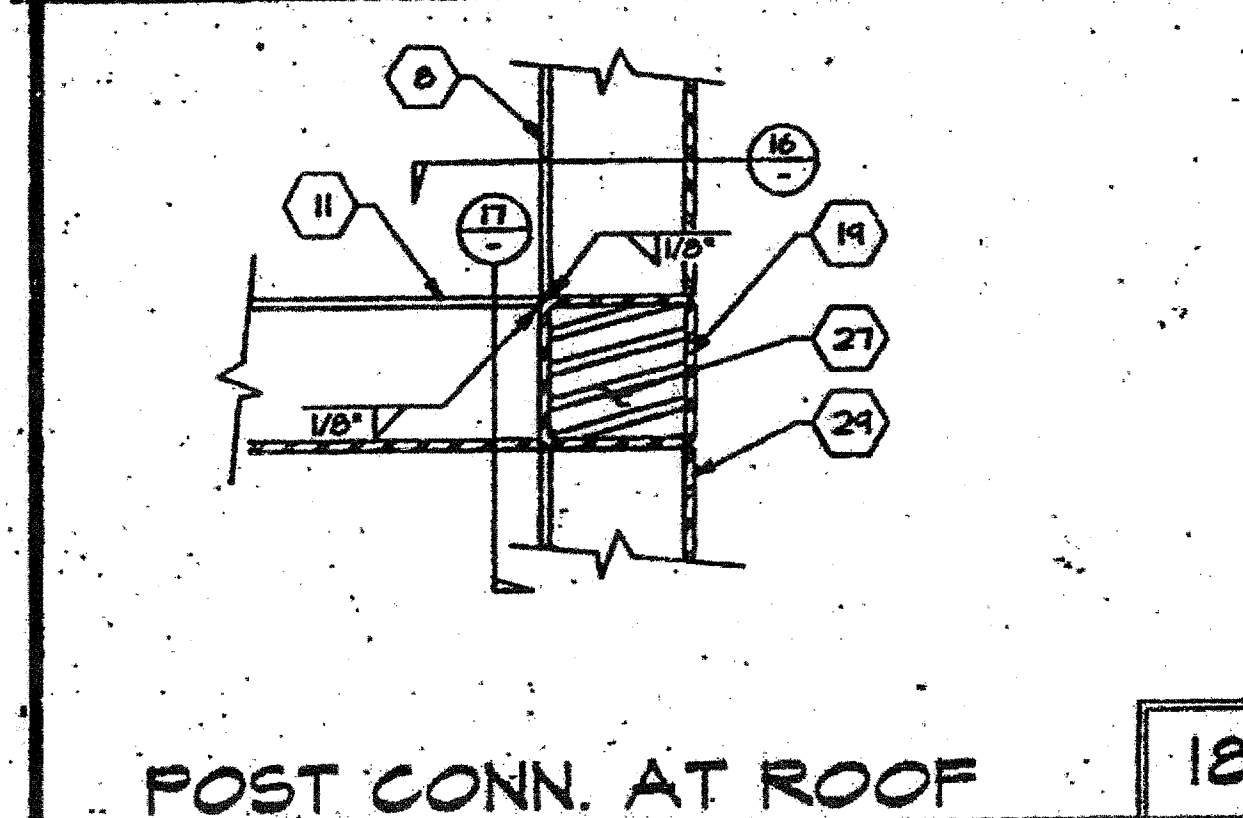
FLOOR JOIST 12



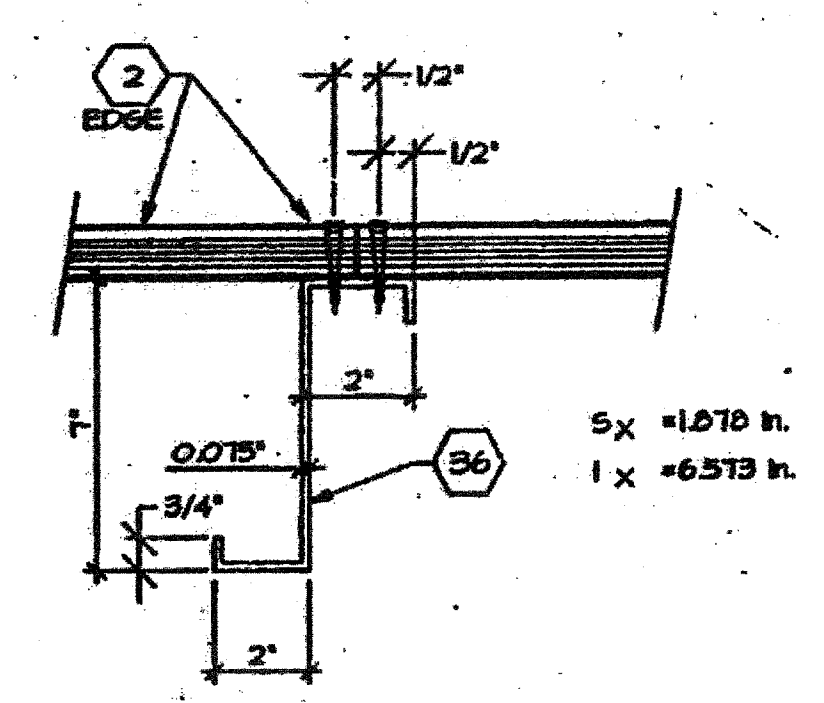
ROOF AT SIDEWALL 7



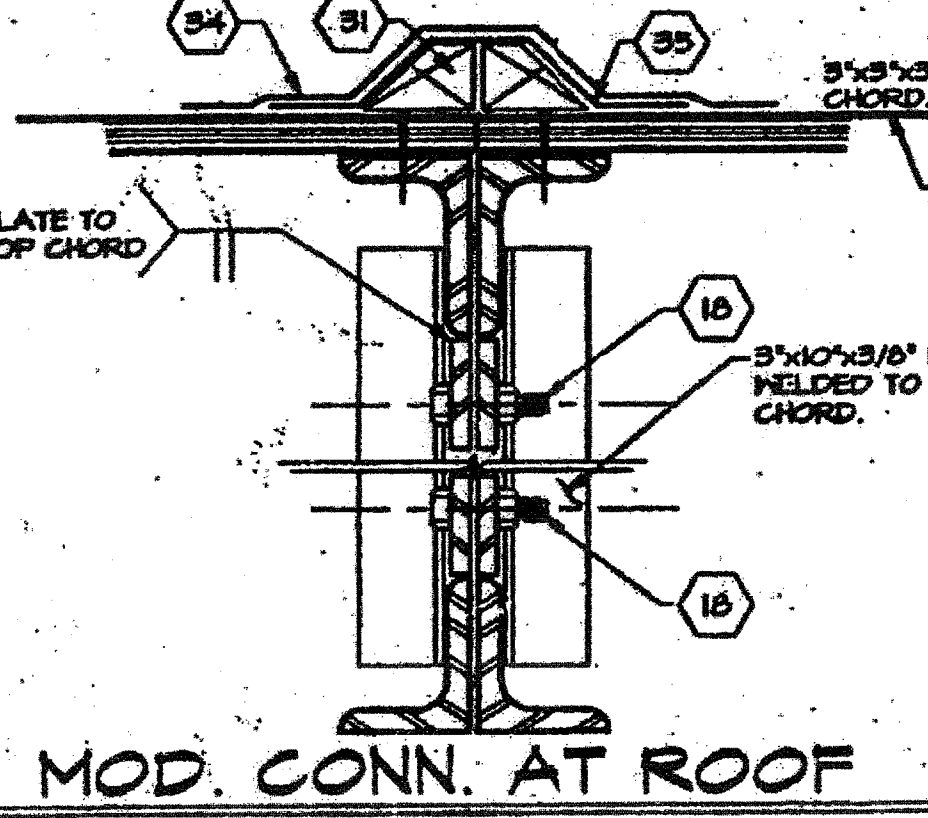
ROOF AT ENDWALL 2



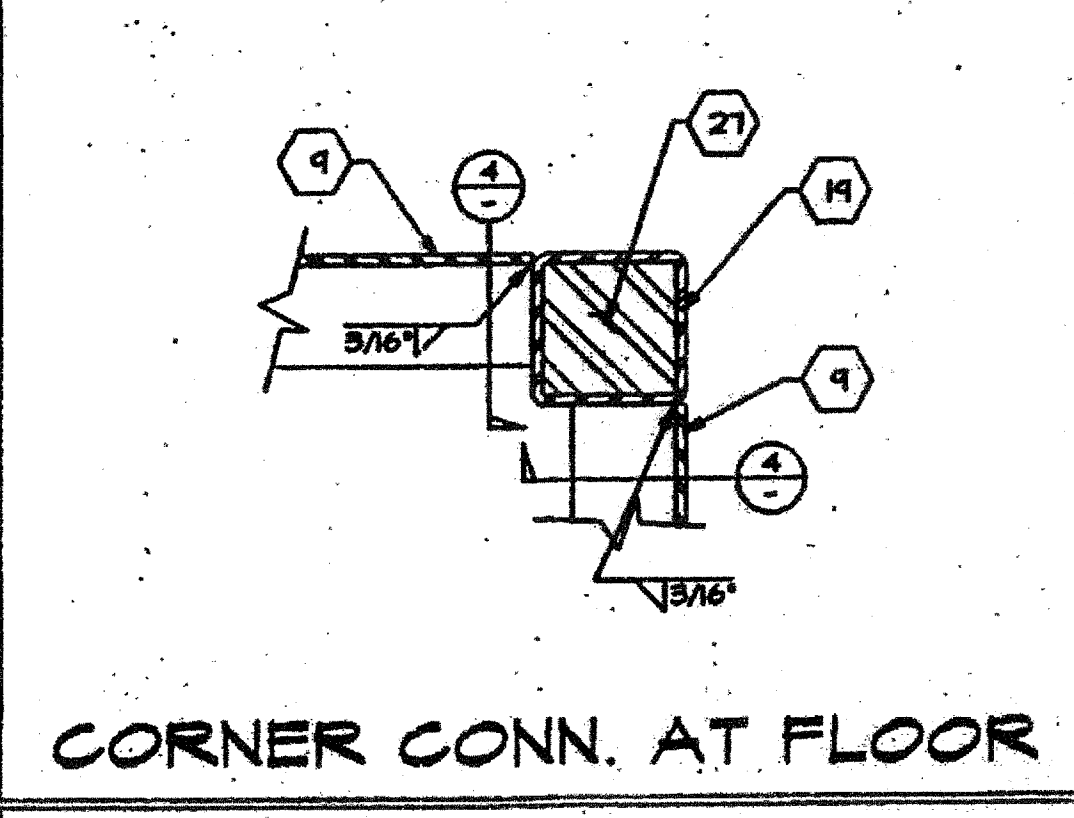
POST CONN. AT ROOF 18



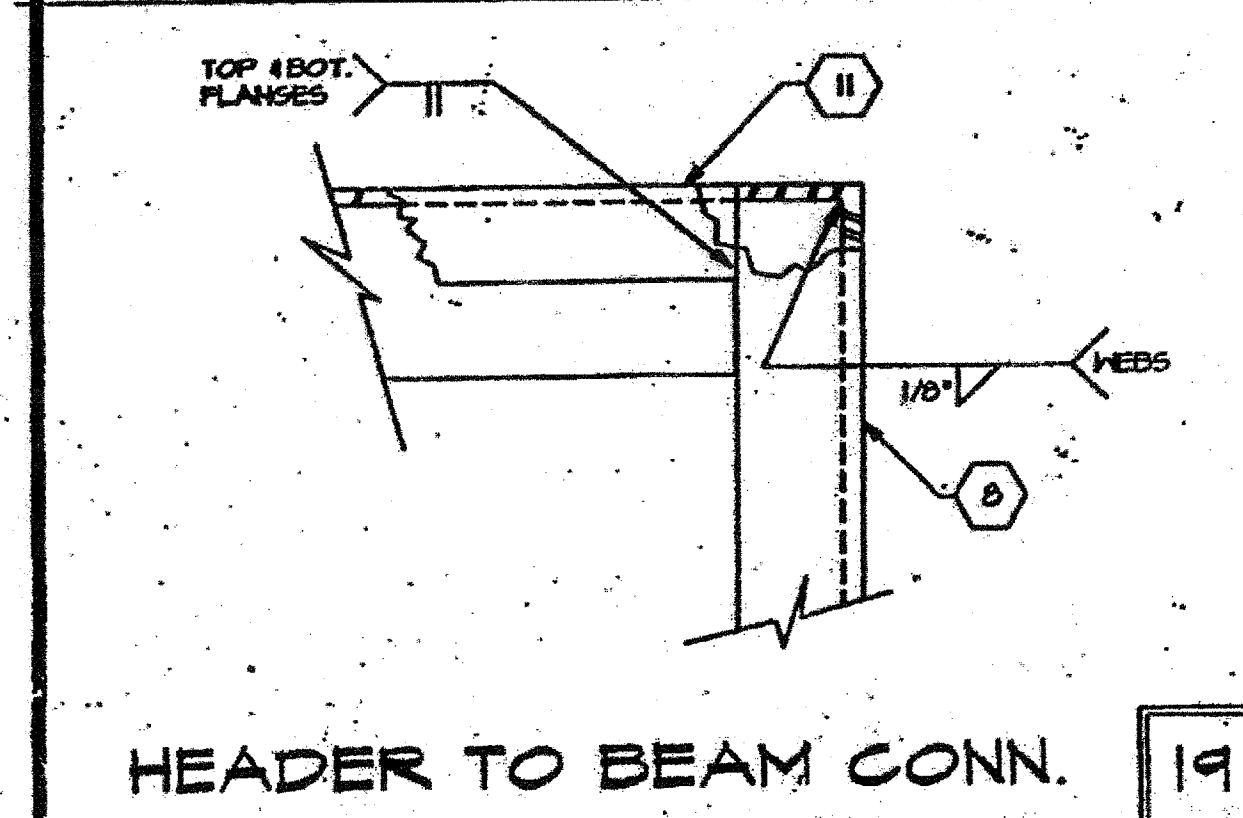
(ALT.) FLOOR JOIST 13



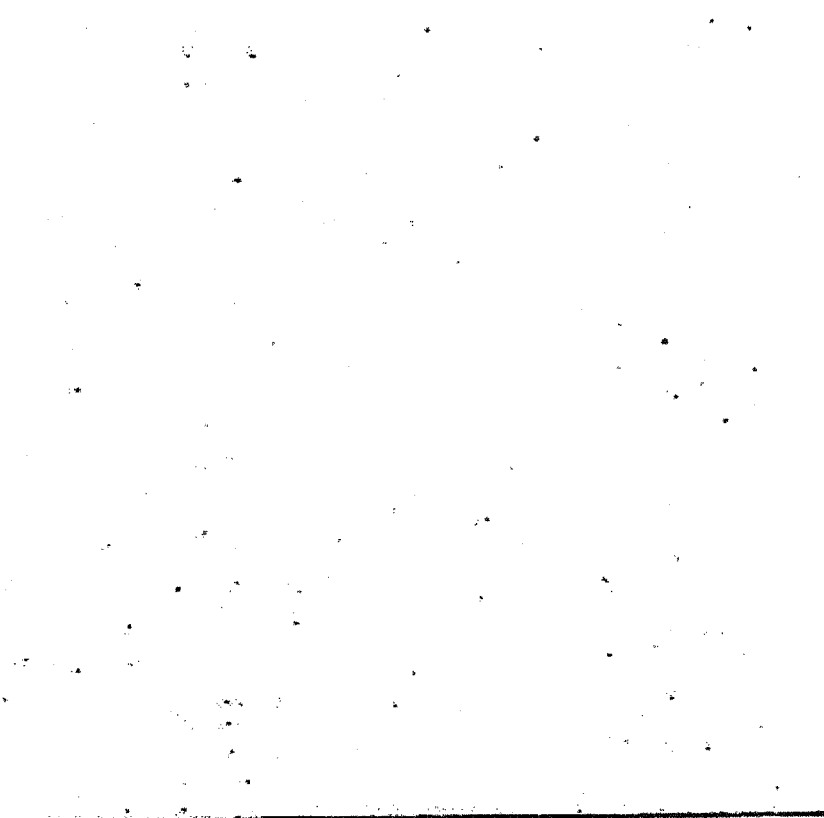
MOD. CONN. AT ROOF 8



CORNER CONN. AT FLOOR 3



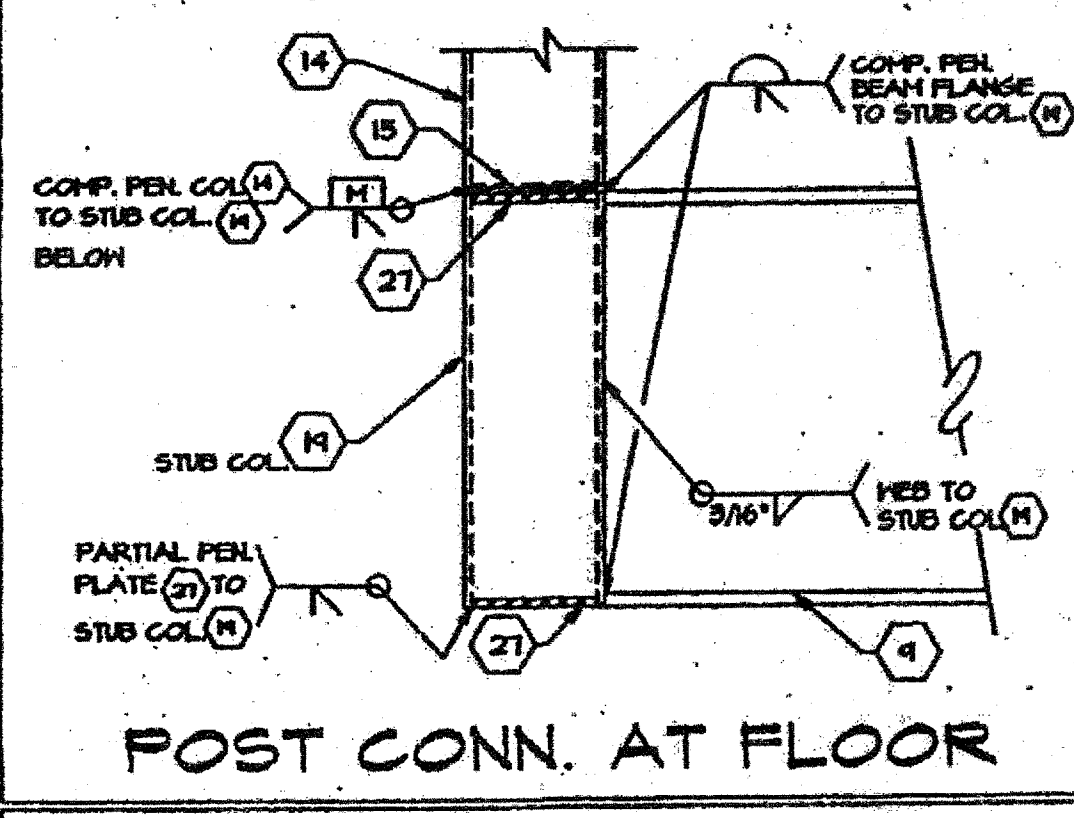
HEADER TO BEAM CONN. 19



WELD WASHER SUSPENDED CEILING HANGER WIRE 14



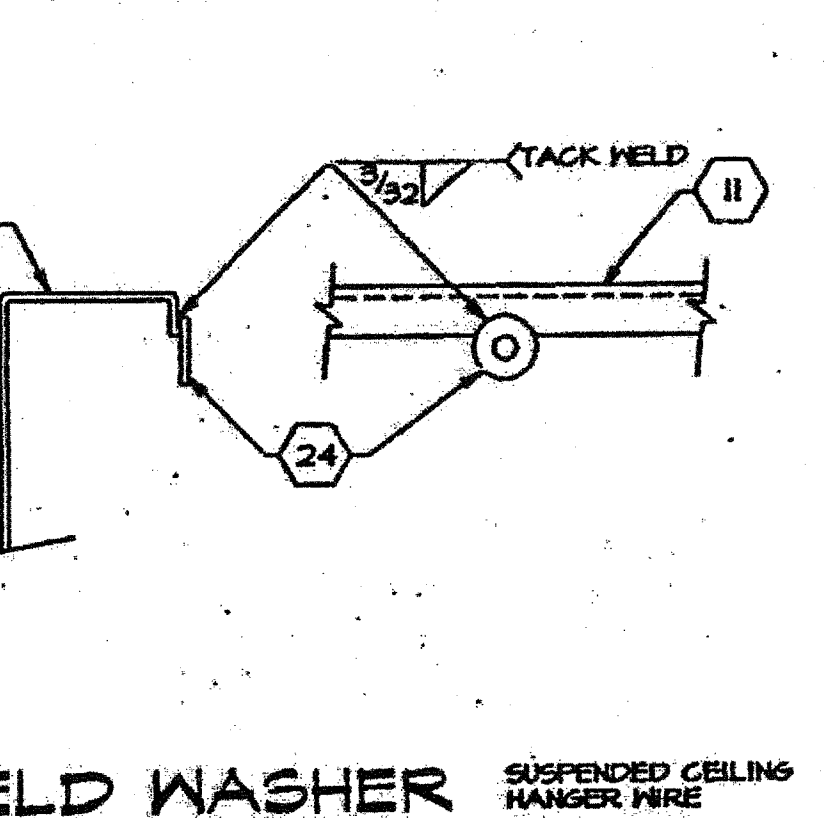
TYPICAL BEAM SPLICE 9



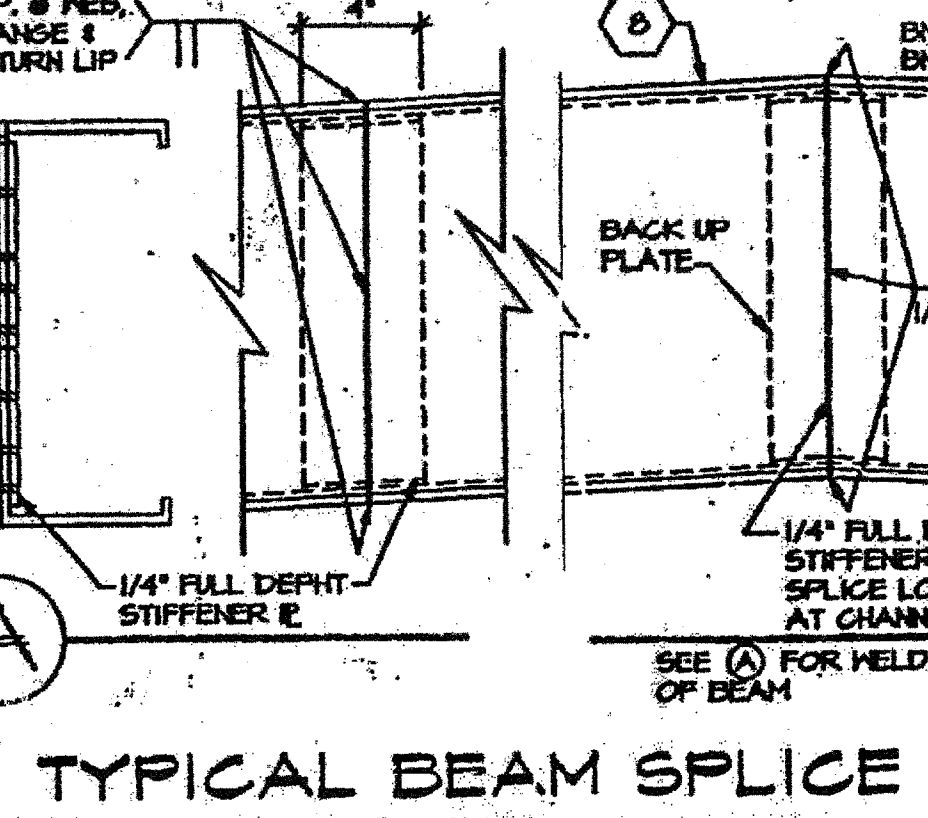
POST CONN. AT FLOOR 4

SECTION PROPERTIES 20

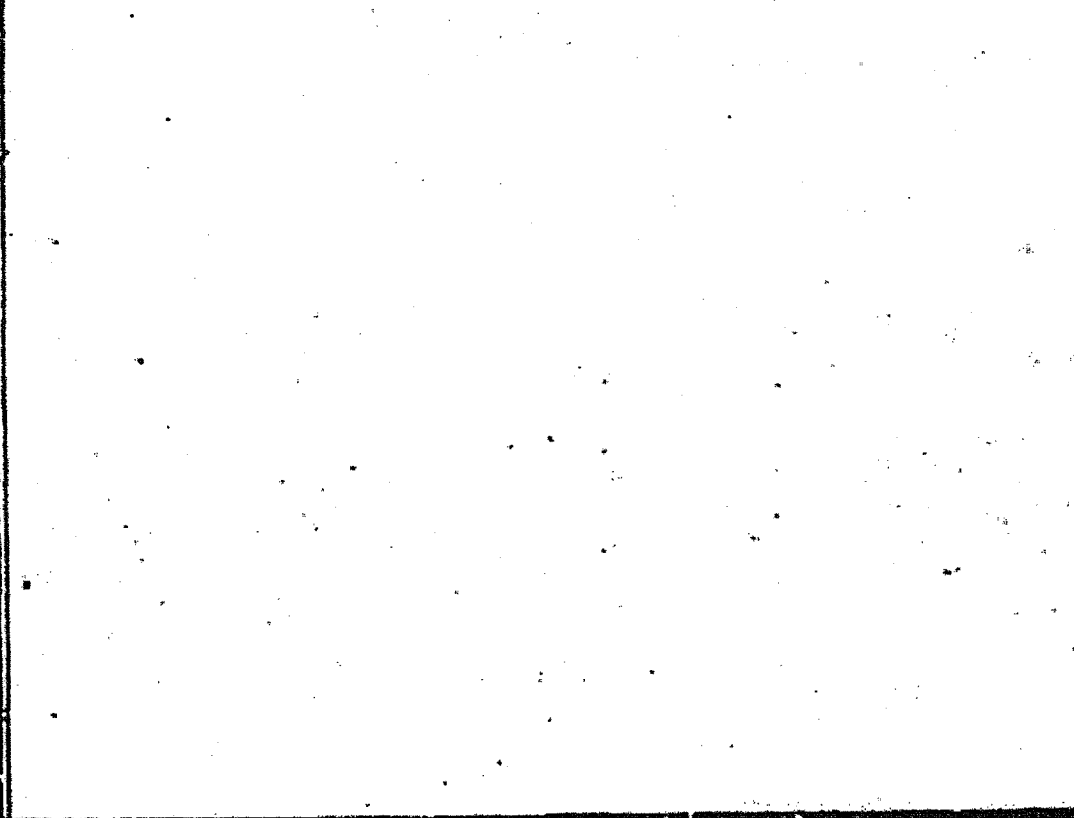
<p>35" x 1"</p> <p>A = 3506</p> <p>MIN. 5x = 127,044 in.³</p> <p>I x = 144,438 in.⁴</p> <p>A = 4101</p> <p>MAX. 5x = 25,904 in.³</p> <p>I x = 274,908 in.⁴</p> <p>18x3 1/2"x12 6x</p>	<p>35" x 1"</p> <p>A = 3506</p> <p>MIN. 5x = 127,044 in.³</p> <p>I x = 144,438 in.⁴</p> <p>A = 4256</p> <p>MAX. 5x = 32,324 in.³</p> <p>I x = 452,611 in.⁴</p> <p>26x3 1/2"x12 6x</p>
---	---



WELD WASHER SUSPENDED CEILING HANGER WIRE 15



TYPICAL BEAM SPLICE 10



TYPICAL BEAM SPLICE 5

KEYNOTES CBC 1998

- PLYWOOD ROOF DECK - SEE NOTE 1, SHT. 54.0 OR 54.1 ATTACH PLYWOOD WITH #10 x 1-1/4" SELF TAP SCREWS @ 6" O.C. FIELD NAILING AND EDGE NAILING. ALTERNATE ORIENTED STRAND BOARD (O.S.B.) ROOF SHEATHING PER D.S.A. PRODUCT ACCEPTANCE NUMBER PA-062
- PLYWOOD FLOOR SHEATHING - SEE NOTE 2 SHT. 54.0 OR 54.1 ATTACH PLYWOOD WITH #10 x 1-1/4" SELF TAP SCREWS @ 6" O.C. BOUNDARY 1" EDGES AND 6" O.C. FIELD. IN FLOOR JOIST @ 48" O.C. (JOIST SPACE UNDER 48" O.C. @ 10" O.C. FIELD)
- TYPICAL INTERIOR FINISH - SEE SHEET 9.I
- TYPICAL EXTERIOR FINISH - SEE SHEET 9.I
- SEALANT
- 2 x 4 TOP PLATE OR BOTTOM PLATE
- 7x11 6x STEEL BRACE WELDED TO PERIMETER FRAME AND FLOOR JOIST.
- 10/25/10x3 1/2"x10 6x CHANNEL @ GABLE ROOF 1" 10/25/10x5 1/2"x10 6x CHANNEL @ MONO SLOPE
- 7x11 6x PERIMETER FRAME
- 4x4 1/2" STIFFENER
- GABLE ROOF: 18x3 1/2"x10 6x CHANNEL ROOF HDR. EA. END MONO SLOPE; 26x3 1/2"x10 6x CHANNEL ROOF HDR. @ FRONT AND 18x3 1/2"x10 6x CHANNEL ROOF HDR. @ REAR.
- 7x11 6x FLOOR JOIST.
- 10d NAIL @ 8" O.C.
- STEEL COLUMN - 3 1/2"x5 1/2"x1/4" TUBE AT 80" O.C. AND 3/8"x3/8"x1/4" TUBE AT 10" O.C.
- 1/4" CAP PLATE
- 3/16" FULL HEIGHT STIFFENER @ 4'-0" O.C.
- NOT USED
- 5/8" MACHINE BOLT @ MODULE CONNECTION - SEE SHT. 54.0 OR 54.1 "STRUCTURAL SIDE" FOR ELEVATIONS.
- 3 1/2"x3 1/2"x1/4" LONG TUBE AT ROOF @ 80" O.C. 3 1/2"x3 1/2"x1/4" LONG TUBE AT FLOOR @ 80" O.C. 3/8"x3/8"x1/4" LONG TUBE AT ROOF @ 10" O.C. 3/8"x3/8"x1/4" LONG TUBE AT FLOOR @ 10" O.C.
- 1/2" MACHINE BOLT W/ WASHER @ 24" O.C. MIN.
- 1/2" MACHINE BOLT @ 24" O.C. MIN.
- CHANNEL FRAME - GRIND WELDS ON EXPOSED FACES SMOOTH.
- AT MODULE JOINT TAKE PLYWOOD TO EDGE OF CHANNEL. AT PERIMETER HOLD PLYWOOD BACK AS INDICATED.
- WELD WASHER - 1-5/8"x 5/8" WITH 1/8" HOLE. WELD TO UPPER CHANNEL FLANGE
- NOT USED
- 8"x14 6x ROOF JOIST
- 1/4" PLATE FITTED INSIDE TUBE COLUMN AND WELDED IN PLACE.
- 5" DIA. HOLE AT BOLT LOCATION
- 1" 10"x10x6 HDR. @ PERIM. OF ROOF OVERHANG.
- NOT USED.
- CONTINUOUS WOOD GANT STRIP. EXTEND ROOFING TO TOP OF GANT STRIP.
- GALVANIZED METAL FLASHING.
- ROOFING MATERIAL - SEE SHT. 9.I
- MINERAL SURFACE GAP SHEET 1/2" WIDE SET IN COLD PROCESS CEMENT. NAIL AS REQUIRED. SPOT COAT NAIL HEADS.
- FIBERSLASS BASE 1/2" WIDE. NAIL EDGES 12" O.C.
- 7x14 6x ALT. FLOOR JOIST

NOTE: USE 4" x 4" x 1/4" TUBE STEEL WHEN PARAPET AND HVAC OPTION

IDENTIFICATION STAMP
DIV. OF THE STATE ARCHITECT
04 115 204
ACS / FLS / SS / RAE
DATE APR 11 2016

IDENTIFICATION STAMP
DIV. OF THE STATE ARCHITECT
03 117 375
ACS / FLS / SS / RAE
DATE JUL 27 2016

D.S.A.
IDENTIFICATION STAMP
DIV. OF THE STATE ARCHITECT
OFFICE OF INSULATION SERVICES
04 - 101055
DATE JUN 29 1977

D.S.A.
PORTION
DATE JUN 29 1977

STRUCT. ENGINEER
PORTION
DATE JUN 29 1977

ARCHITECT
DATE JUN 29 1977

CHANGE ORDER

CHECKED BY

JUFORA MODULAR INDUSTRIES
10833 Kromville Ave., Riverside, CA 92504
Phone (951) 778-0215
Fax (951) 778-0215

STRUCTURAL
DETAILS AND
NOTES
(WOOD STUDS)
(PLYWOOD ROOF)

SHEET
56.0