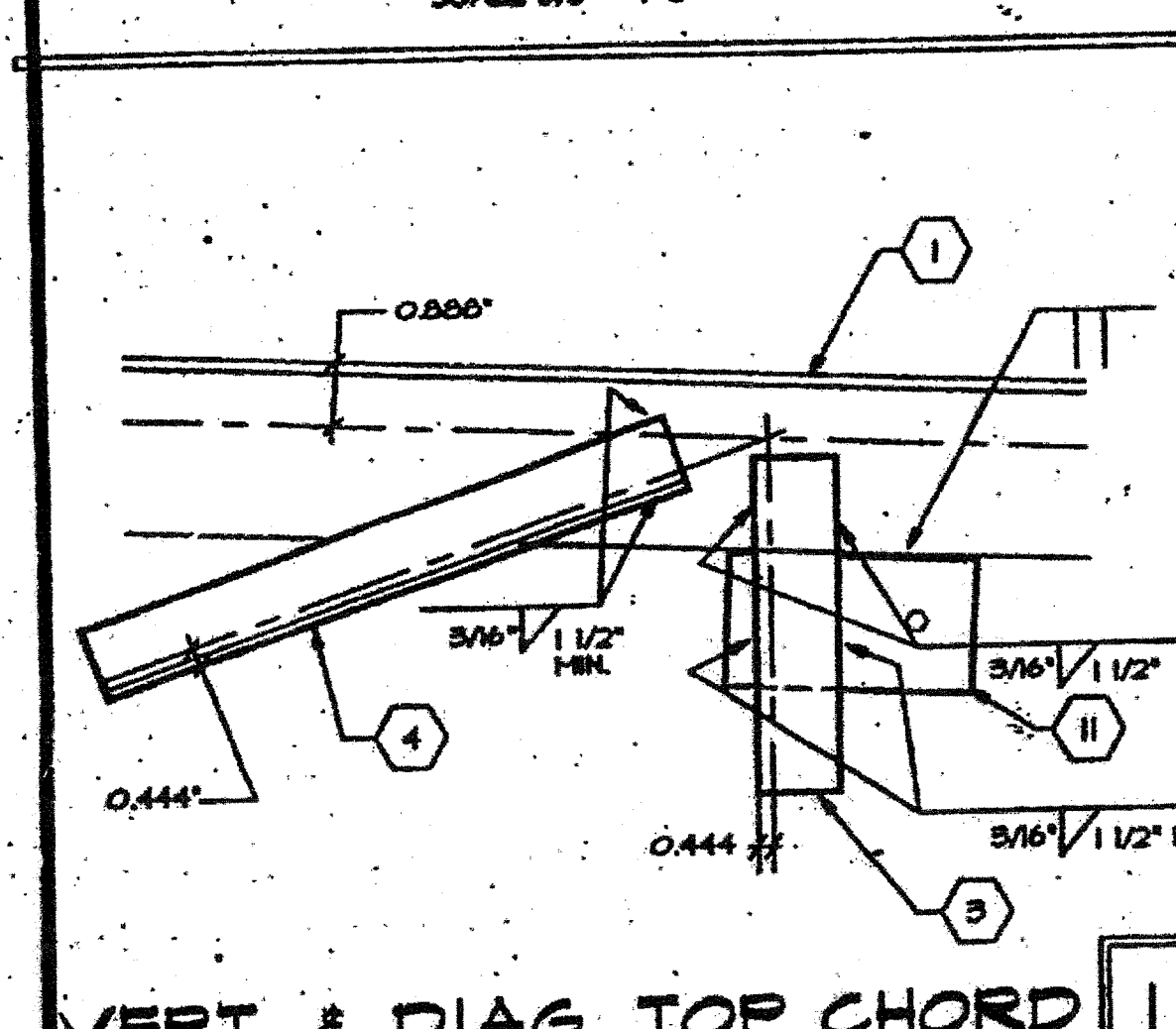
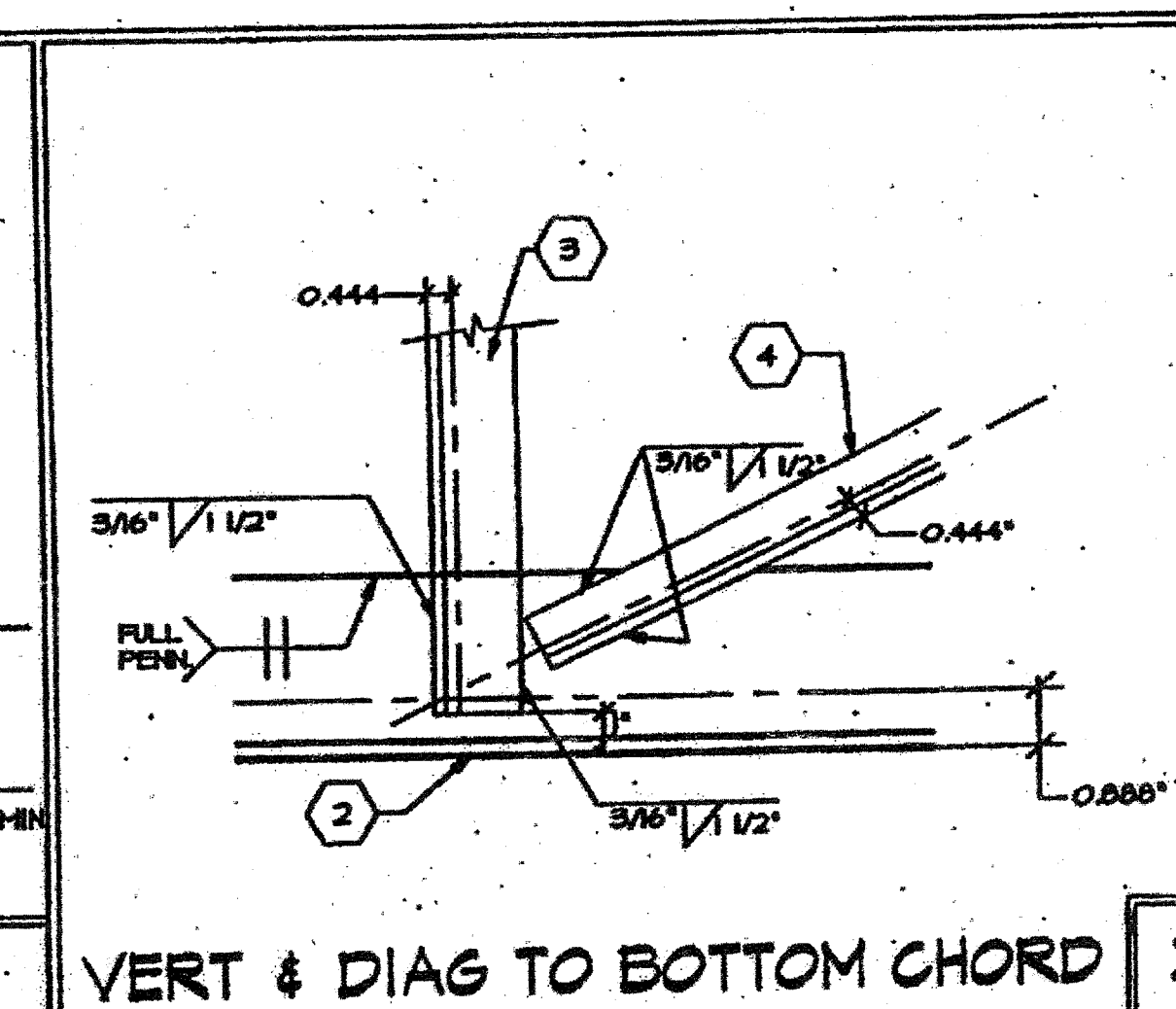


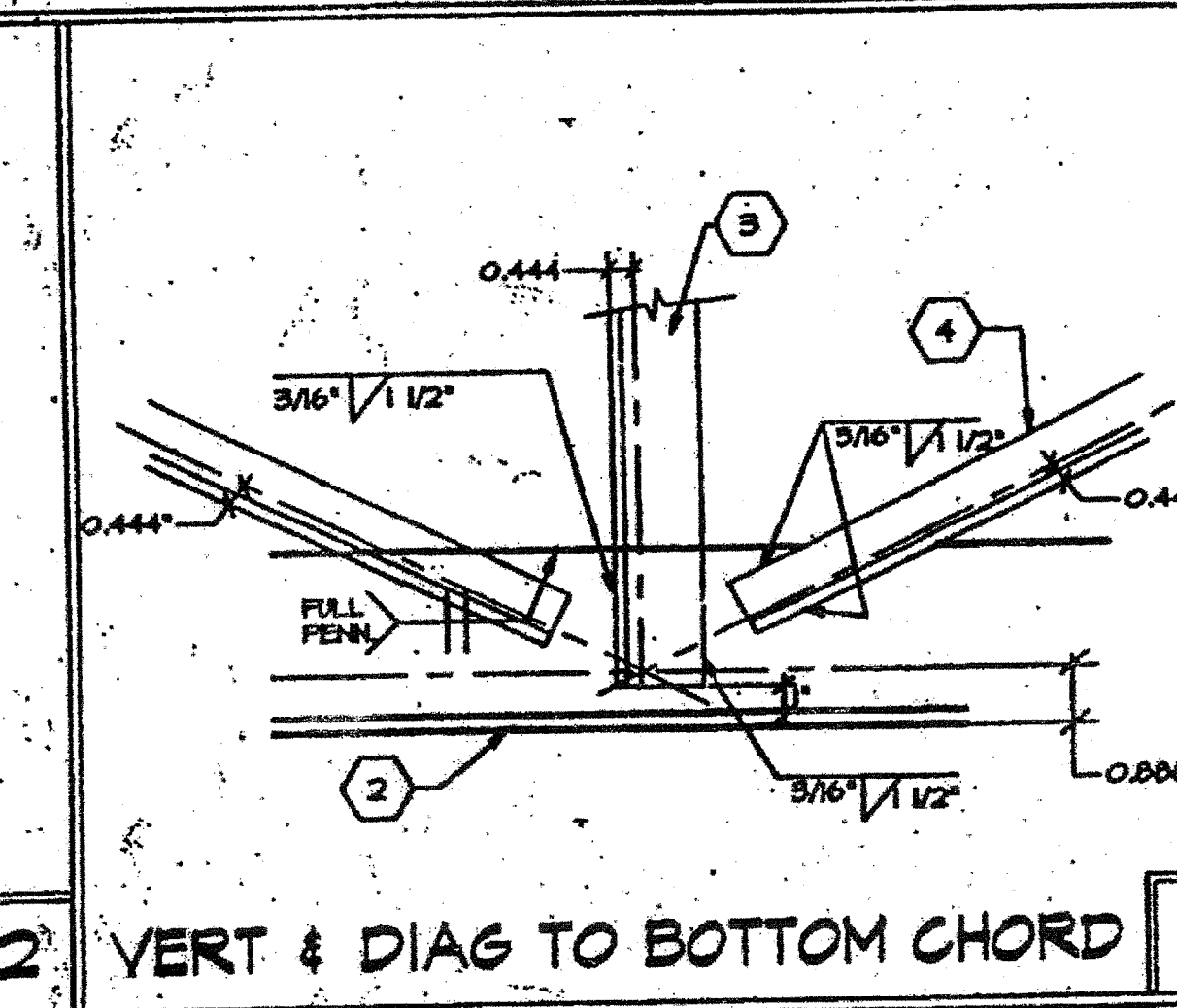
- KEYNOTES**
- 2x 3/8x3/8" TOP CHORD.
 - 2x 3/8x3/8" 1/2" CHAMFER AT MIDPOINT.
 - 2x 1 1/2x1 1/2x3/8" VERTICAL MEMBER TYP.
 - 2x 1 1/2x1 1/2x3/8" DIAGONAL MEMBER TYP.
 - NOT USED
 - NOT USED
 - 1/4" CAP PLATE
 - TS 3/8x3/8x3/8" STEEL TUBE @ 10' C.
 - TS 3/8x3/8x3/8" STEEL TUBE @ 80' C.
 - TS 4" X 4" X 1/4" ALTERNATE TUBE STEEL USE WITH PARAPET AND HVAC SCREEN OPTIONS.
 - 3/8x3/8 1/2" PLATE WITH 1/16" HOLE FOR 5/8" MACHINE BOLT LOCATE PLATES @ 8'-0" O.C. FOR MODULE CONNECTION. SEE DETAIL 8.
 - NOT USED
 - 5/8" MACHINE BOLT FOR MODULE CONNECTION
 - NOT USED
 - TS COLUMN OR 8x8 COLUMN. SEE NOTE 8, 9, 10.
 - ROOF JOIST - SEE NOTE 5 SHEET 541
 - 1 1/2x1 1/2x3/8" BRACE @ 8'-0" O.C.
 - 2x 2x 2x 1/4" END DIAGONAL W/ MIN. 4" OF 3/8" FILLET WELD EACH END @ 80' C.
 - 3/8" PLATE FITTED INSIDE TUBE COL. & HELDED IN PLACE TO COLUMN W/ 3/8" FILLET WELD THO SIDES
 - 2x 1 1/2x1 1/2x3/8" DIAGONAL W/ MIN. 4" OF 3/8" FILLET WELD EA. END @ 10' C.
 - TS 4.5 LB PER-METER FLOOR FRAME.
 - 5/8" MACHINE BOLT @ MOD. CONNECTION SEE DETAIL 13 SHEET 56.0 OR 56.1



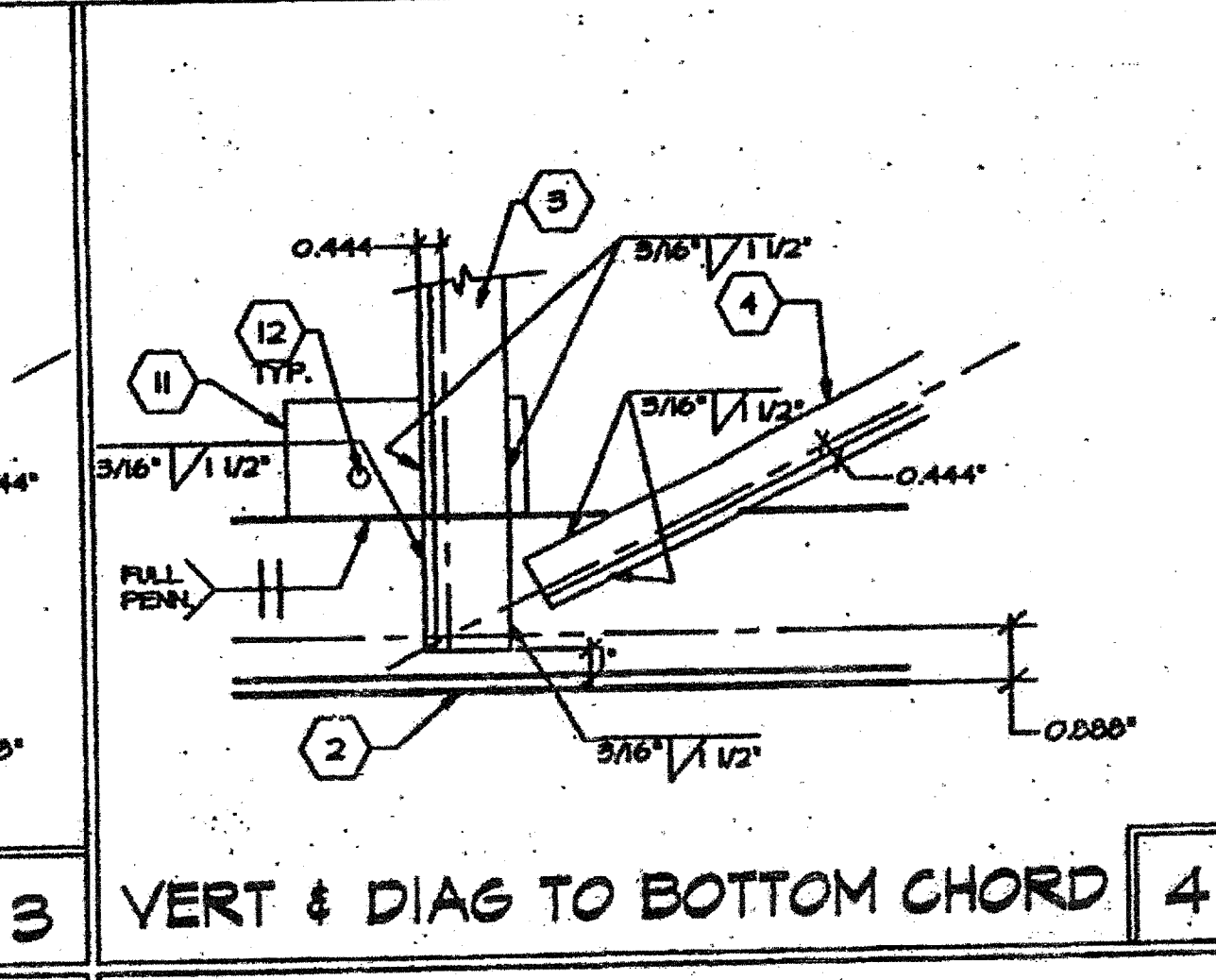
VERT. & DIAG. TOP CHORD 1



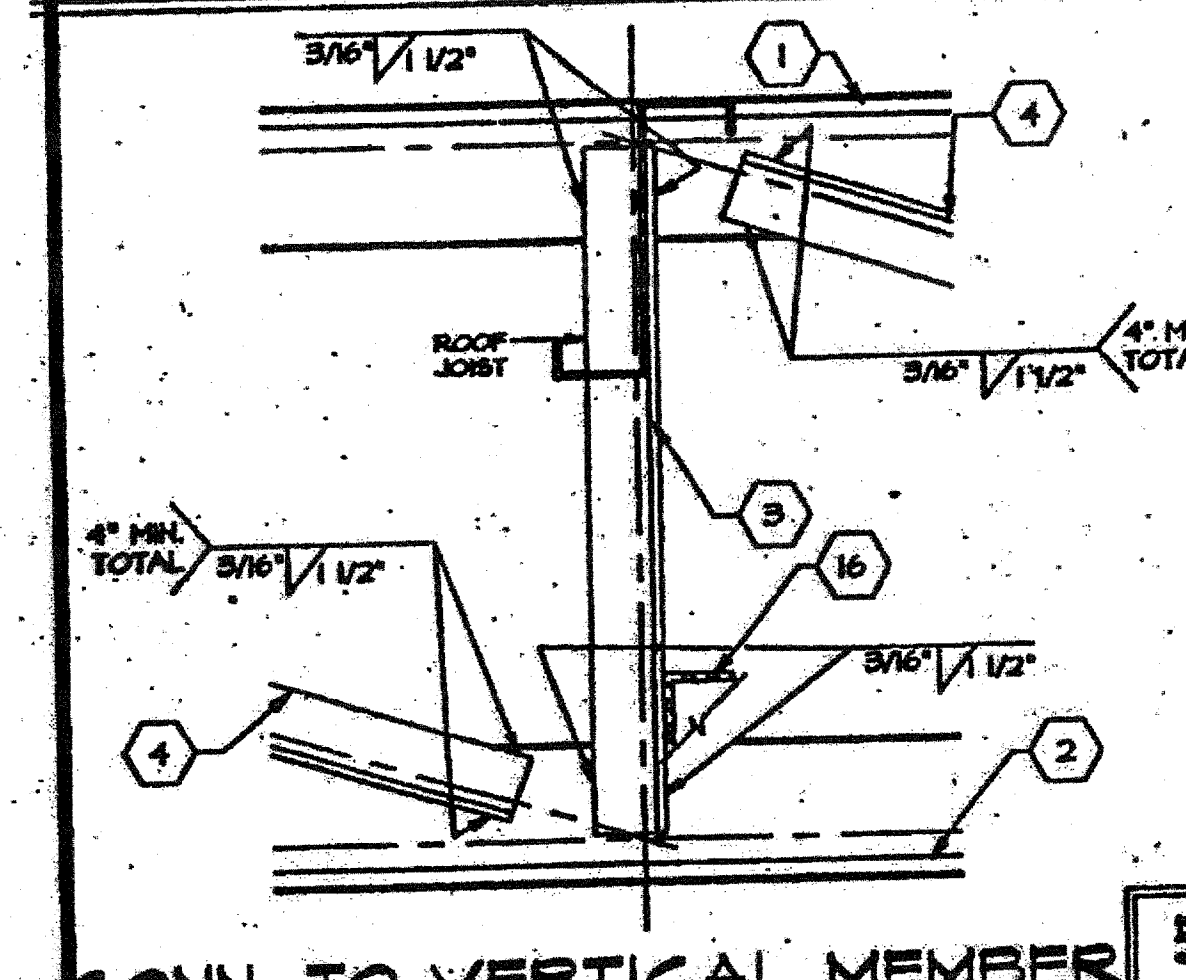
VERT & DIAG TO BOTTOM CHORD 2



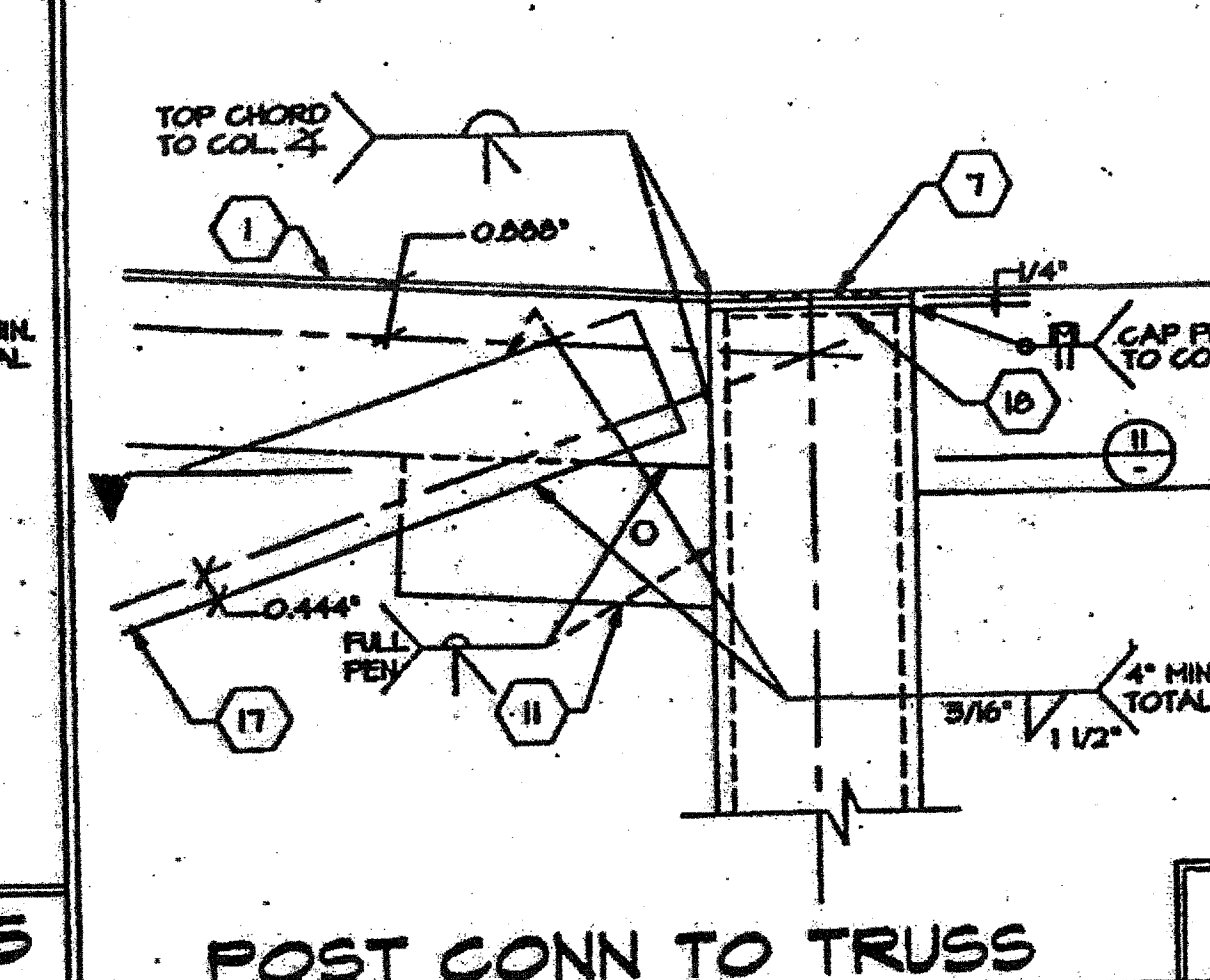
VERT & DIAG TO BOTTOM CHORD 3



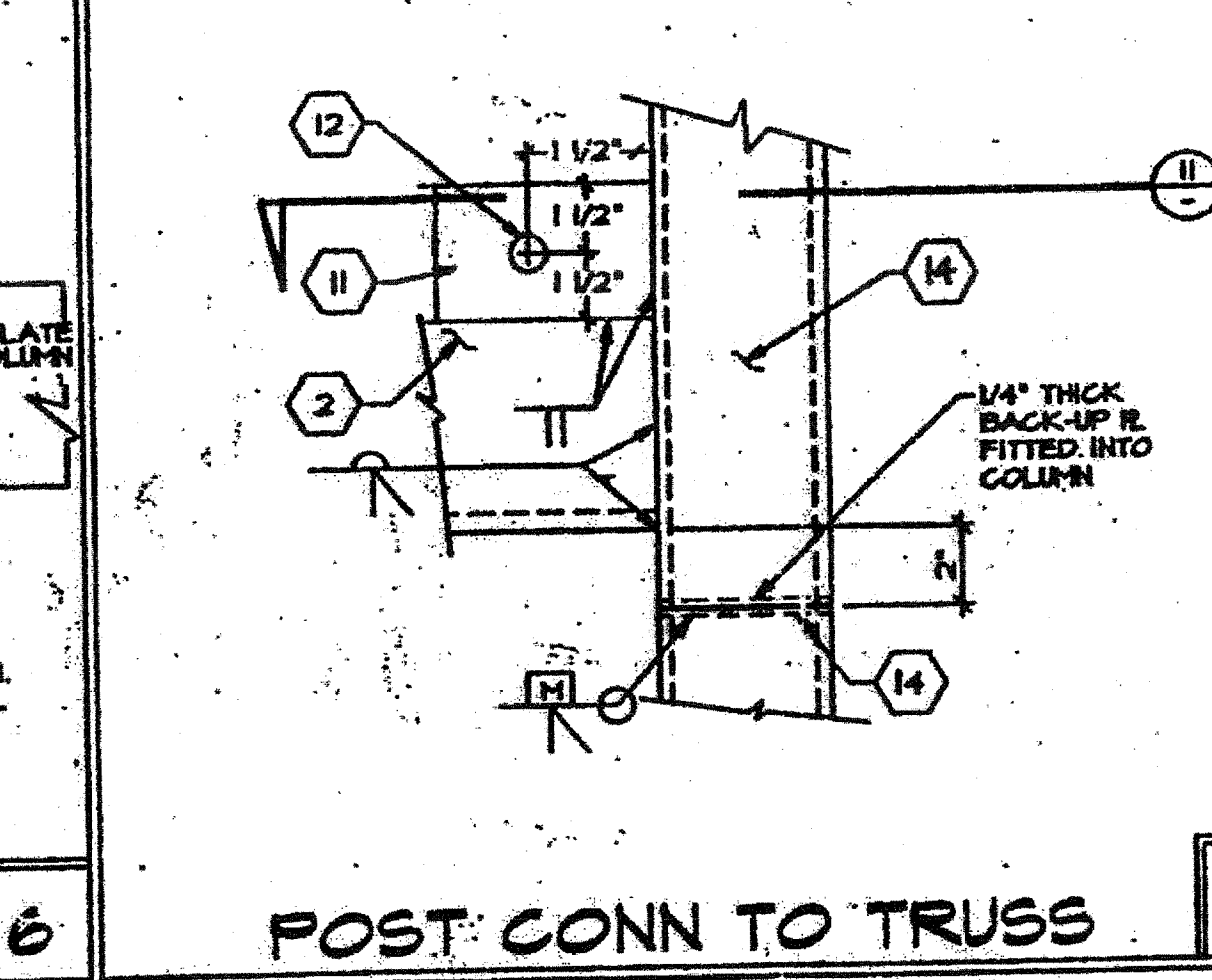
VERT & DIAG TO BOTTOM CHORD 4



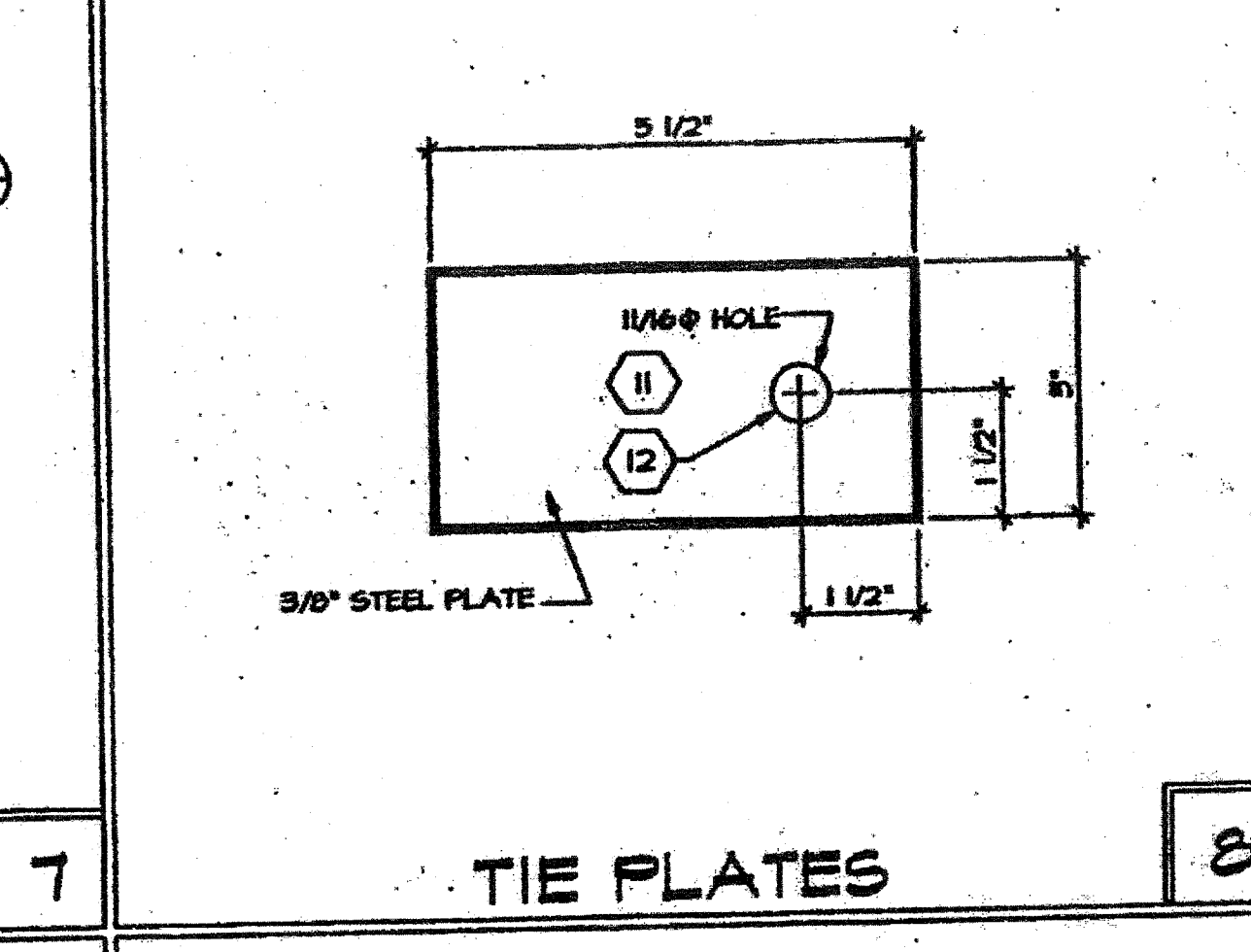
CONN. TO VERTICAL MEMBER 5



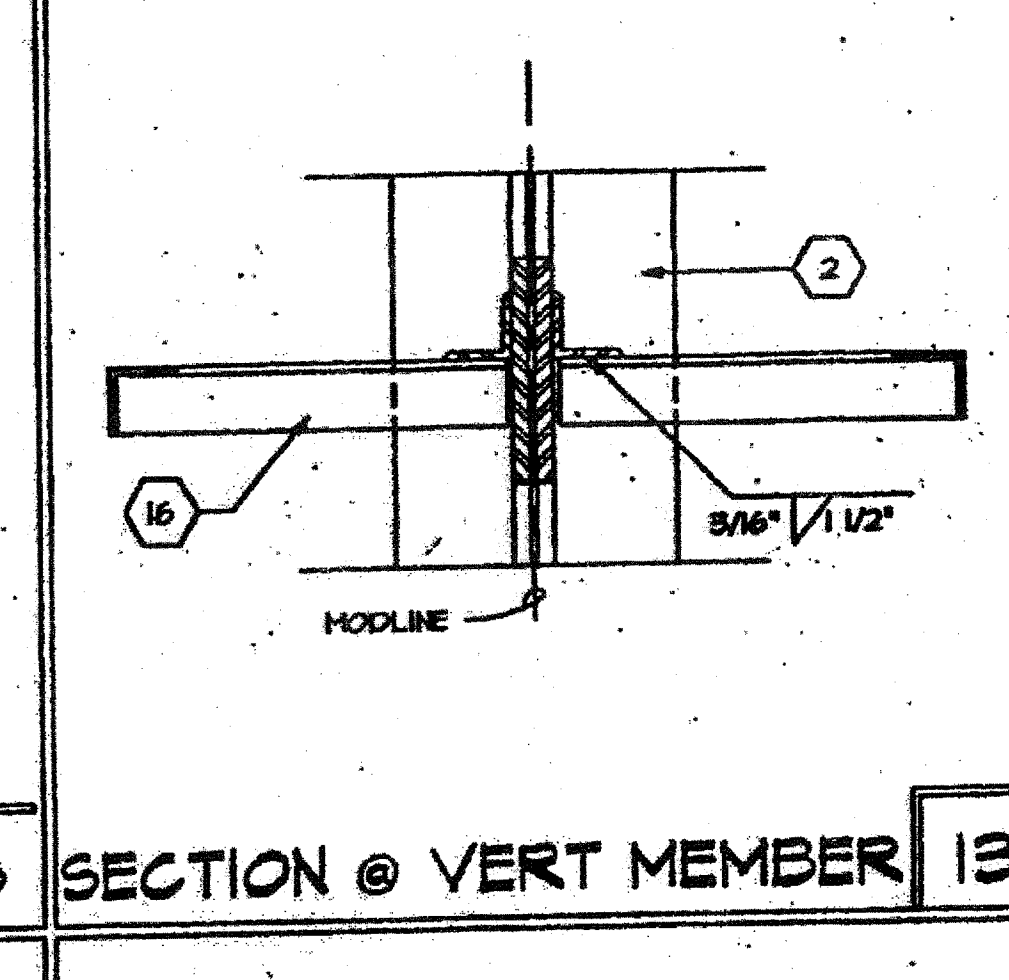
POST CONN TO TRUSS 6



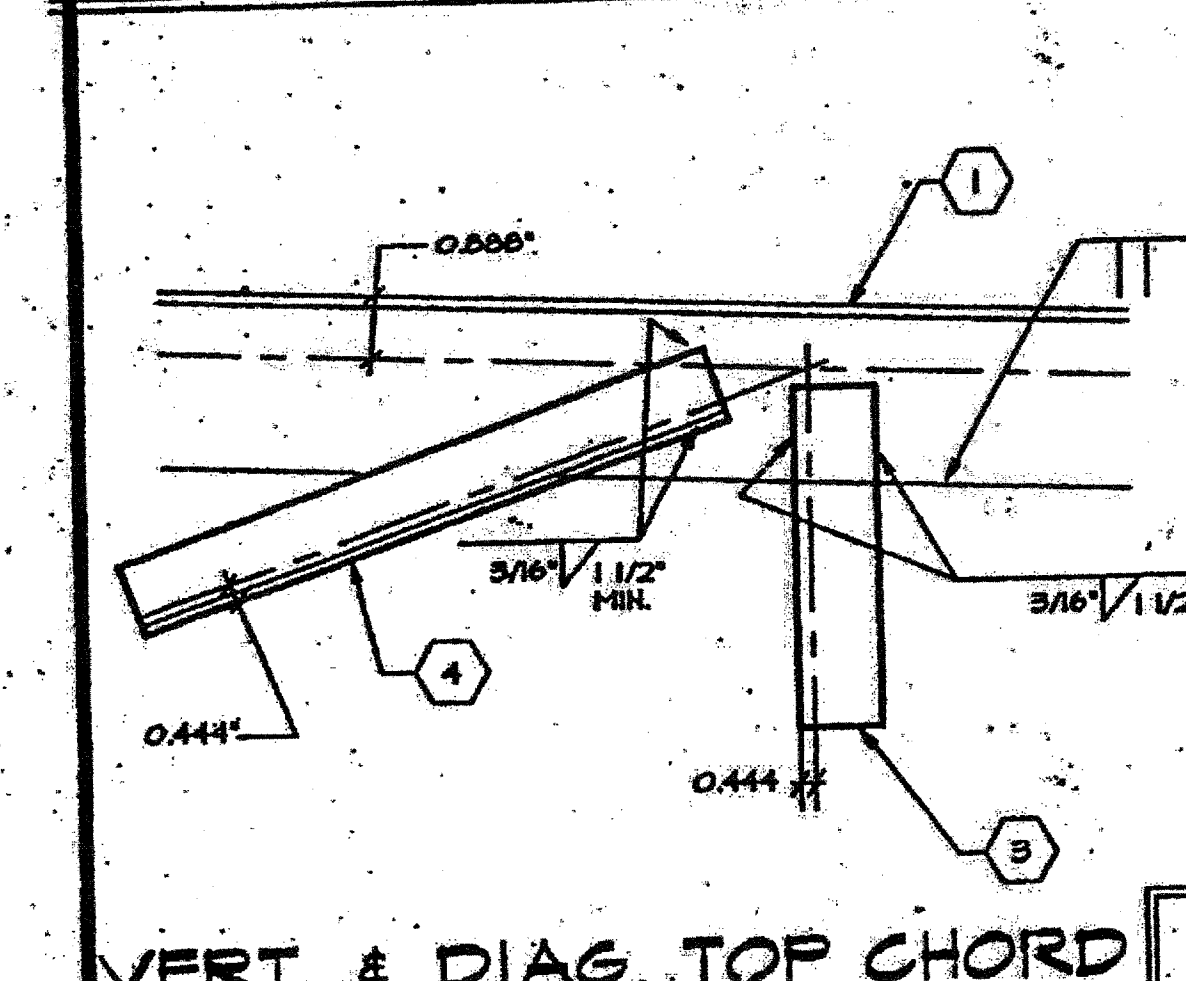
POST CONN TO TRUSS 7



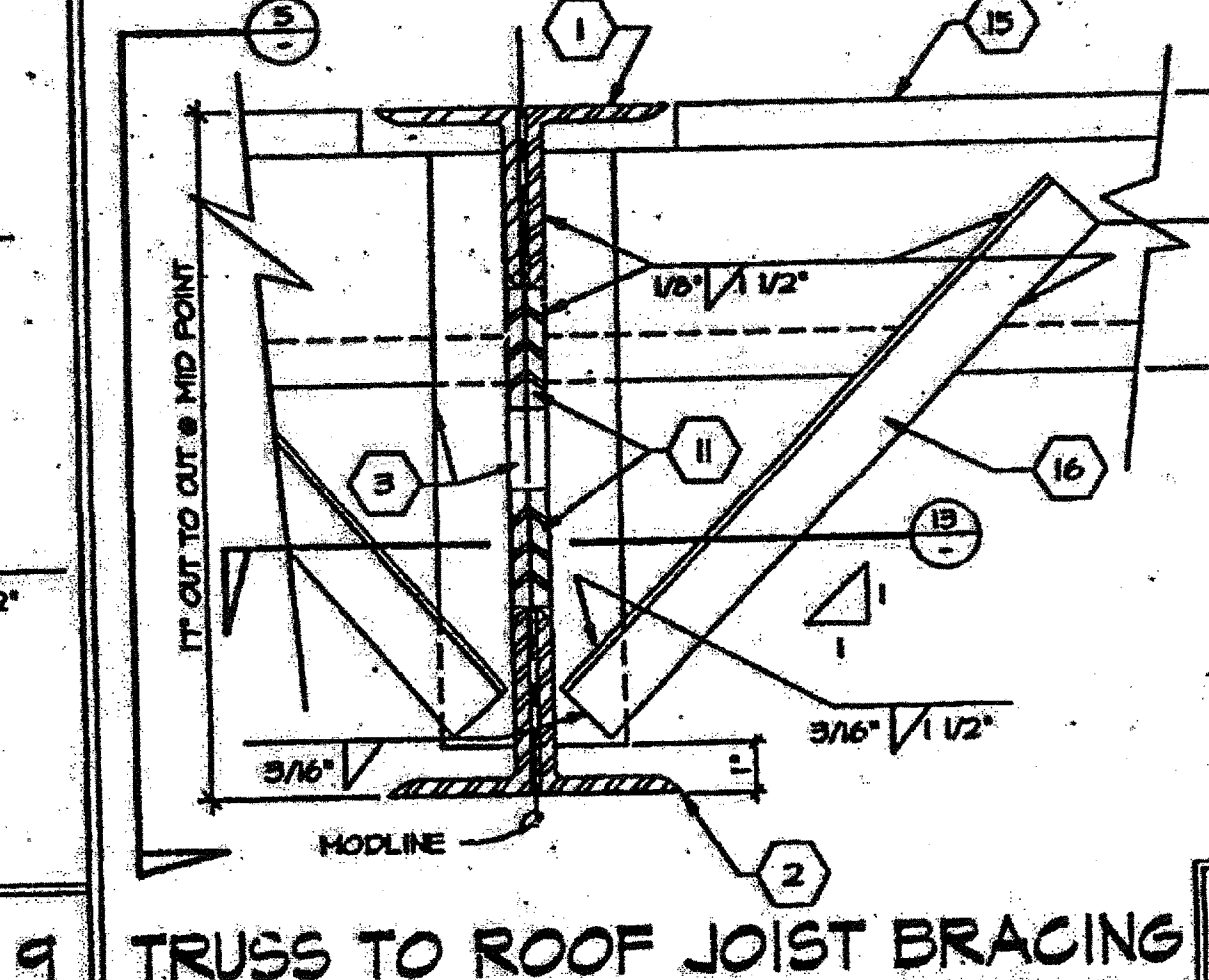
TIE PLATES 8



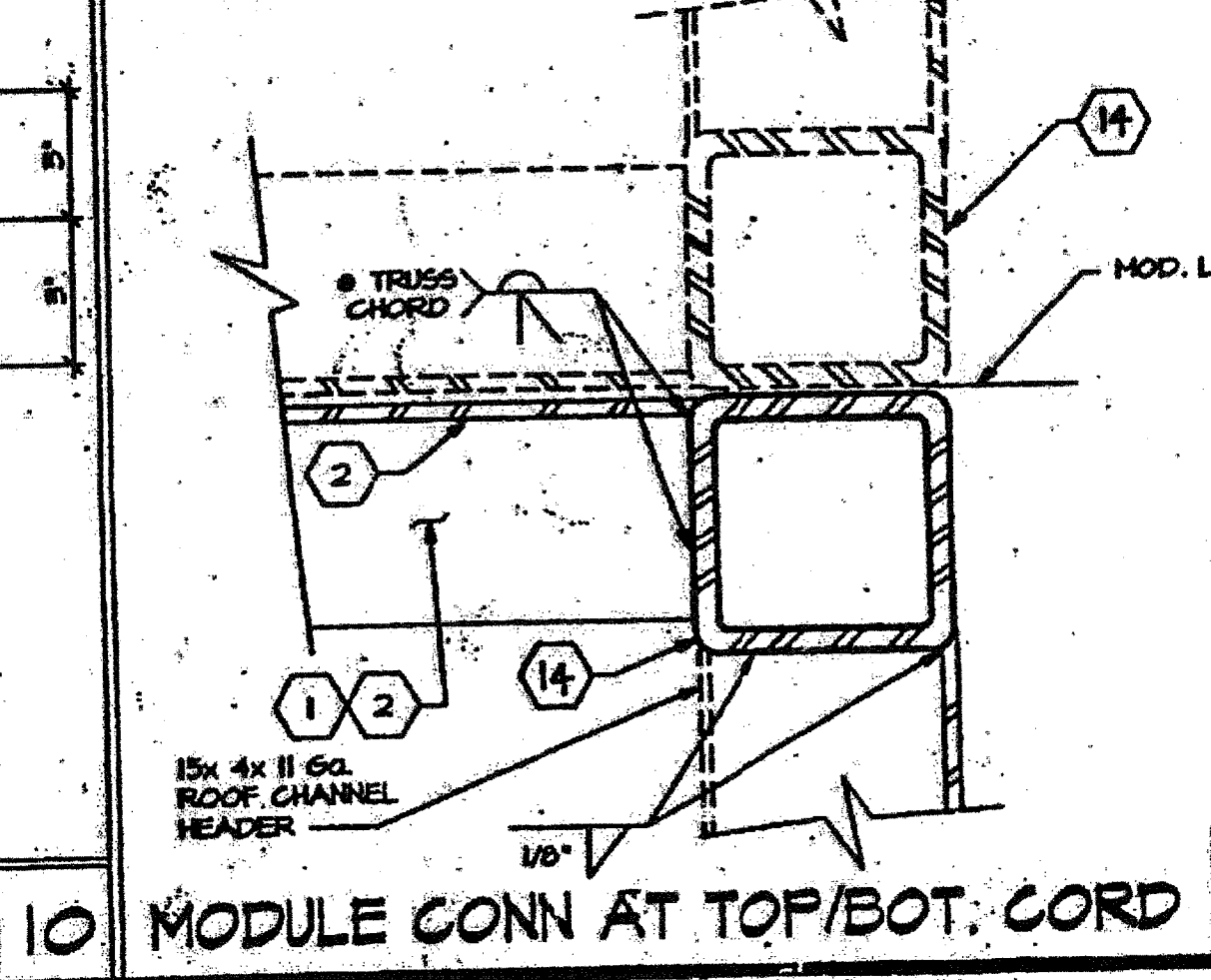
SECTION @ VERT MEMBER 9



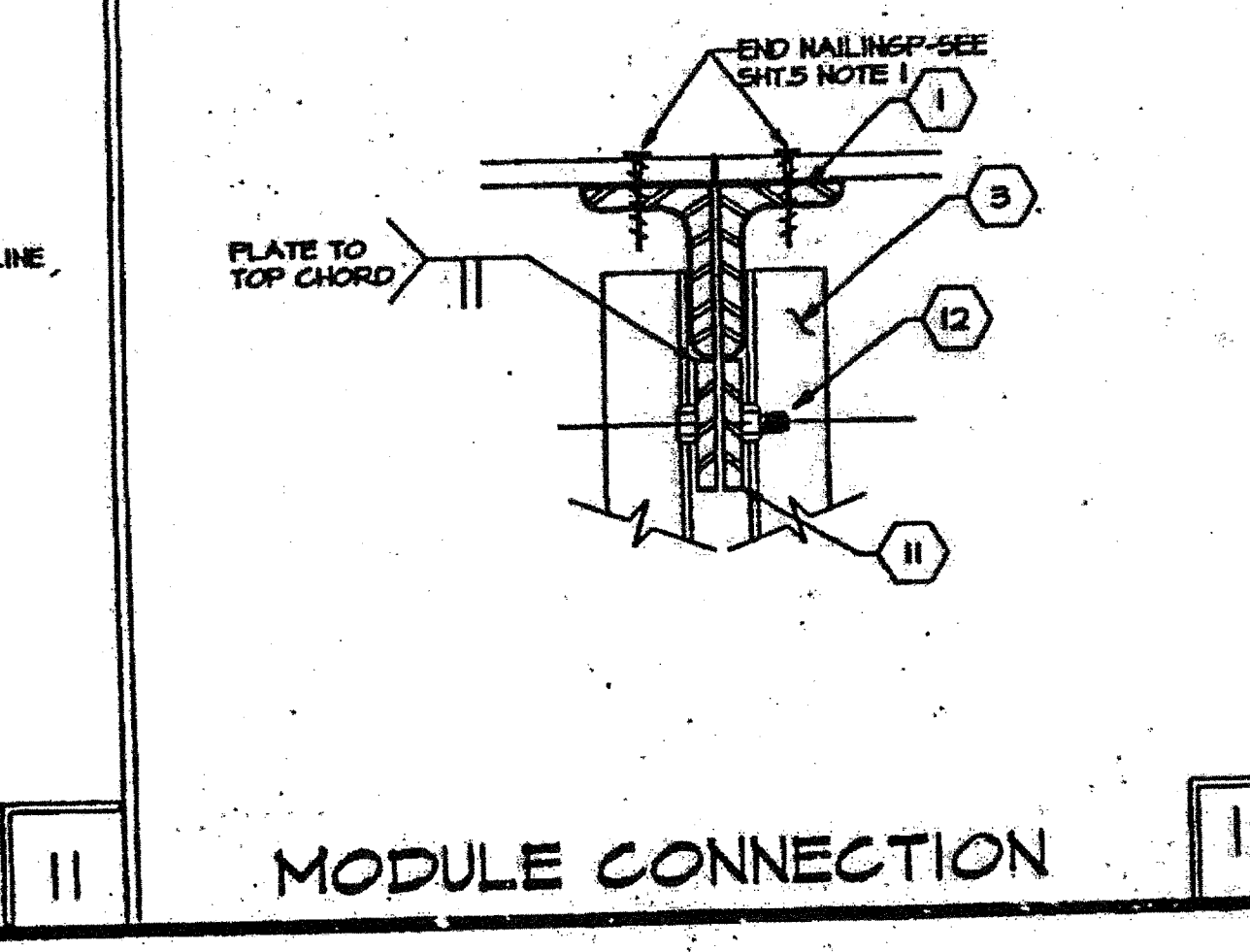
VERT. & DIAG. TOP CHORD 10



TRUSS TO ROOF JOIST BRACINGS 11



MODULE CONN AT TOP/BOT. CORD 12



MODULE CONNECTION 13

IDENTIFICATION STAMP
DIV. OF THE STATE ARCHITECT
04 115204
ACS FLS SS RAE
DATE APR 11 2016

IDENTIFICATION STAMP
DIV. OF THE STATE ARCHITECT
A 03117375
ACS FLS SS RAE
DATE JUL 27 2016

D.S.A.

IDENTIFICATION STAMP
DIV. OF THE STATE ARCHITECT
OFFICE OF REGULATION SERVICES
04-101055
DATE JUN 29 2009

D.S.A.

PORTION 1

STRUCT. ENGINEER

ARCHITECT

CHANGE ORDER

CHECKED BY

TURORA MODULAR INDUSTRIES

16833 Warwick Ave., Riverside, CA 92504
Phone (951) 789-7789
Fax (951) 789-0225

MONO SLOPE STEEL TRUSS SECTION AND DETAILS

SHEET

SS