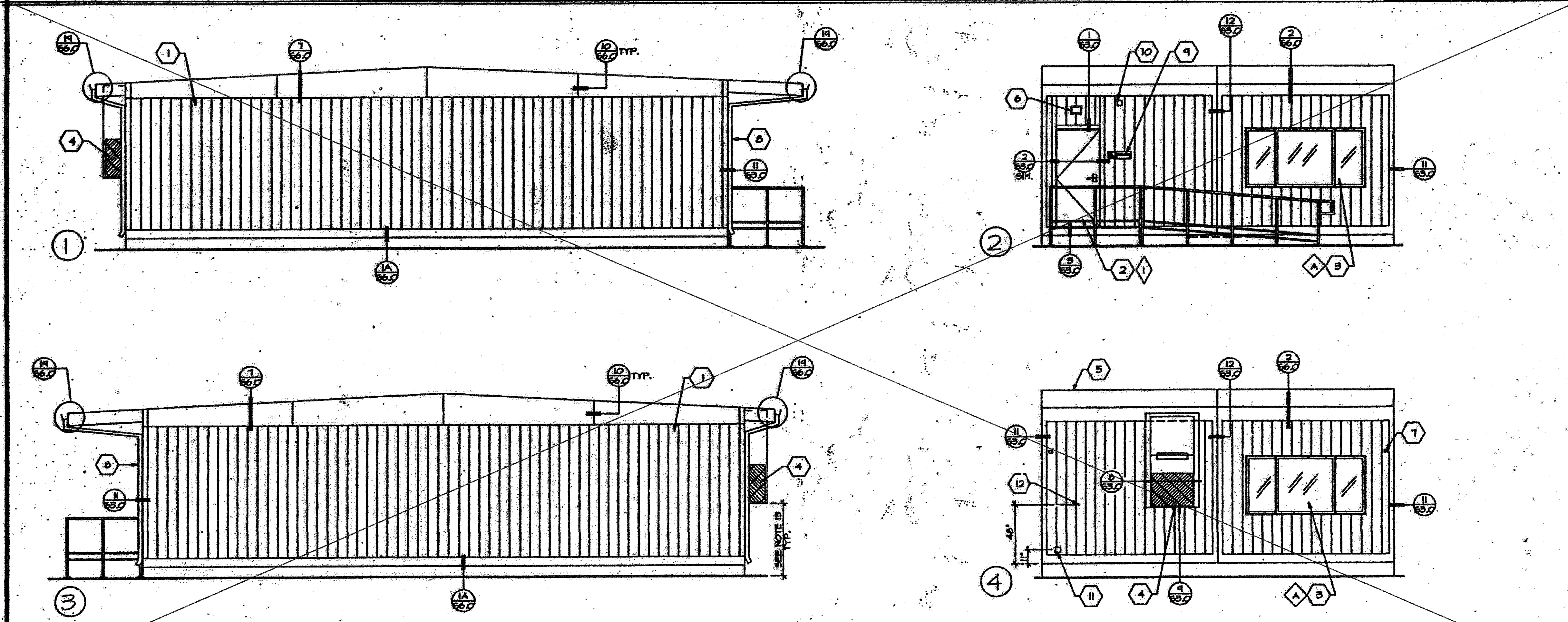


**EXTERIOR ELEVATIONS (MONO SLOPE) 24x40**  
SCALE 1/4" = 1'-0"



**EXTERIOR ELEVATIONS (GABLE) 24x40**  
SCALE 1/4" = 1'-0"  
NOTE: SEE ALT-01 FOR ACTUAL LAY-OUT / CONFIGURATION

- KEYNOTES**
- 1 TYPICAL EXTERIOR FINISH- SEE SHEET 4J
  - 2 EXTERIOR DOOR- SEE SHEET 4J
  - 3 ALUMINUM SLIDER WINDOW- SEE SHEET 4J
  - 4 WALL MOUNTED ELECTRIC HEAT PUMP- SEE SHEET 4.0 OF MECHANICAL PLANS
  - 5 ROOFING- SHEET 4J
  - 6 EXTERIOR LIGHT MOUNTED ABOVE DOOR- SEE SHEET E1.0
  - 7 METAL TAG ON ALL MODULES MECHANICALLY ATTACHED TO EXTERIOR OF REAR FRAME @ 8'-0" AFF. SHOWING ISA APP. #, MANUFACTURERS NAME AND UNIT SERIAL NUMBER.
  - 8 26 ga. DOWNSPOUT.
  - 9 ACCESS SIGN (SEE DETAIL 14 SHEET S5.0) (NOT BY PORTABLE MANUFACTURER)
  - 10 FIRE ALARM HORN OR BELL LOCATED @ 8'-6" ON THE EXTERIOR. CONDUIT TO BE STUBBED INTO ATTIC SPACE ONLY.
  - 11 JUNCTION BOX FOR FIRE ALARM- SEE SHEET E1.0
  - 12 ELECTRICAL POINT OF CONNECTION
  - 13 IF HVAC UNIT IS LOCATED IN ANY PATH OF TRAVEL, PROVIDE PROTECTION FROM OVERHEAD HAZARD IF DIMENSION IS GREATER THAN 21" AFF.

**CBC 1998**  
**PC**

**D.S.A.**  
IDENTIFICATION STAMP  
DIV. OF THE STATE ARCHITECT  
OFFICE OF REGULATION SERVICES  
04 - 101055  
DATE JUL 27 2016

**D.S.A.**  
PORTION 1  
IDENTIFICATION STAMP  
DIV. OF THE STATE ARCHITECT  
DATE JUL 27 2016

**STRUCT. ENGINEER**  
PROFESSIONAL SEAL  
LUCAS ESPINOSA  
ARCHITECT

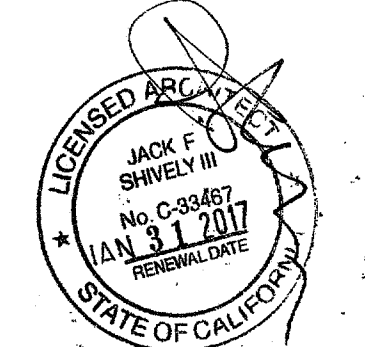
**CHANGE ORDER**

**CHECKED BY**

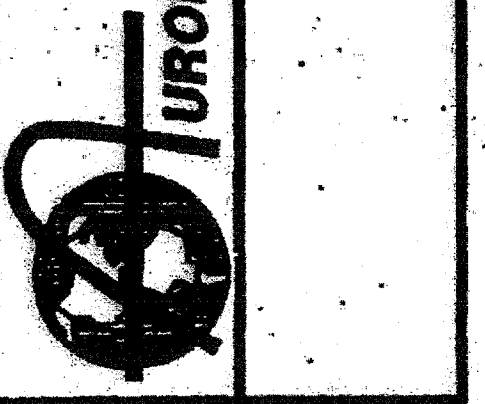
NOTE:  
RAMPS NEEDED ACCORDINGLY TO SITE CONDITIONS. STANDARD RAMP DESIGN SHOWN FOR REFERENCE ONLY- SEE RAMP SHEETS FOR ALTERNATE RAMP DESIGN.

IDENTIFICATION STAMP  
DIV. OF THE STATE ARCHITECT  
A 03 117375  
AC MFLS SS BY  
Date JUL 27 2016

IDENTIFICATION STAMP  
DIV. OF THE STATE ARCHITECT  
04 115204  
AC RFLS SS RAE  
DATE APR 13 2016



1833 Ecumene Ave., Norwalk, CA 92504  
Phone (909) 216-7116  
Fax (909) 762-0153  
**TURORA MODULAR INDUSTRIES**



**EXTERIOR ELEVATIONS (24x40)**

**A2.0**  
SHEET