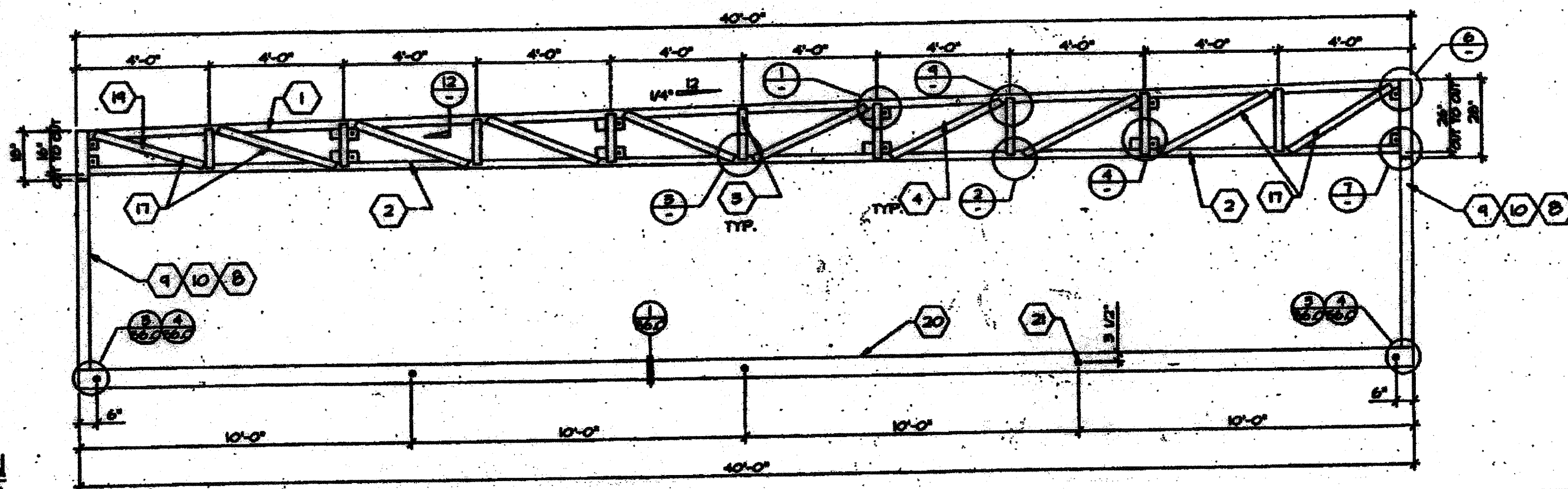


TRUSS ELEVATION
SCALE 3/8" = 1'-0"



KEYNOTES

1. 2x 3/8x3/8" TOP CHORD.
2. 2x 3/8x3/8" 1/2" CHAMFER AT MIDPOINT.
3. 2x 1 1/2x 1/2x 3/8" VERTICAL MEMBER.
4. 2x 1 1/2x 1 1/2x 3/8" DIAGONAL MEMBER TYP.
5. NOT USED.
6. NOT USED.
7. 1/4" GAP PLATE.
8. 7/8x 3/8x 3/8" 3/4" STEEL TUBE 4 TO 6".
9. 7/8x 3/8x 3/8" 1/2" STEEL TUBE 8 TO 6".
10. 7/8x 3/8x 3/8" 1/2" STEEL TUBE 8 TO 6".
11. 7/8x 3/8x 3/8" 1/2" ALTERNATE TUBE STEEL. USE WITH PARAPET AND W/AC SCREEN OPTIONS.
12. 3/8x 3/8x 1/2" PLATE WITH 1 1/8" HOLE FOR 3/8" MACHINE BOLT. LOCATE PLATES @ 8'-0" O.C. FOR MODULE CONNECTION. SEE DETAIL 8.
13. 3/8" MACHINE BOLT FOR MODULE CONNECTION.
14. NOT USED.
15. TO COLUMN OR SPIRE COLUMN. SEE LOTS 8, 9, 10.
16. ROOF JOIST - SEE NOTE 3 SHEET 541.
17. 1 1/2x 1 1/2x 3/8" BRACE @ 8'-0" O.C.
18. 2x 2x 1/4" END DIAGONAL W/ MIN. 4" OF 3/8" FILLET WELD EACH END @ 80 °C.
19. 3/8" PLATE FITTED INSIDE TUBE COL. & WELDED IN PLACE TO COLUMN W/ 3/8" FILLET WELD THRO SIDES.
20. 2x 1 1/2x 1 1/2x 3/8" DIAGONAL W/ MIN. 4" OF 3/8" FILLET WELD EA. END @ 70 °C.
21. 2x 1 1/2x 3/8" PERIMETER FLOOR FRAME.
22. 3/8" MACHINE BOLT @ MOD. CONNECTION SEE DETAIL 13 SHEET 560 OR 561.

CBC 1998

PC

D.S.A.
DIVISION OF THE STATE ARCHITECT
OFFICE OF RECORDS AND PERMITS
04-101055

D.S.A.
PORTION 1
CONTRACTOR STAMP
PART 105678

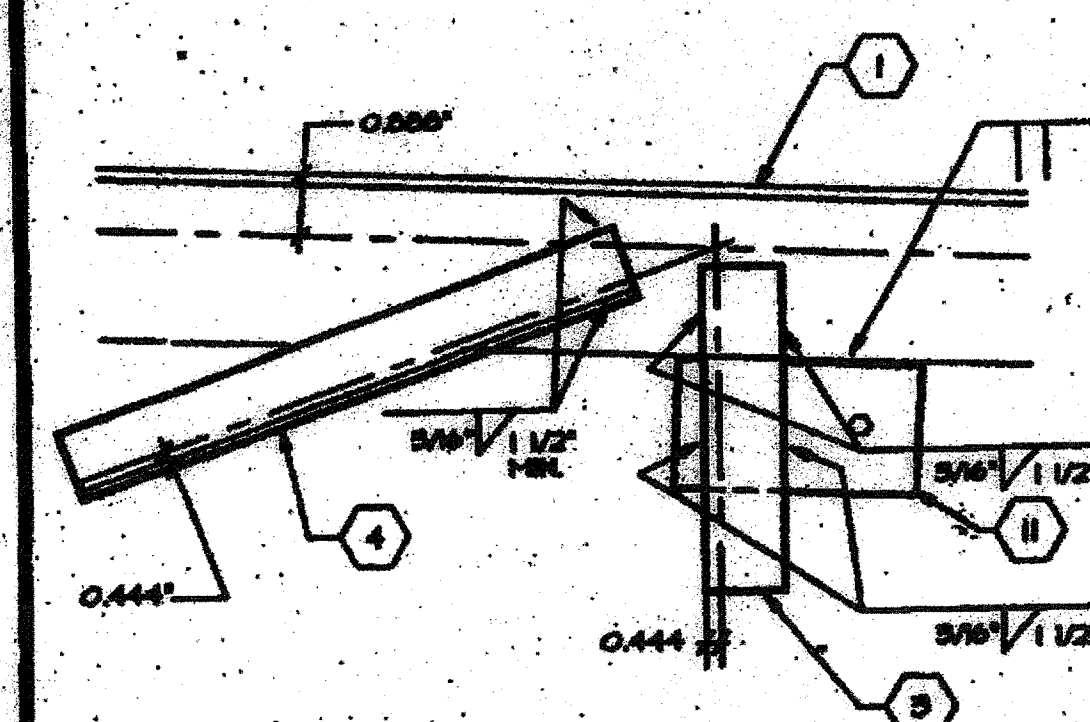
STRUCT. ENGINEER
LICENSED PROFESSIONAL ENGINEER
NO. 10220

ARCHITECT

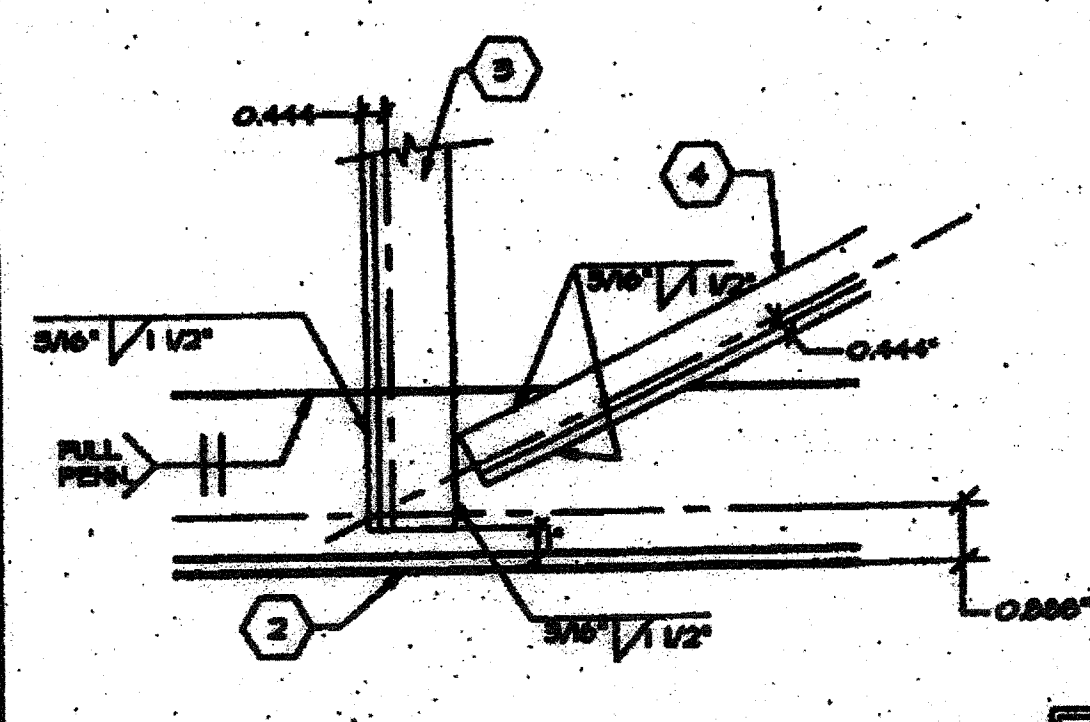
CHANGE ORDER

CHECKED BY

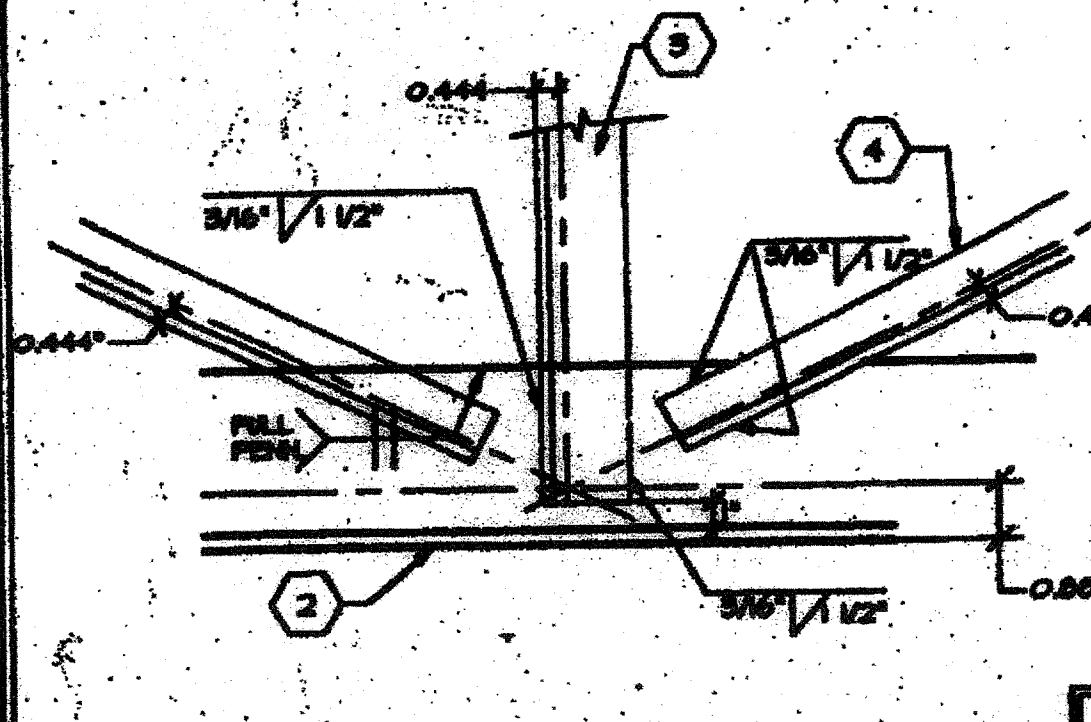
VERT. & DIAG. TOP CHORD 1



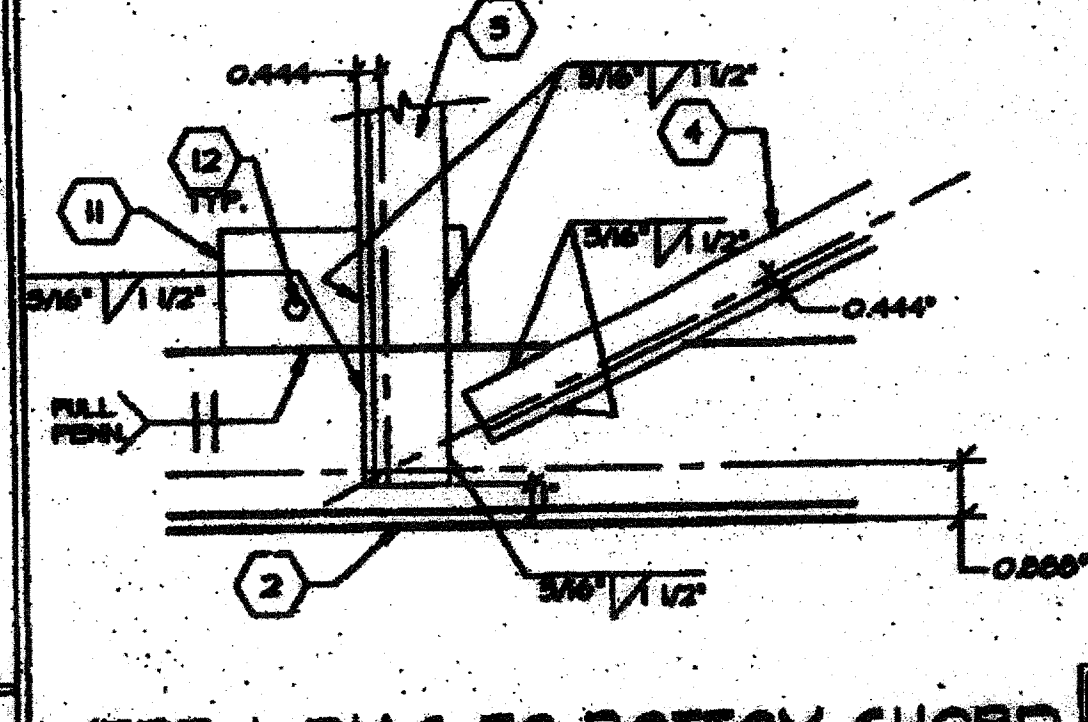
VERT. & DIAG TO BOTTOM CHORD 2



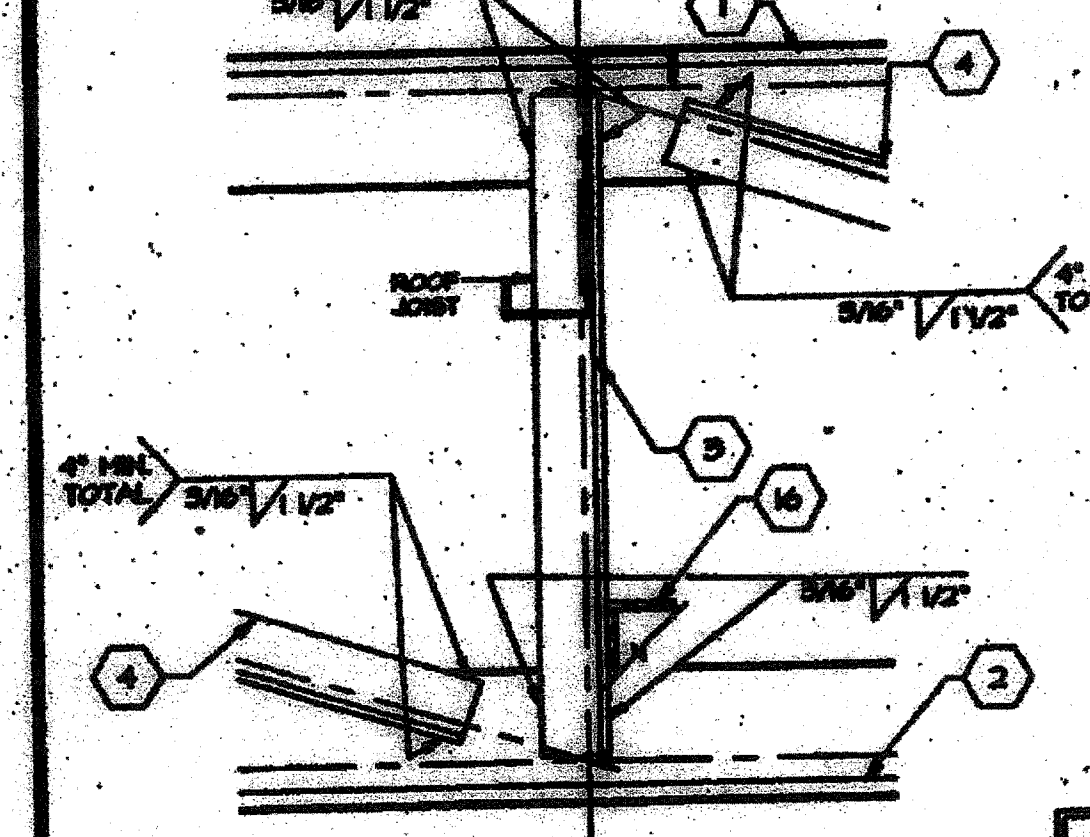
VERT. & DIAG TO BOTTOM CHORD 3



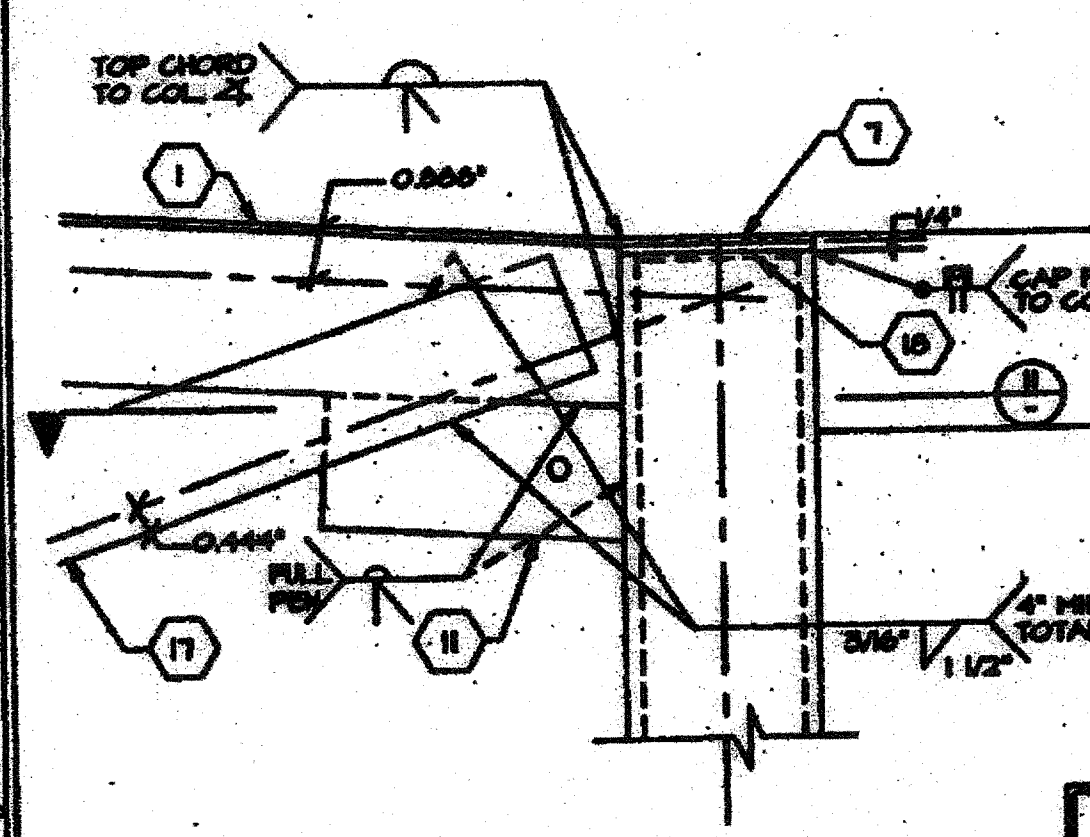
VERT. & DIAG TO BOTTOM CHORD 4



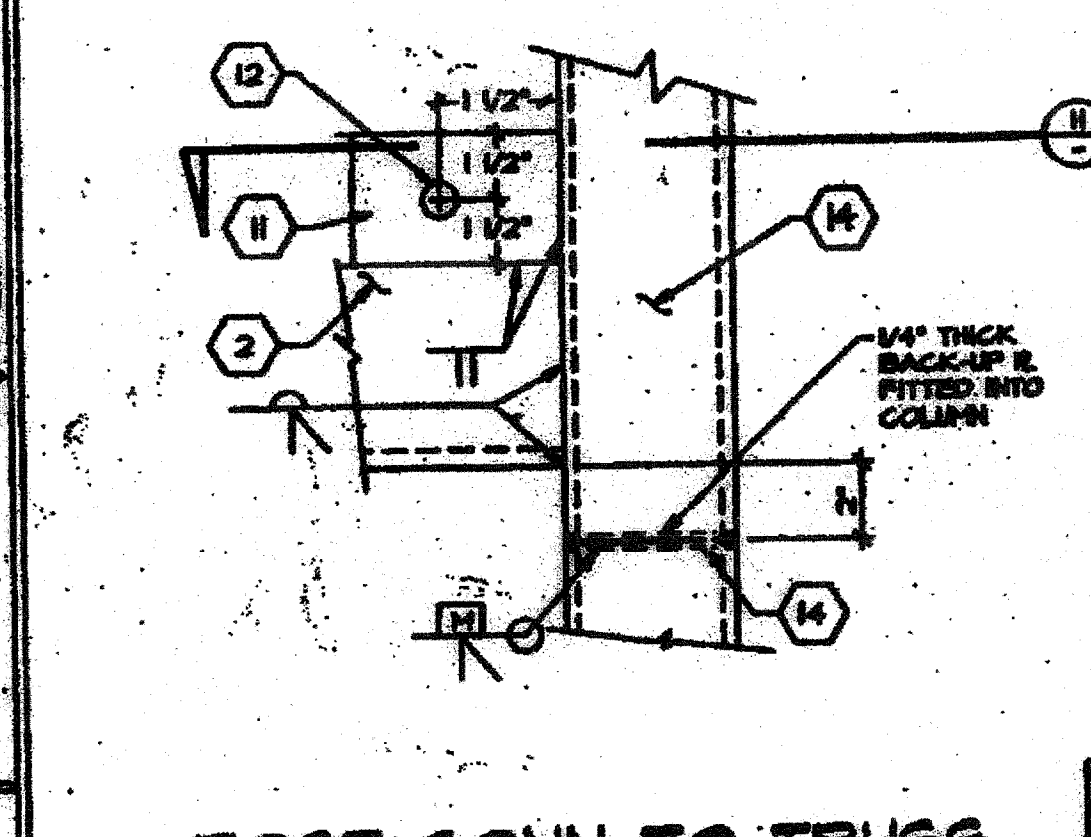
CONN. TO VERTICAL MEMBER 5



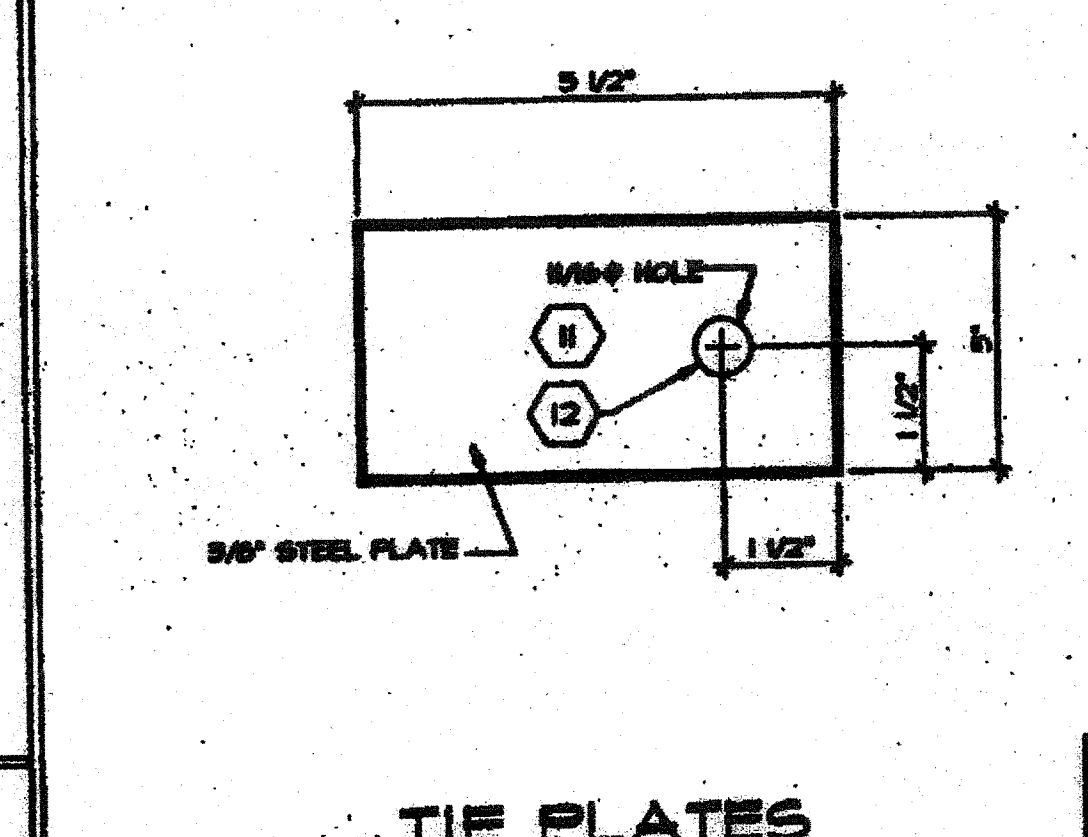
POST CONN TO TRUSS 6



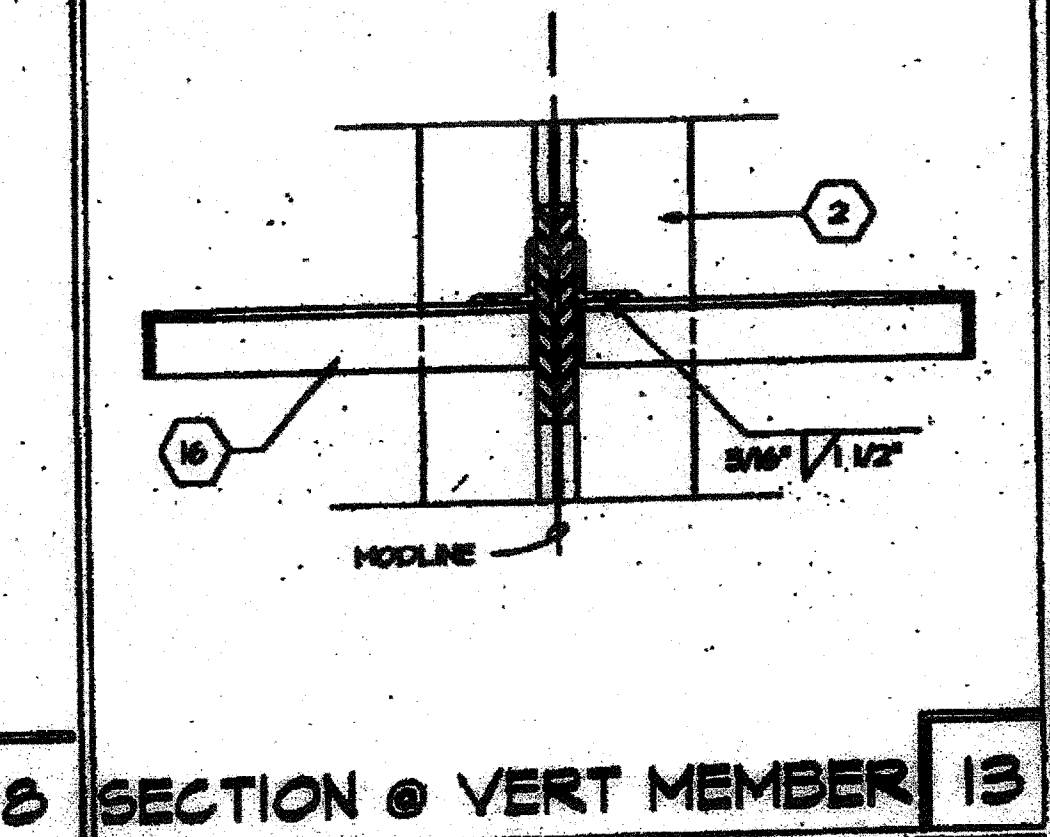
POST CONN TO TRUSS 7



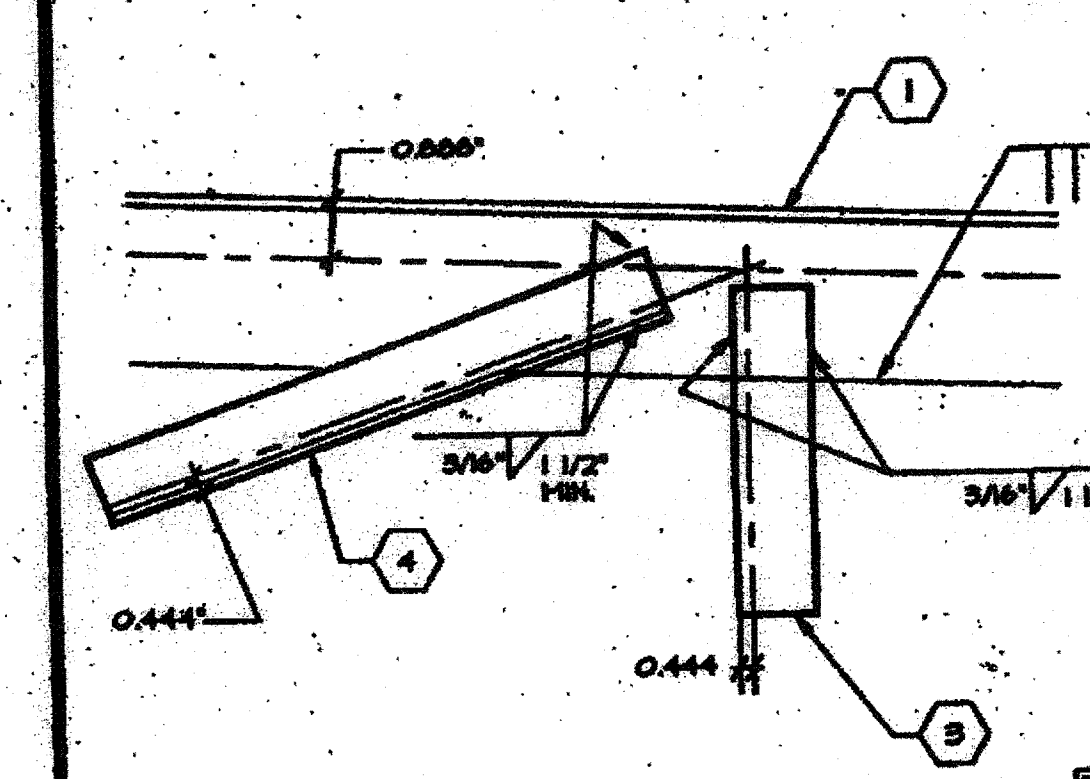
TIE PLATES 8



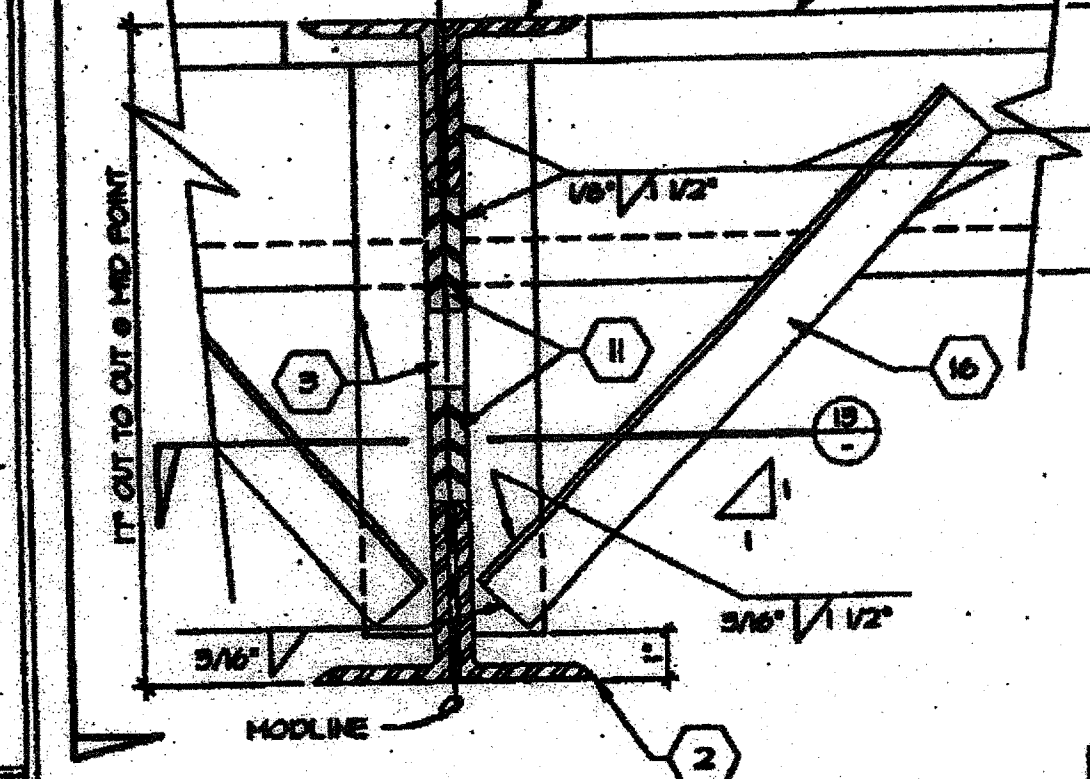
SECTION @ VERT MEMBER 13



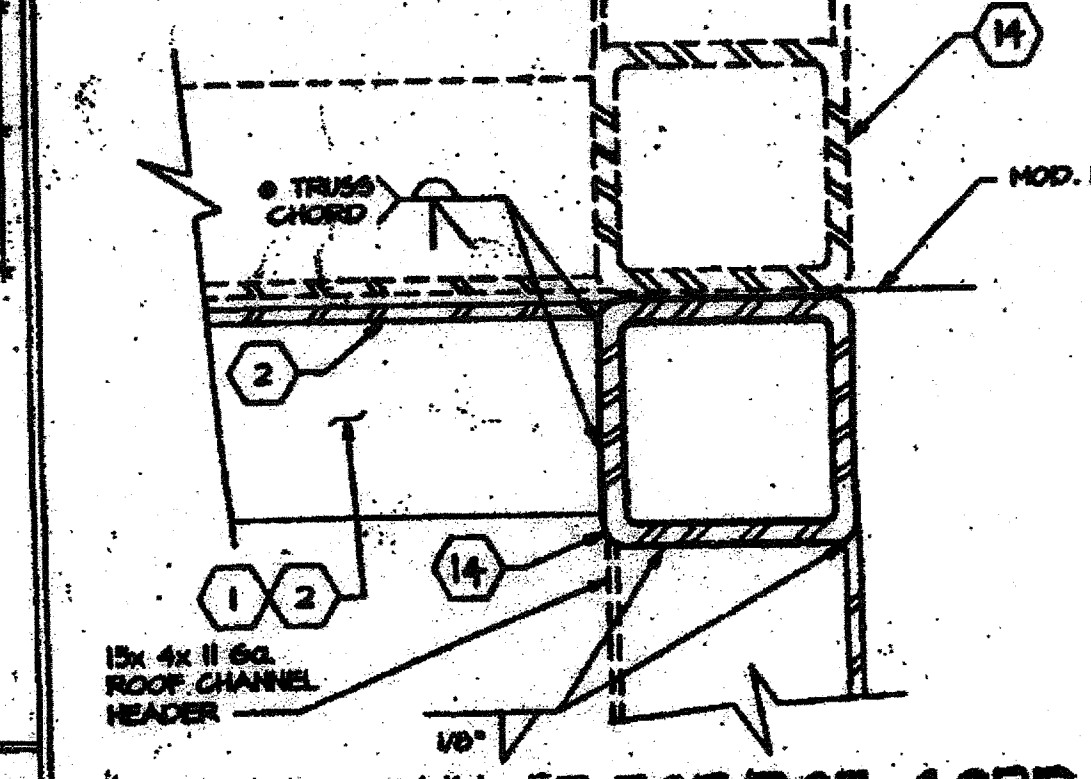
VERT. & DIAG. TOP CHORD 9



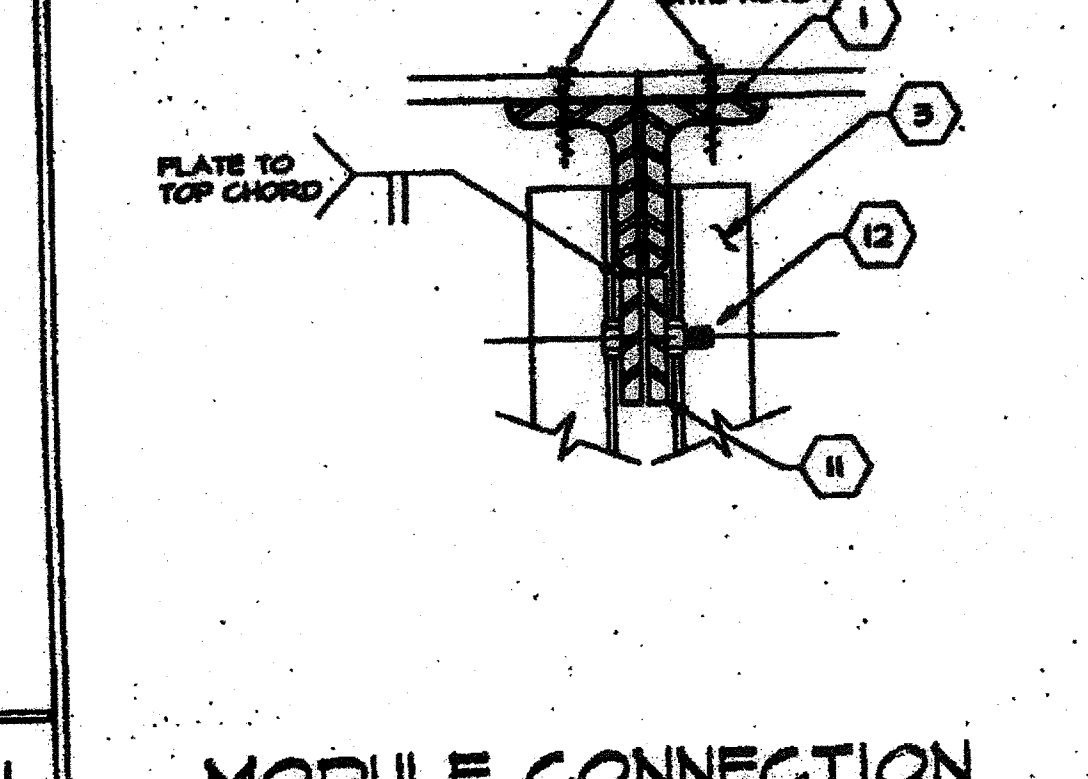
TRUSS TO ROOF JOIST BRACING 10



MODULE CONN AT TOP/BOT. CHORD 11



MODULE CONNECTION 12



IDENTIFICATION STAMP
DIV. OF THE STATE ARCHITECT
A 03 117375
AC / FLS / SS
Date JUL 27 2016

TURORA MODULAR INDUSTRIES
1933 Westmore Ave., Westfield, OH 45390
Phone: (937) 262-2170
Fax: (937) 262-2170

MONO SLOPE
STEEL TRUSS
SECTION AND
DETAILS

SHEET
55