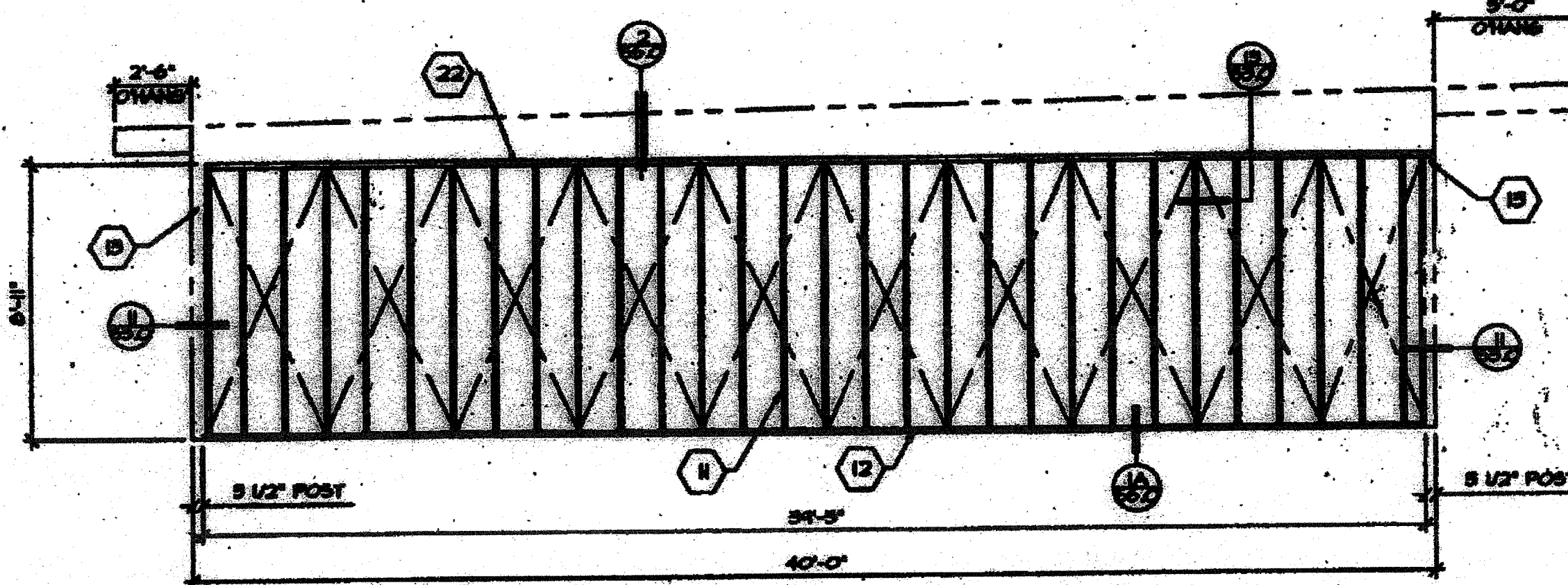
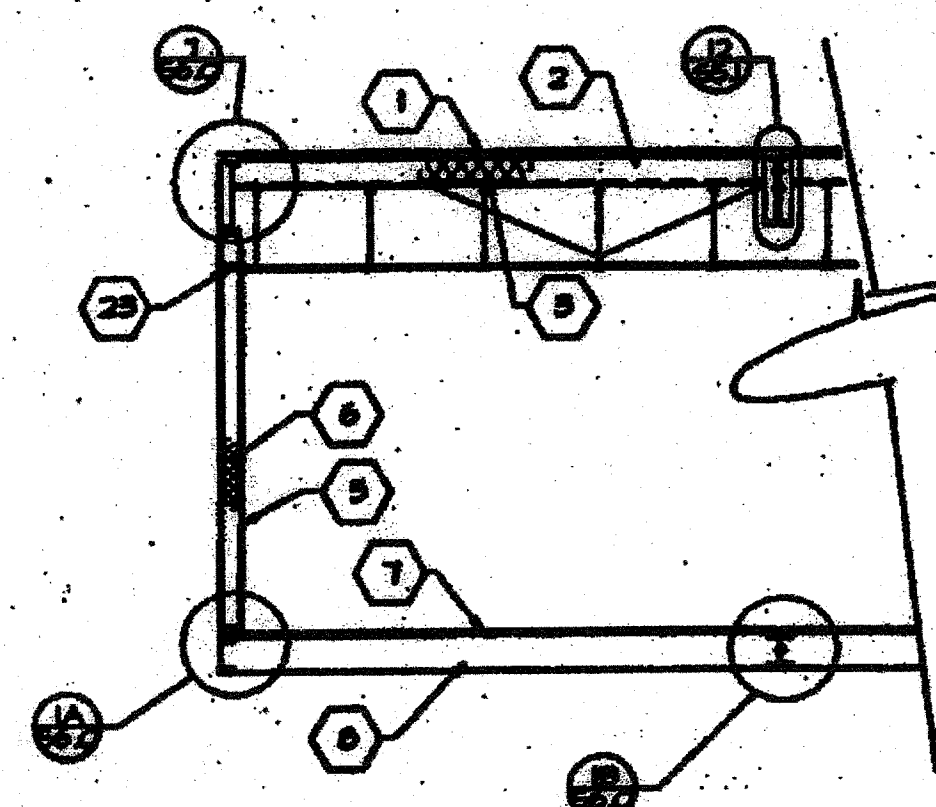


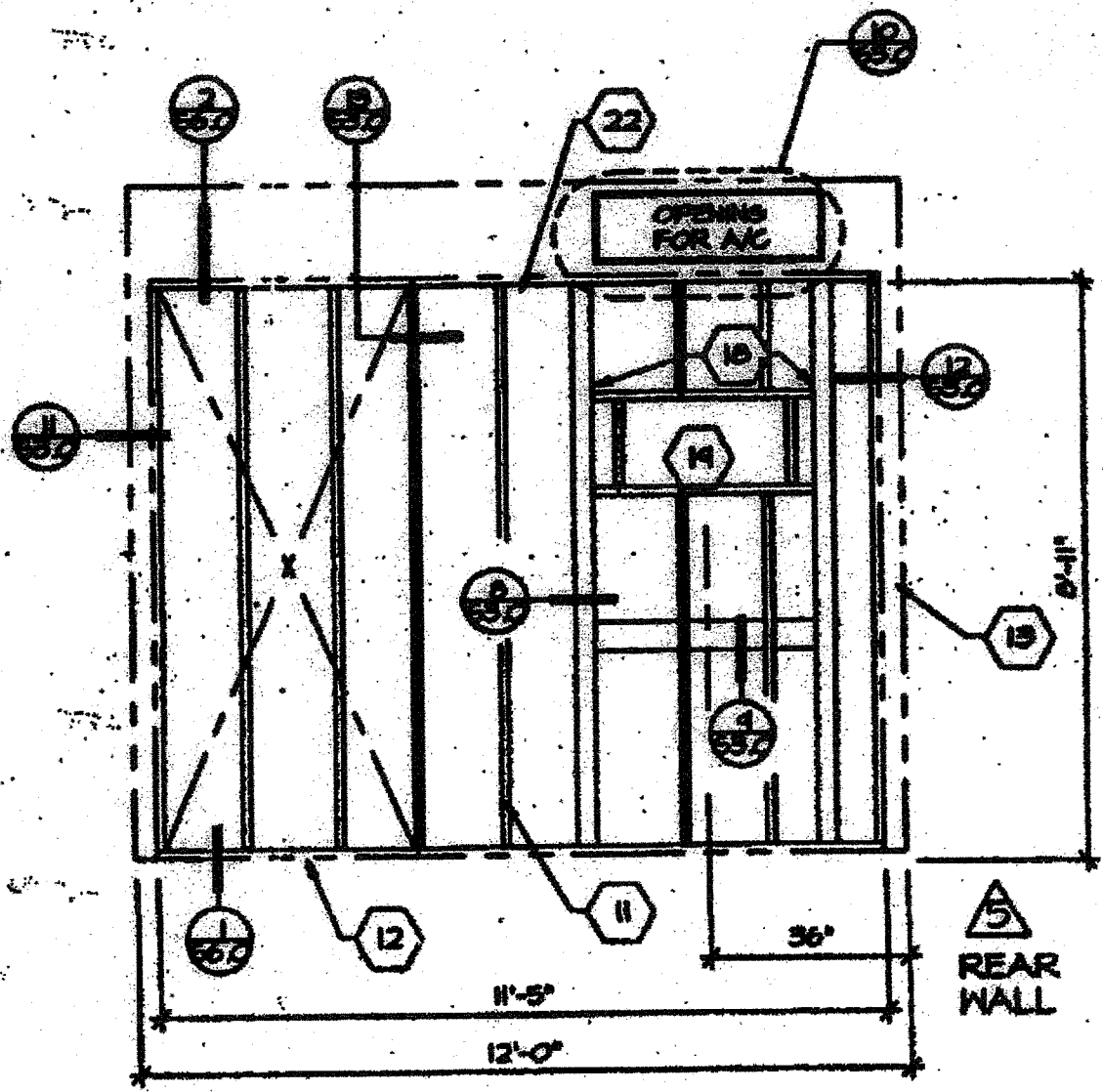
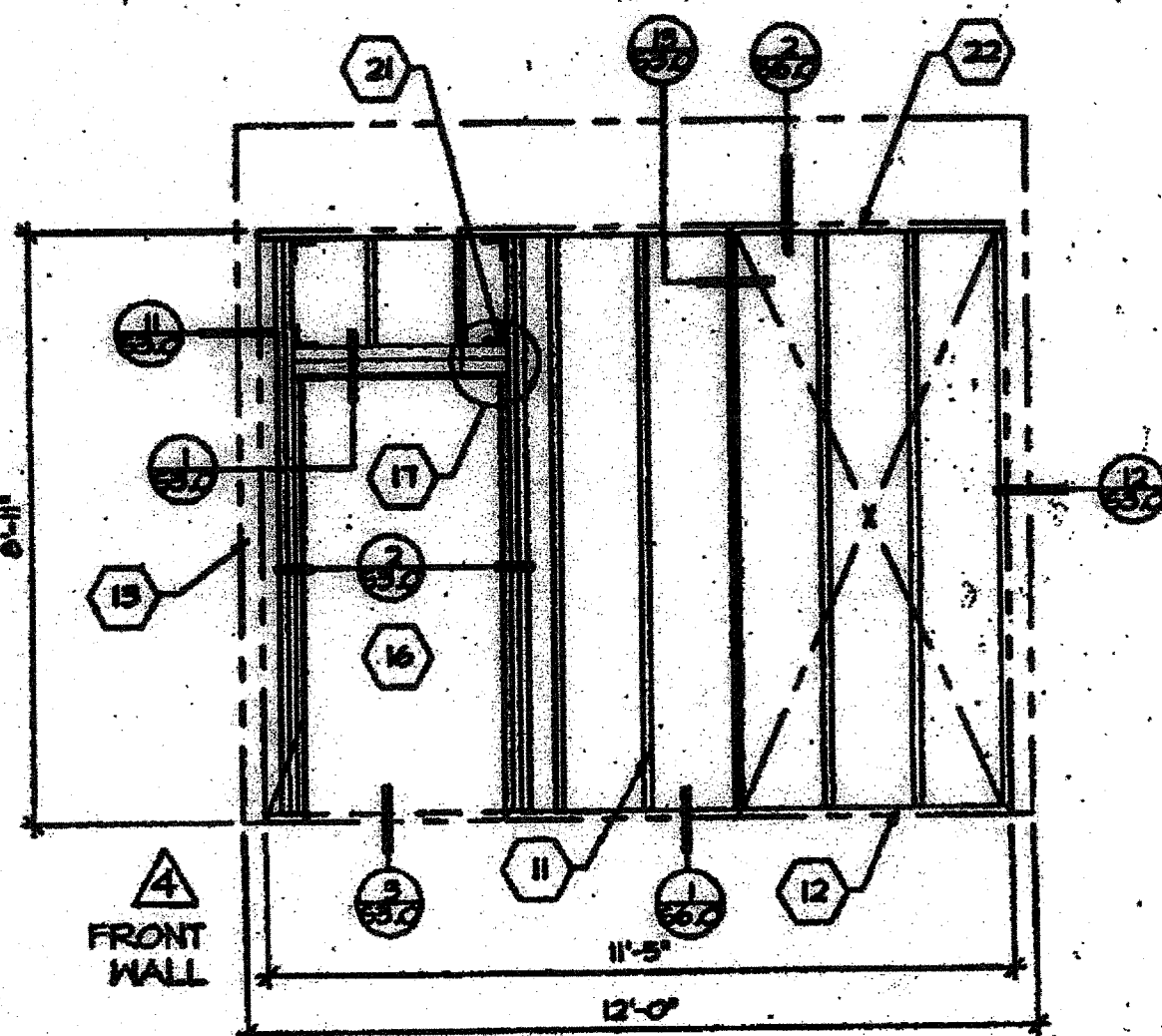
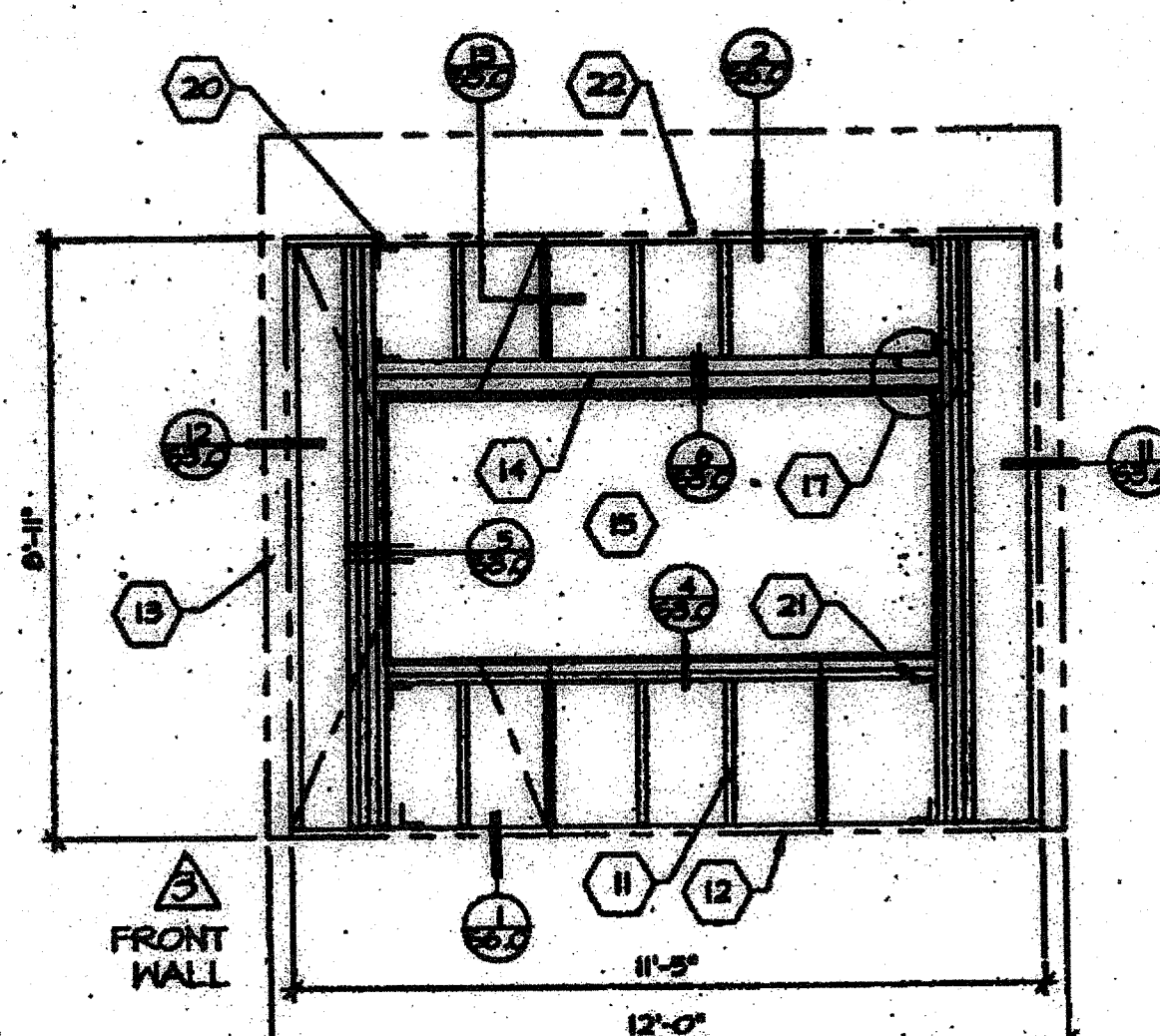
**BUILDING SECTIONS**  
SCALE 1/4" = 1'-0"



**TYPICAL SIDEWALL**  
SCALE 1/4" = 1'-0"  
WALL  $\triangle$  SHOWN  
WALL  $\triangle$  OPP. HAND



**WALL LOCATIONS**  
SCALE 1/8" = 1'-0"



**TYPICAL ENDWALLS**  
SCALE 3/8" = 1'-0"

**KEYNOTES**

- 1 ROOF SHEATHING- SEE SHEET 41
- 2 STEEL ROOF JOIST- SEE SHEET 54J
- 3 R-11 FIBERGLASS INSULATION ON METAL STRAPS.
- 4 SUSPENDED CEILING- SEE SHEET A8.0
- 5 TYPICAL INTERIOR FINISH- SEE SHEET 41
- 6 R-11 FIBERGLASS INSULATION
- 7 FLYWOOD FLOOR SHEATHING- SEE SHEET 54J
- 8 STEEL FLOOR JOIST- SEE SHEET 54J
- 9 NOT USED
- 10 FLYWOOD SIDING/SHEATHING- SEE SHEET 41.0 FOR MATERIAL. NAIL SPACING WITH CORROSION RESISTANT 6d BOX NAILS @ 8" BOUNDARY & EDGES, 12" FIELD.
- 11 STUDS- 2x4 HP, STD GRADE @ 16" O.C.
- 12 BOTTOM PLATE- 2x4 HP, STD GRD. & BETTER.
- 13 STEEL FRAME- SEE SHEET 54J "STRUCTURAL ELEVATIONS" FOR MEMBER TYPES AND SIZES.
- 14 HINGED HEADER- (2) 2x4 HP, STD GRD. PLAT.
- 15 FRAME FOR 2'-0" x 4'-0" HINGED USE (2) FULL HEIGHT 1x4 FOR 2x4 STUDS IN 1 2x4 TRIMMER BOTH SIDES AND (2) 2x4 PLAT FOR HINGED SILL. USE (2) FULL HEIGHT STUDS AT 60 MPH W/ STUCCO.
- 16 FRAME FOR 2'-0" x 6'-0" DOOR. USE (2) FULL HEIGHT 2x4 JAMB STUDS WITH (1) 2x4 TRIMMER BOTH SIDES & (2) 2x4 PLAT FOR HEADER. SEE DETAIL 1 SHEET 50.0
- 17 NAIL THRU VERTICAL STUD INTO HORIZ. HEAD OR SILL. 16 D.P. (4) 16d NAILS PER CONNECTION. TYPICAL AT CORNERS OF ALL OPENINGS.
- 18 4x4 HP, POST
- 19 SEE SHEET 41 FOR A/C SIZE AND TORQUE OF MECHANICAL PLAT.
- 20 SIMPSON ASD CLIPS (4) PLACES TO TOP AND BOTTOM PLATES.
- 21 SIMPSON ASD CLIPS (4) PLACES TO HINGED SILL AND HEADER OR (2) PLACES TO DOOR HEADER.
- 22 2x4 PLATE- HP, STANDARD OR BETTER.
- 23 FIVE BLOCKS PER SEC. 108, 1944 C.B.C.

NOTE: HIGH BUILDING WIND LOAD IS 50MPH USE D.P. 62 WOOD MEMBERS.

CBC 1998  
PC

D.S.A.  
IDENTIFICATION STAMP  
DIV. OF THE STATE ARCHITECT  
04-101055  
DATE 11/13/15

D.S.A.  
PORTION 1  
NON-EXHAUSTIVE LIST  
11/13/15  
2015  
2015

STRUCT. ENGINEER  
ARCHITECT

ARCHITECT

CHANGE ORDER

CHECKED BY

1833 Northwest Ave., Bismarck, ND 58505  
701-223-7279  
www.turora.com



**TURORA MODULAR INDUSTRIES**  
BUILDING SECTIONS,  
WALL FRAMING  
MONO SLOPE  
WOOD STUDS  
(24x40)

IDENTIFICATION STAMP  
DIV. OF THE STATE ARCHITECT  
A 03 117375  
AC / FLS / SS: 8/1  
Date 11/17/2015

SHEET  
S. S.