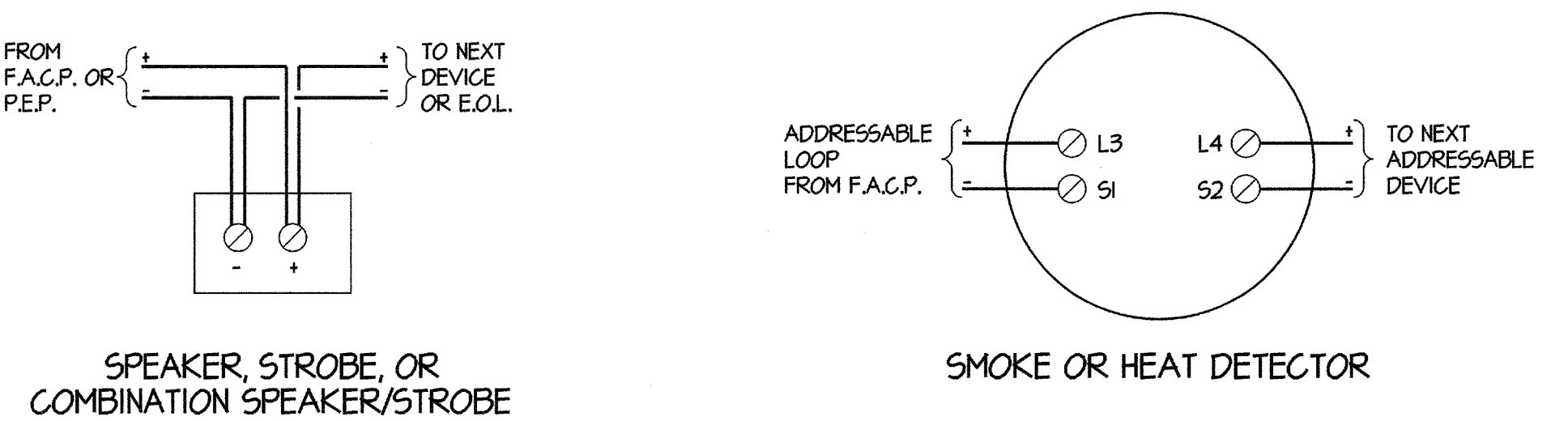


- NOTES (THIS DETAIL ONLY):**
- LENGTHS INDICATED WERE USED FOR CALCULATIONS/DESIGN PURPOSES ONLY AND BASED UPON THE "DIAGRAMMATIC" LAYOUT SHOWN ON THE DRAWINGS. LENGTHS SHALL NOT BE USED FOR BIDDING.
 - PROVIDE A COPY OF THE REVISED BATTERY CALCULATION FOR THE FIRE ALARM EQUIPMENT. THE BATTERY CALCULATION SHALL CONTAIN INFORMATION (AS NOTED ON THESE PLANS) AND BE PLASTIC LAMINATED. MOUNT ONTO INSIDE FACE OF PANEL DOOR.
 - REFER TO RESPECTIVE FIRE ALARM PLAN FOR CONDUIT AND CABLING/ CONDUCTOR REQUIREMENTS, TYPICAL.
 - CIRCUIT BREAKER IS EXISTING AND IS EQUIPPED WITH A LOCK-ON ACCESSORY.
 - EXISTING SIGNALING CIRCUITS TO REMAIN. NO WORK REQUIRED.
 - EXISTING INITIATION ZONES TO REMAIN. NO WORK REQUIRED.
 - RELOCATE END OF LINE RESISTOR TO LAST DEVICE AS SHOWN.
 - EXISTING ONE "SFA" CABLE.
 - PER FIRE ALARM SYSTEM EQUIPMENT SPECIFICATION. SEE SHEET #E31.
 - PANEL HAS EXISTING BATTERIES PER RESPECTIVE BATTERY CALCULATION ON SHEET #E31.
 - EXISTING JUNCTION BOX IN ACCESSIBLE ATTIC SPACE OF BUILDING #R06 TO REMAIN.
 - SET EXTERIOR SPEAKER TAPS AT 1 WATT, TYPICAL.
 - SET INTERIOR SPEAKER TAPS AT 1/2 WATT, TYPICAL.
 - SPARE SPEAKER CHANNELS FOR FUTURE USE.

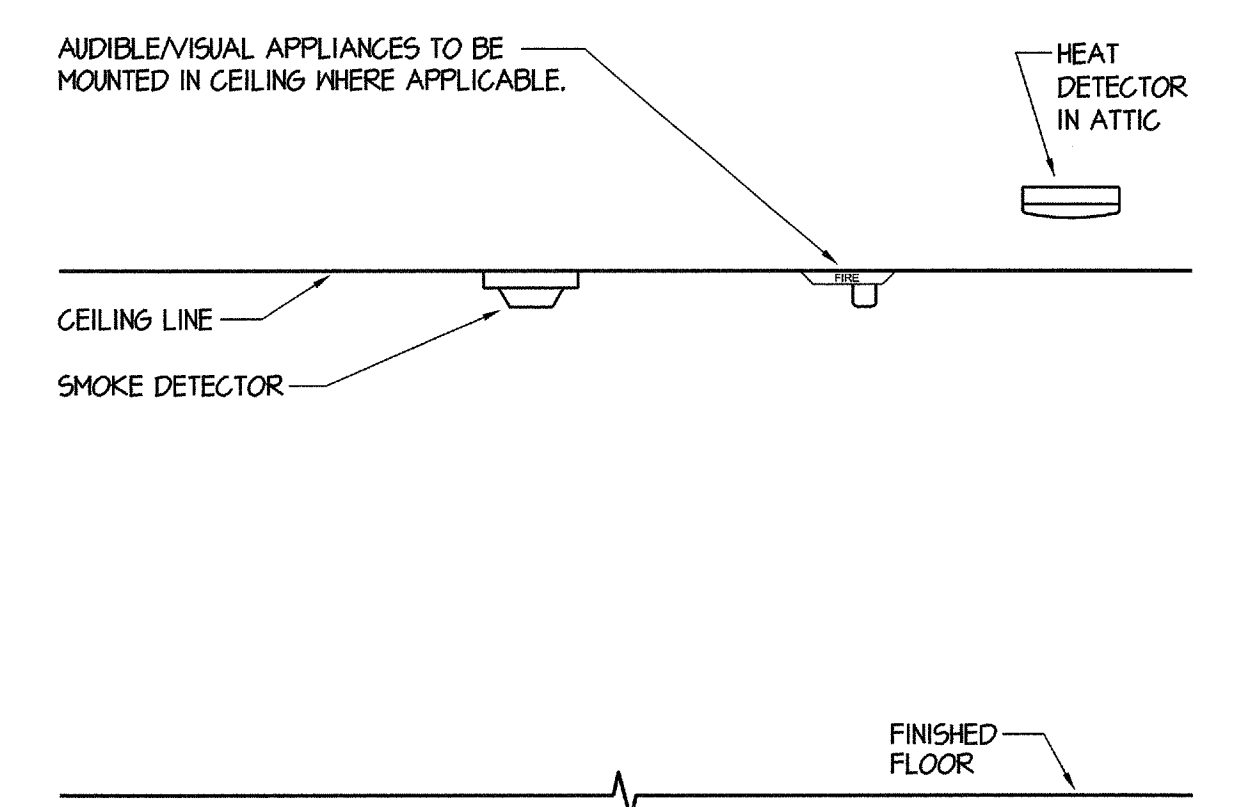
1 FIRE ALARM SYSTEM RISER DIAGRAM

NTS

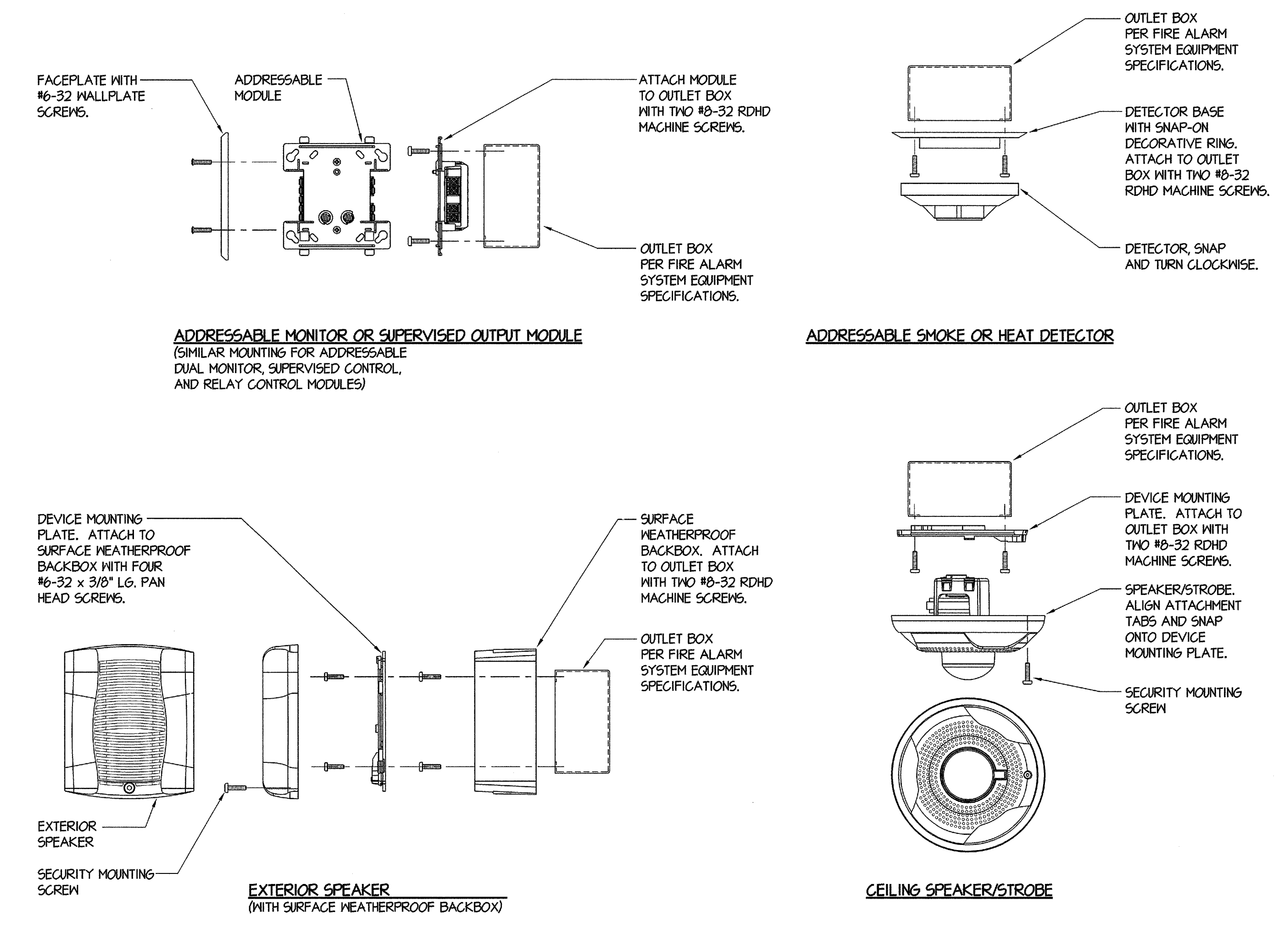
2 FIRE ALARM EQUIPMENT WIRING DIAGRAMS



3 FIRE ALARM DEVICES ELEVATION



5 FIRE ALARM DEVICE MOUNTING



COMPLETE AUTOMATIC FIRE ALARM SYSTEM PLAN SUBMITTAL

THE FIRE ALARM SYSTEM SHOWN ON THESE PLANS HAS BEEN SUBMITTED AND APPROVED BY THE DIVISION OF THE STATE ARCHITECT. ANY SUBSTITUTION OF THE FIRE ALARM SYSTEM SHALL BE RESUBMITTED TO THE ARCHITECT FOR REVIEW AND APPROVAL. THE CONTRACTOR SHALL PAY ANY ADDITIONAL FEES THAT ARE INCURRED DUE TO THIS SUBSTITUTION.

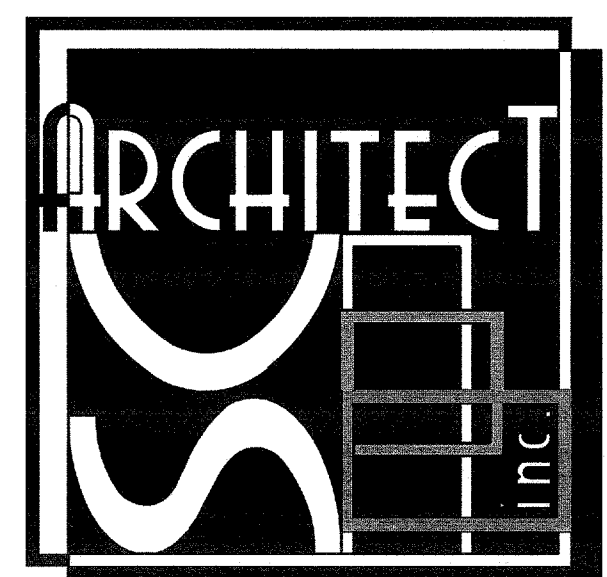
THE FIRE ALARM SYSTEM SHALL BE A TOTAL (COMPLETE) AUTOMATIC HEAT AND SMOKE DETECTION SYSTEM PER C.F.C. SECTION 907.2.3.6, AND SHALL COVER EVERY ROOM AND/OR AREA. UPON THE ACTIVATION OF ANY INITIATION DEVICE THE FIRE ALARM SYSTEM SHALL ALERT ALL OCCUPANTS AND TRANSMIT THE ALARM, SUPERVISORY, AND TROUBLE SIGNALS TO AN APPROVED SUPERVISING STATION (C.F.C. SECTION 907.2.3.5).

MARK	DATE	REVISIONS

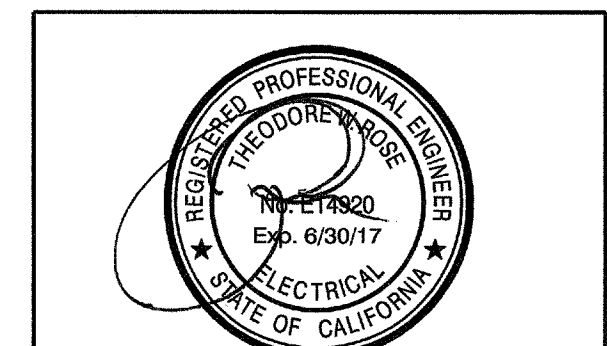
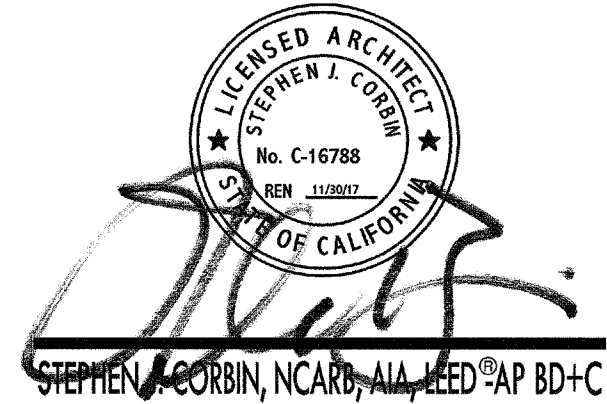
CHECK AND VERIFY ALL DIMENSIONS BEFORE PROCEEDING WITH THE WORK. REPORT DISCREPANCIES TO THE ARCHITECT. ALL CONSTRUCTION SHALL CONFORM TO THE C.B.C.

SITE IMPROVEMENTS FOR (2) MODULAR CLASSROOMS AT:
HORACE MANN ELEMENTARY SCHOOL
 2710 NILES STREET, BAKERSFIELD, CA, 93306
FOR
BAKERSFIELD CITY SCHOOL DISTRICT
 BAKERSFIELD, KERN COUNTY, CALIFORNIA, 93305

IDENTIFICATION STAMP
 DIV. OF THE STATE ARCHITECT
 OFFICE OF REGULATION SERVICES
 APRIL 03-117375
 FILE: 15-6
 AC: RLS
 DATE: JUL 27 2016
 PTN: 63321-223



1601 NEW STINE ROAD, SUITE 280
 BAKERSFIELD, CA 93309
 PH: (661) 397-4377
 FAX: (661) 397-4378
 WWW.SCARCHITECT.COM



Rose Sing and Associates, Inc.
 Electrical Consultants
 131 S. Dunworth - (559) 733-2671
 Visalia, California 93292-6705

FIRE ALARM SYSTEM RISER DIAGRAM AND DETAILS

JOB NO.
1225
 DRAWN BY:
 TW
 CHECKED BY:
 DS
 DATE:
 05-25-16

3.2
 OF SHEETS

Z:\Drawing\Jobs\1524\SCH003\B\FIELD\Bakersfield_City_Schools\Horace_Mann - The_Riser\1524.dwg DATE: 05/27/16 TIME: 09:52:16 BY: Casey Job # 15-09601-JJ