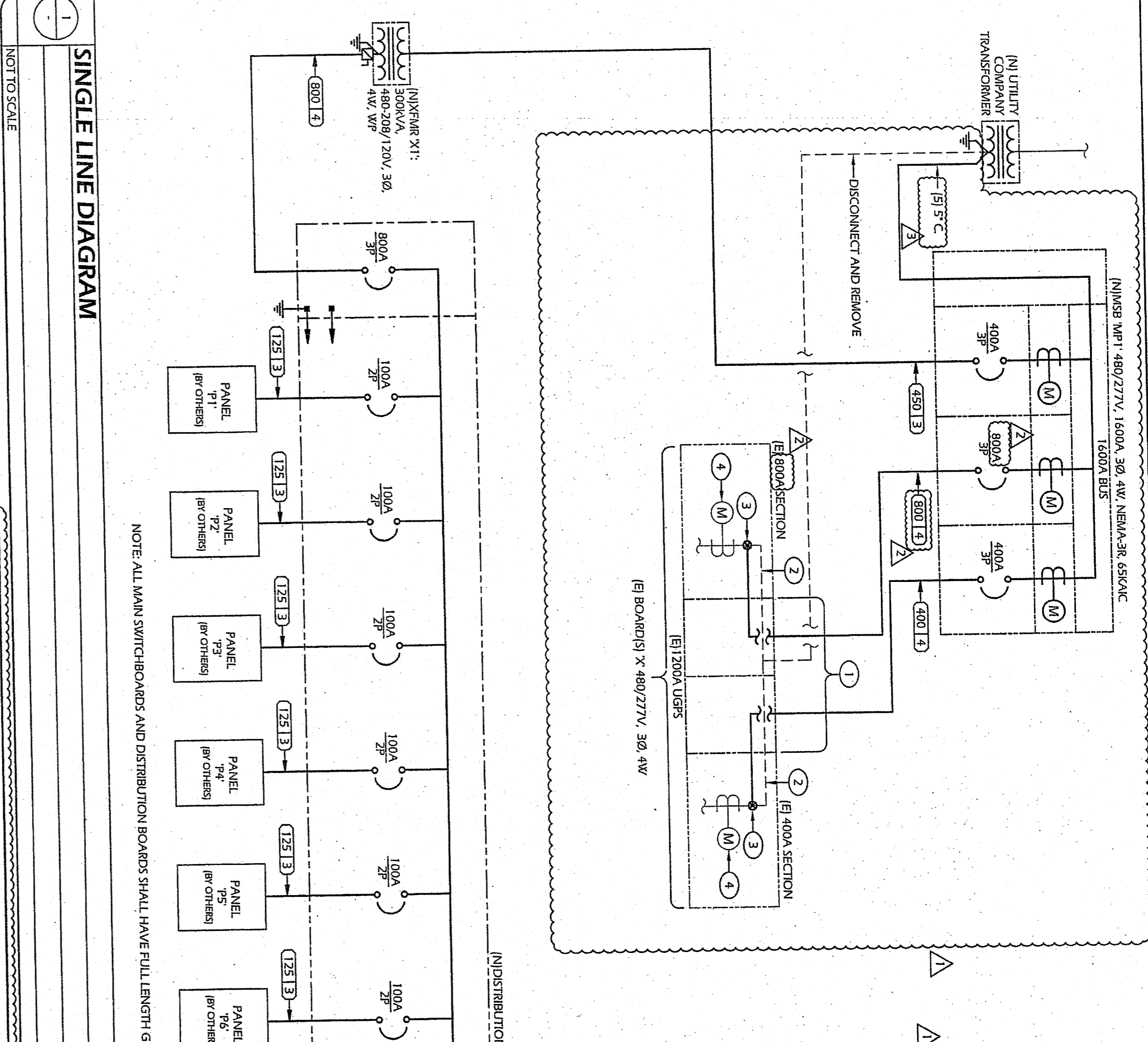


### PULL BOX SCHEDULE

DESIGNATION	SIZE	REMARKS
P1	2 1/4 x 6	POWER SPARE
P2	2 1/4 x 6	POWER SPARE
P3	2 1/4 x 6	POWER SPARE
P4	2 1/4 x 6	POWER SPARE
P5	2 1/4 x 6	POWER SPARE
P6	2 1/4 x 6	POWER SPARE
P7	2 1/4 x 6	POWER SPARE
P8	2 1/4 x 6	POWER SPARE
P9	2 1/4 x 6	POWER SPARE
P10	2 1/4 x 6	POWER SPARE
P11	3 6/8 x 6 x 6	POWER:
C1	N36	DATA/TEL/TV/SPARE
C2	N36	DATA/TEL/TV/SPARE
C3	N36	DATA/TEL/TV/SPARE
C4	N36	DATA/TEL/TV/SPARE
C5	1 1/2 x 2	DATA/TEL/TV/SPARE
C6	N36	DATA/TEL/TV/SPARE
C7	N36	DATA/TEL/TV/SPARE
C8	N36	DATA/TEL/TV/SPARE
C9	N36	DATA/TEL/TV/SPARE
C10	N36	DATA/TEL/TV/SPARE
S1	N36	PA/FM/VA
S2	N36	PA/FM/VA
S3	N36	PA/FM/VA
S4	N36	PA/FM/VA
S5	1 1/2 x 2	PA/FM/VA
S6	N36	PA/FM/VA
S7	N36	PA/FM/VA
S8	N36	PA/FM/VA
S9	N36	PA/FM/VA
S10	N36	PA/FM/VA

NOTES:  
 1. ALL PULL BOXES SHALL BE EITHER BROOKS, CHRISTY, OR EQUIVALENT.  
 2. ALL PULL BOXES SHALL BE PROVIDED WITH EXTENSION RINGS AND BOLT DOWN COVERS AS REQUIRED TO SUIT THE APPLICATION. VERIFY PULL BOX CONDITIONS REQUIRING FULL TIME WITH THE ARCHITECT AND CIVIL ENGINEER.  
 3. LABEL PULL BOXES: ELECTRICAL, SIGNAL OR COMMUNICATIONS AS REQUIRED.



### DUCT BANK SCHEDULE

#	SIZE	POWER	SPARE	DATA	TELEPHONE	COMMUNICATION	PA	SPARE	SIGNAL	ALARM	SIGNAL
1	9 1/2"	(1) 1/2"	(1) 1/2"	-	-	-	-	-	-	-	-
2	11 1/4"	(1) 1/2"	(1) 1/2"	-	-	-	-	-	-	-	-
3	11 1/4"	(1) 1/2"	(1) 1/2"	-	-	-	-	-	-	-	-
4	11 1/4"	(1) 1/2"	(1) 1/2"	-	-	-	-	-	-	-	-
5	11 1/4"	(1) 1/2"	(1) 1/2"	-	-	-	-	-	-	-	-
6	13 1/4"	(1) 1/2"	(1) 1/2"	-	-	-	-	-	-	-	-
7	11 1/4"	(1) 1/2"	(1) 1/2"	(1) 1/2"	(1) 1/2"	(1) 1/2"	(1) 1/2"	(1) 1/2"	(1) 1/2"	(1) 1/2"	(1) 1/2"
8	10 1/4"	(1) 1/2"	(1) 1/2"	-	-	-	-	-	-	-	-
9	11 1/4"	(1) 1/2"	(1) 1/2"	-	-	-	-	-	-	-	-
10	10 1/2"	(1) 1/2"	(1) 1/2"	(1) 1/2"	(1) 1/2"	(1) 1/2"	(1) 1/2"	(1) 1/2"	(1) 1/2"	(1) 1/2"	(1) 1/2"
11	10 1/2"	(1) 1/2"	(1) 1/2"	(1) 1/2"	(1) 1/2"	(1) 1/2"	(1) 1/2"	(1) 1/2"	(1) 1/2"	(1) 1/2"	(1) 1/2"
12	11 1/2"	(1) 1/2"	(1) 1/2"	(1) 1/2"	(1) 1/2"	(1) 1/2"	(1) 1/2"	(1) 1/2"	(1) 1/2"	(1) 1/2"	(1) 1/2"
13	11 1/2"	(1) 1/2"	(1) 1/2"	(1) 1/2"	(1) 1/2"	(1) 1/2"	(1) 1/2"	(1) 1/2"	(1) 1/2"	(1) 1/2"	(1) 1/2"
14	11 1/2"	(1) 1/2"	(1) 1/2"	(1) 1/2"	(1) 1/2"	(1) 1/2"	(1) 1/2"	(1) 1/2"	(1) 1/2"	(1) 1/2"	(1) 1/2"
15	11 1/2"	(1) 1/2"	(1) 1/2"	(1) 1/2"	(1) 1/2"	(1) 1/2"	(1) 1/2"	(1) 1/2"	(1) 1/2"	(1) 1/2"	(1) 1/2"
16	13 1/2"	(1) 1/2"	(1) 1/2"	-	-	-	-	-	-	-	-

### GENERAL NOTES

- PROVIDE AND INSTALL 3/4" DIA. CAT3 CONDUCTOR IN A 1" CONDUIT AND MAKE ALL CONNECTIONS FOR A FULLY FUNCTIONAL SYSTEM.
- DISCONNECT AND REMOVE EXISTING FEED FROM EXISTING UGRS TO EXISTING METER.
- INTERCEPT EXISTING FEED AND CONNECT TO NEW FEED.
- DISCONNECT AND REMOVE EXISTING METER. PROVIDE AND INSTALL METER BYPASS WITH PLASTIC COVER. COORDINATE WITH P&S.

### FEEDER SCHEDULE

DESIG	CONDUIT & CONDUCTOR SIZES & QUANTITIES
(200) 1/2"	2" C-12) #30 & (1) #6 GND.
(350) 1/2"	4" C-12) #50KCMIL & (1) #3 GND.
(125) 1/2"	1 1/2" C-1) #1 & (1) #6 GND.
(400) 1/2"	4" C-1) #50KCMIL & (1) #3 GND.
(550) 1/2"	4" C-1) #50KCMIL & (1) #2 GND.
(600) 1/2"	4" C-1) #50KCMIL & (1) #2 GND.
(600) 1/2"	2 1/2" C-1) #25KCMIL & (1) #2 GND.
(600) 1/2"	2 1/2" C-1) #50KCMIL & (1) #2 GND.

Issue Date: \_\_\_\_\_  
 Date: \_\_\_\_\_  
 Designer: \_\_\_\_\_

PROJECT: **SINGLE LINE DIAGRAM, DUCT BANK, AND PULLBOX SCHEDULES**

PROJECT NAME & ADDRESS:  
**FREMONT MAGNET ELEM. SCHOOL**  
**11 CLASSROOM BLDG.**  
 BAKERSFIELD CITY SCHOOL DISTRICT  
 607 TEXAS ST. BAKERSFIELD, CA 93307

ARCHITECTURE • ENGINEERING • INTERIOR DESIGN • CONSTRUCTION MANAGEMENT

6011 N. Fresno, Suite 130 - Fresno, California 93710  
 Phone (559) 436-0881 Fax (559) 436-0887 E-Mail: design@somam.com  
 www.Integrateddesigns.com

AS BUILT DRAWINGS ELECTRICAL

03/11/2010

Sheet No: **E1.2**

Job No: **3820**

DATE: \_\_\_\_\_

TRACING # : 63

FILE # : 15-6

DESIGNER: \_\_\_\_\_

DATE: \_\_\_\_\_

DATE: \_\_\_\_\_

DATE: \_\_\_\_\_