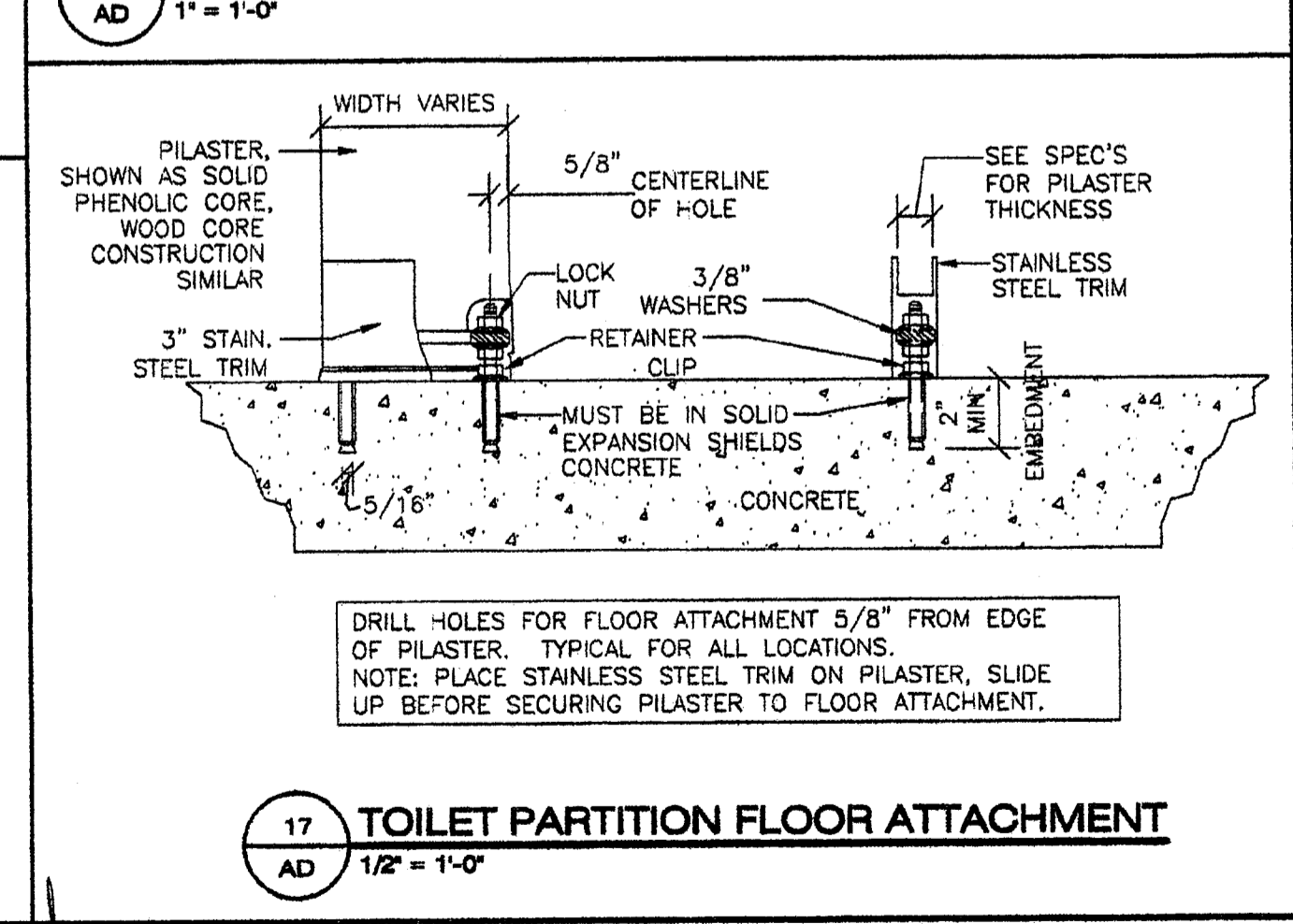
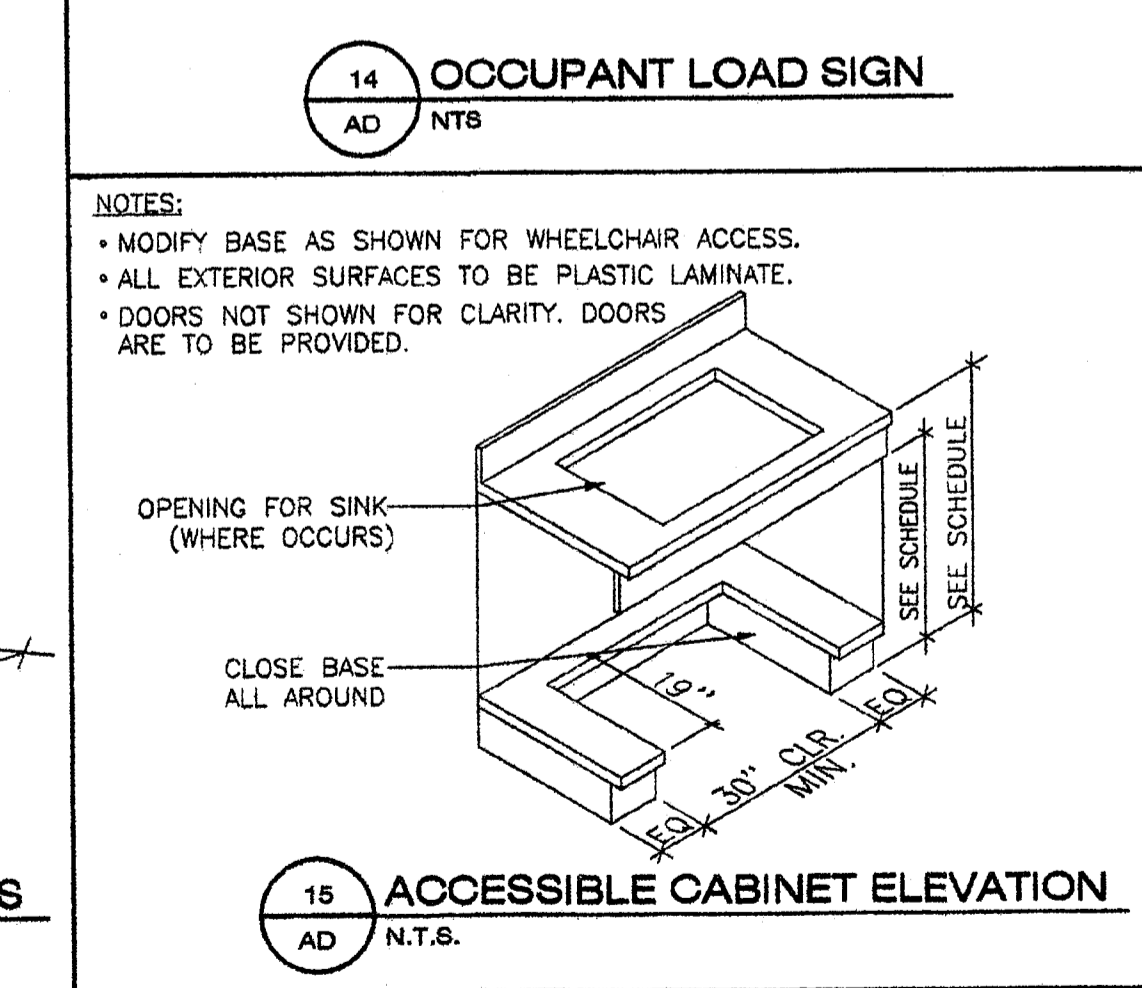
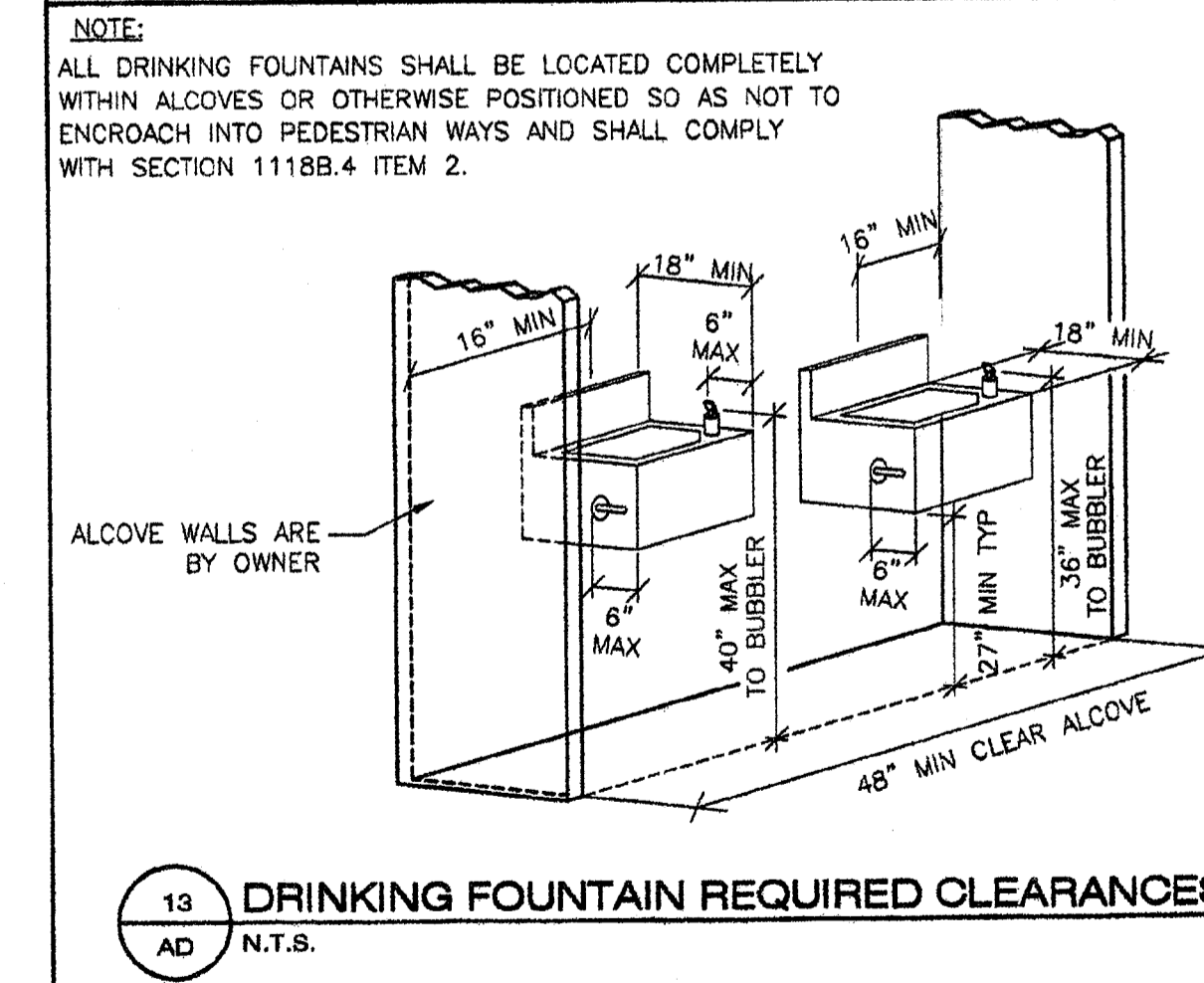
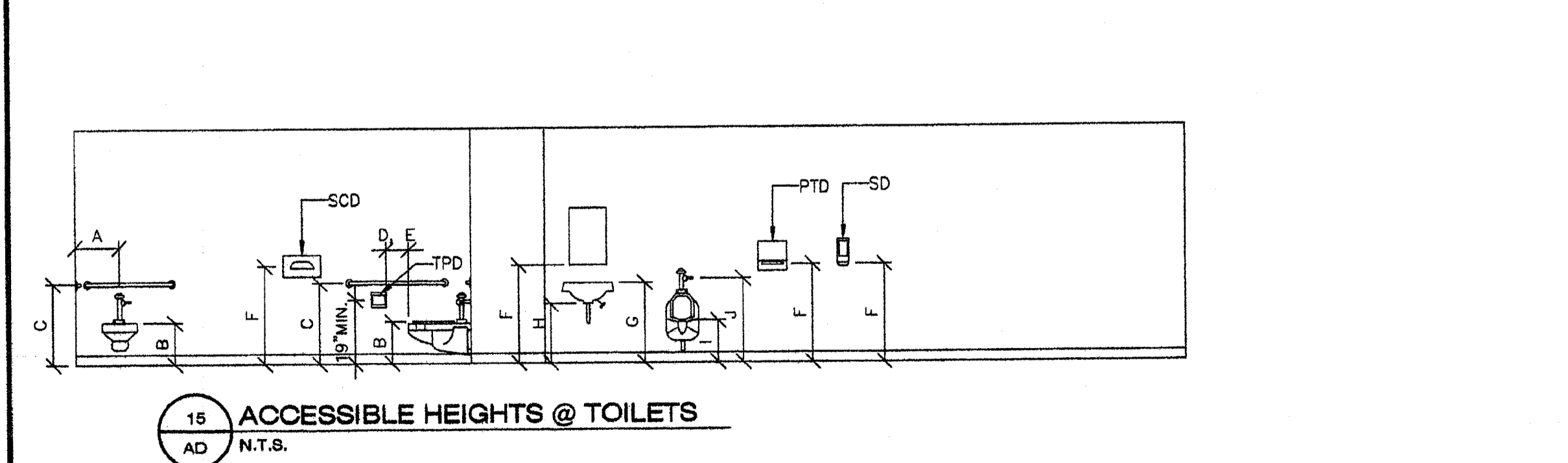
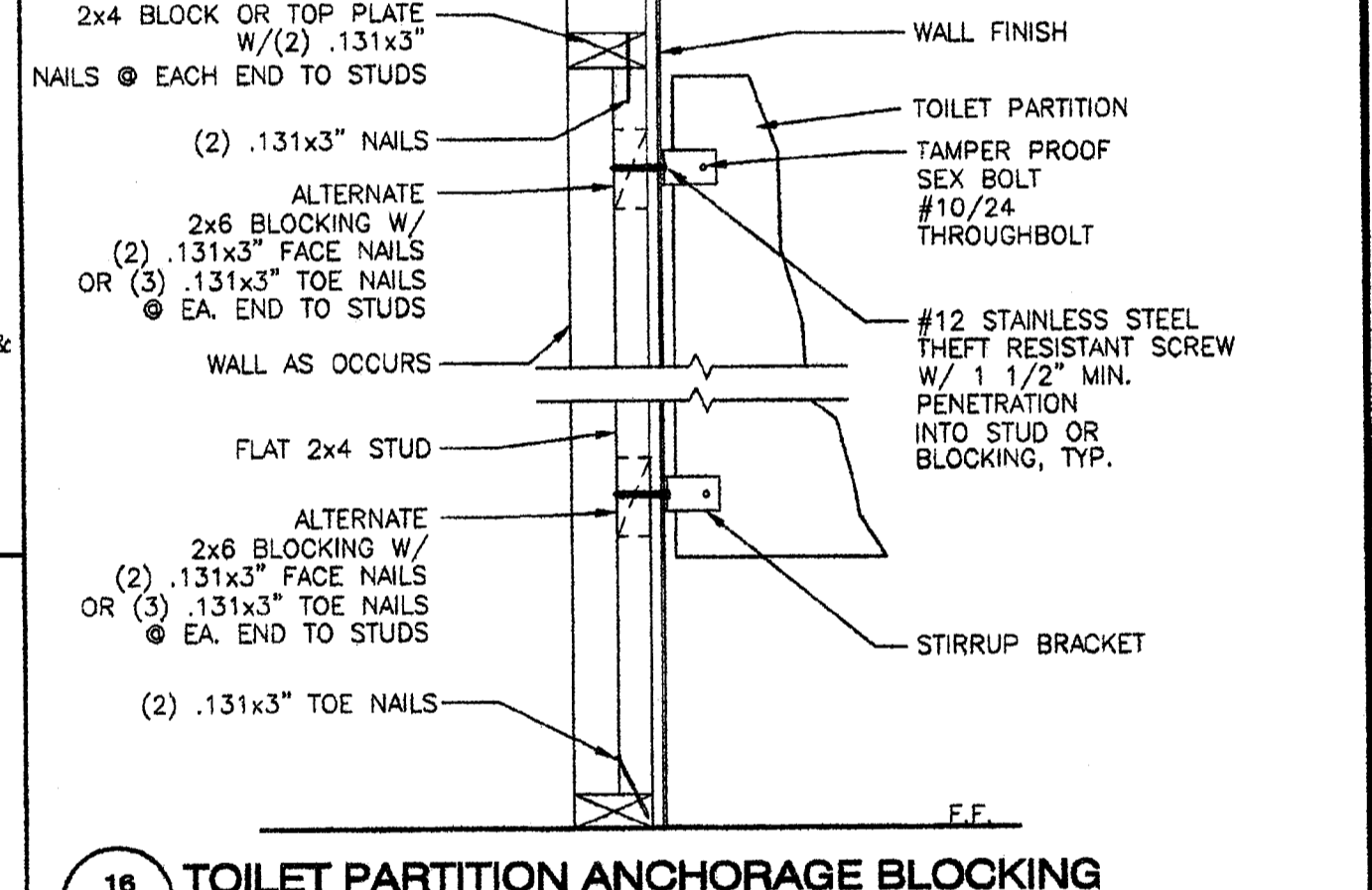
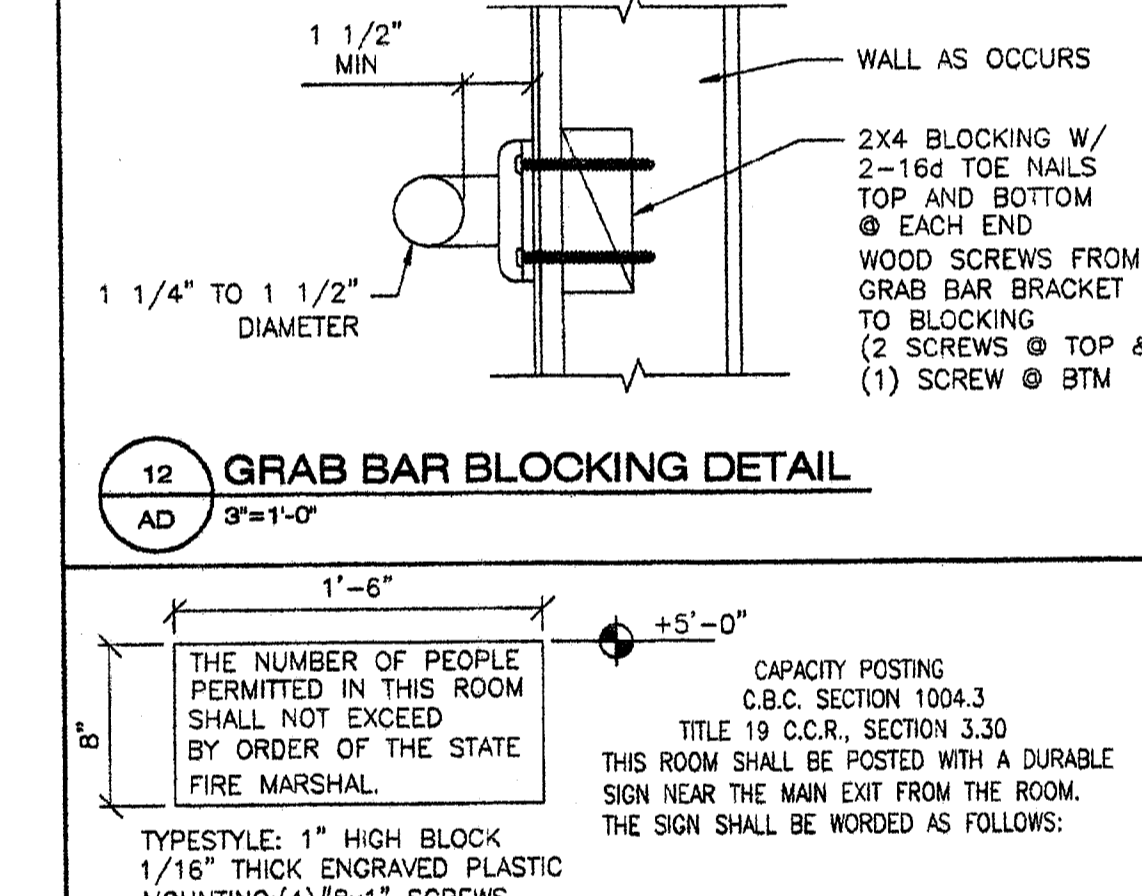
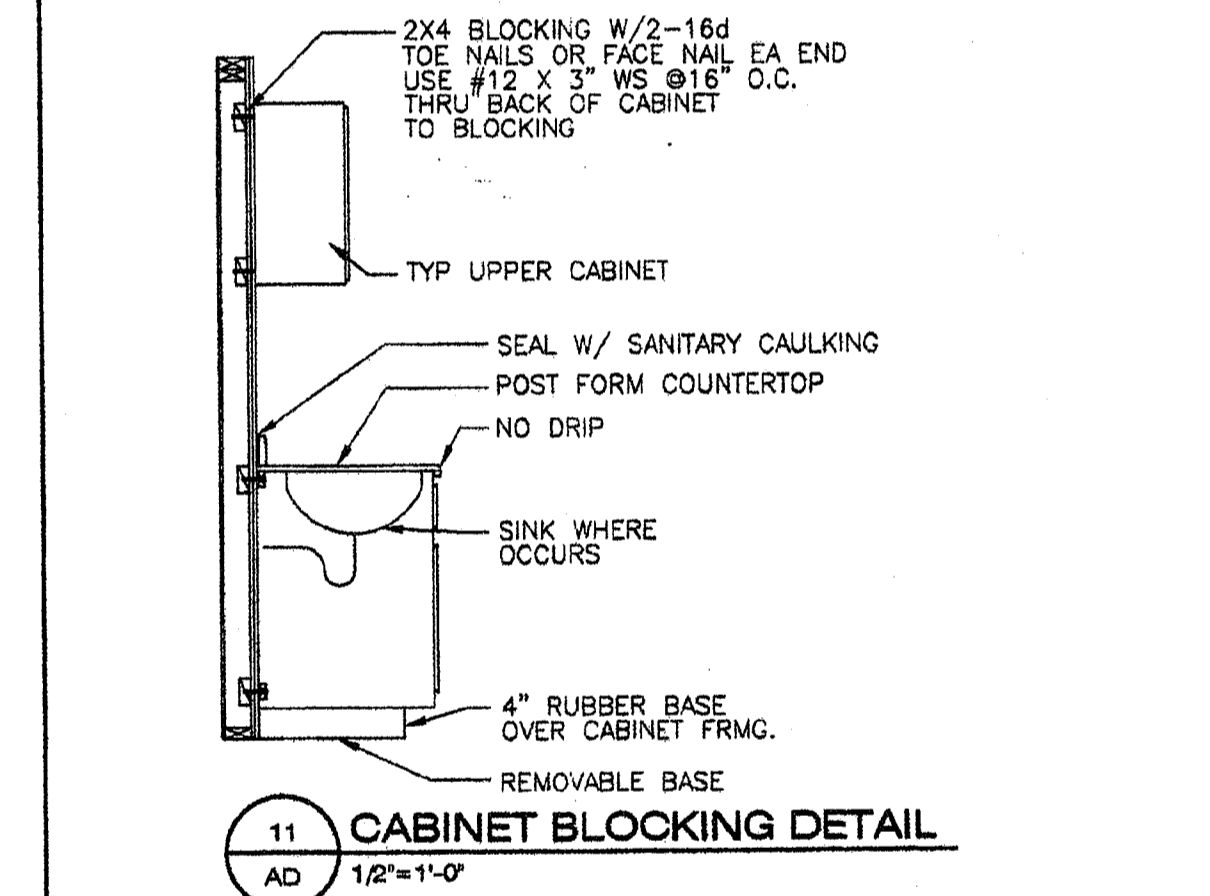


| FIXTURE TYPE | ADULT (AGE 12 AND OVER) DIMENSION | ELEMENTARY DIMENSION | KINDERGARTEN & PRE-SCHOOL DIMENSION | REMARKS |
|---|-----------------------------------|----------------------|-------------------------------------|--|
| A TOILET CENTERLINE FROM WALL | 18" | 15" | 12" | FLUSH VALVE TO WIDE SIDE OF STALL TYP. |
| B TOILET SEAT HEIGHT (TO TOP OF SEAT) | 17"-19" | 15" | 10"-12" | 18" GRAB BAR @ REAR OF TOILET (250 LB CAPACITY TYP) (ALLOWED @ 36" A.F.F. @ TANK TYPE TOILET) 42" GRAB BAR @ SIDE OF TOILET |
| C GRAB BAR HEIGHT | 33" | 27" | 20"-22" ABOVE SEAT * | |
| D TOILET PAPER DISPENSER IN FRONT OF TOILET (TPD) | 12" MAX. | 6" MAX. | 6" MAX. ** | 12" IN FRONT OF TOILET ROLL PAPER HOLDER WITHOUT STOPS |
| E NAPKIN DISPOSAL IN FRONT OF TOILET (SND) | 12" MAX. | 12" MAX. | N/A | 24" IN FRONT OF TOILET (BY OWNER) |
| F DISPENSER OR MIRROR HEIGHT | 40" MAX. | 36" MAX. | 32" MAX. | |
| G LAVATORY/SINK TOP HEIGHT | 34" MAX. | 29" MAX. | 24" MAX. | WRAP DRAIN WATER IF HOT WATER OCCURS |
| H LAVATORY/SINK KNEE CLEARANCE | 27" MIN. | 24" MIN. | 19" MIN. | |
| I URINAL LIP HEIGHT | 17" MAX. | 15" MAX. | 13" MAX. | |
| J URINAL FLUSH HANDLE HEIGHT | 44" MAX. | 37" MAX. | 32" MAX. | |
| K DRINKING FOUNTAIN BUBBLER HEIGHT | 36" MAX. | 32" MAX. | 30" MAX. | |
| L DRINKING FOUNTAIN KNEE CLEARANCE | 27" MIN. | 24" MIN. | 22" MIN. | |
| M RAMP/STAIR HANDRAIL HEIGHT | 34"-38" | 27" | 22" | |

* = ABOVE SEAT
** = DEVIATES FROM CODE REQUIREMENTS AND REQUIRES A WRITTEN FINDING OF UNREASONABLE HARDSHIP
NOTE: 1. ALL ITEMS ON THIS SCHEDULE DO NOT NECESSARILY OCCUR IN THE PROJECT
2. HEIGHTS NOTED ON INTERIOR ELEVATIONS SHALL GOVERN OVER THOSE SHOWN HERE.

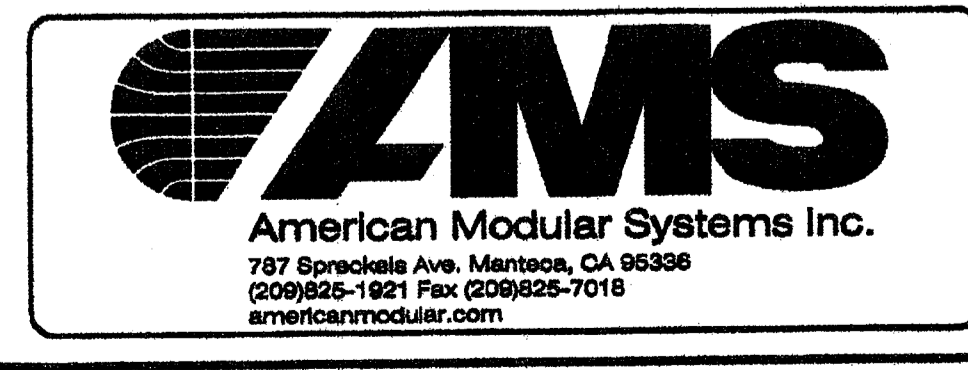
SCD = SEAT COVER DISPENSER TPD = TOILET PAPER DISPENSER
PTD = PAPER TOWEL DISPENSER SND = SANITARY NAPKIN DISPOSAL (WHERE APPLICABLE)
SD = SOAP DISPENSER SD = SOAP DISPENSER (ALL TOILET ACCESSORIES ARE N.I.C.)

THIS DIAGRAM ILLUSTRATES THE SPECIFIC REQUIREMENTS OF THESE REGULATIONS AND IS INTENDED ONLY AS AN AID FOR BUILDING AND CONSTRUCTION



| NO. | DATE | DESCRIPTION |
|-----|------|-------------|
| | | |
| | | |
| | | |

DATE: 3/10/09
SCALE: NOTED
DRAWN BY: DM
SERIAL NO.:
CUSTOMER:
2 1/2:12 PITCHED ROOF 30' x 32' THRU 120' x 32' RELOCATABLE BUILDINGS ACCESSIBLE DETAILS



APPROVALS:
PROJECT No. PC
AD

IDENTIFICATION STAMP
DIV. OF THE STATE ARCHITECT
OFFICE OF REGULATION SERVICES
PC 02-100701
DATE: 3/19/09