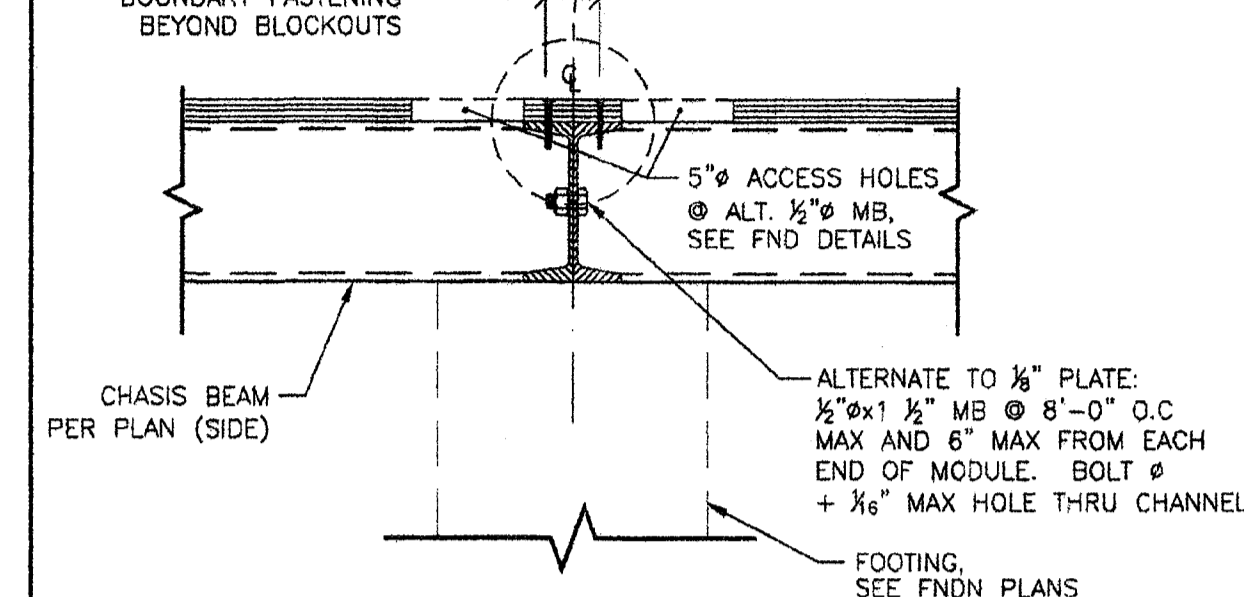
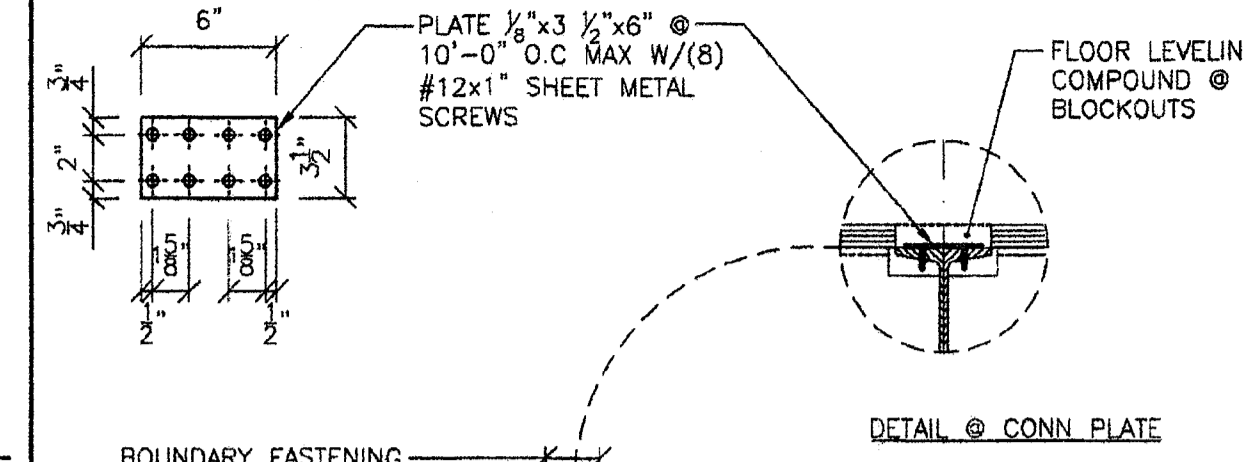
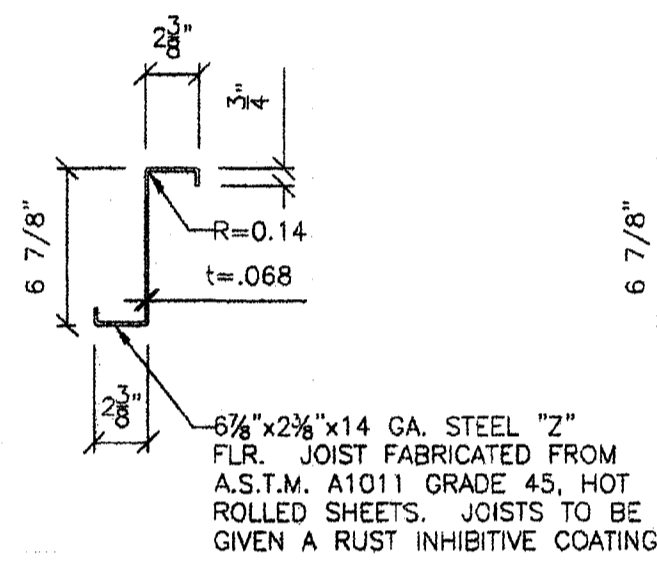


1 TYP. Z-JOIST ATTACHMENT TO BEAM  
S2 1 1/2"=1'-0"



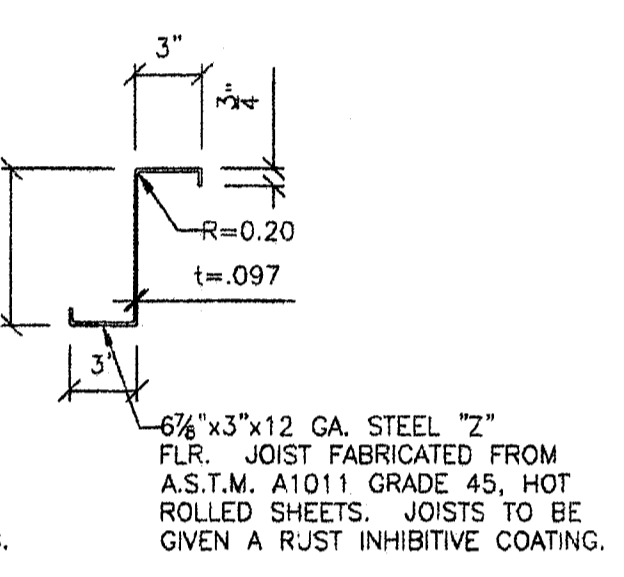
3 TYP. BEAM TO BEAM CONNECTION  
S2 1 1/2"=1'-0"



14 GA. JOIST

Z SECTION PROPERTIES

A=0.89 IN. <sup>2</sup>
S <sub>x</sub> =1.85 IN. <sup>3</sup>
I <sub>x</sub> =6.37 IN. <sup>4</sup>

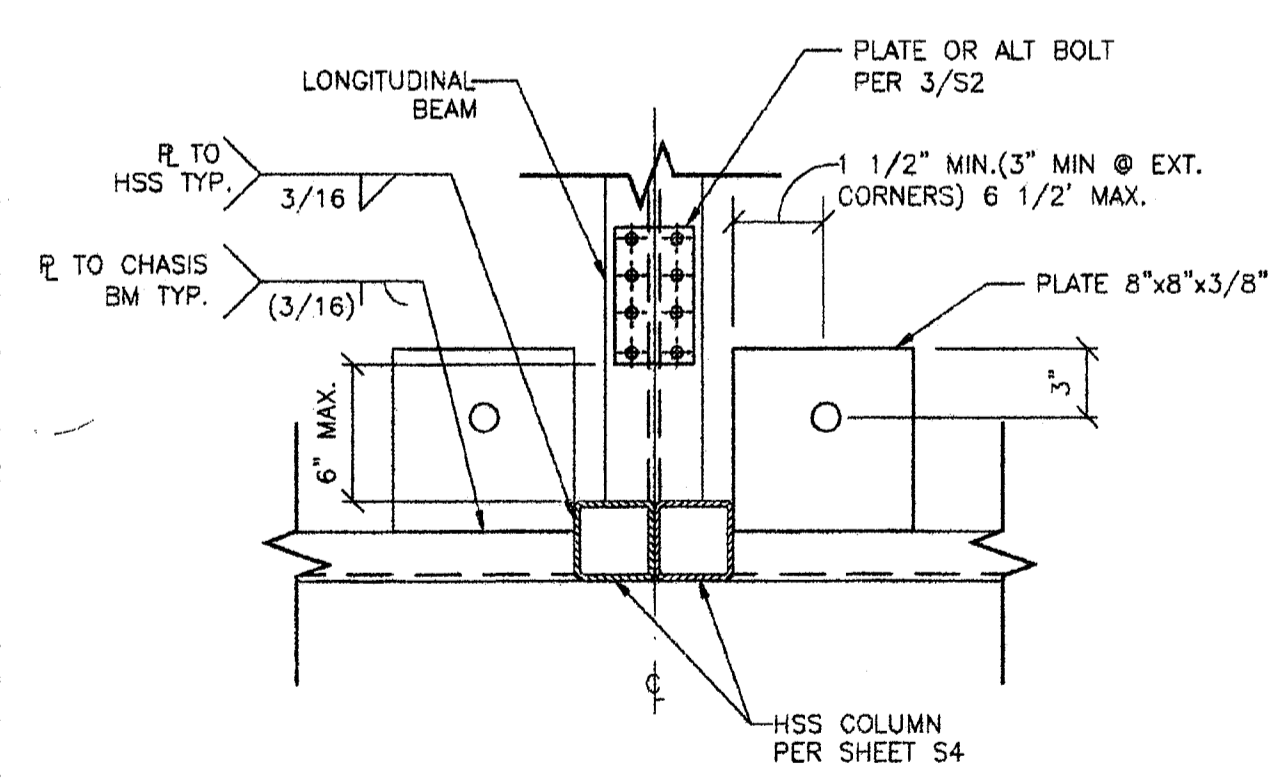


12 GA. JOIST

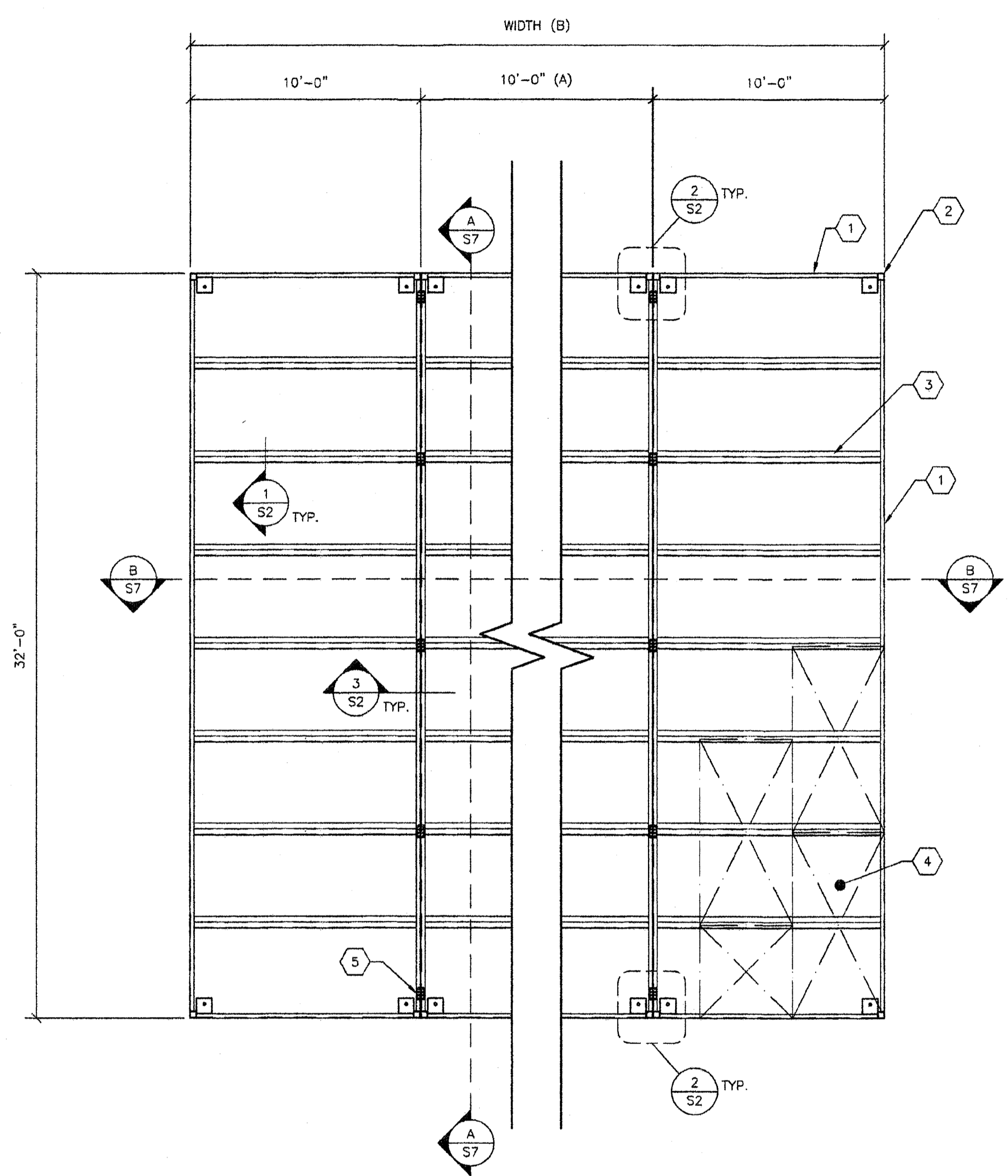
Z SECTION PROPERTIES

A=1.38 IN. <sup>2</sup>
S <sub>x</sub> =2.97 IN. <sup>3</sup>
I <sub>x</sub> =10.20 IN. <sup>4</sup>

1A TYP. Z-JOISTS  
S2 1 1/2"=1'-0"



2 TYP. FL. BEAM CONNECTION  
S2 1 1/2"=1'-0"



A TYPICAL FLOOR FRAMING LAYOUT  
S2 1/4"=1'-0" PLYWOOD FLOOR

**- KEY NOTES -**

- C 7x9.8 FLOOR BEAM ALTERNATE C10x15.3
- HSS COLUMN PER SHEET S4
- FLOOR JOIST (1A/S2)

FLOOR JOIST SCHEDULE	
LIVE LOAD PSF	SPACING
	14 GA. JOIST
50	48" O.C.
60	48" O.C.
70	48" O.C.
80	48" O.C.
90	48" O.C.
100	48" O.C.

- 1 1/8" T&G PLYWOOD FLOOR SHT'G STURD-I-FLOOR 48" O.C. SPAN RATING EXP. 1 CONFORMING TO PS 1-07. OPTION: UNI-FLOOR BY PITTSBURGH TESTING LAB CONFORMING TO PS 1-07. STAGGER SHEETS 48" O.C AS SHOWN W/ FACE GRAIN NORMAL TO FLOOR JOISTS. FASTENING: BOUNDARY OF EA. MODULE: #12x2 1/4" WOOD TEK @ CHANNEL @ 6" O.C. PANEL EDGES: ET&F 0.144"x2" MIN. POWER DRIVEN PINS @ 6" O.C. FIELD: ET&F 0.144"x2" MIN. POWER DRIVEN PINS @ 10" O.C.  
NOTE: SEE ICC ER-4144 FOR ET&F BRAND PNEUMATIC PINS.
- PLATE 1/8"x 3 1/2"x6" @ 10'-0" O.C. MAX W/(8)#12x1" SHEET METAL SCREWS, SEE 2/52. ALTERNATE: 1/2" x 1 1/2" MB @ 8'-0" O.C. MAX AND 6" MAX FROM EACH END OF MODULE. BOLT @ +1/16" MAX HOLE THRU CHANNELS SEE 3/52

**- GENERAL NOTES -**

- THE LONGITUDINAL FLOOR CHANNEL CONNECTIONS ARE NOMINAL AND ARE NOT REQUIRED STRUCTURALLY AT BUILDINGS ON CONCRETE FOUNDATIONS.
- THE MATERIAL THICKNESS OF STRUCTURAL MEMBER, IN THEIR END-USE, SHALL MEET OR EXCEED THE MINIMUM BASE METAL THICKNESS SPECIFIED IN THE TABLE OR IN THE PLAN. THE MATERIAL GAGE DESIGNATION IN THE PLAN SHALL BE USED AS REFERENCE ONLY.

**- MODULE SCHEDULE -**

BLDG SIZE (FT)	TOTAL # OF 10' WIDE MODULES	"A" TOTAL # OF CENTER MODULES	"B" TOTAL BLDG WIDTH
30' x 32'	3	1	30'-1/2"
40' x 32'	4	2	40'-1"
50' x 32'	5	3	50'-1/2"
60' x 32'	6	4	60'-1"
70' x 32'	7	5	70'-1/2"
80' x 32'	8	6	80'-1"
90' x 32'	9	7	90'-1/2"
100' x 32'	10	8	100'-1"
110' x 32'	11	9	110'-1/2"
120' x 32'	12	10	120'-1"

**REVISIONS**

NO	DATE	DESCRIPTION

DATE: 04/27/09  
SCALE: NOTED  
DRAWN BY: D.M.  
SERIAL NO.:

CUSTOMER:  
2 1/2:12 PITCHED ROOF 30' x 32' THRU 120' x 32' RELOCATABLE BUILDINGS FLOOR FRAMING PLAN & DETAILS (PLYWOOD)

**AMS**  
American Modular Systems Inc.  
787 Spreckle Ave. Manteca, CA 95336  
(209)825-1921 Fax: (209)825-7018  
americanmodular.com

**APPROVALS:**

THESE DRAWINGS ARE PRELIMINARY AND NOT FOR CONSTRUCTION UNLESS STAMPED & SIGNED BY THE ENGINEER OF RECORD.

REGISTERED PROFESSIONAL ENGINEER  
Kenneth A. Luthel  
No. 1418  
Exp. 9-31-11  
Structural Engineer  
STATE OF CALIFORNIA

IDENTIFICATION STAMP  
DIV. OF THE STATE ARCHITECT  
OFFICE OF REGULATION SERVICES

03 112884  
AC: FLS SS: [Signature]  
DATE: 8-18-09

IDENTIFICATION STAMP  
DIV. OF THE STATE ARCHITECT  
OFFICE OF REGULATION SERVICES

PC 02-108701  
AC: FLS SS: [Signature]  
DATE: 6/19/09

PROJECT No.  
**S2**

THESE DRAWINGS AND SPECIFICATIONS ARE THE PROPERTY OF AMERICAN MODULAR SYSTEMS, INC. AND ARE NOT TO BE REPRODUCED, COPIED OR USED IN ANY FORM OR MANNER, NOR ARE THEY TO BE ASSIGNED TO ANY THIRD PARTY WITHOUT THE WRITTEN AUTHORIZATION OF AMERICAN MODULAR SYSTEMS, INC.