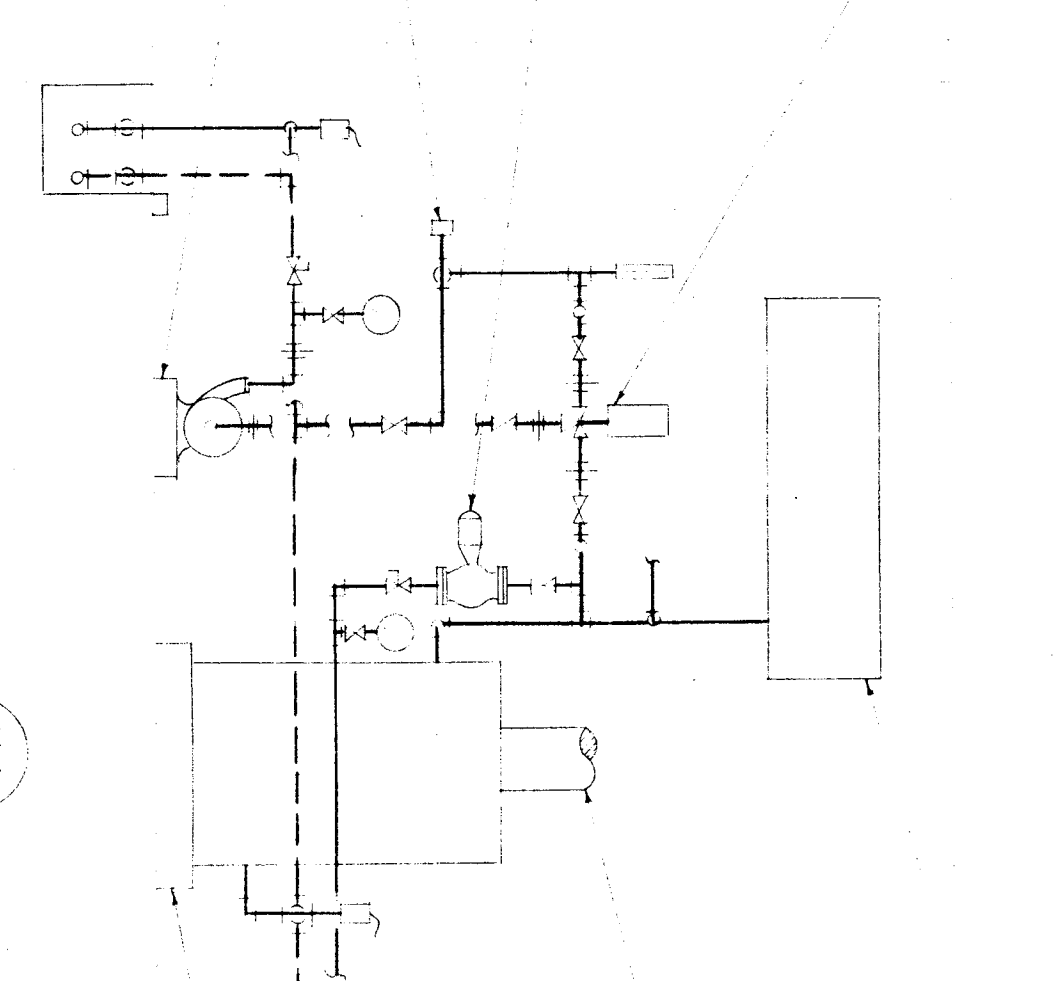
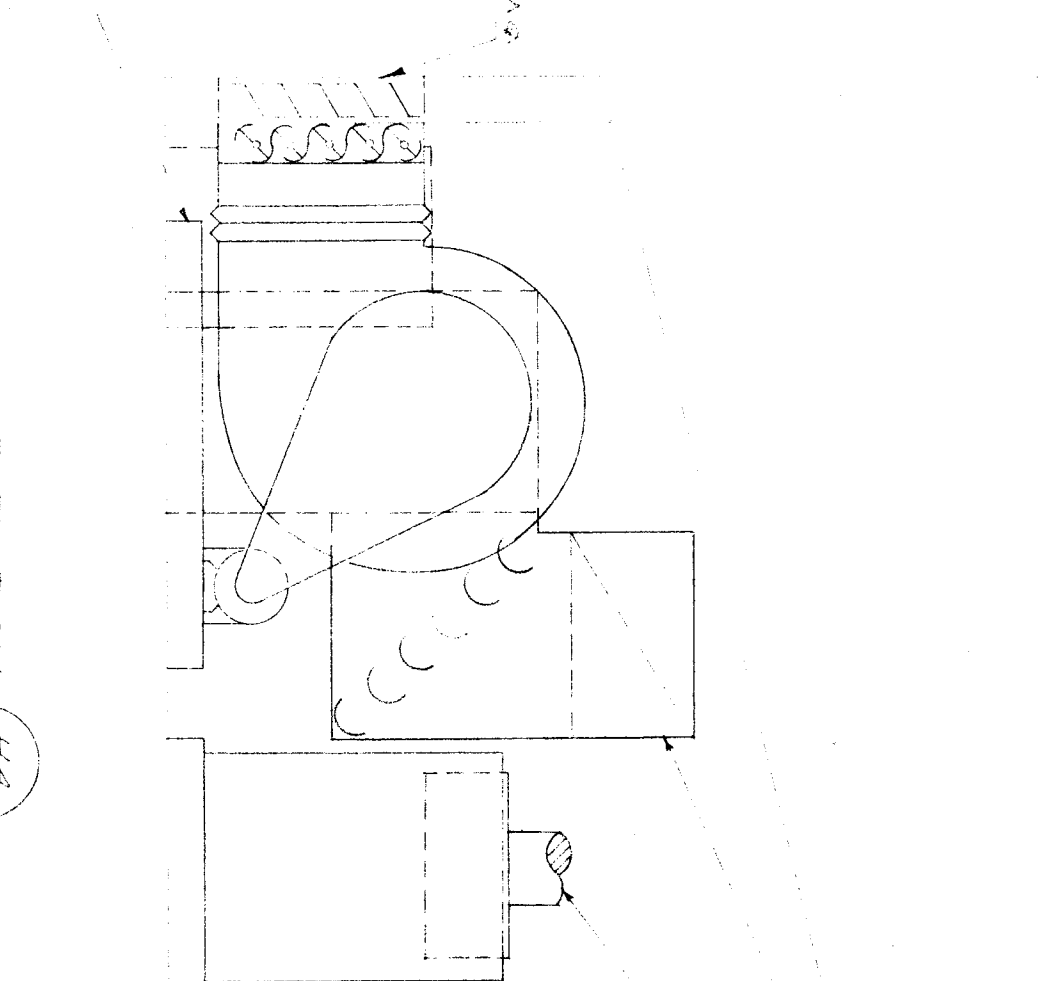


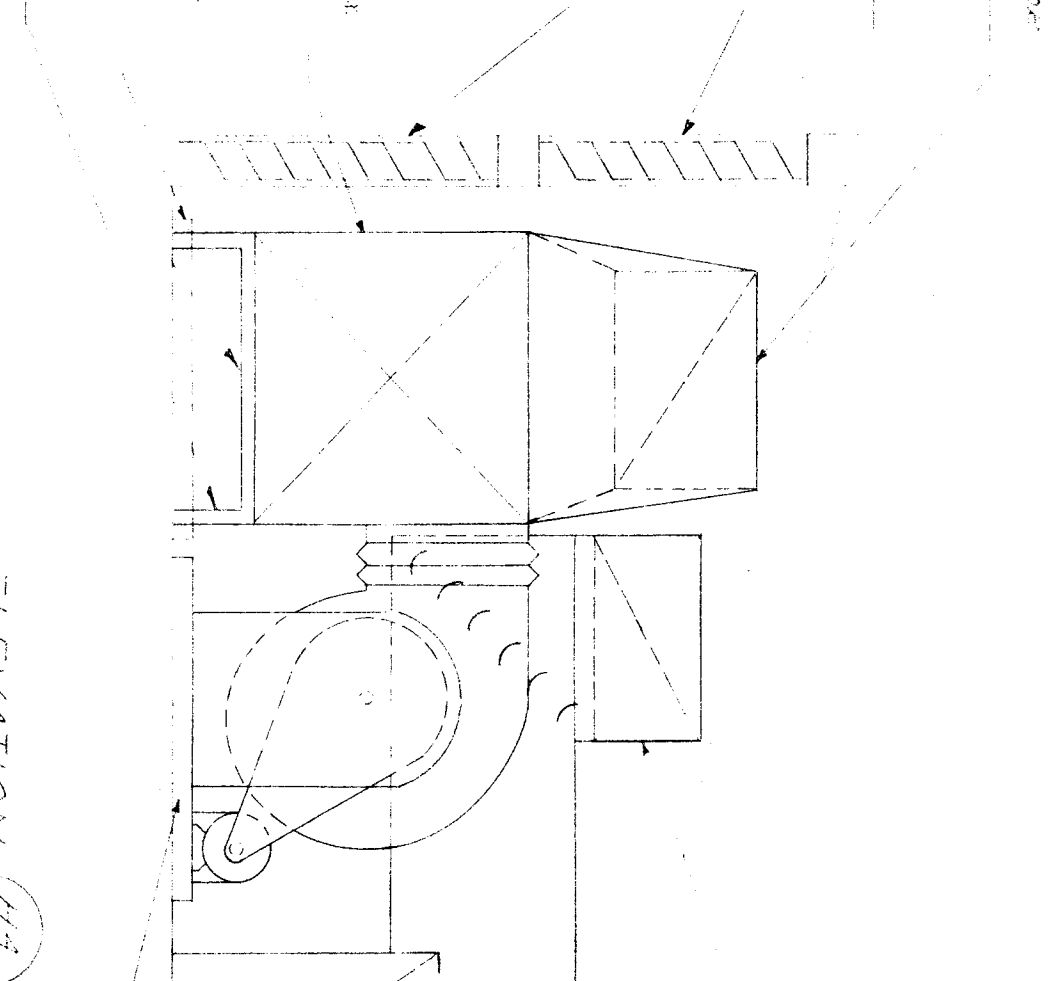
STACK DETAIL A
SCALE 3/8" = 1"



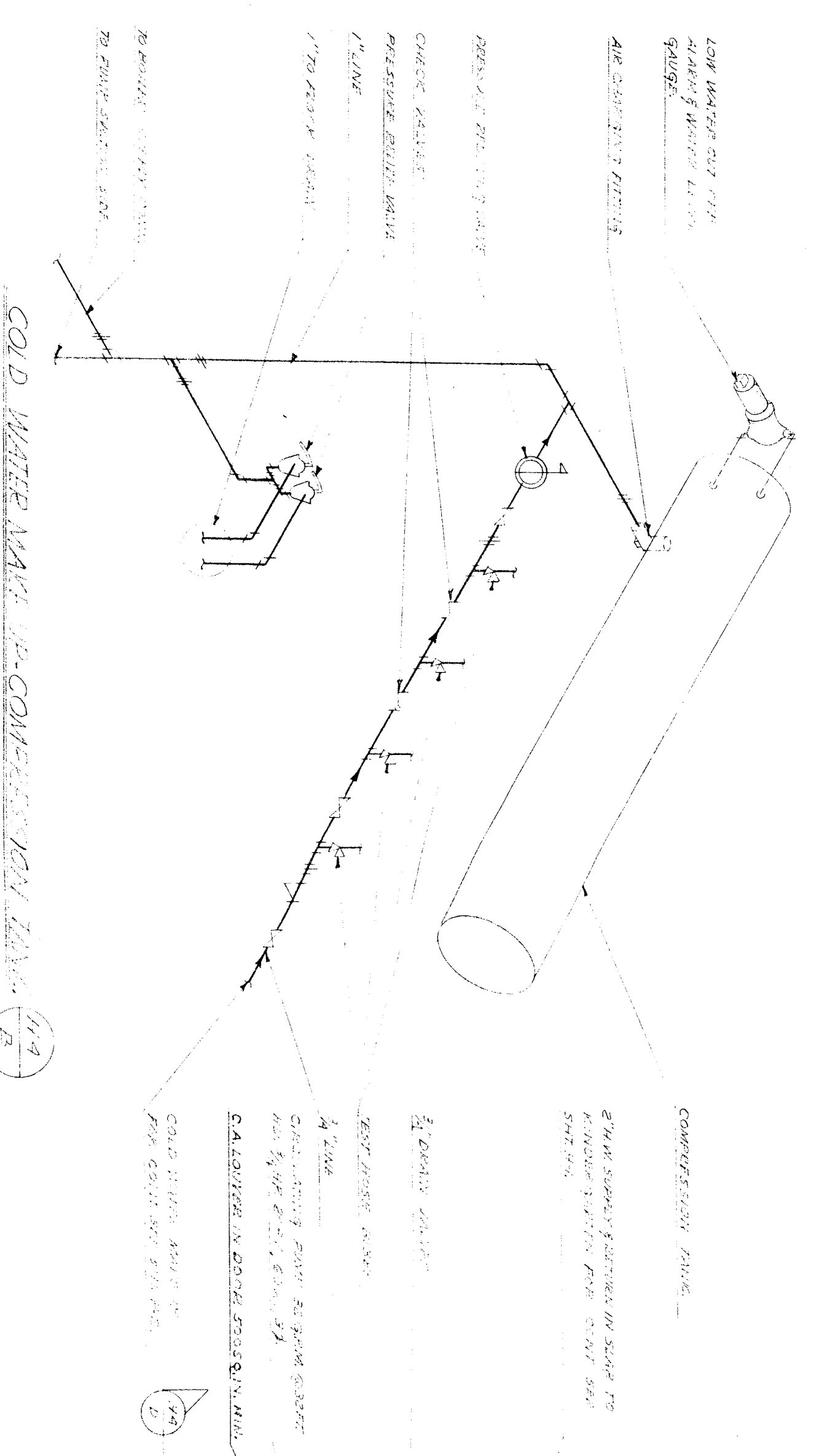
ELEVATION H4
SCALE 3/8" = 1"



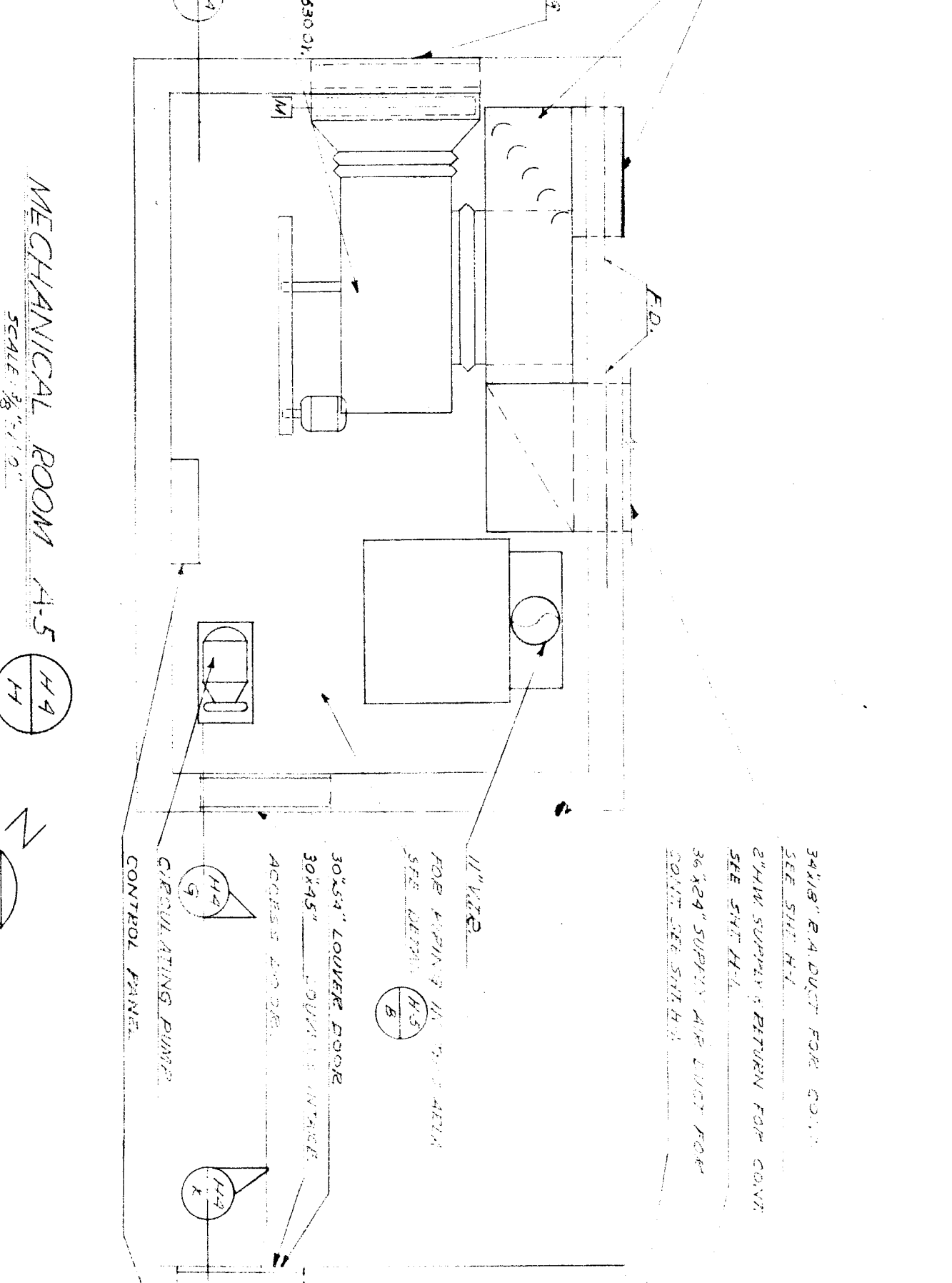
ELEVATION H4
SCALE 3/8" = 1"



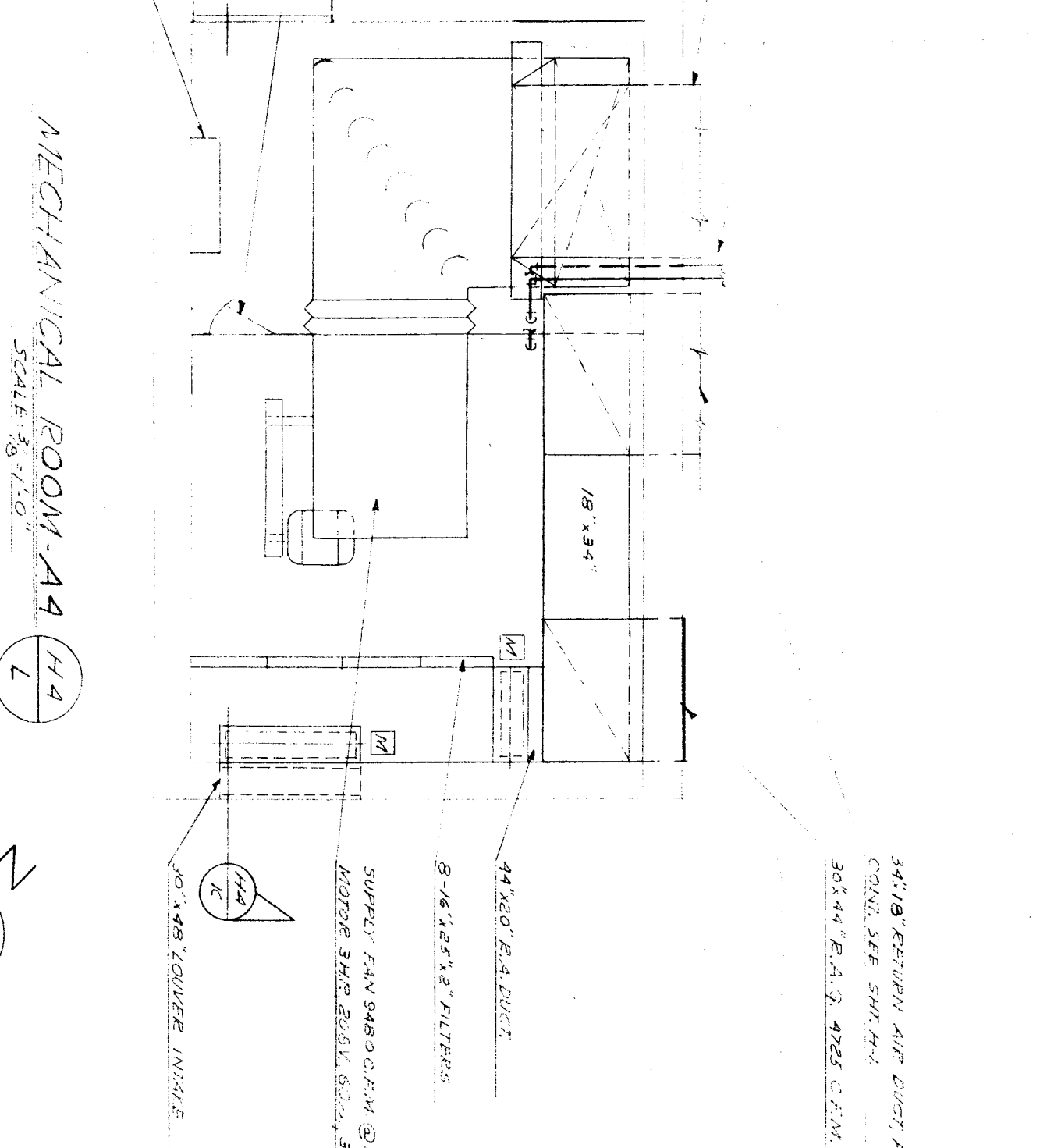
ELEVATION H4
SCALE 3/8" = 1"



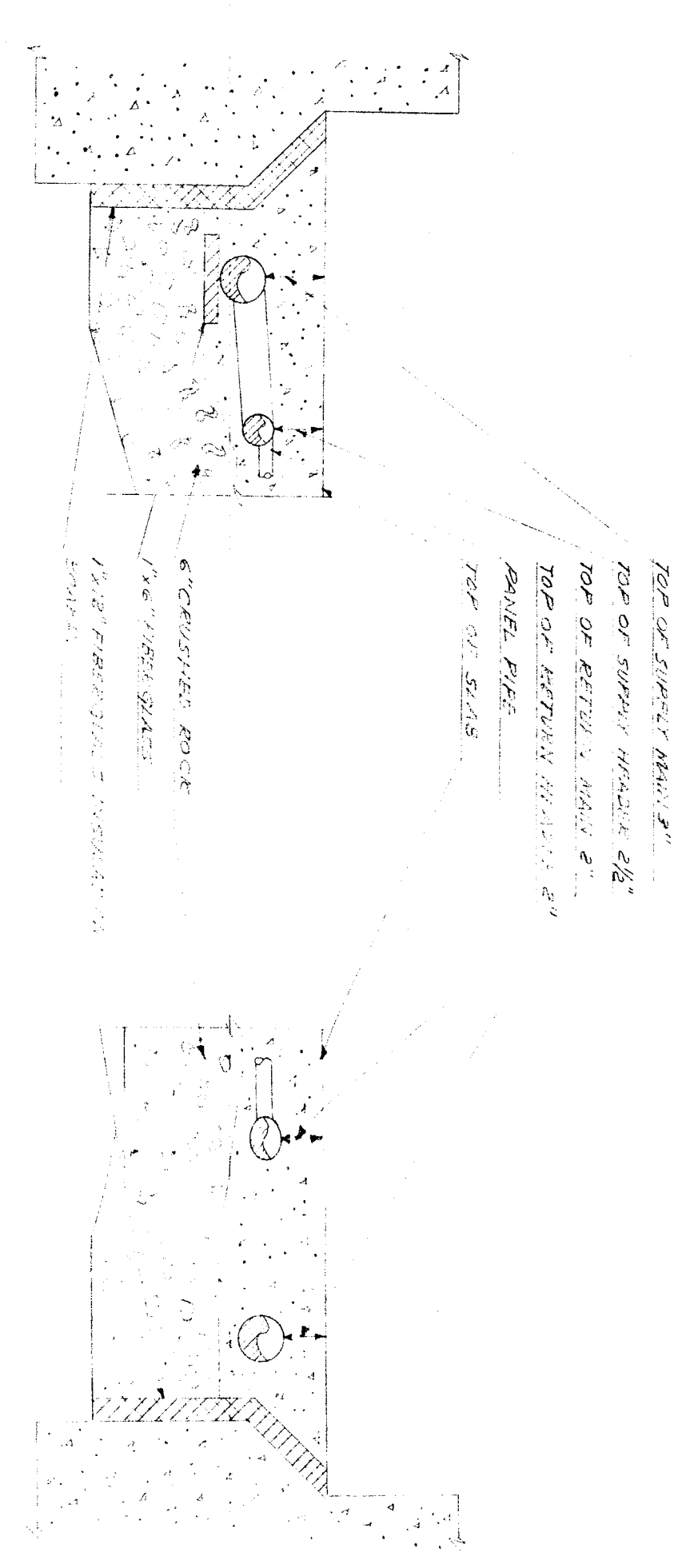
MECHANICAL ROOM 3-2
SCALE 3/8" = 1"



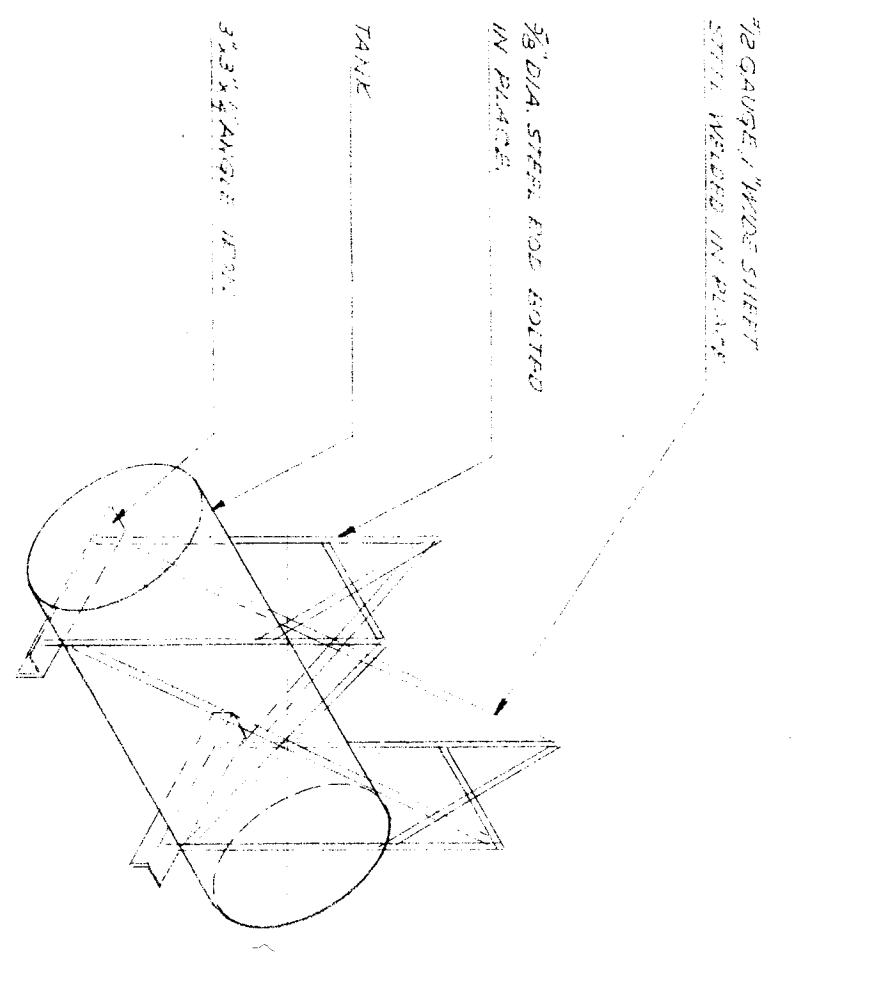
MECHANICAL ROOM 4-5
SCALE 3/8" = 1"



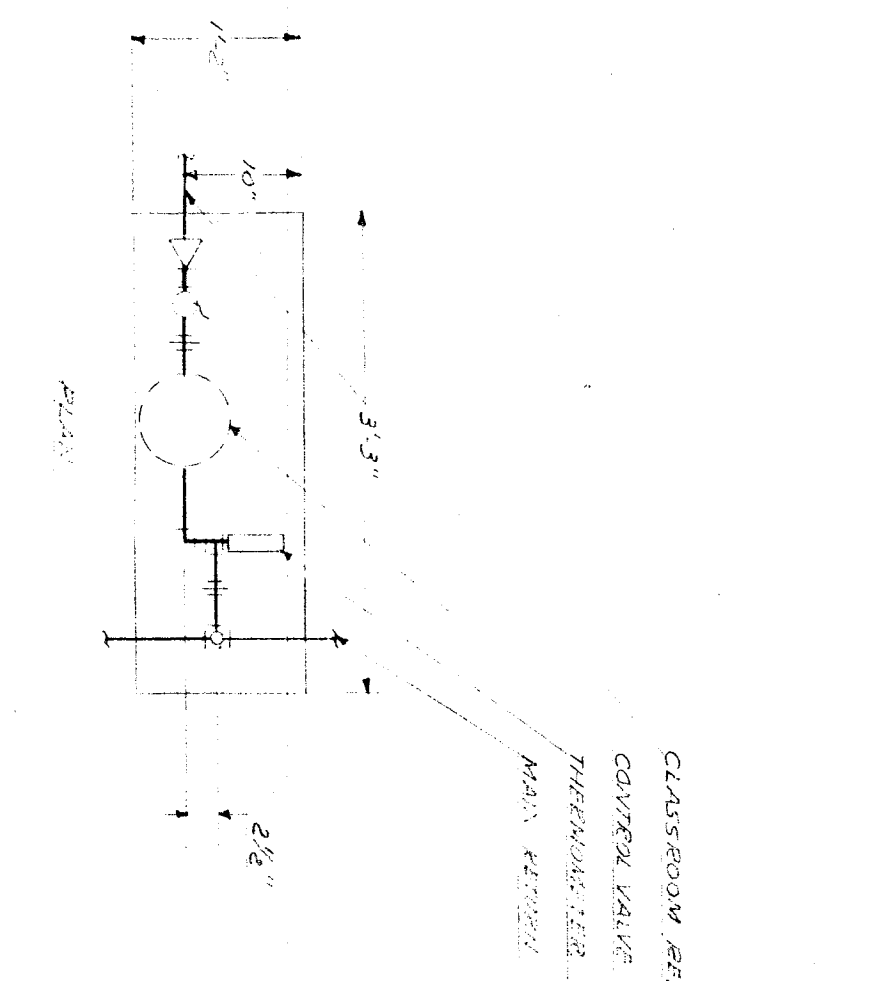
MECHANICAL ROOM 4-4
SCALE 3/8" = 1"



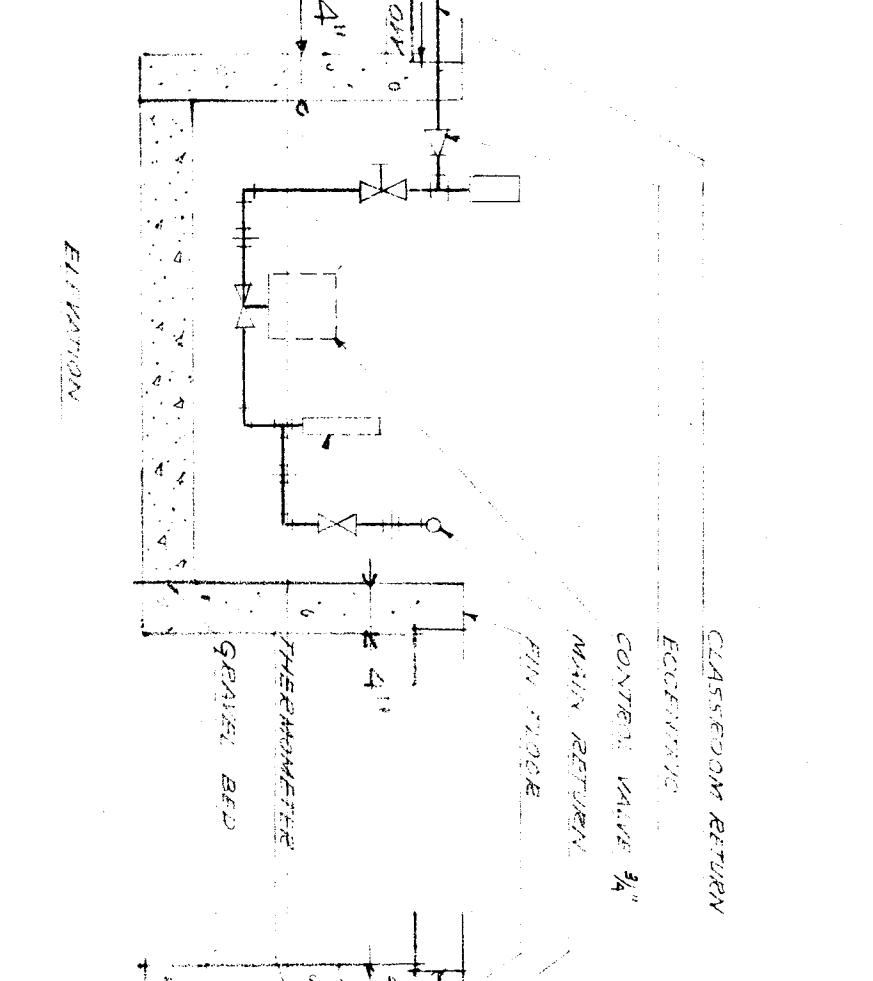
RADIANT PANEL PIPE LOCATION
NO SCALE



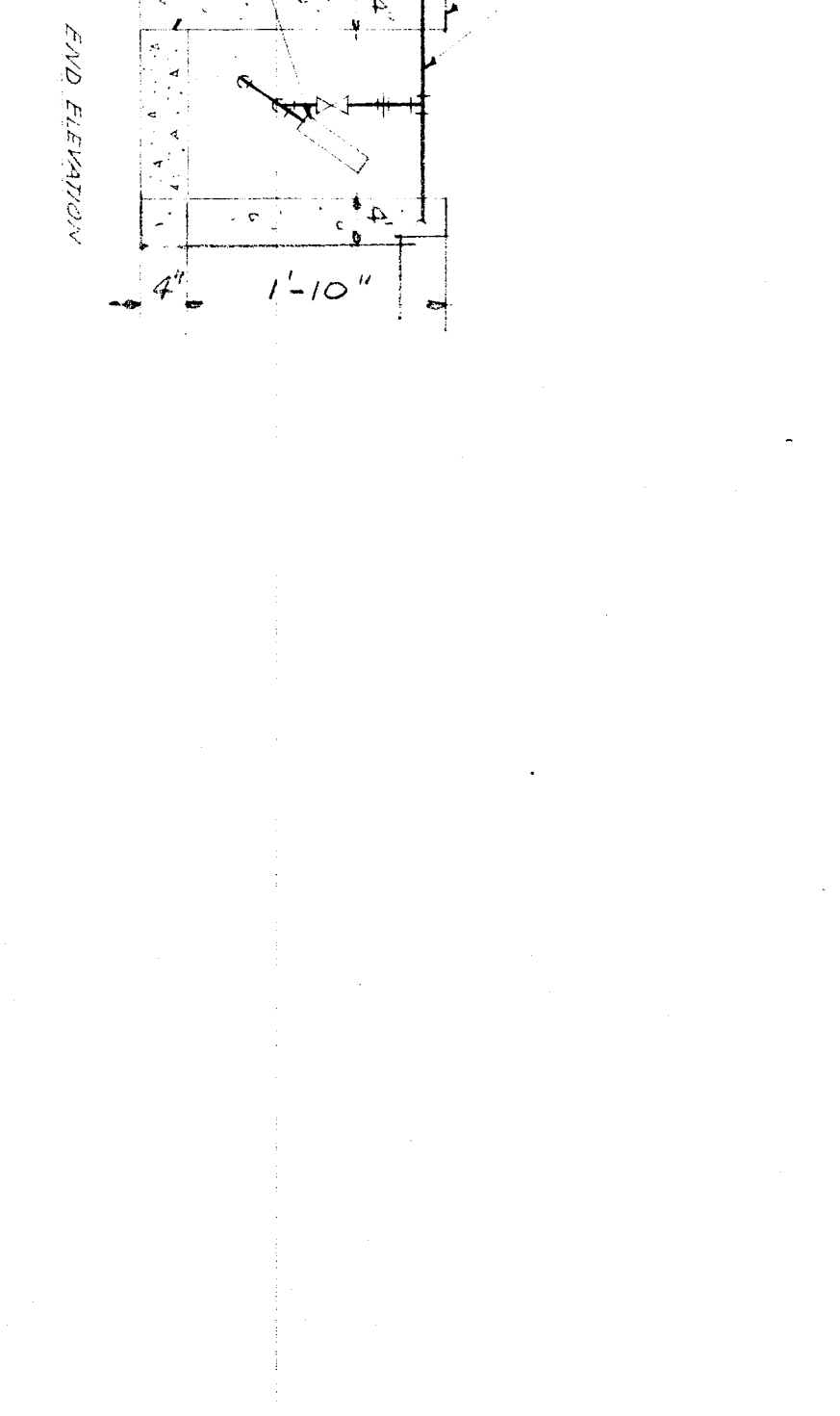
EXPANSION TANK SUPPORT
NO SCALE



TYPICAL VALVE BOX DETAIL
NO SCALE



TYPICAL VALVE BOX DETAIL
NO SCALE



TYPICAL VALVE BOX DETAIL
NO SCALE

CHESTER D. WALTZ CONSULTING MECHANICAL ENGINEER 5700 S.W. 17th STREET MIAMI, FLORIDA 33156 PHONE 305-251-1111	STATE DIVISION OF ARCHITECTURE ARCHITECTS WALTER B. WATSON & ASSOCIATES 1000 N. GULF BLVD. SUITE 1000 MIAMI, FLORIDA 33132	WRITTEN BY: WALTER B. WATSON & ASSOCIATES CHECKED BY: WALTER B. WATSON & ASSOCIATES DATE:	KERN COUNTY DEPT. OF SCHOOLS BOARD OF EDUCATION APPROVED: DATE:	BAKERSFIELD CITY SCHOOL DISTRICT APPROVED: DATE:	JOHN C. FREMONT SCHOOL FOR THE BAKERSFIELD CITY SCHOOL DISTRICT 3400 N. STREET BAKERSFIELD, KERN COUNTY, CALIFORNIA	JOB NO. 257
---	---	---	---	---	---	-------------