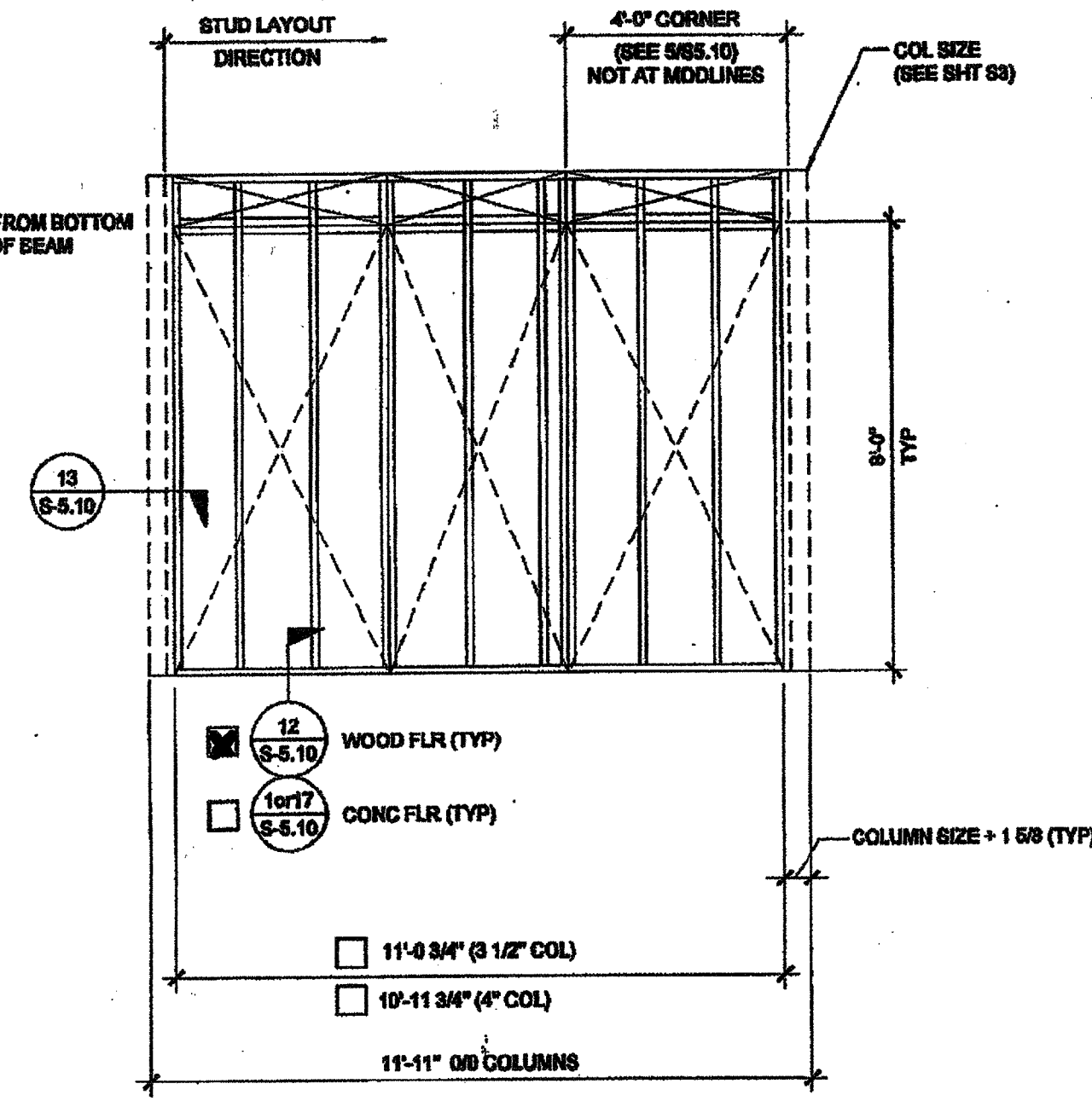
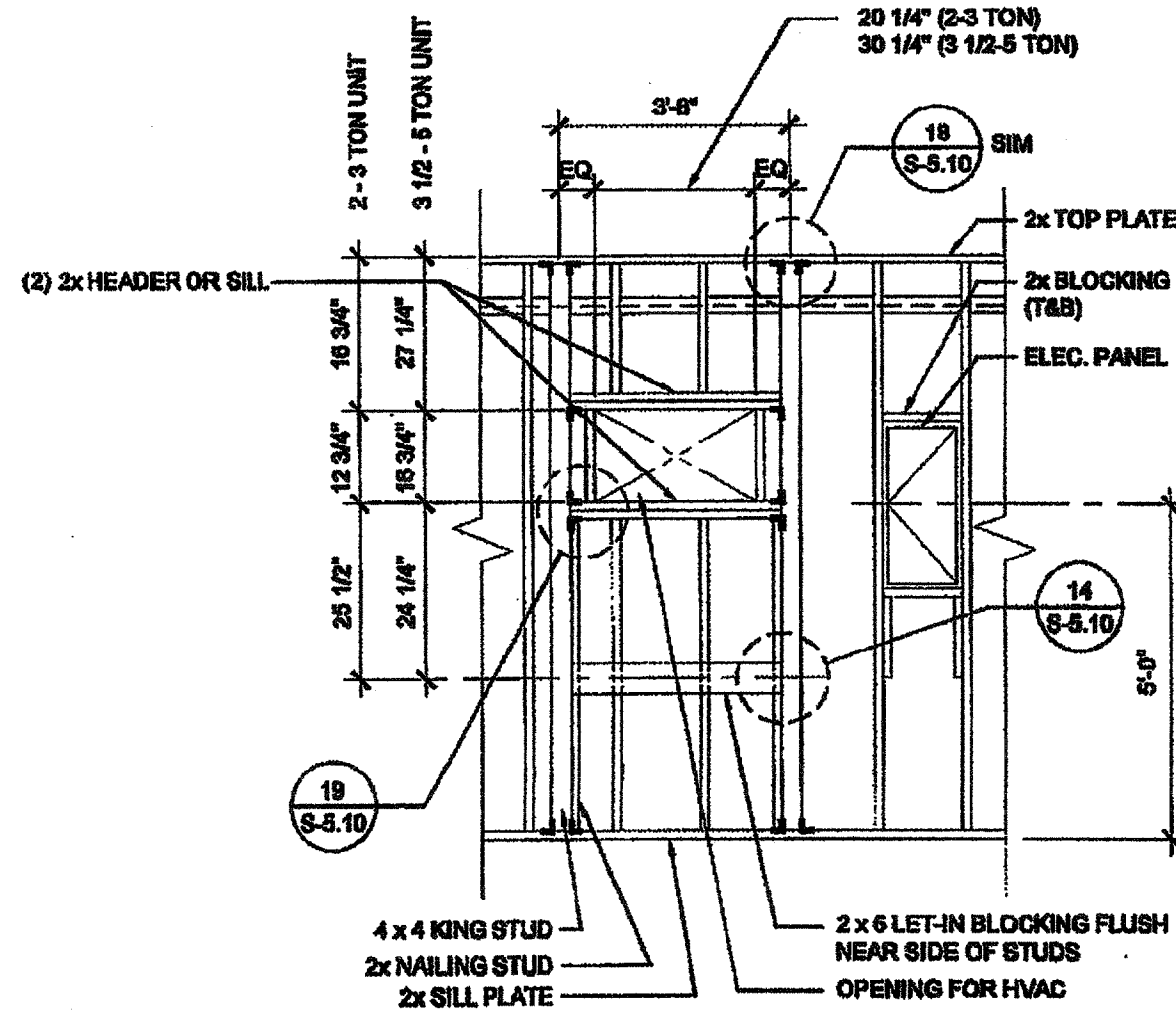


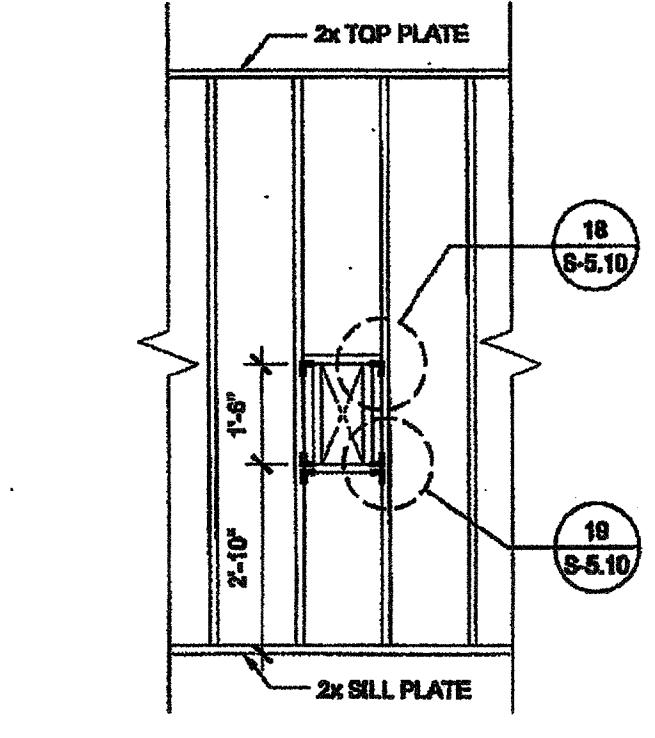
TYPICAL SIDE WALL



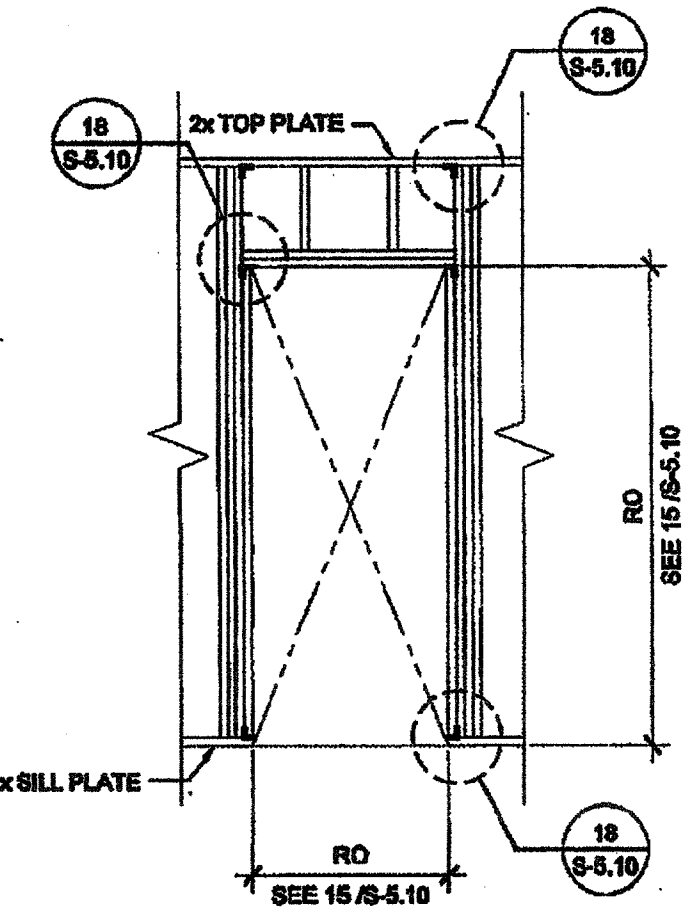
TYPICAL END WALL



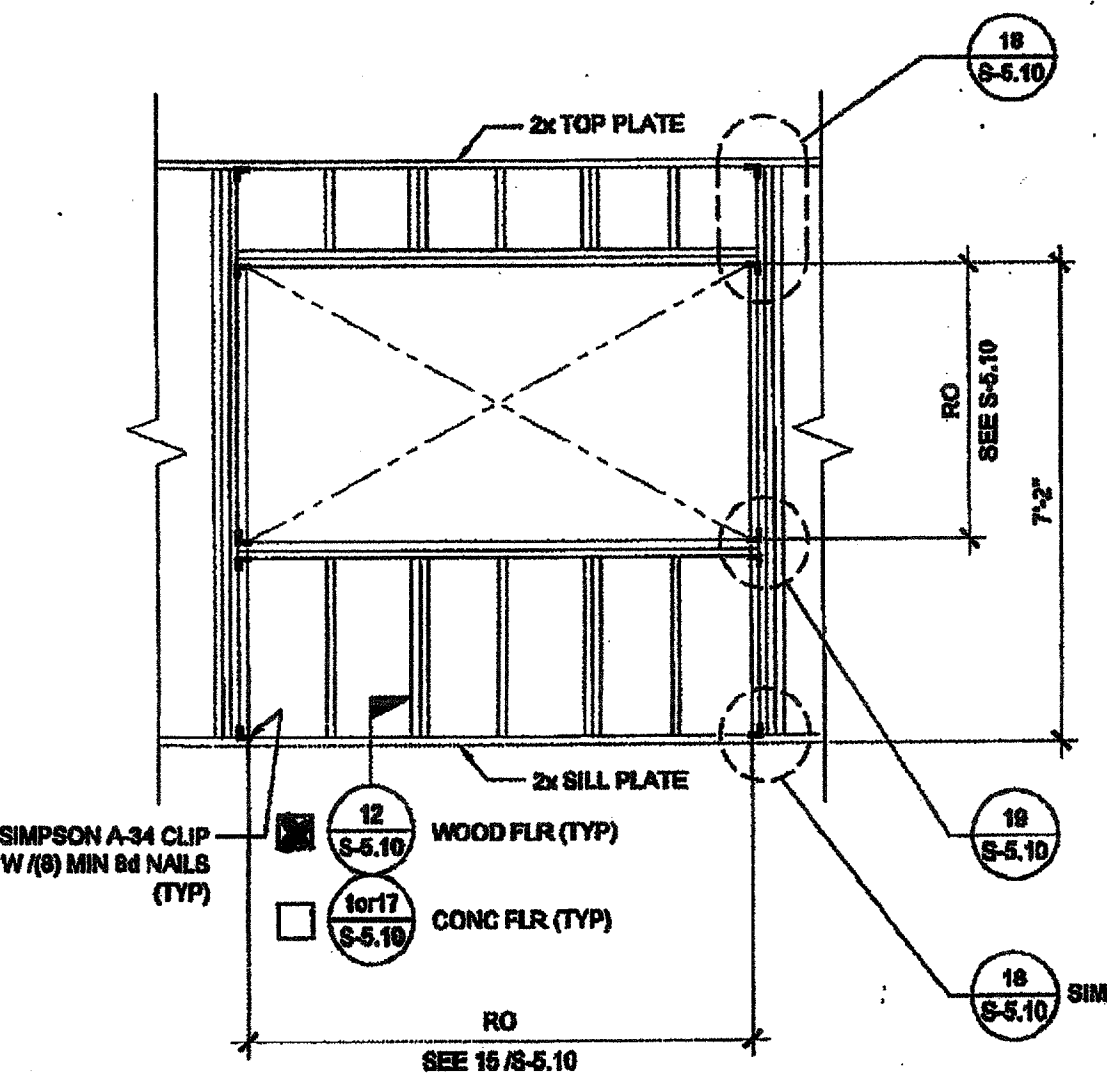
TYPICAL HVAC



FIRE EXTINGUISHER CABINET BLOCKOUT



TYPICAL DOOR



TYPICAL WINDOW

NOTES

WALL HEIGHT SCHEDULE

COLUMN HEIGHT	8'-0"	9'-0"	10'-0"	10'-6"
CONCRETE FLOOR	8'-11 7/8"	9'-6 7/8"	9'-11 7/8"	10'-6 7/8"
WOOD FLOOR	8'-10 3/4"	9'-4 3/4"	9'-10 3/4"	10'-4 3/4"

NOTE:
IF PARAPET IS USED & HIGHER THAN 18",
END WALLS MUST BE 2x6 @ 24" O.C.

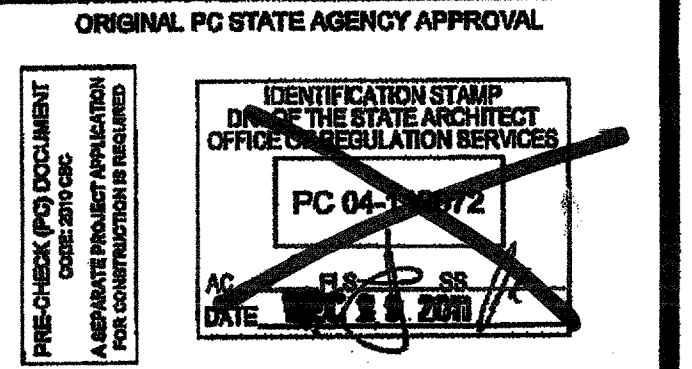
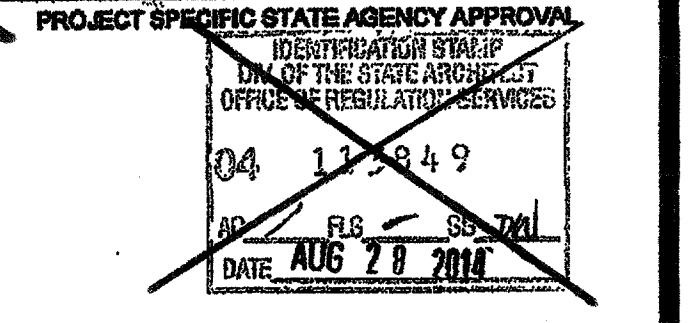
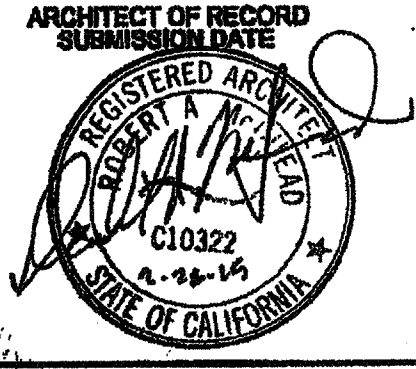
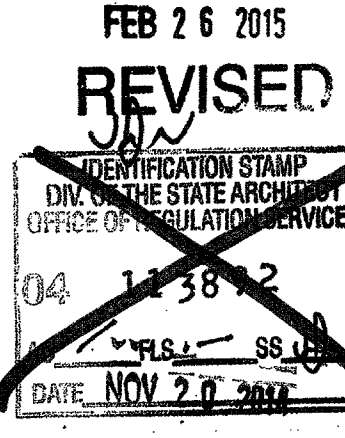
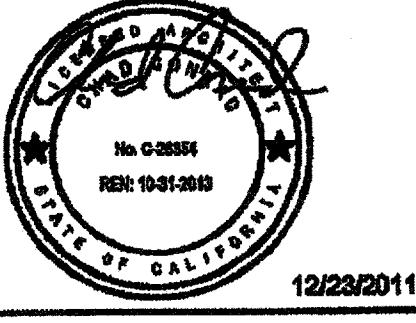
THESE DRAWINGS AND ALL MATERIAL CONTAINED HEREIN ARE THE PROPERTY OF SILVERCREEK INDUSTRIES, INC (SCI INC) AND SHALL NOT BE REPRODUCED, COPIED OR OTHERWISE DISPOSED OF DIRECTLY OR INDIRECTLY AND SHALL NOT BE USED IN WHOLE OR IN PART TO ASSIST IN THE MAKING OF OR FOR THE PURPOSE OF FURNISHING ANY INFORMATION FOR THE MAKING OF DRAWINGS, PRINTS, APPARATUS OR PARTS THEREOF WITHOUT THE FULL KNOWLEDGE AND WRITTEN CONSENT OF SCI INC.
ALL PATENTABLE MATERIAL CONTAINED HEREIN AND ORIGINATING WITH SCI INC SHALL BE THE PROPERTY OF SCI INC

SILVER CREEK INDUSTRIES, INC.



PROJECT NAME:
CLASS LEASING CLASSROOMS BLDG'S

SHEET TITLE:
WALL FRAMING ELEVATIONS WOOD STUDS



REVISIONS

SILVER CREEK INDUSTRIES
24' x 40' PC

PROJECT NO:
DRAWN BY:
SCALE: AS NOTED
DATE: 12-23-11

P.C. SHEET NUMBER
S-5.00

STKP 126

IDENTIFICATION STAMP
DIV. OF THE STATE ARCHITECT
APD03 116973
AC FLS SS
DATE 11 8 2015