

THESE DRAWINGS AND ALL MATERIAL CONTAINED HEREIN ARE THE PROPERTY OF SILVER CREEK INDUSTRIES, INC. (SCI Inc) AND SHALL NOT BE REPRODUCED, COPIED OR OTHERWISE DISPOSED OF DIRECTLY OR INDIRECTLY AND SHALL NOT BE USED IN WHOLE OR IN PART TO ASSIST IN THE MAKING OF OR FOR THE PURPOSE OF FURNISHING ANY INFORMATION FOR THE MAKING OF DRAWINGS, PRINTS, APPARATUS OR PARTS THEREOF WITHOUT THE FULL KNOWLEDGE AND WRITTEN CONSENT OF SCI Inc. ALL PATENTABLE MATERIAL CONTAINED HEREIN AND ORIGINATING WITH SCI Inc SHALL BE THE PROPERTY OF SCI Inc.

SILVER CREEK INDUSTRIES, INC.



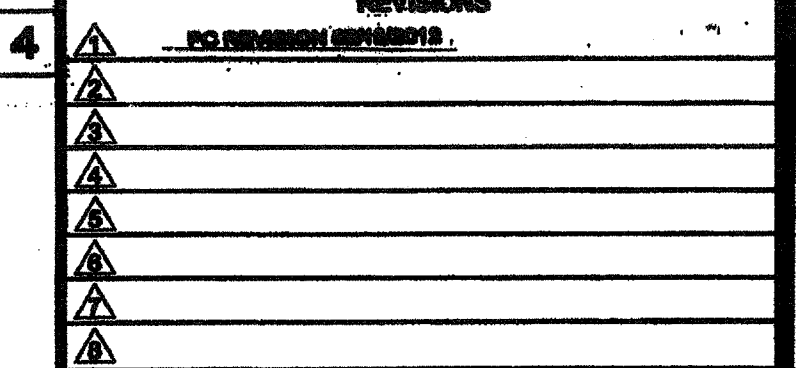
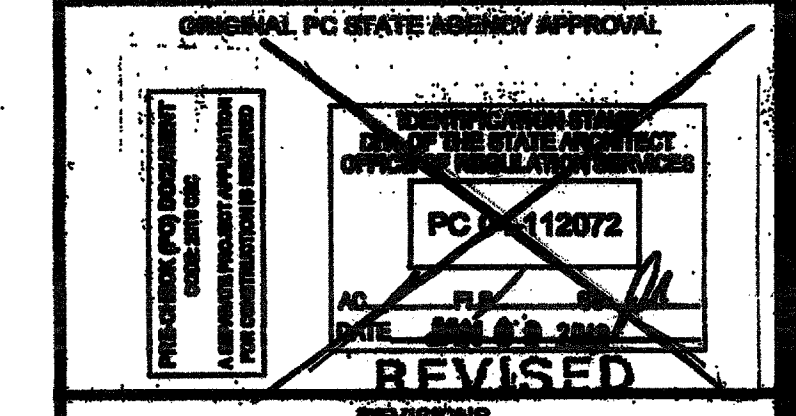
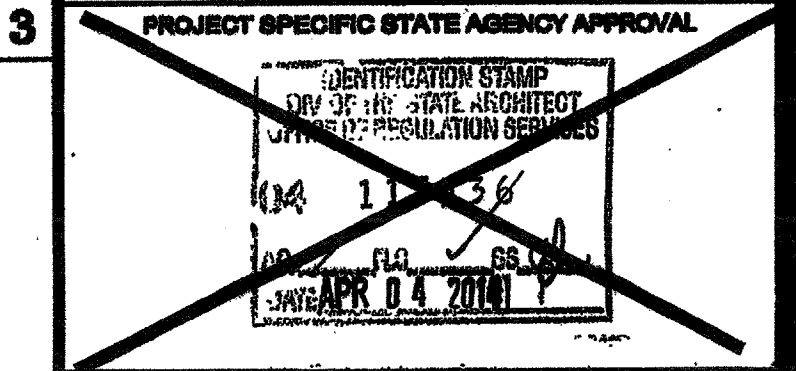
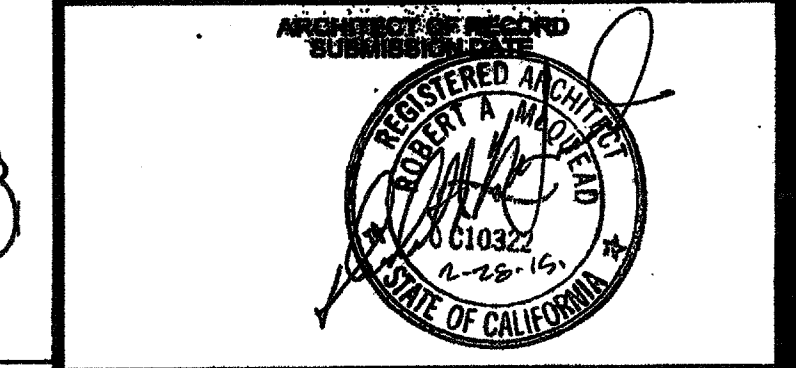
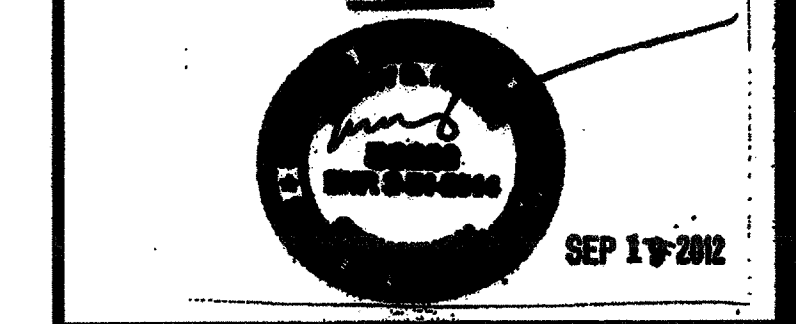
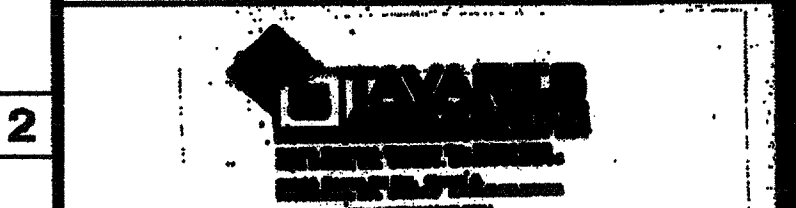
195 EAST MORGAN PERRIS, CALIFORNIA 92571
PHONE: 951-943-8393 FAX: 951-943-2211

PROJECT NAME:

CLASS LEASING CLASSROOM BLDG'S

SHEET TITLE:

FLOOR FRAMING DETAILS
WOOD FLOOR



SILVER CREEK INDUSTRIES
24' x 40' PC

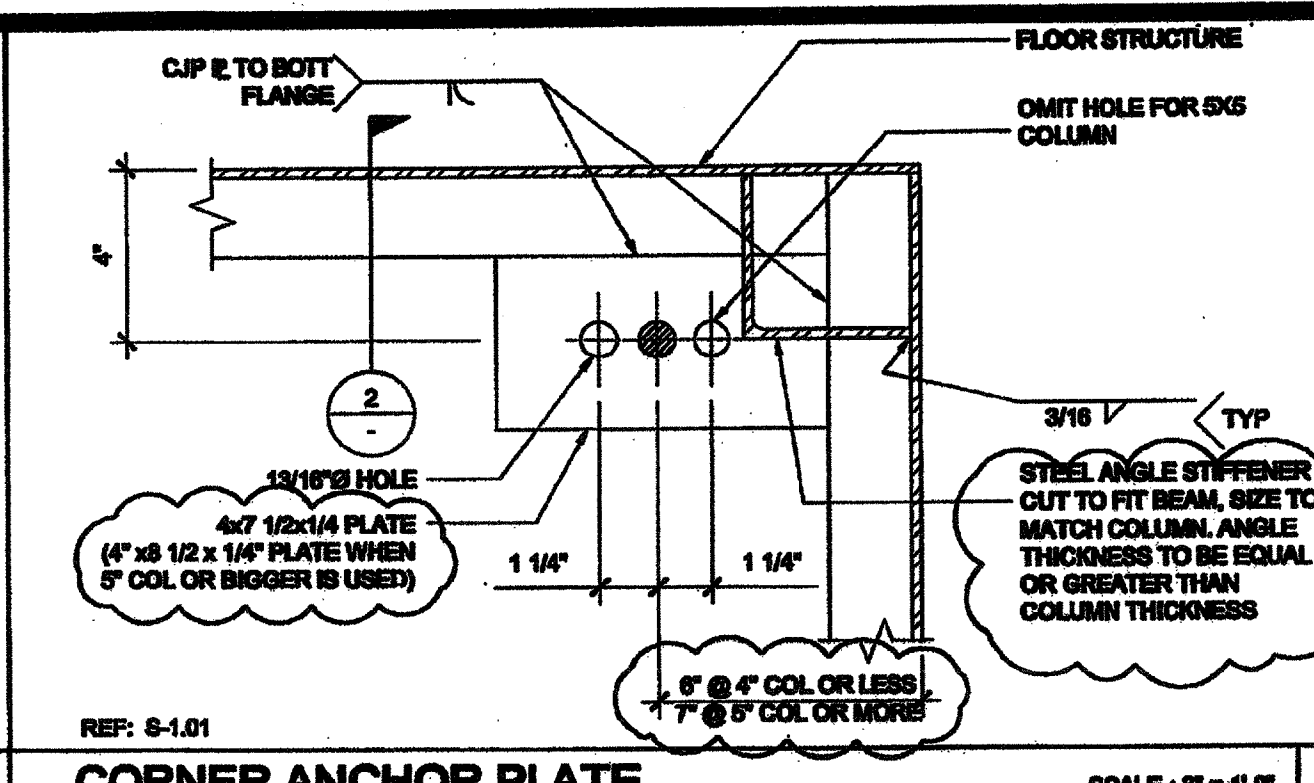
PROJECT NO:

SCALE: AS NOTED

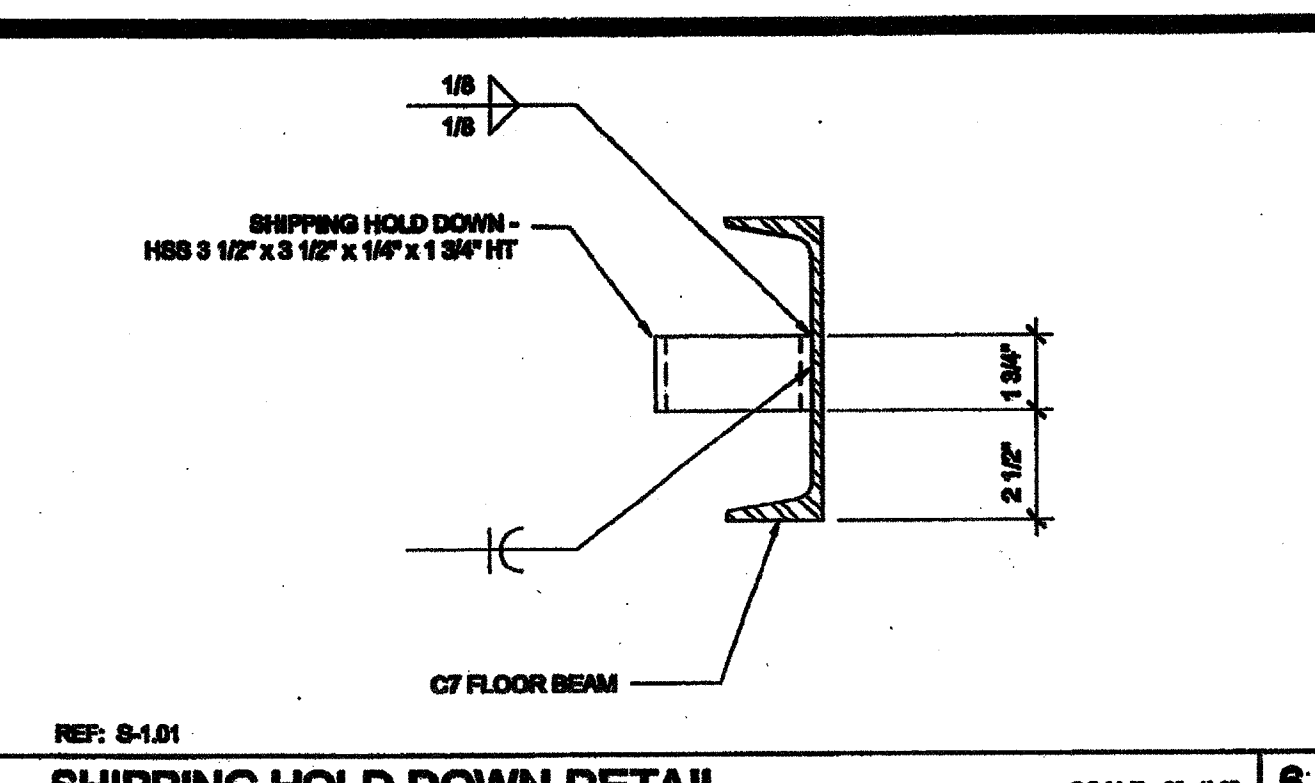
DATE: 12-12-12

P.C. SHEET NUMBER

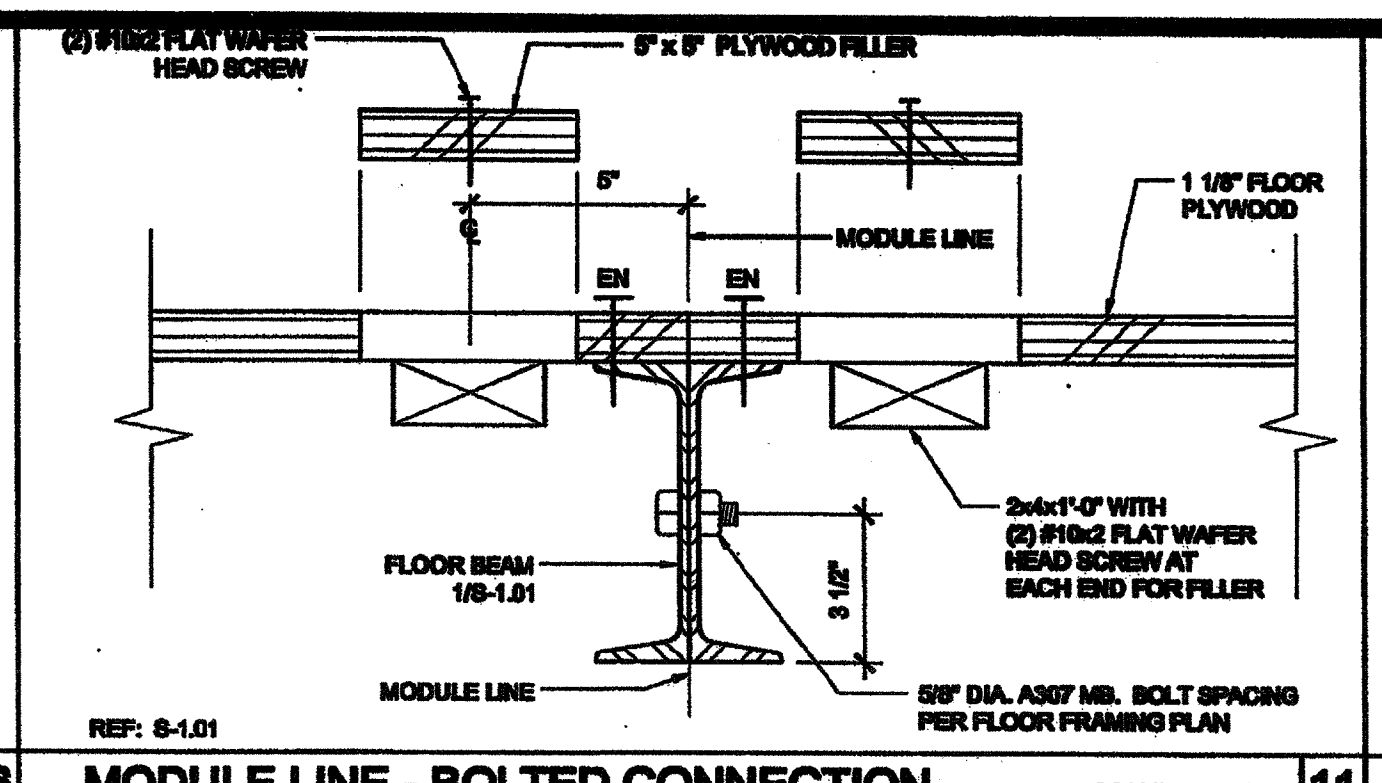
S-1.50 STKP 126



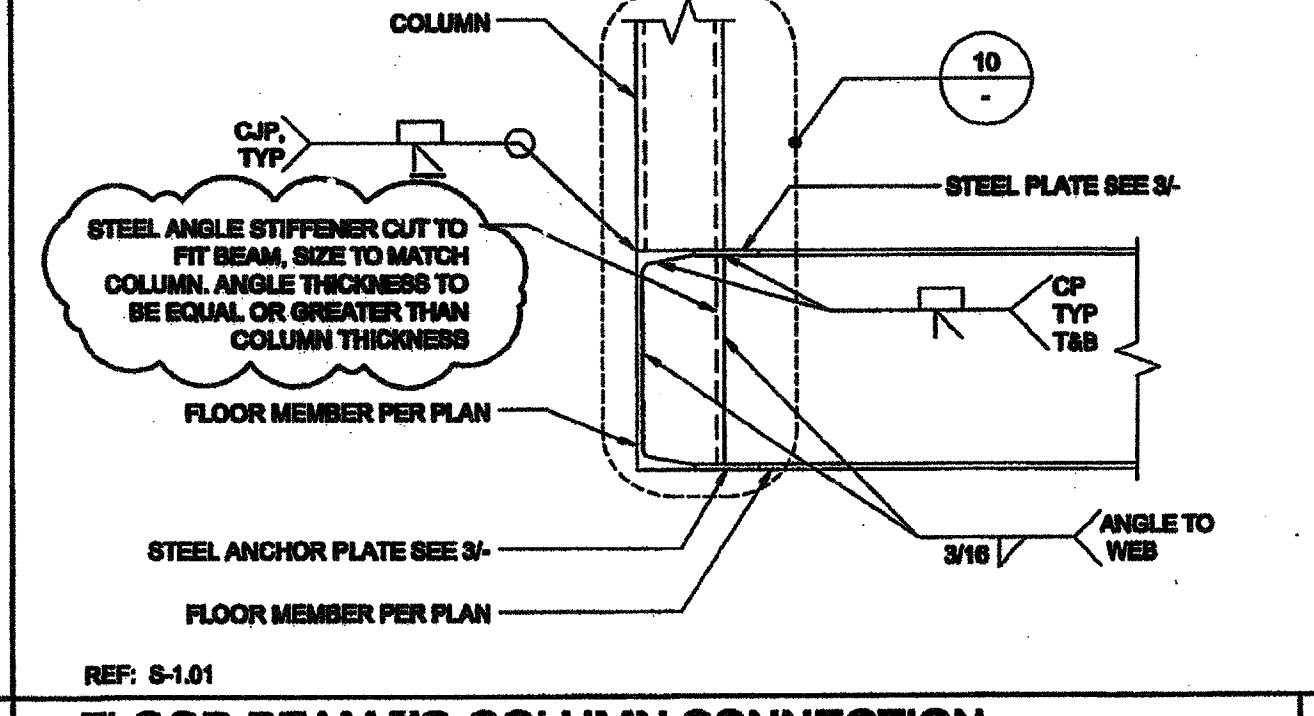
6 CORNER ANCHOR PLATE SCALE: 3" = 1'-0"



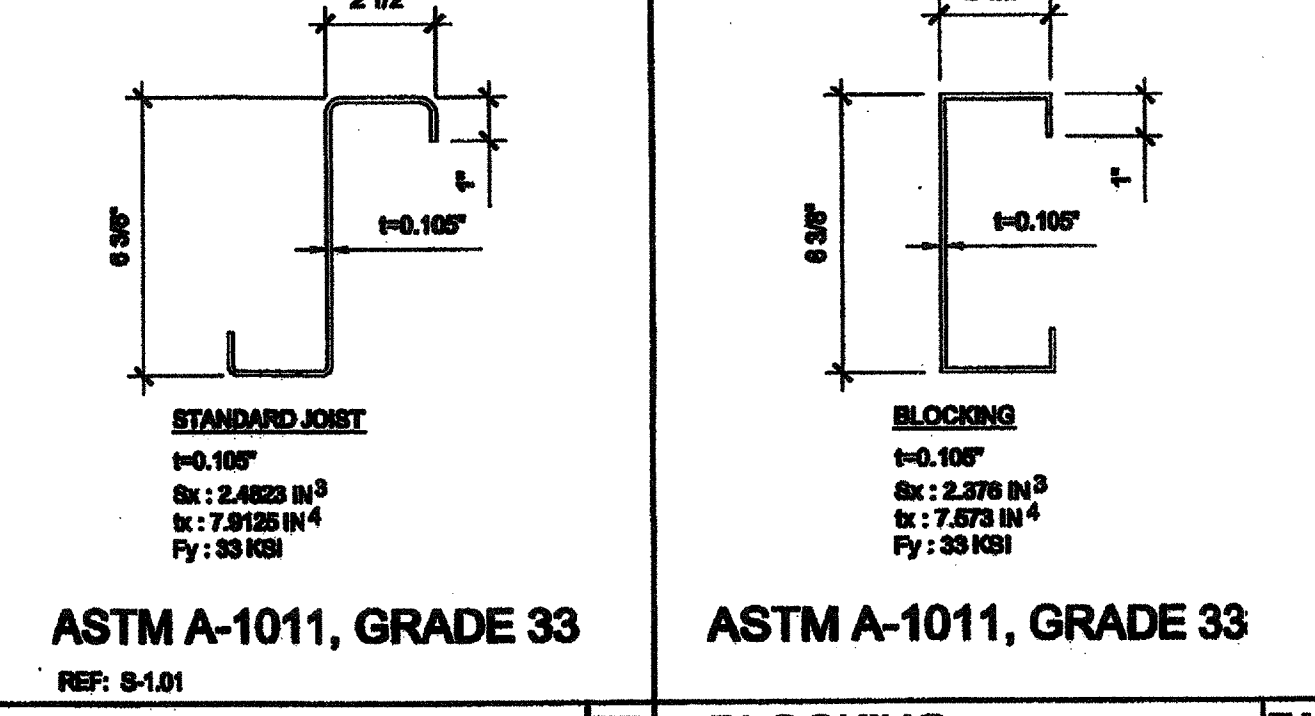
11 SHIPPING HOLD DOWN DETAIL SCALE: 3" = 1'-0"



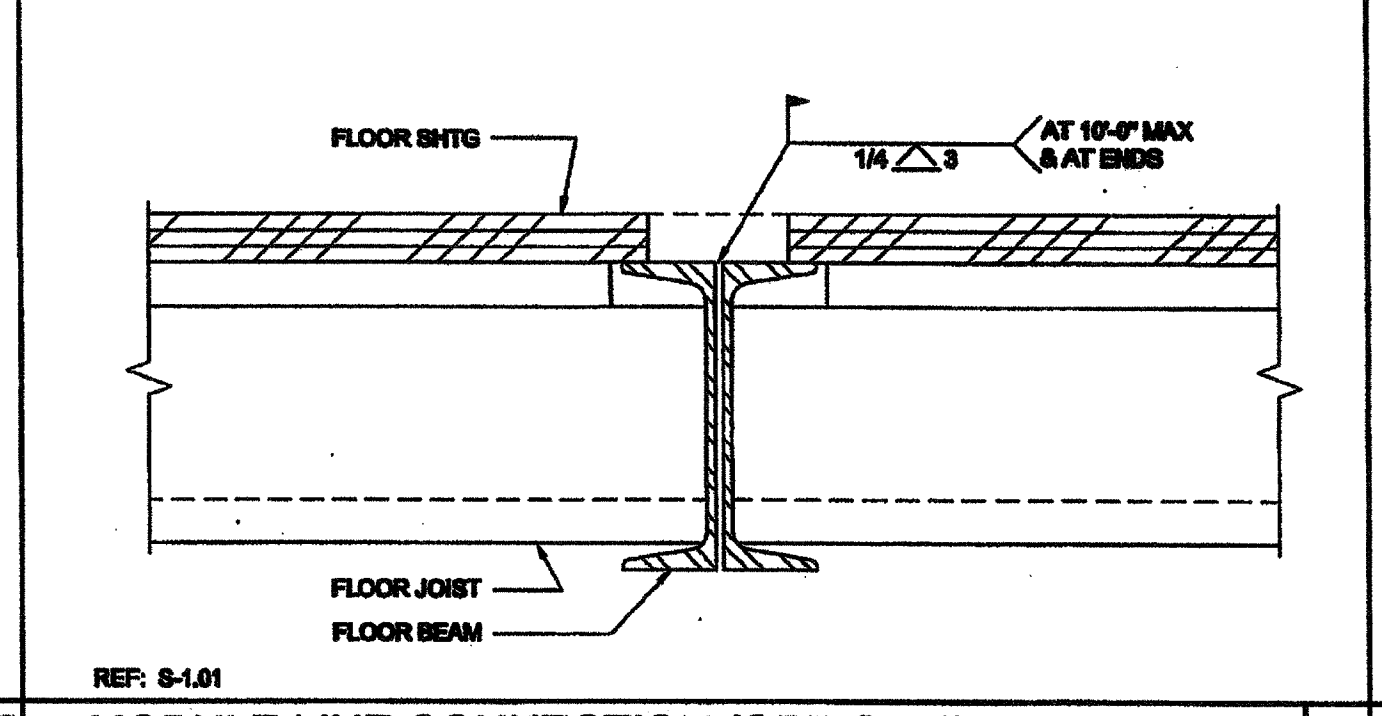
16 MODULE LINE - BOLTED CONNECTION SCALE: 3" = 1'-0"



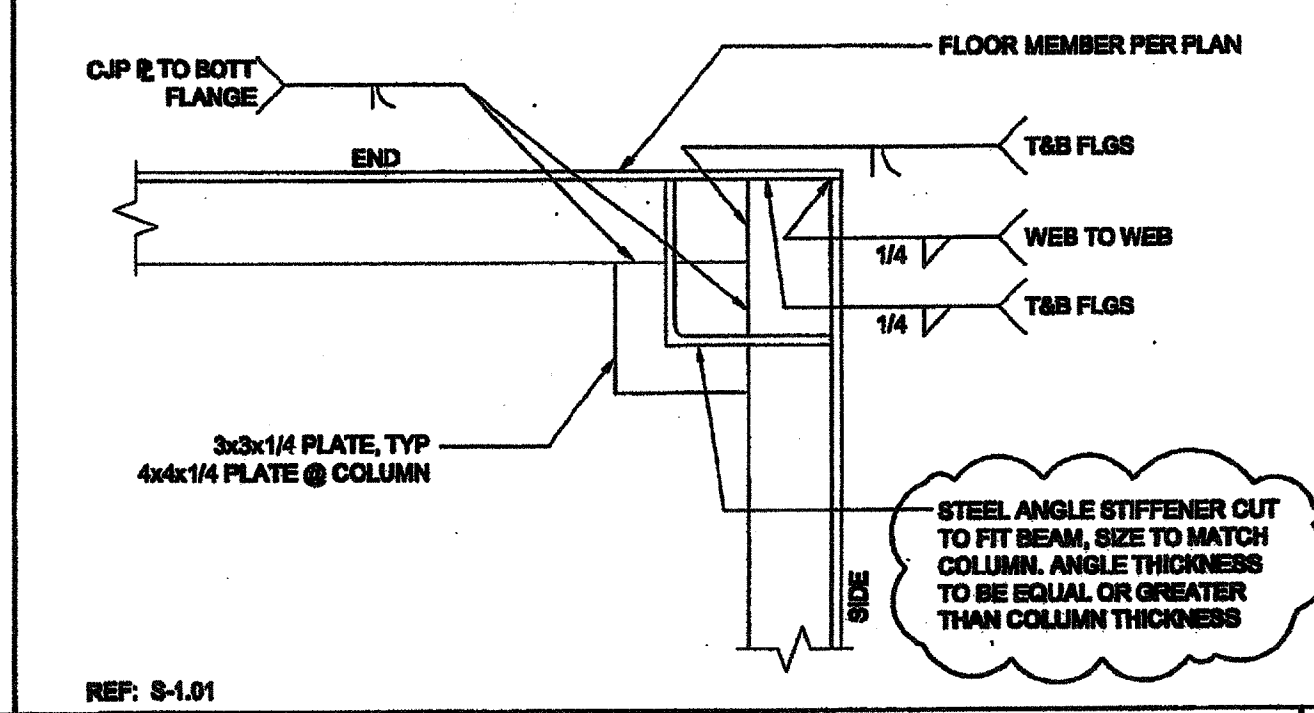
2 FLOOR BEAM TO COLUMN CONNECTION SCALE: 1 1/2" = 1'-0"



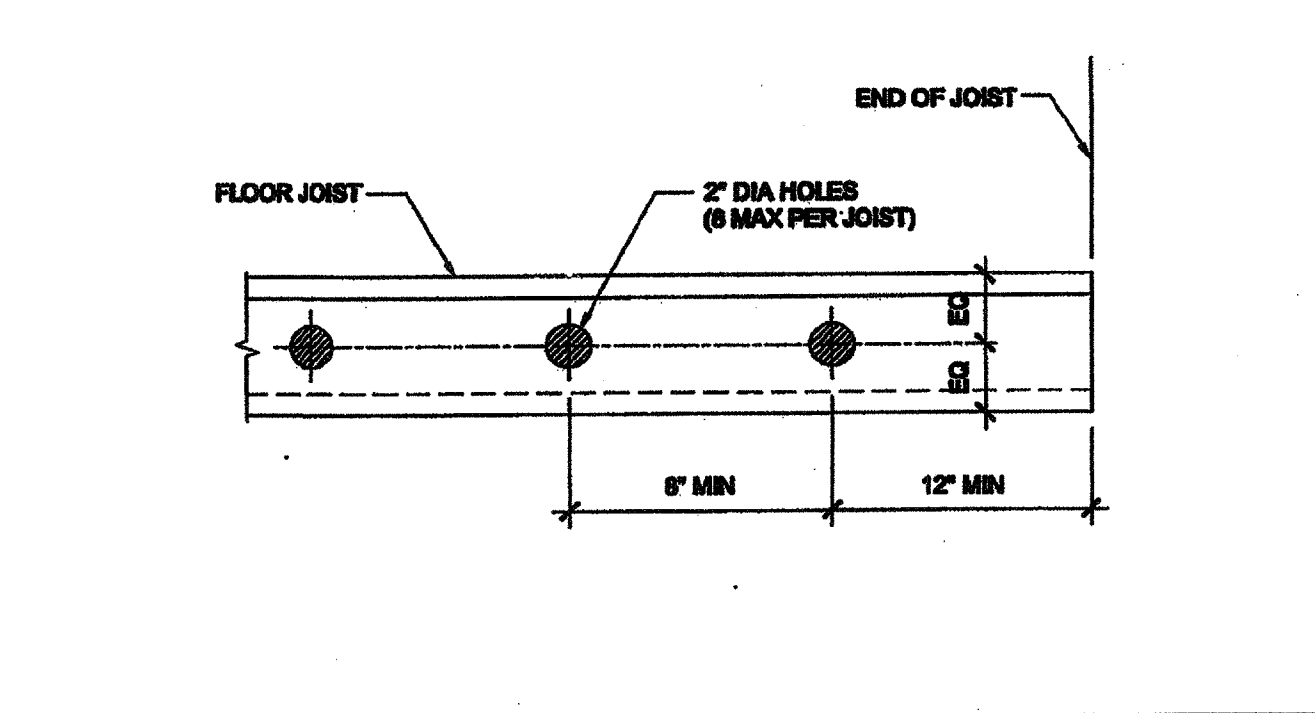
7B FLOOR JOIST SCALE: 3" = 1'-0" 7A BLOCKING SCALE: 3" = 1'-0"



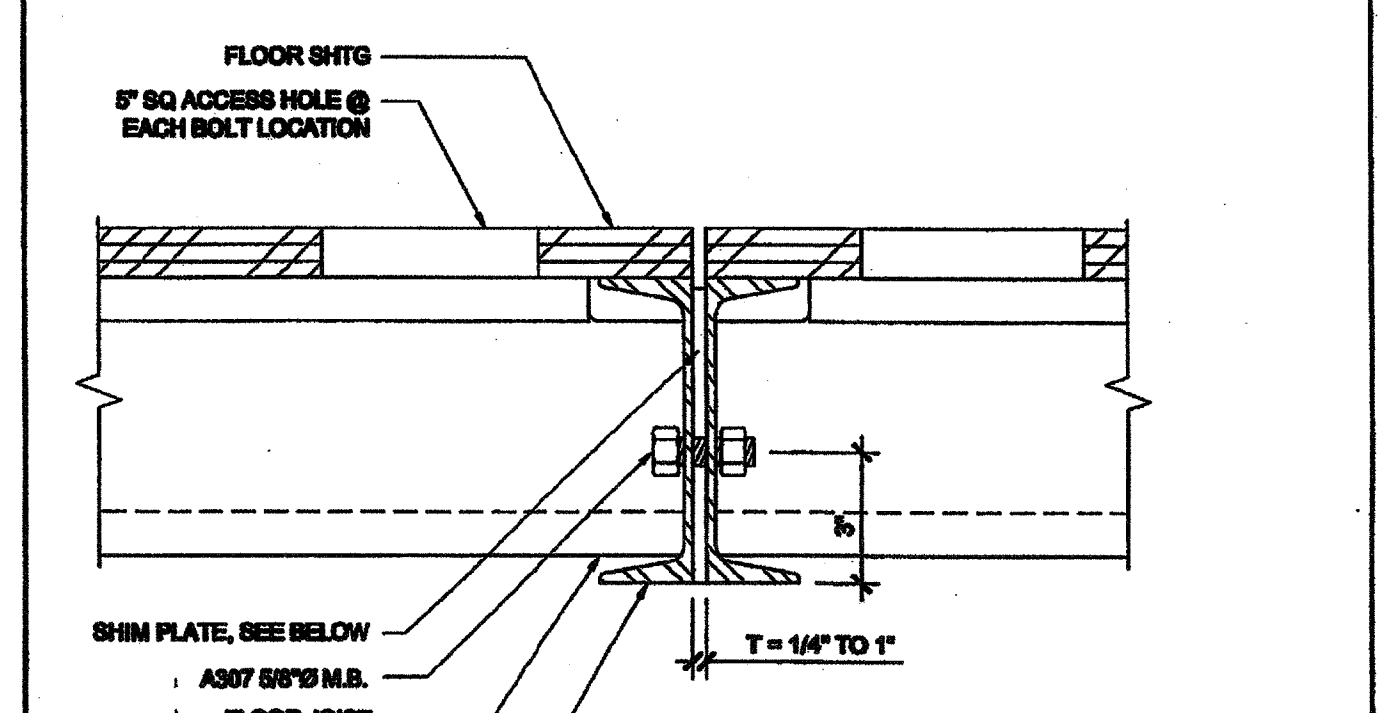
17 MODULE LINE CONNECTION (OPTION 1) SCALE: 3" = 1'-0"



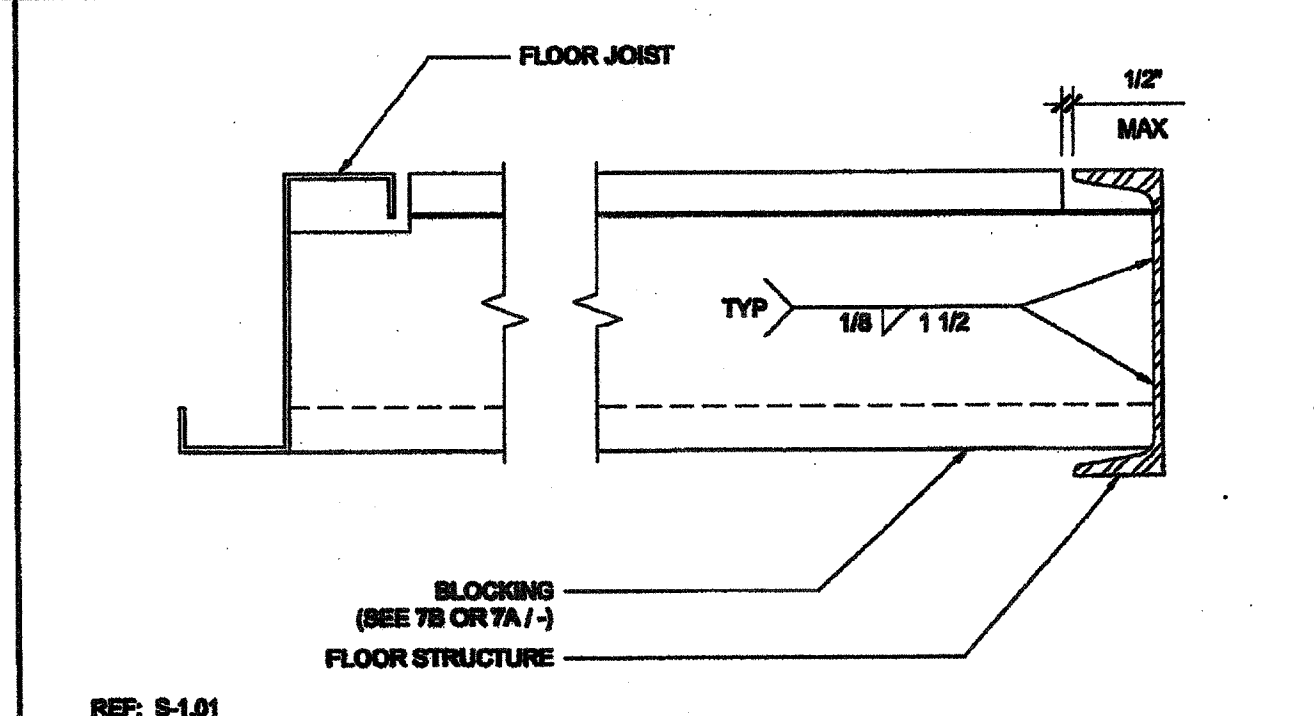
3 ANCHOR PLATE SCALE: 3" = 1'-0"



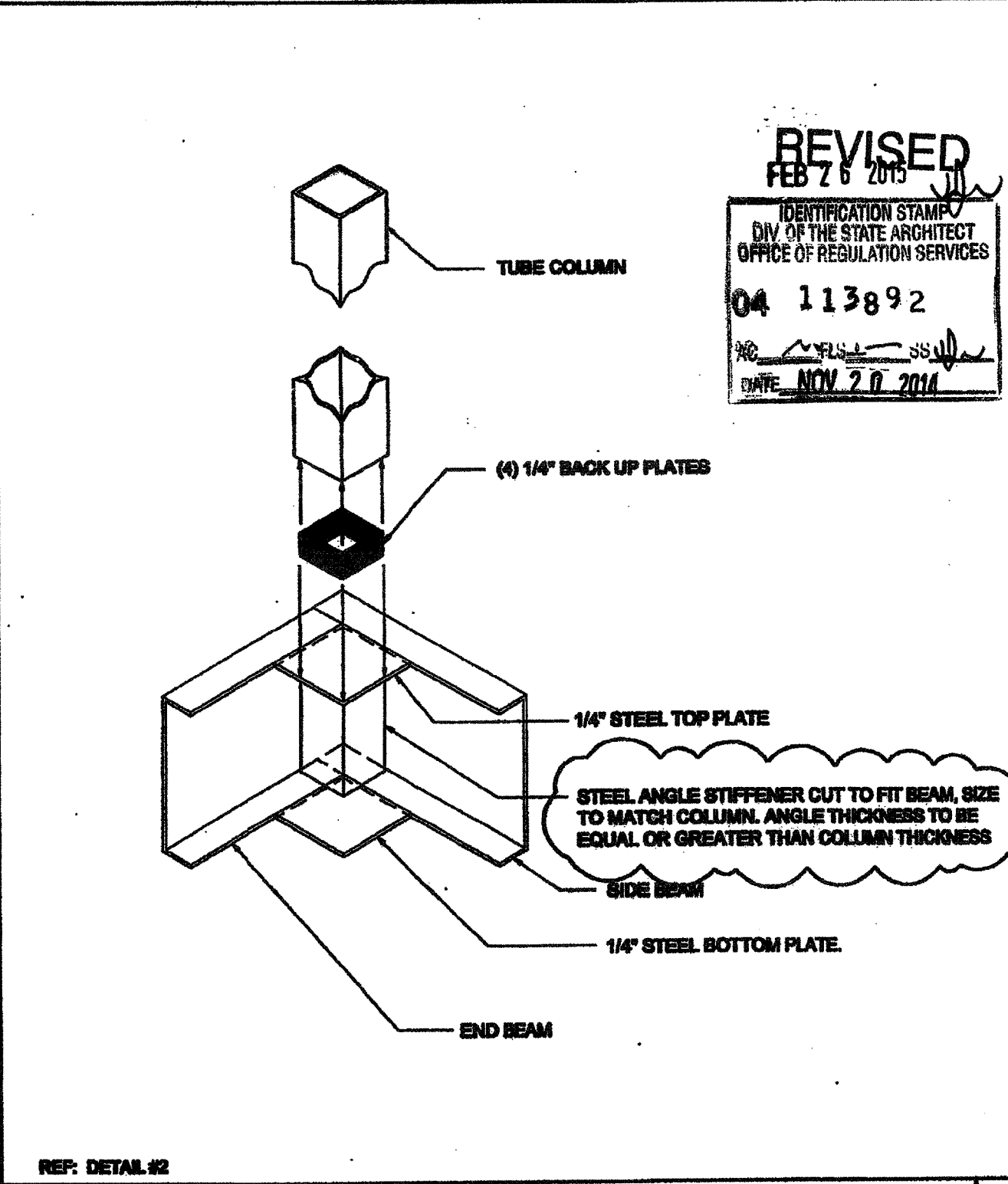
8 FLOOR JOIST HOLES (OPTIONAL) SCALE: 1/8" = 1'-0"



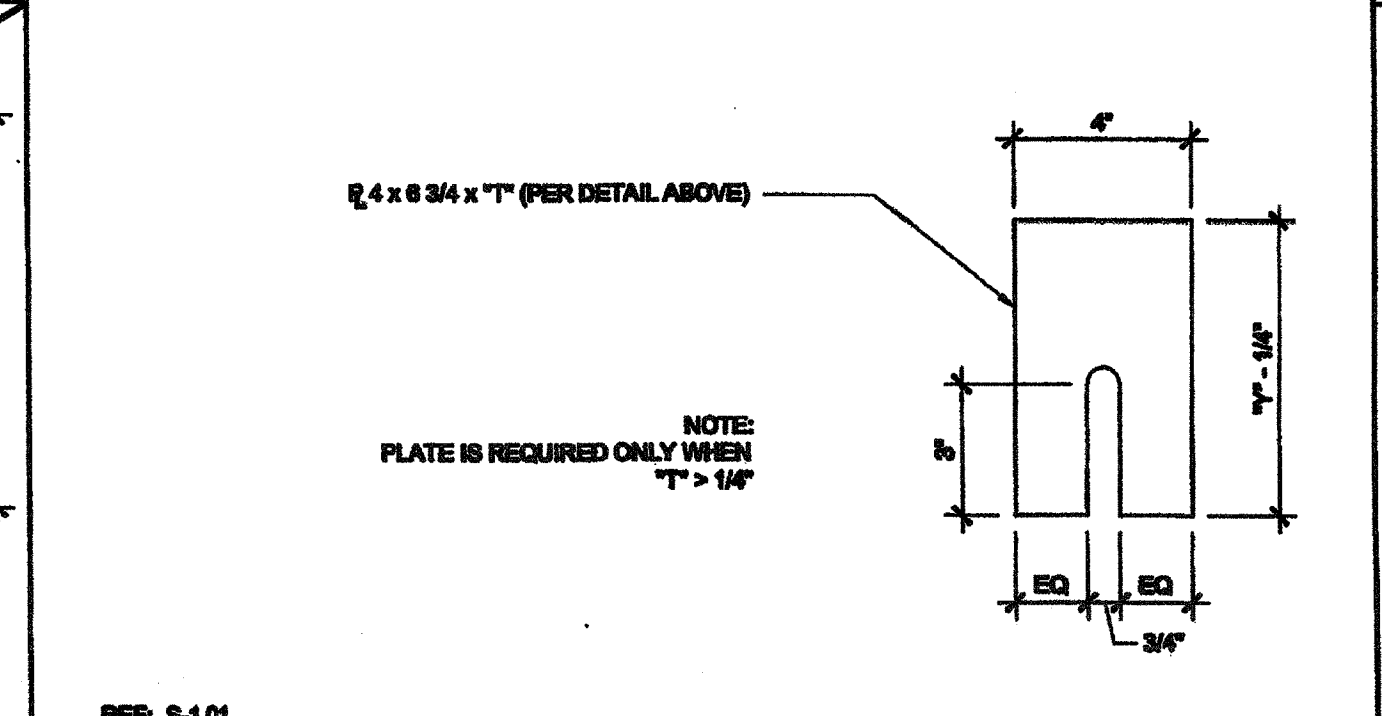
14 MODULE LINE CONNECTION (OPTION 2) SCALE: 3" = 1'-0"



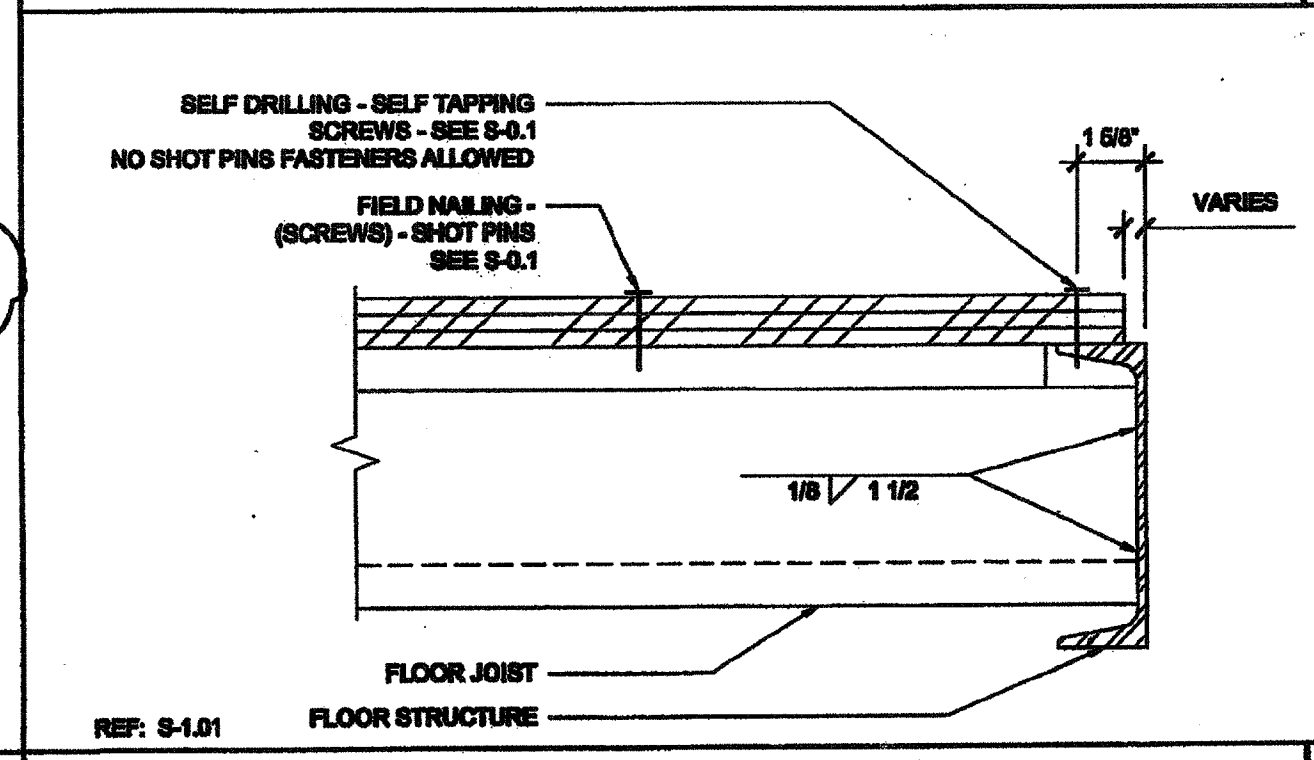
4 BLOCKING TO END BEAM SCALE: 3" = 1'-0"



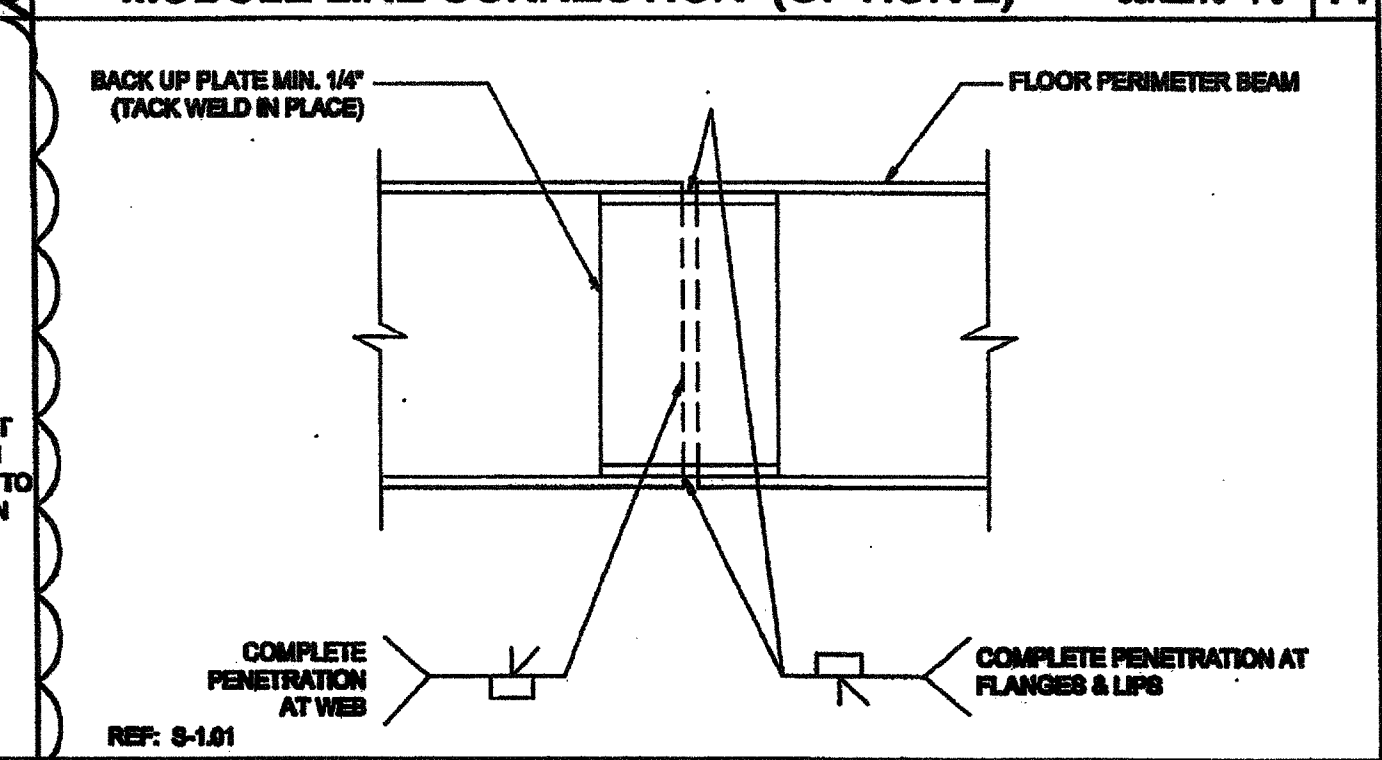
10 COLUMN CONNECTION AT FLOOR SCALE: NTS



18 CORNER ANCHOR PLATE SCALE: 3" = 1'-0"



5 JOIST TO SIDE BEAM SCALE: 3" = 1'-0"



15 FLOOR BEAM SPLICE SCALE: 3" = 1'-0"



20 CORNER ANCHOR PLATE SCALE: 3" = 1'-0"

IDENTIFICATION STAMP
DIV. OF THE STATE ARCHITECT
APPO3 116973
AC FLS SS
DATE APR 18 2015