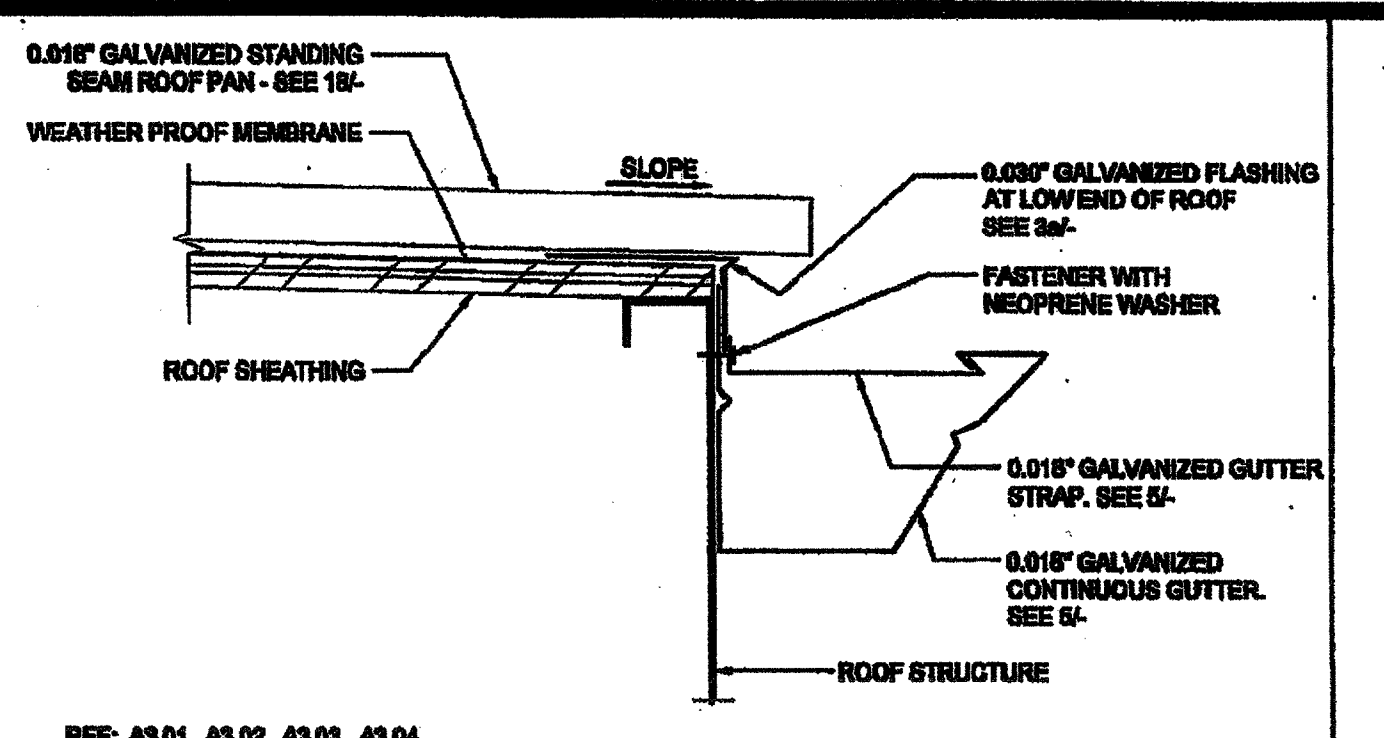
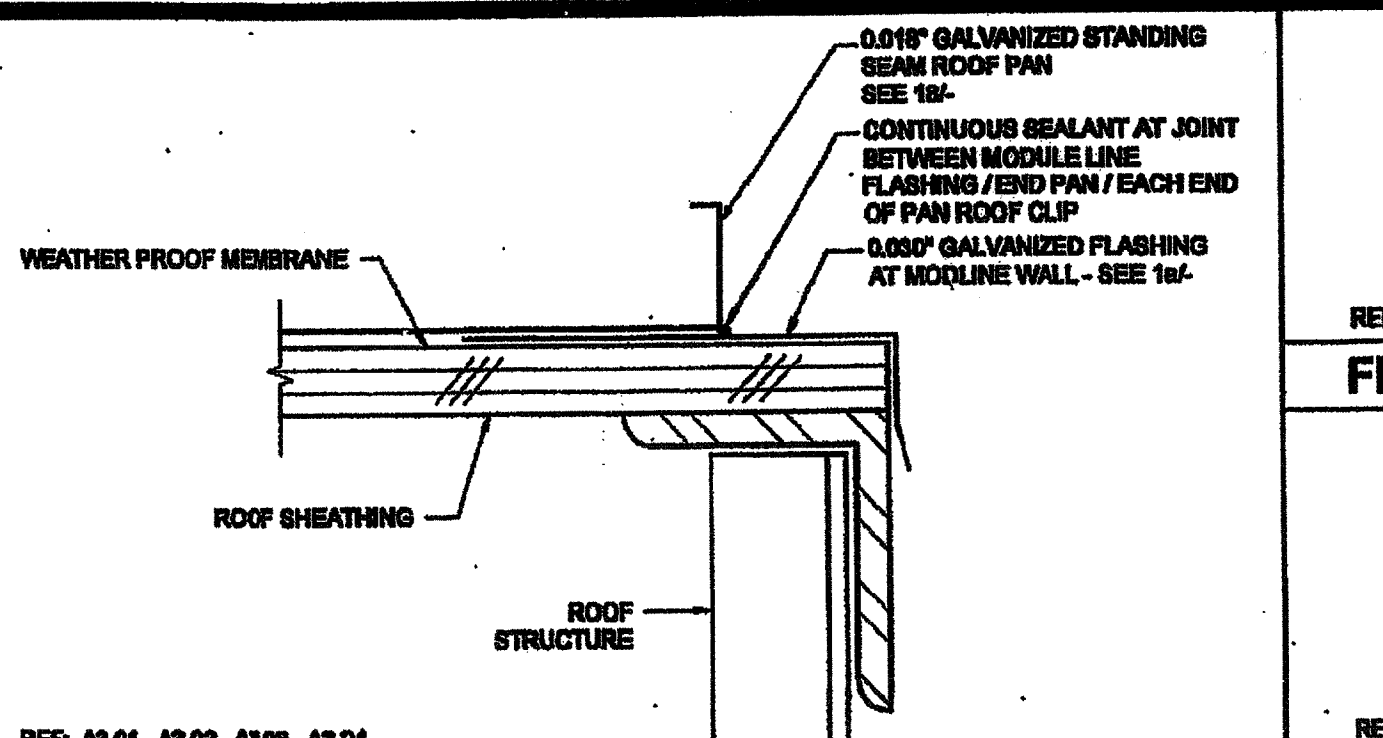


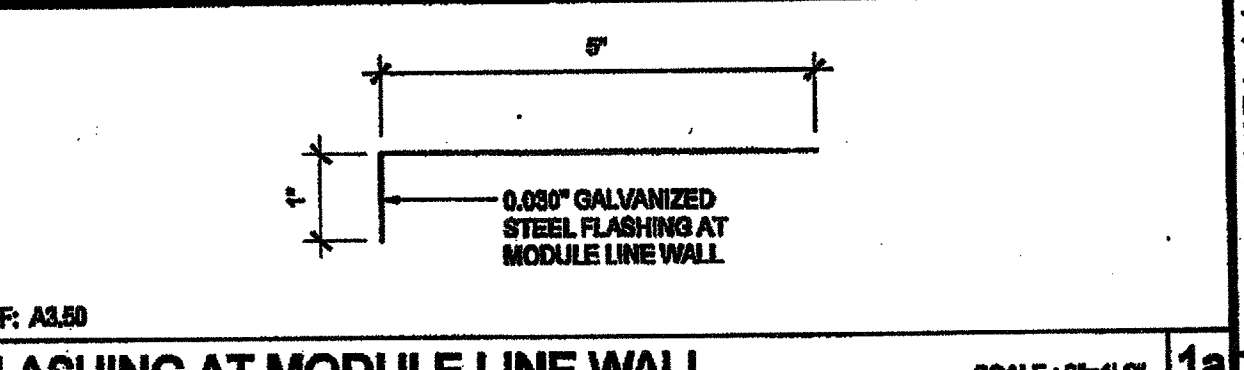
REF: A3.01, A3.02, A3.03, A3.04
ROOF FLASHING AT SIDEWALL SCALE: 6"=1'-0" 16



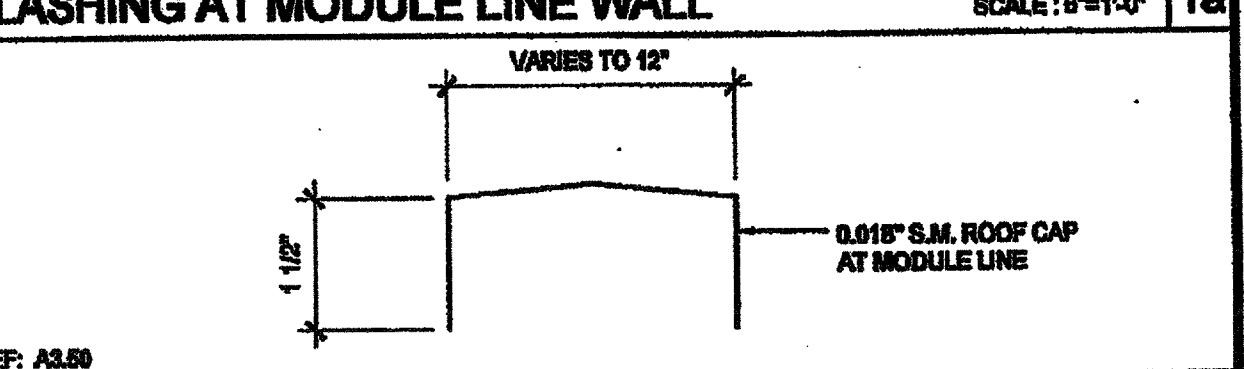
REF: A3.01, A3.02, A3.03, A3.04
GUTTER AT ROOF FASCIA BEAM SCALE: 3"=1'-0" 11



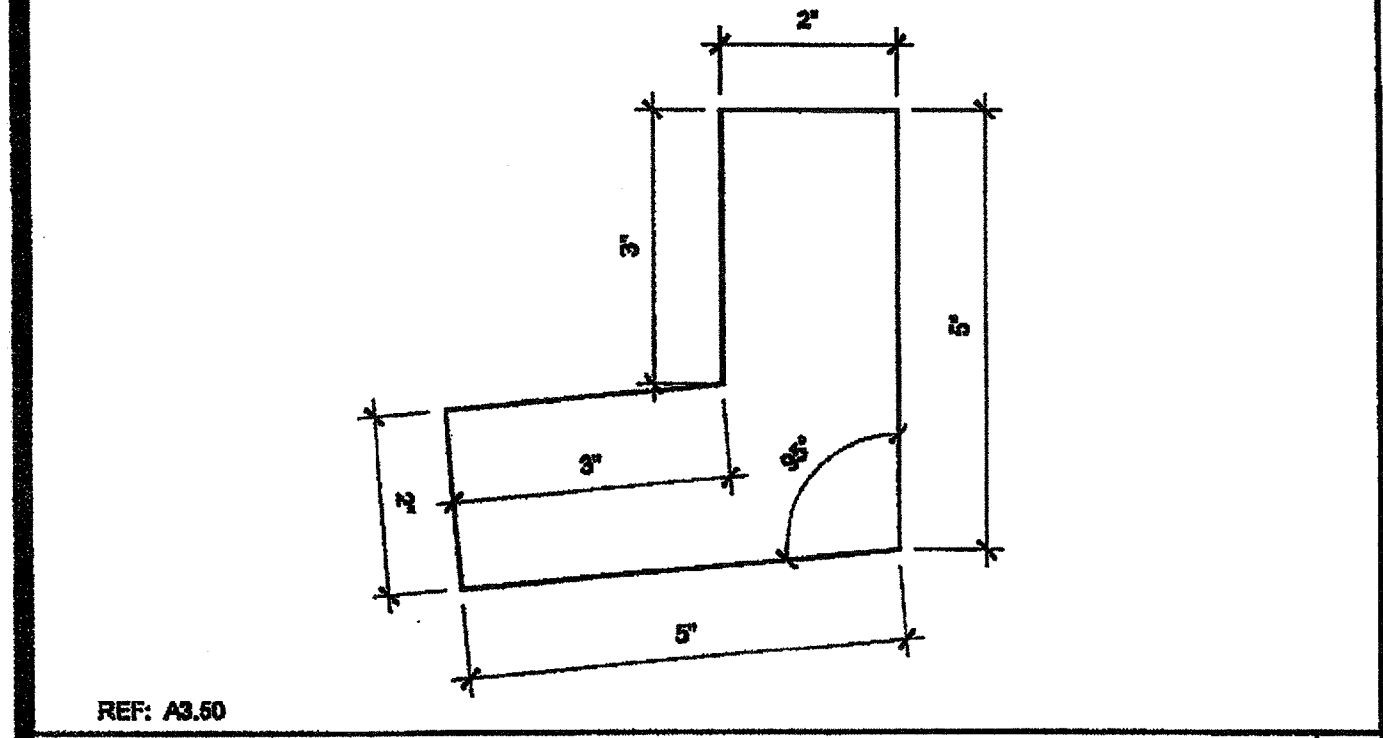
REF: A3.01, A3.02, A3.03, A3.04
END ROOF PAN CONNECTION SCALE: 6"=1'-0" 6



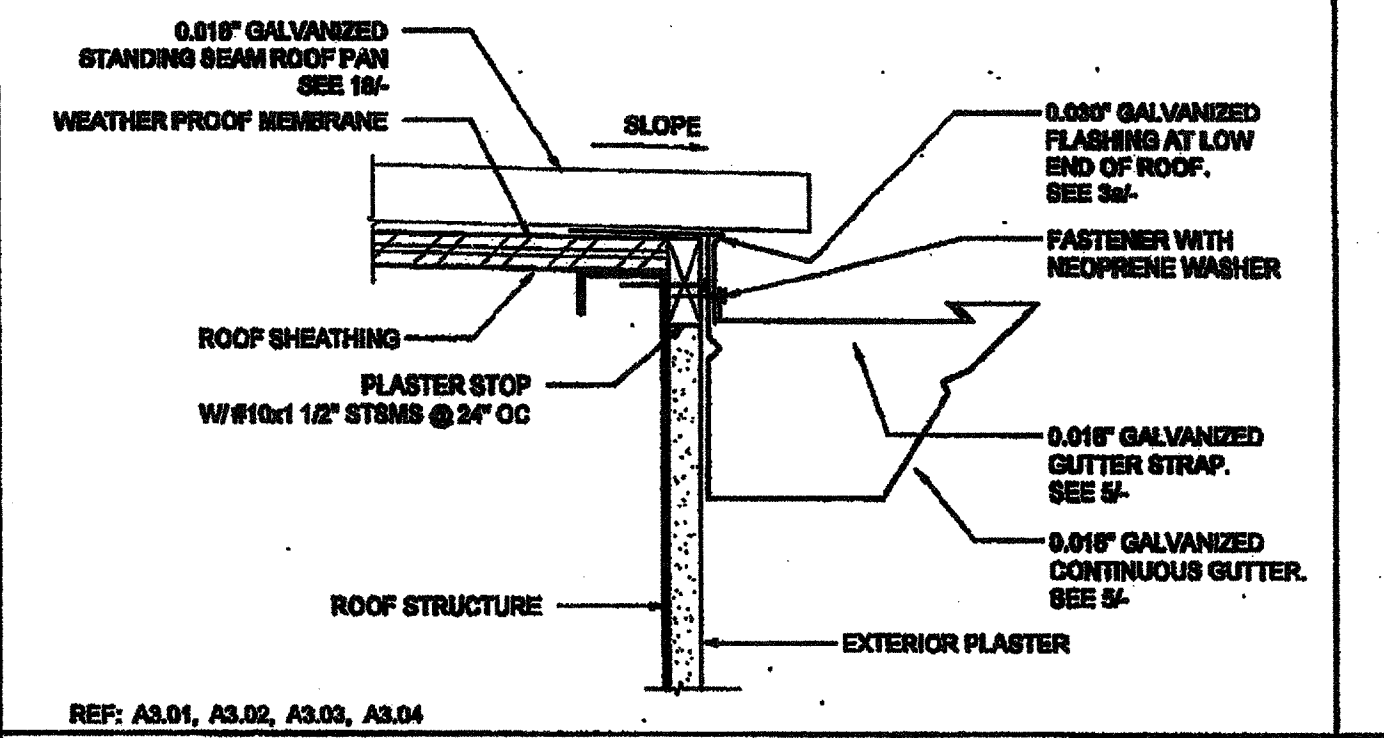
REF: A3.50
FLASHING AT MODULE LINE WALL SCALE: 6"=1'-0" 1a



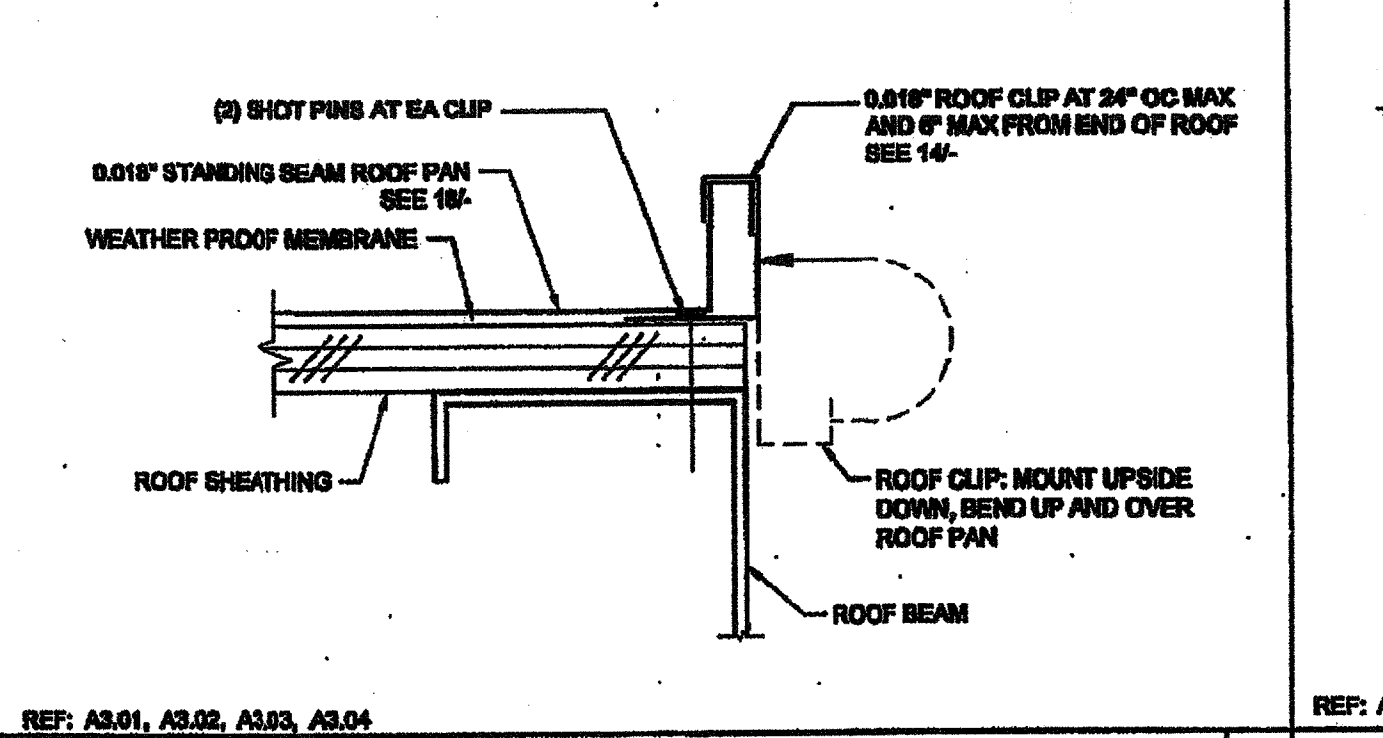
REF: A3.50
0.018" ROOF CAP AT MODULE LINE SCALE: 6"=1'-0" 1b



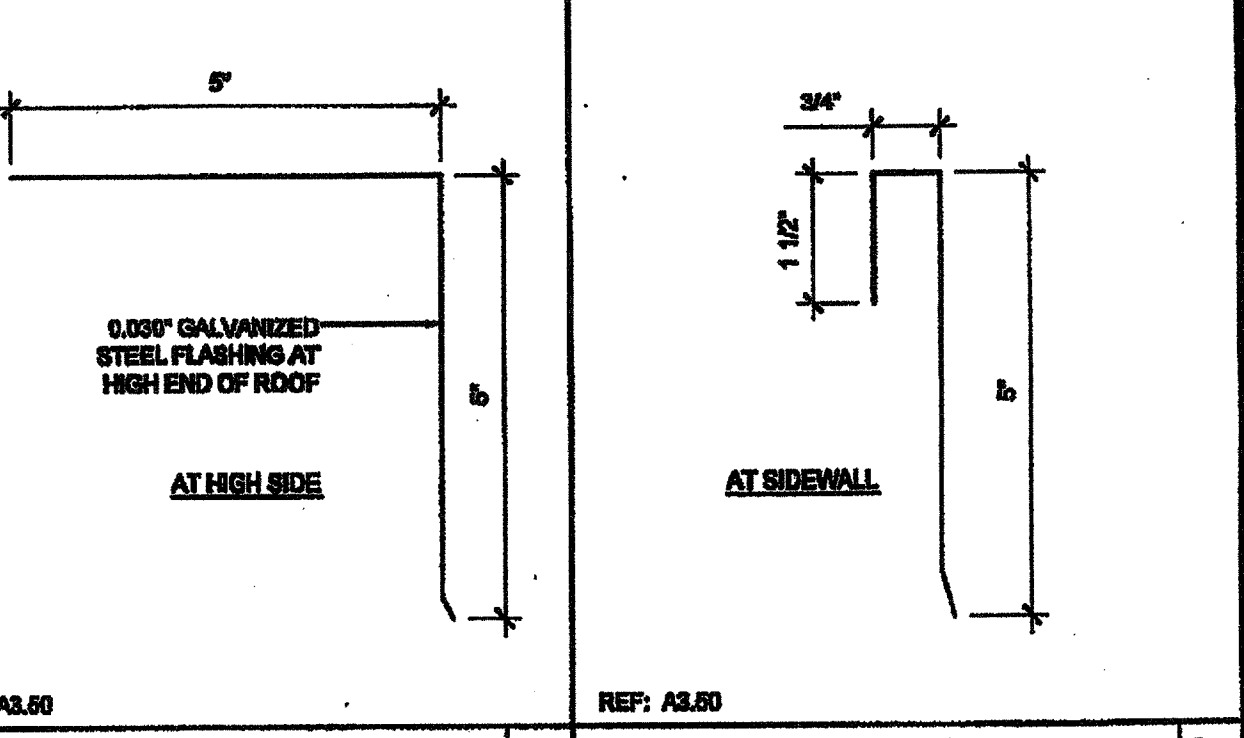
REF: A3.50
DOWNSPOUT ATTACHMENT SCALE: 6"=1'-0" 17



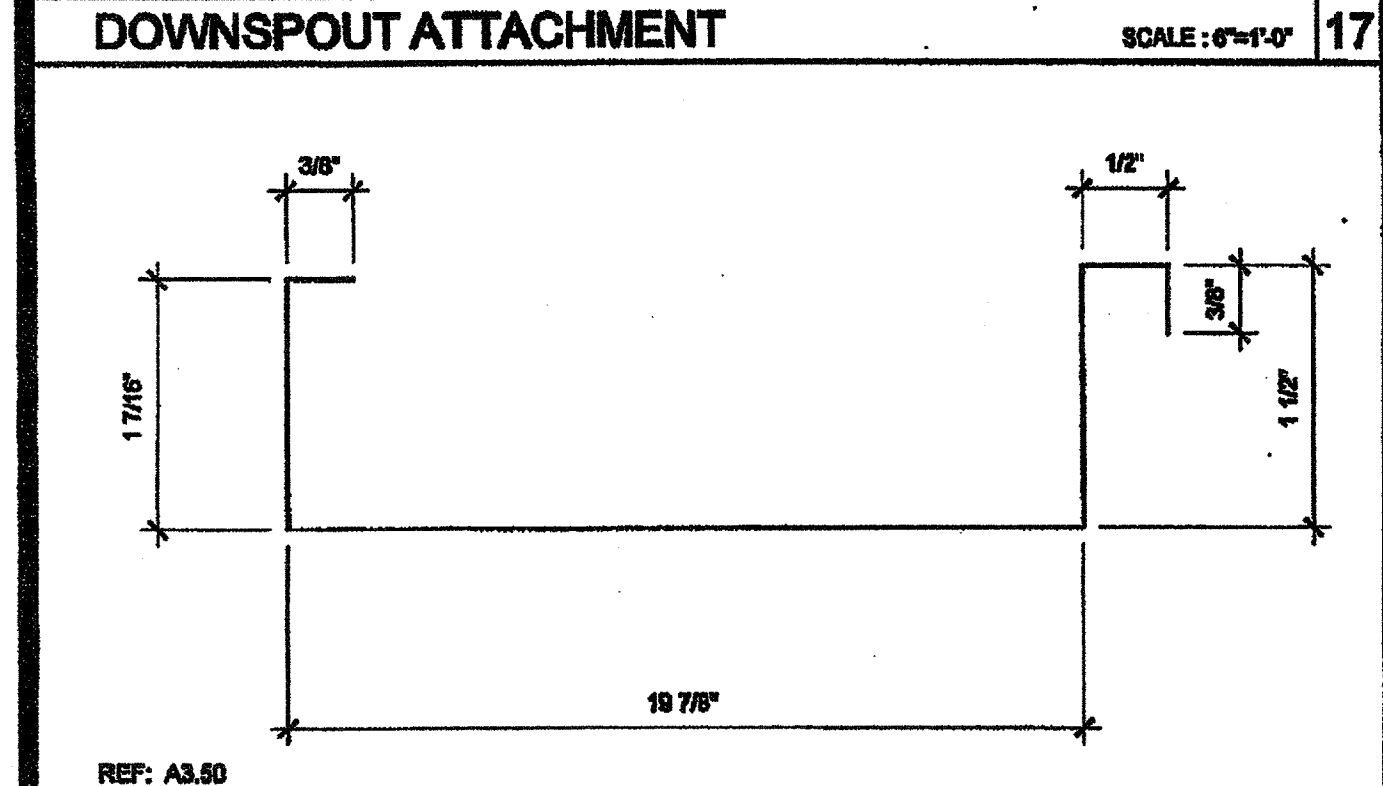
REF: A3.01, A3.02, A3.03, A3.04
GUTTER AT ROOF FASCIA BEAM SCALE: 3"=1'-0" 12



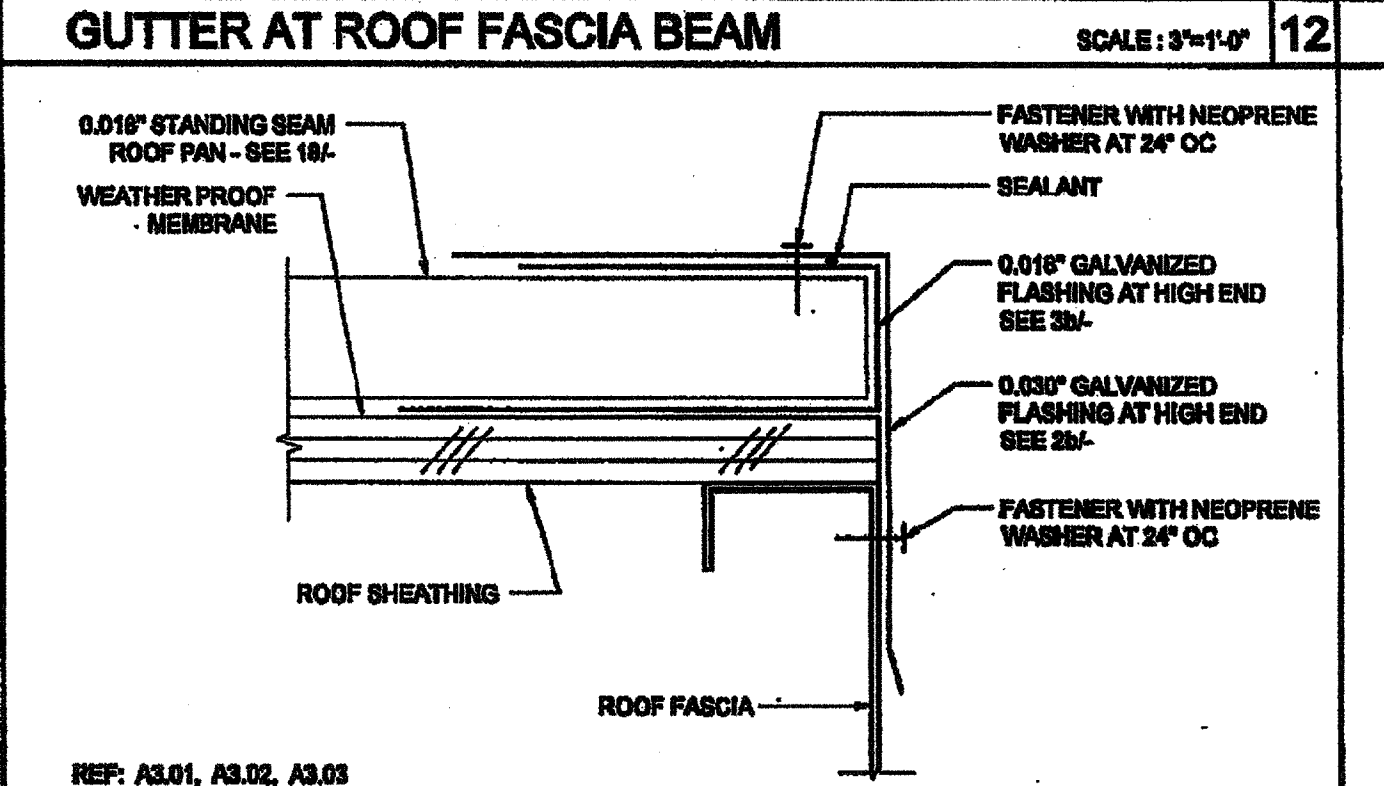
REF: A3.01, A3.02, A3.03, A3.04
STARTER ROOF PAN CONNECTION SCALE: 6"=1'-0" 7



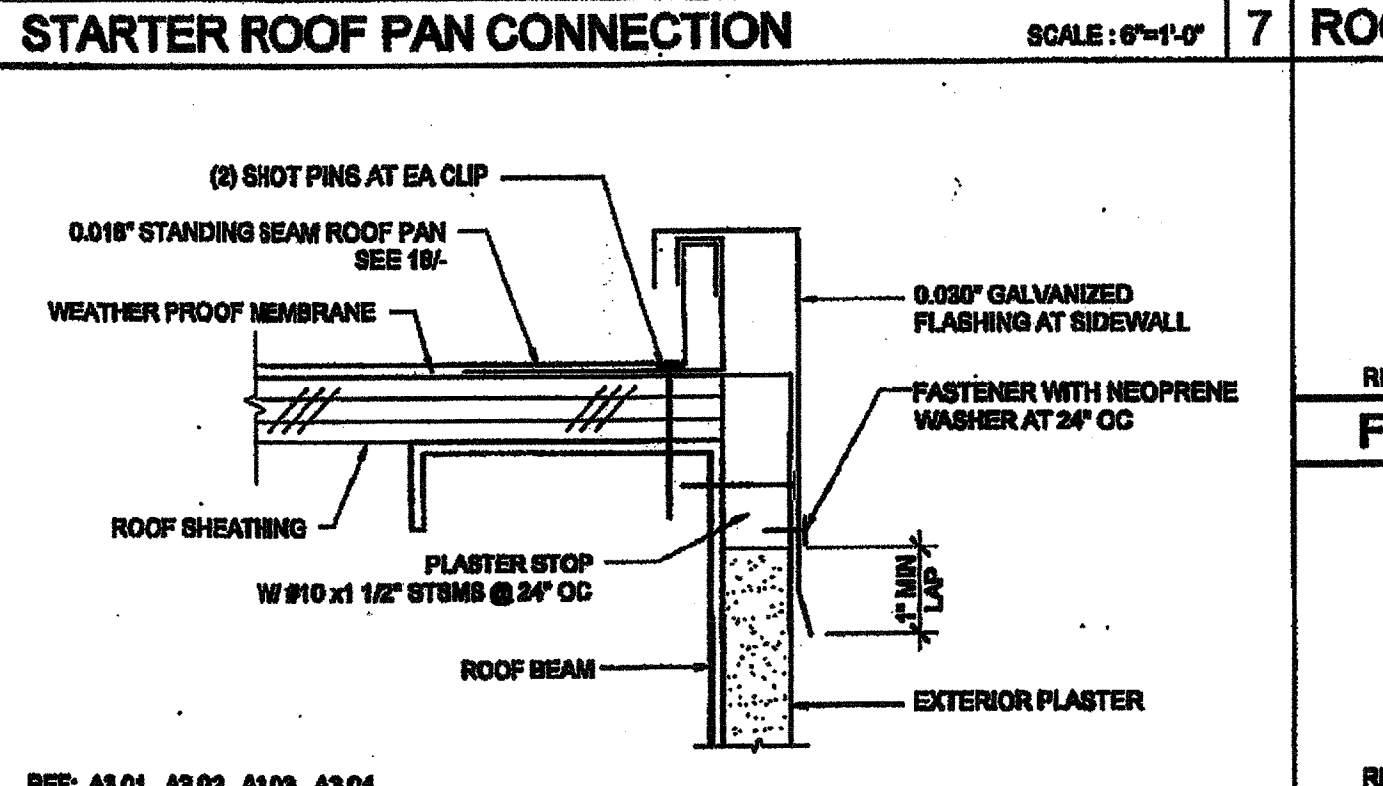
REF: A3.50
ROOF FLASHING SCALE: 6"=1'-0" 2b



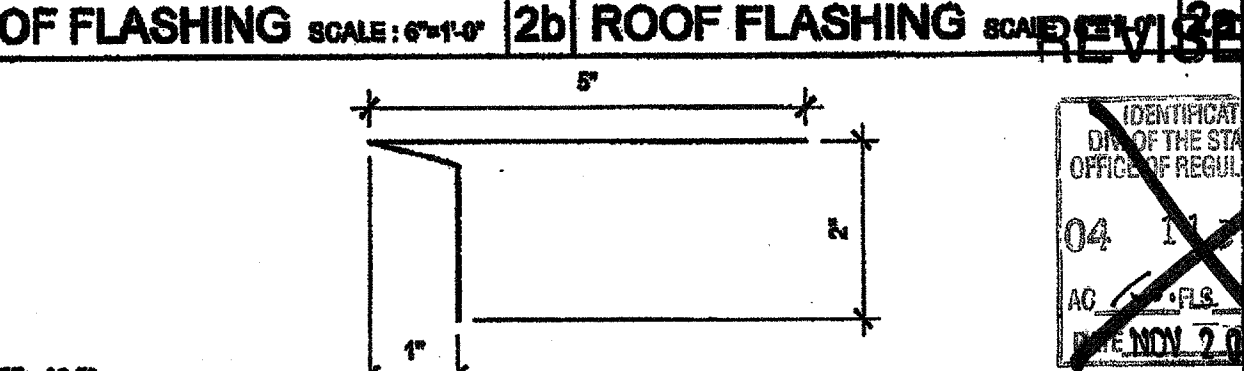
REF: A3.50
ROOF DECK PROFILE SCALE: 6"=1'-0" 18



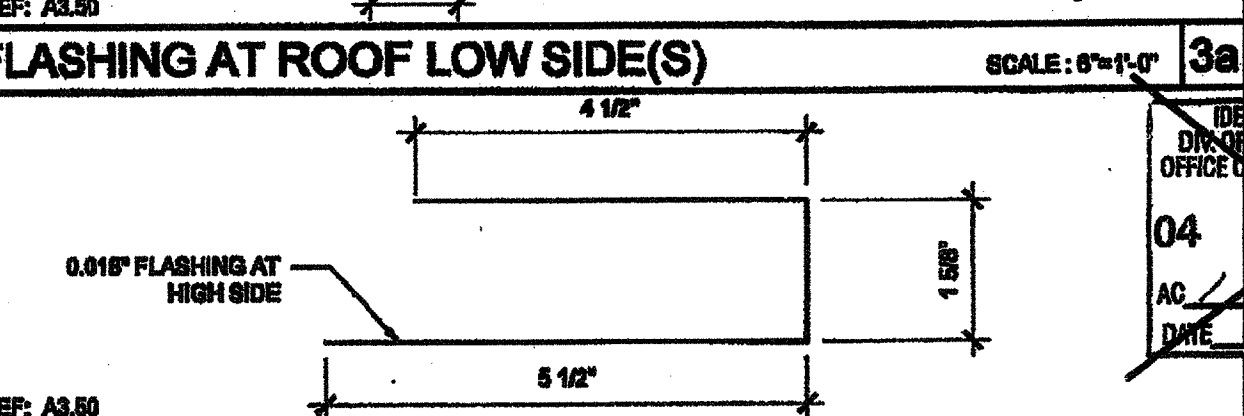
REF: A3.01, A3.02, A3.03
ROOF FLASHING AT HIGH SIDE SCALE: 6"=1'-0" 13



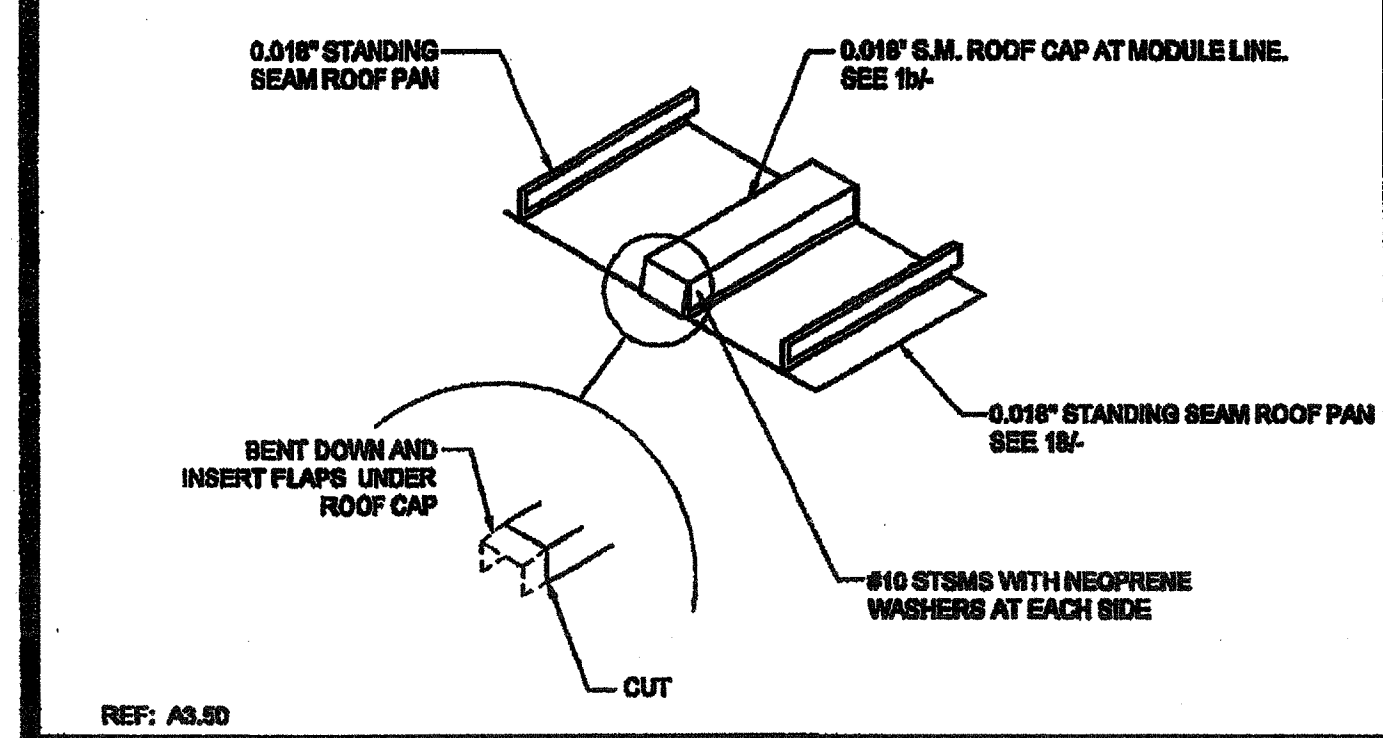
REF: A3.01, A3.02, A3.03, A3.04
ROOF FLASHING AT SIDEWALL SCALE: 6"=1'-0" 8



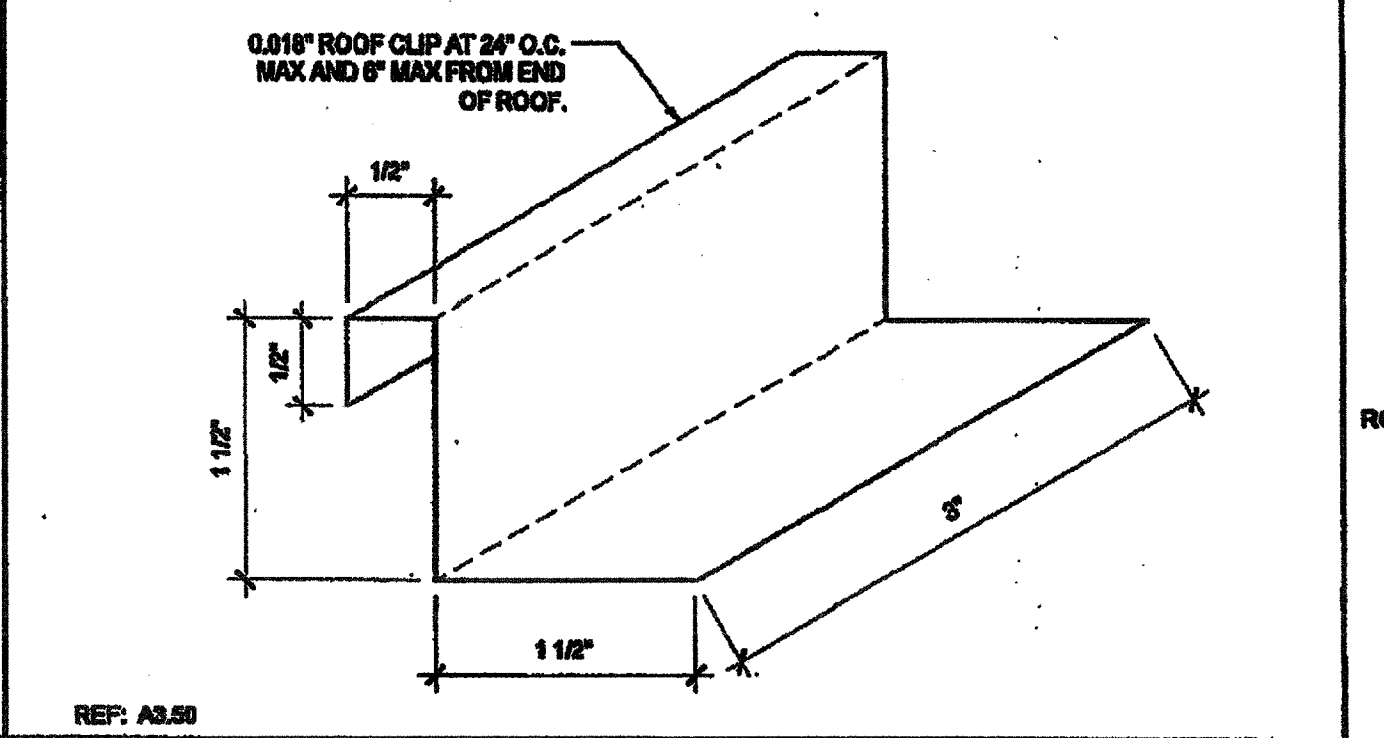
REF: A3.50
FLASHING AT ROOF LOW SIDE(S) SCALE: 6"=1'-0" 3a



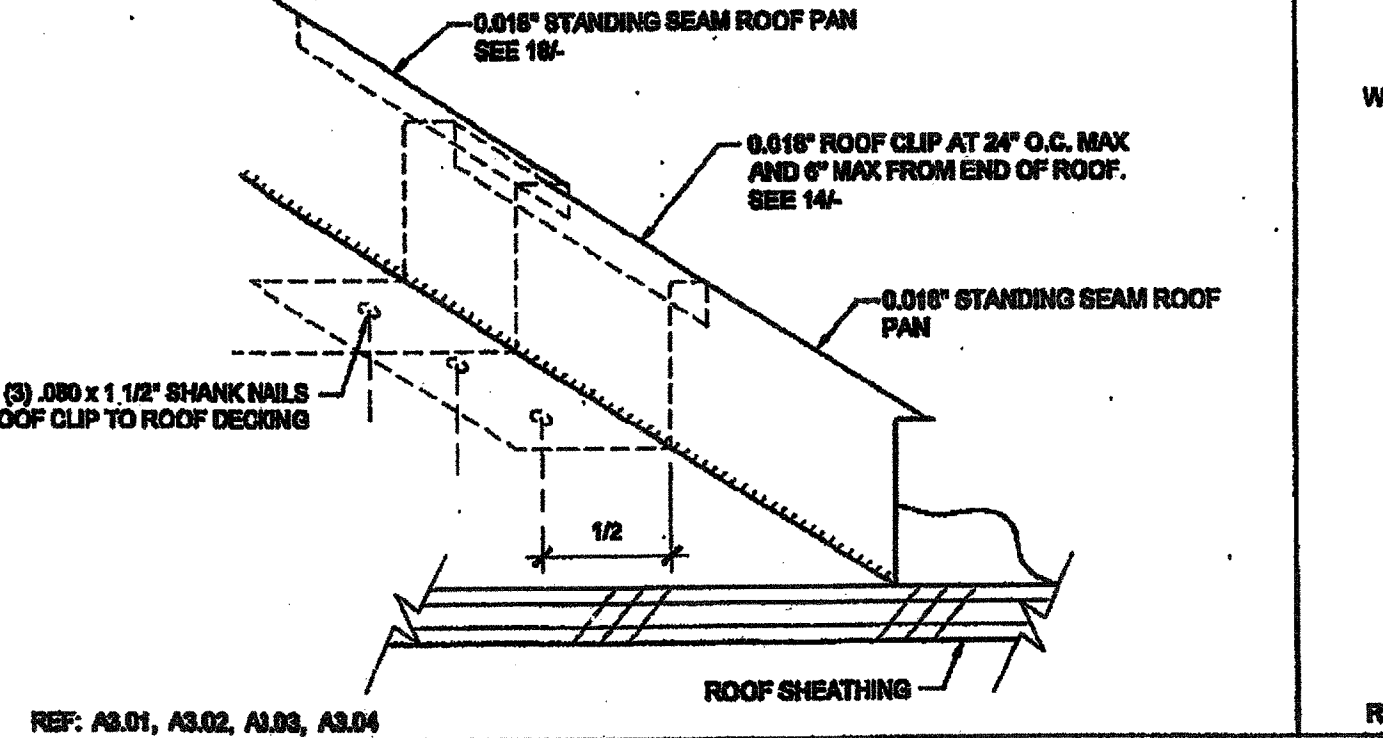
REF: A3.50
FLASHING AT ROOF HIGH SIDE SCALE: 6"=1'-0" 3b



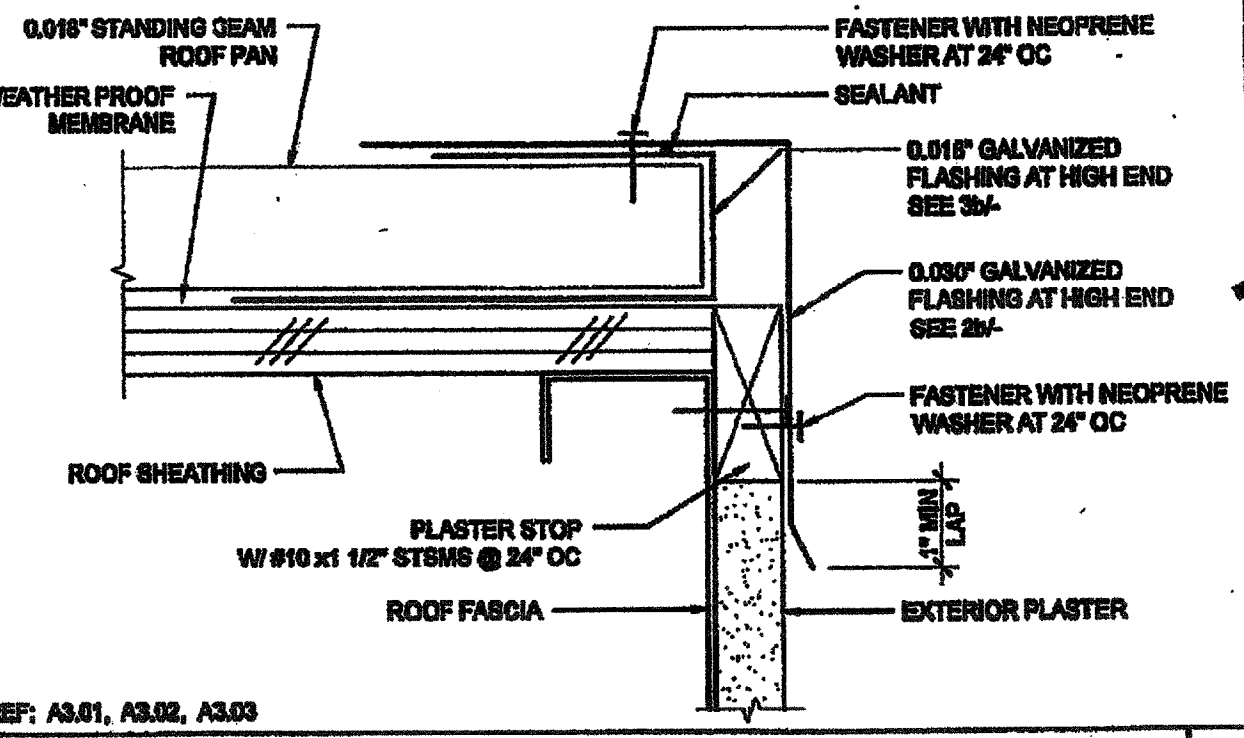
REF: A3.50
MODULE LINE ROOF CAP SCALE: NTS 19



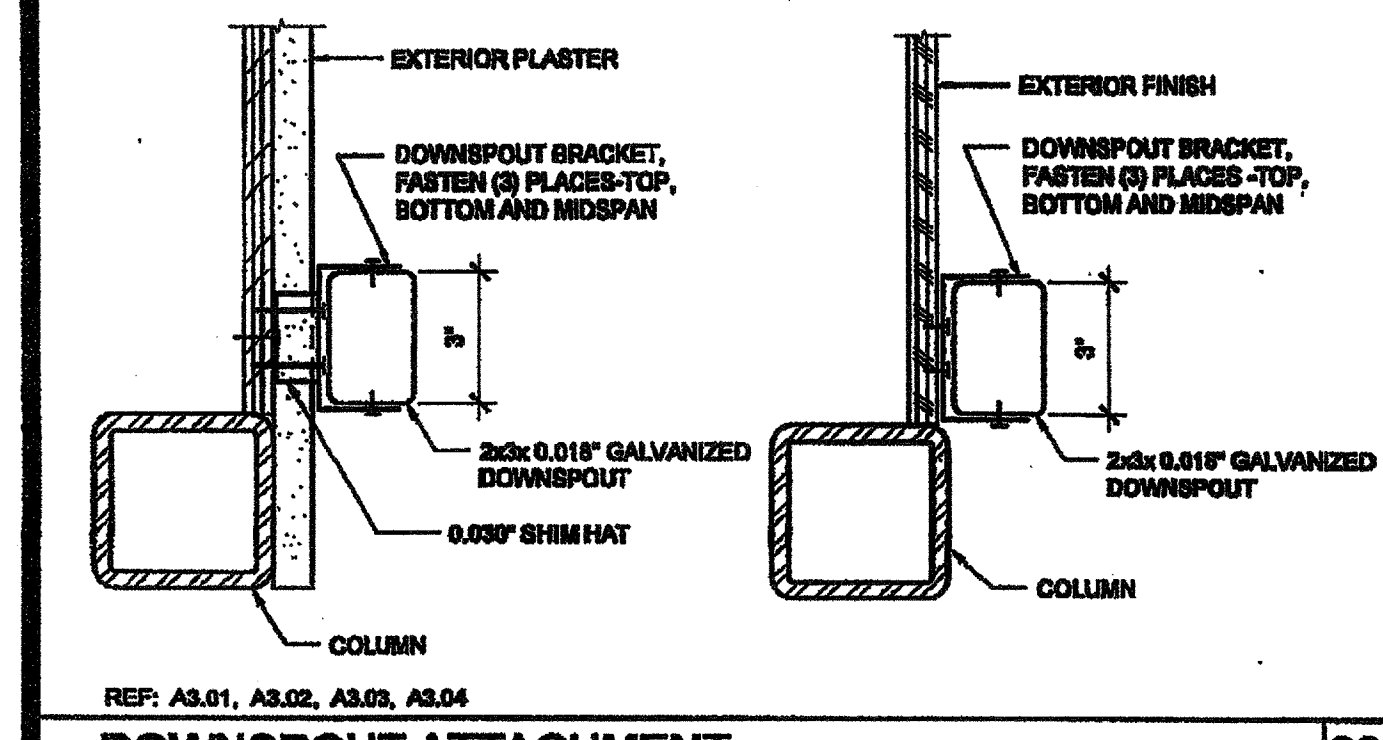
REF: A3.50
ROOF CLIP SCALE: 1'-0"=1'-0" 14



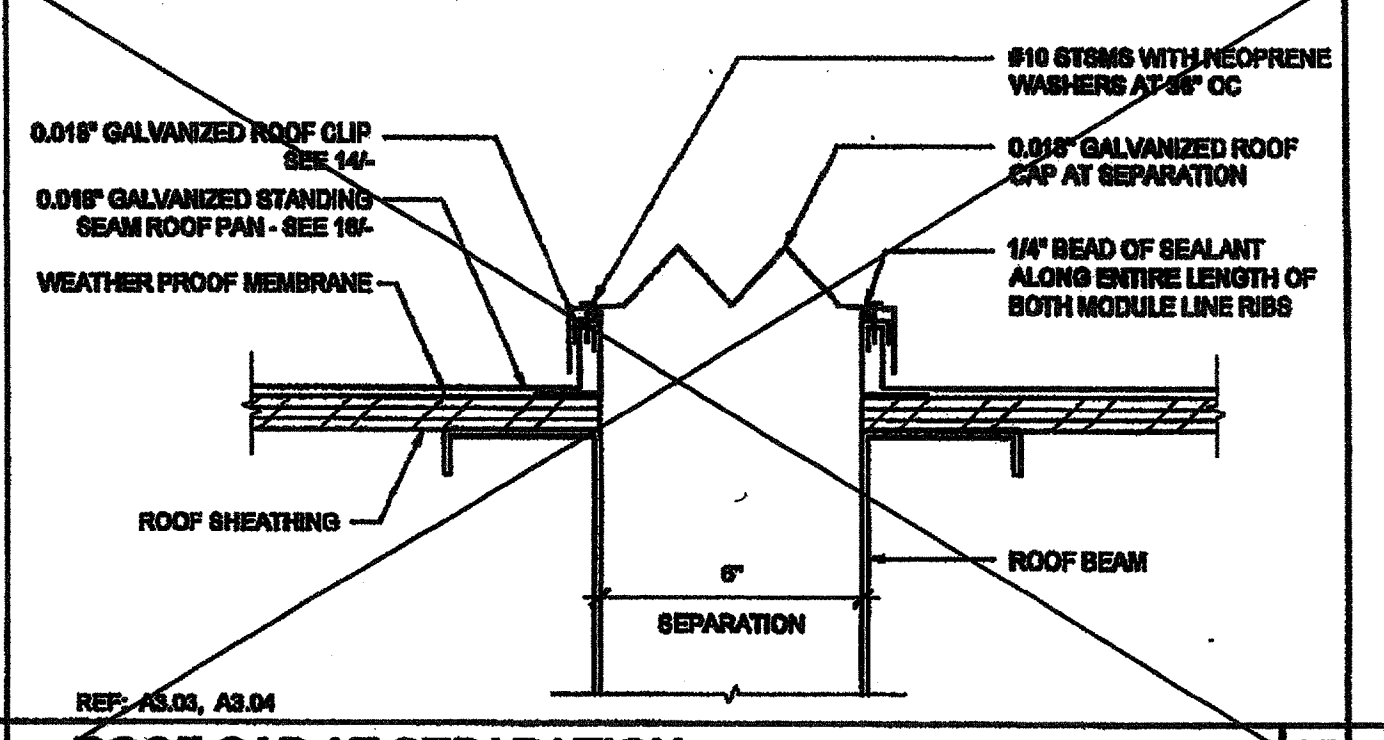
REF: A3.01, A3.02, A3.03, A3.04
ROOF STANDING SEAM SCALE: NTS 9



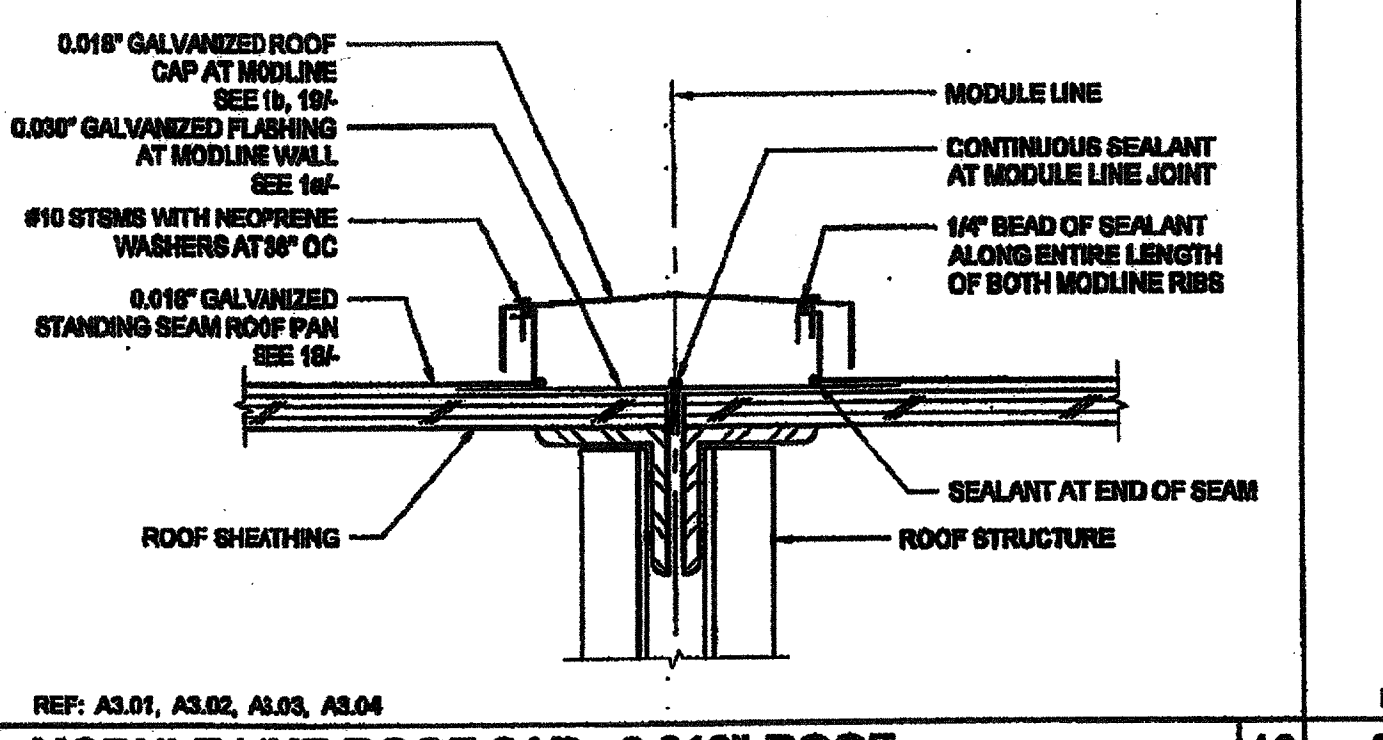
REF: A3.01, A3.02, A3.03
ROOF FLASHING AT HIGH SIDE SCALE: 6"=1'-0" 4



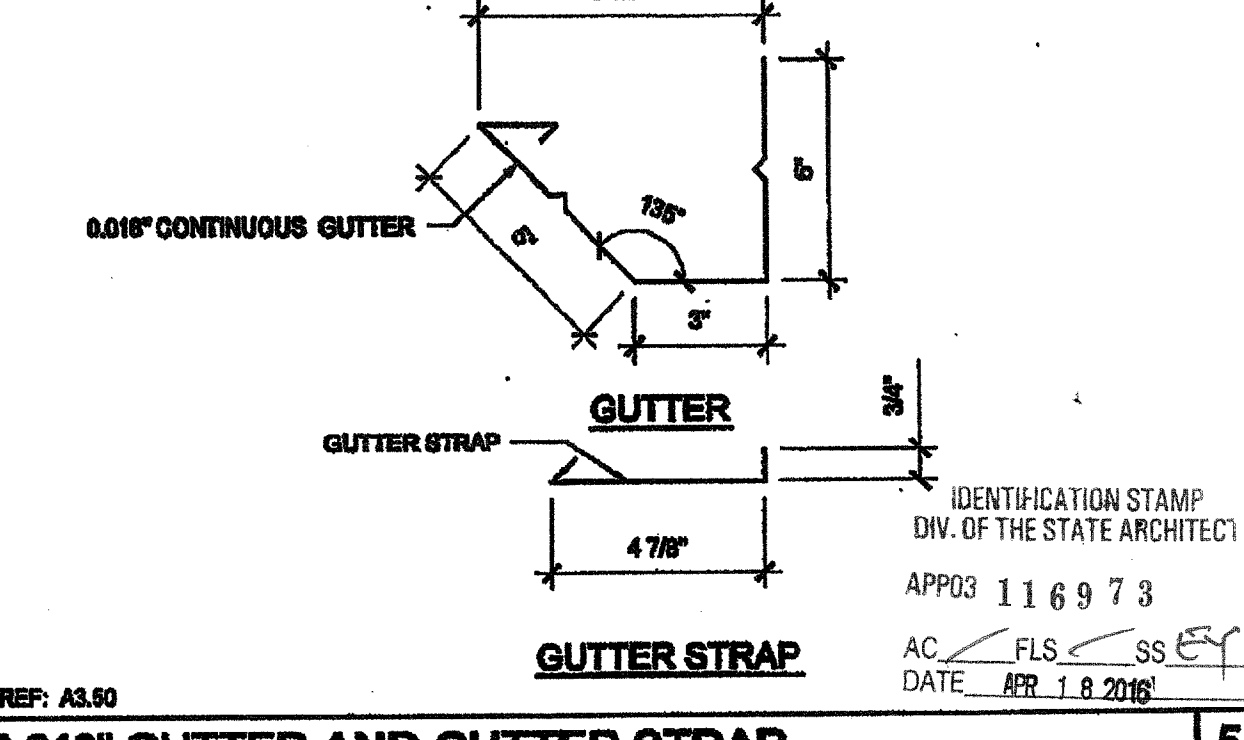
REF: A3.01, A3.02, A3.03, A3.04
DOWNSPOUT ATTACHMENT SCALE: 3"=1'-0" 20



REF: A3.01, A3.04
ROOF CAP AT SEPARATION SCALE: 3"=1'-0" 15



REF: A3.01, A3.02, A3.03, A3.04
MODULE LINE ROOF CAP - 0.018" ROOF SCALE: 3"=1'-0" 10



REF: A3.50
0.018" GUTTER AND GUTTER STRAP SCALE: 3"=1'-0" 5

THESE DRAWINGS AND ALL MATERIAL CONTAINED HEREIN ARE THE PROPERTY OF SILVER CREEK INDUSTRIES, INC. (SCI Inc) AND SHALL NOT BE REPRODUCED, COPIED OR OTHERWISE DISPOSED OF DIRECTLY OR INDIRECTLY AND SHALL NOT BE USED IN WHOLE OR IN PART TO ASSIST IN THE MAKING OF OR FOR THE PURPOSE OF FURNISHING ANY INFORMATION FOR THE MAKING OF DRAWINGS, PRINTS, APPROPRIATE OR PARTS THEREOF WITHOUT THE FULL KNOWLEDGE AND WRITTEN CONSENT OF SCI Inc. ALL PATENTABLE MATERIAL CONTAINED HEREIN AND ORIGINATING WITH SCI Inc SHALL BE THE PROPERTY OF SCI Inc.

SILVER CREEK INDUSTRIES, INC.
BUILDING FOR THE NEXT GENERATION
SILVER CREEK
195 EAST MORGAN FERRIS, CALIFORNIA 92571
PHONE: 951-948-5393 FAX: 951-948-3211

PROJECT NAME:
CLASS LEASING CLASSROOM BLDG'S

SHEET TITLE:
**ROOF DETAILS
0.018" STANDING SEAM
ROOF DECK**

REVISED
12/23/2011

ARCHITECT OF RECORD
STAVARES ARCHITECTURE
12/23/2011

IDENTIFICATION STAMP
DIV. OF THE STATE ARCHITECT
OFFICE OF REGULATION SERVICES
04 11 49
AC FLS SS
DATE AUG 28 2015

PROJECT SPECIFIC STATE AGENCY APPROVAL

IDENTIFICATION STAMP
DIV. OF THE STATE ARCHITECT
OFFICE OF REGULATION SERVICES
04 11 49
AC FLS SS
DATE APR 04 2015

ORIGINAL PC STATE AGENCY APPROVAL

IDENTIFICATION STAMP
DIV. OF THE STATE ARCHITECT
OFFICE OF REGULATION SERVICES
PC 04-112012
AC FLS SS
DATE APR 04 2015

REVISIONS

SILVER CREEK INDUSTRIES
24' x 40' PC

PROJECT NO:
DRAWN BY:
SCALE: AS NOTED
DATE: 12-23-11
P.C. SHEET NUMBER

A-3.50 STKP 126