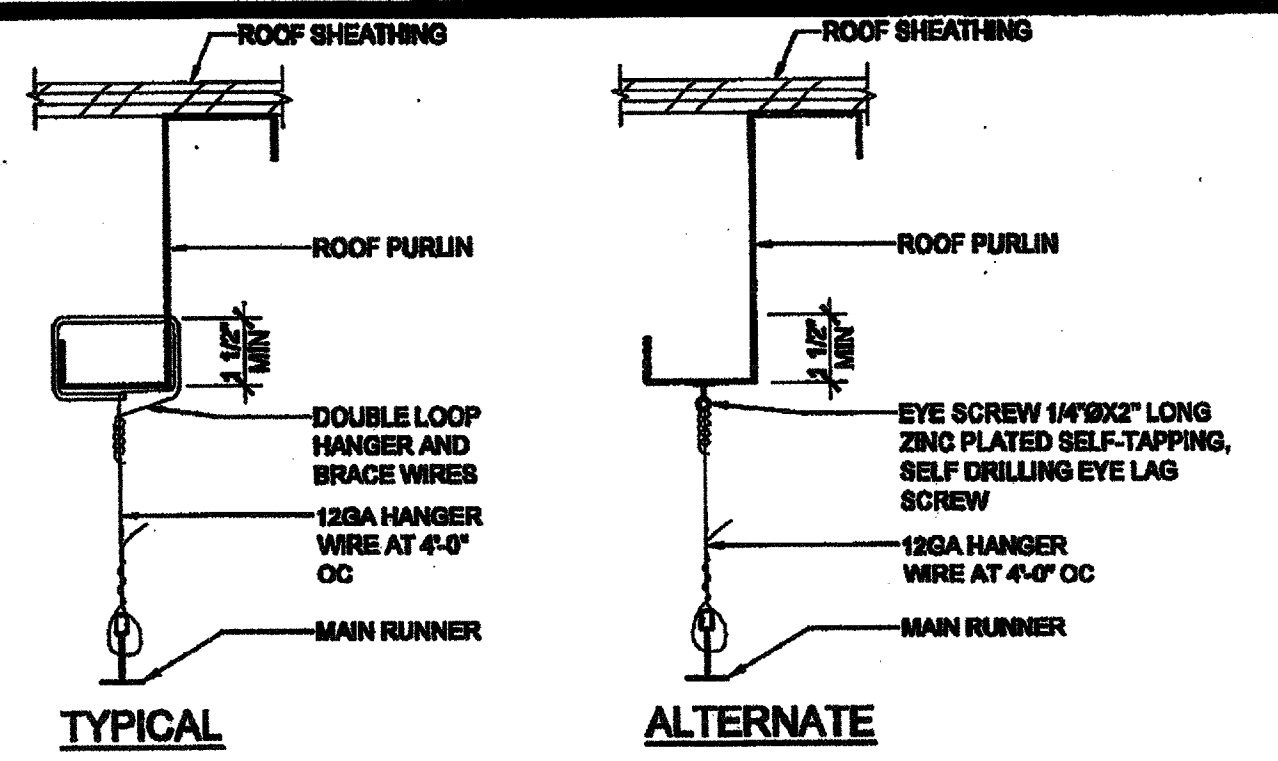
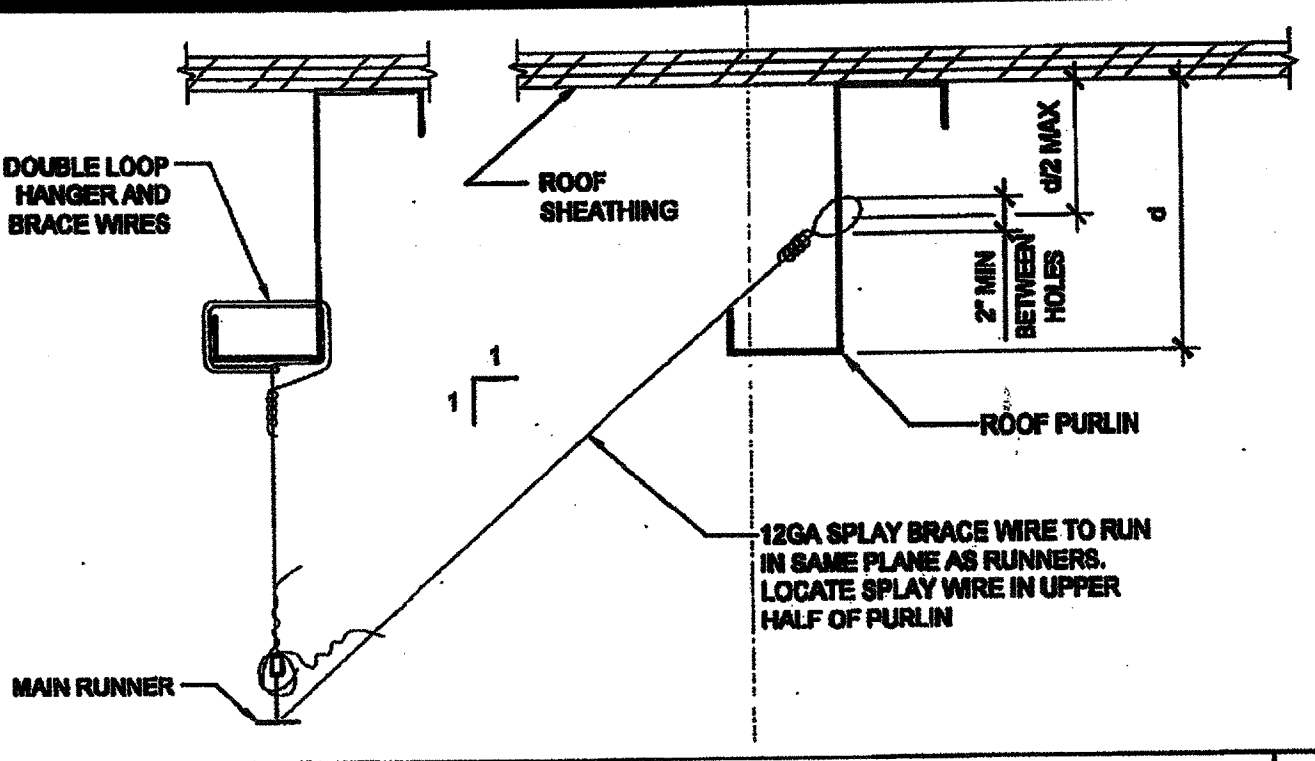


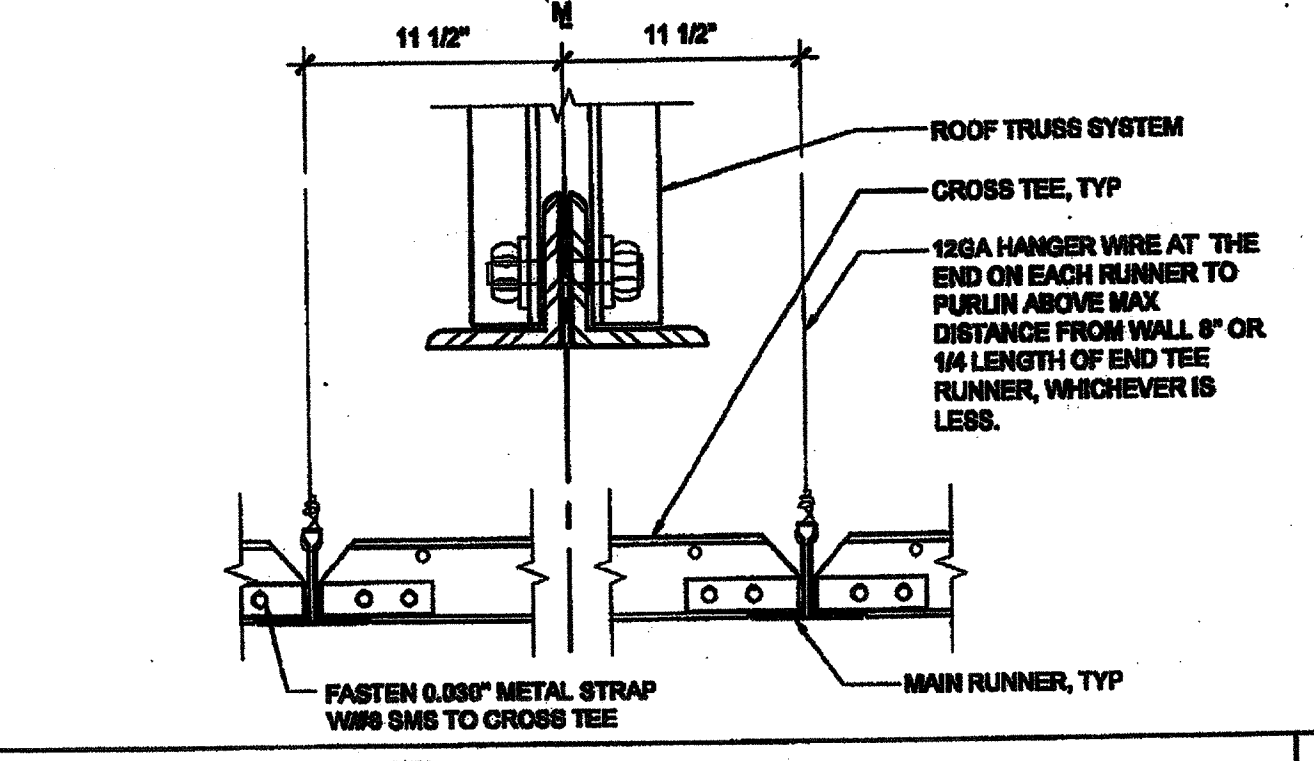
TRAPEZE DETAIL SCALE: NTS 17



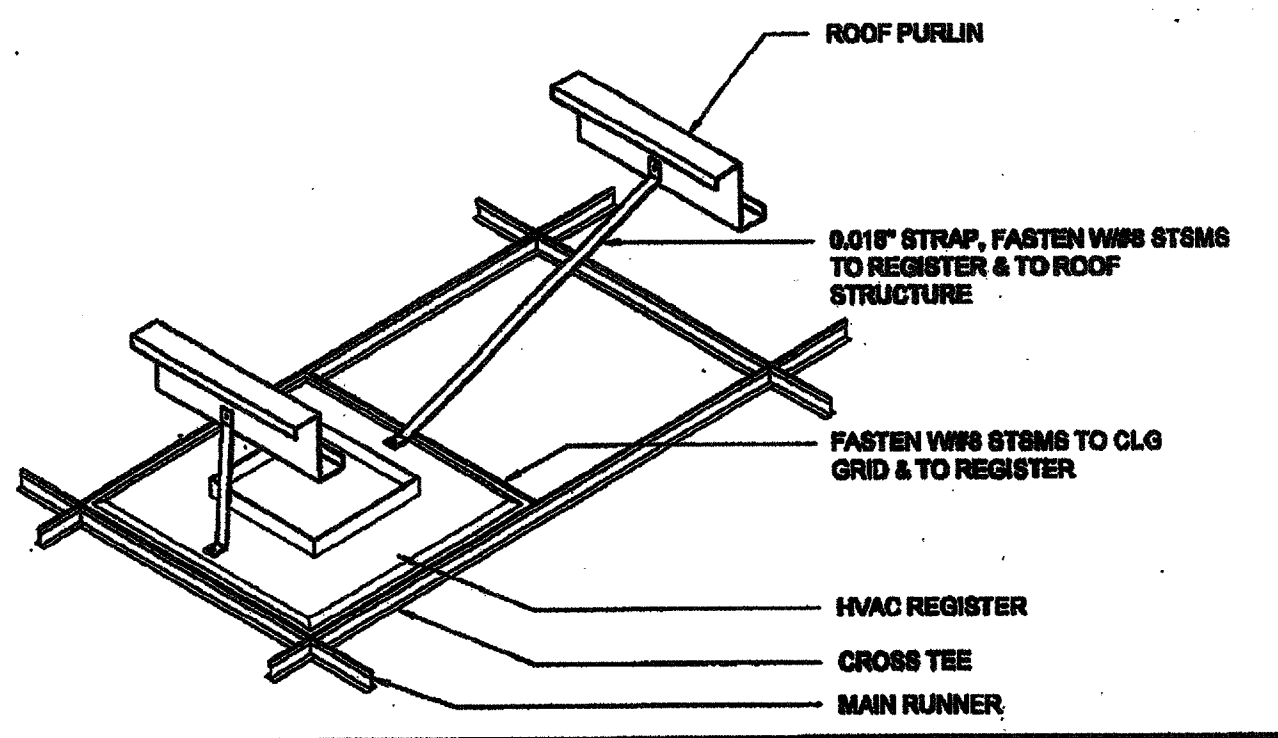
HANGER WIRE DETAIL SCALE: 3/4\"/>



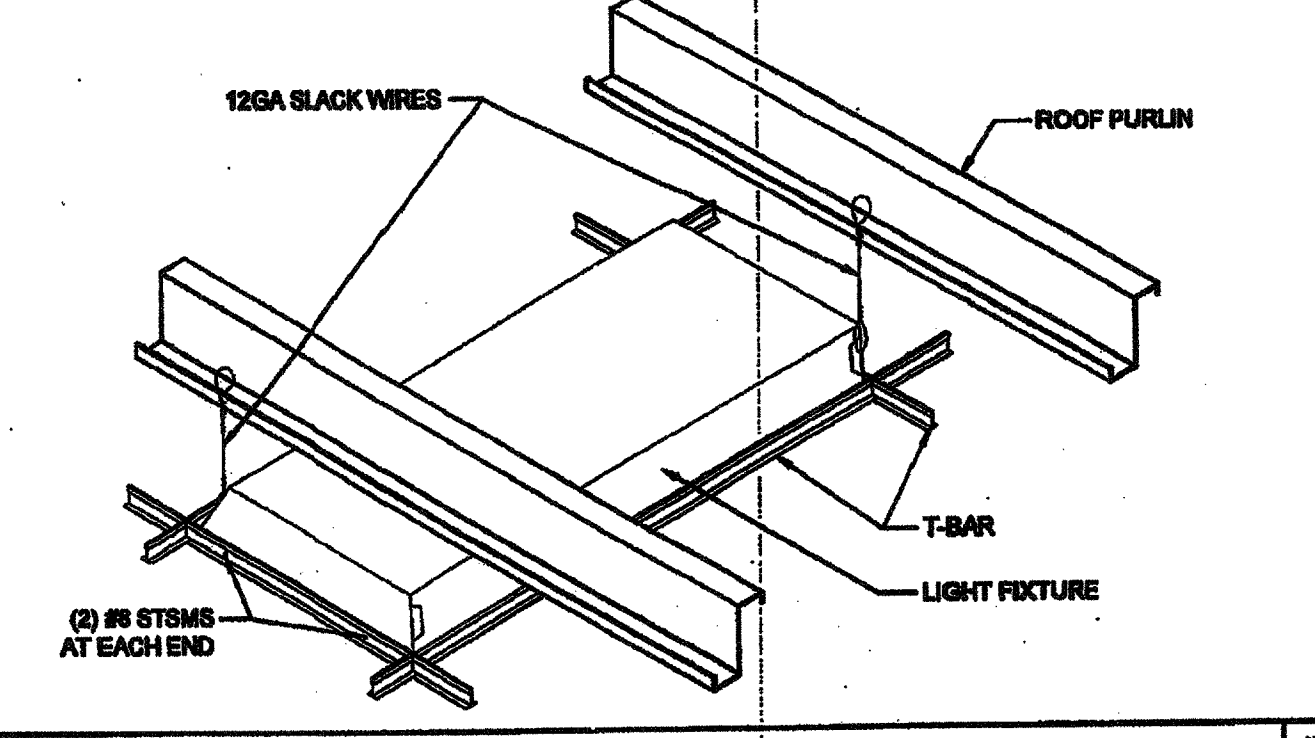
SPLAY BRACING WIRE SCALE: 3/4\"/>



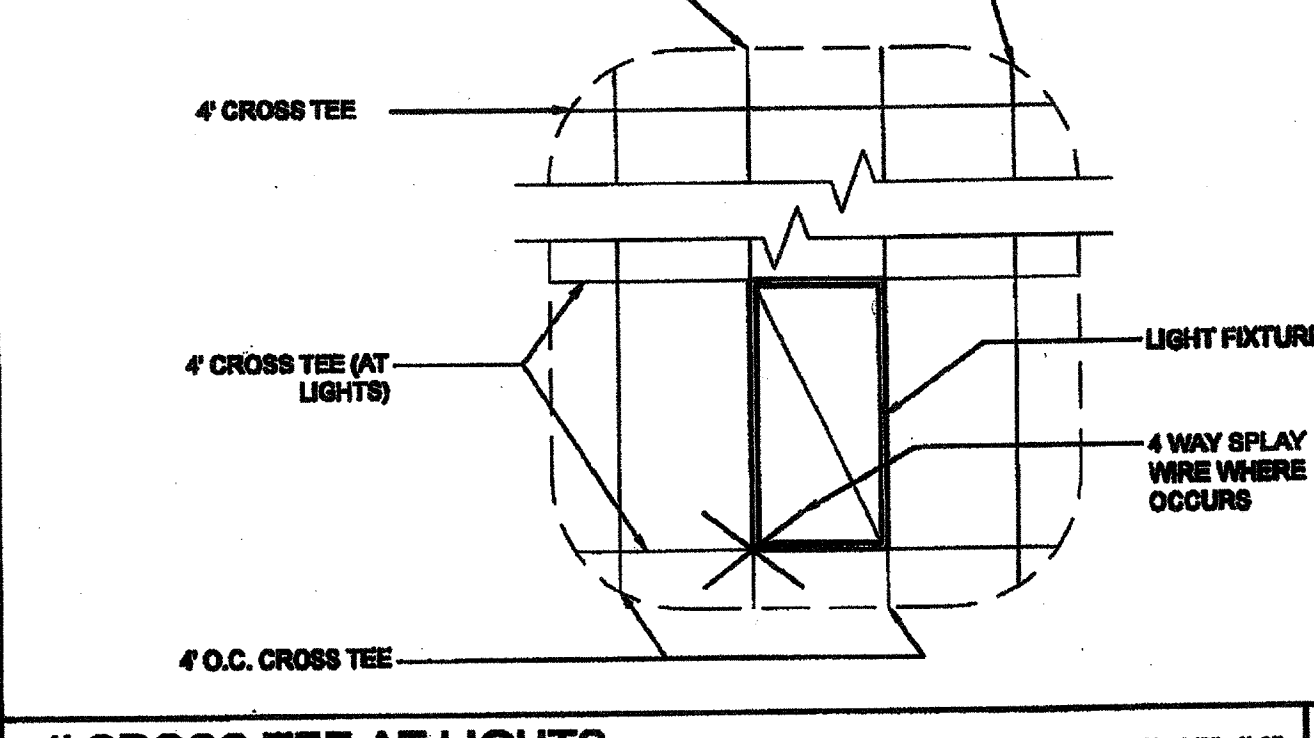
GRID AT MODLINE SCALE: 3/4\"/>



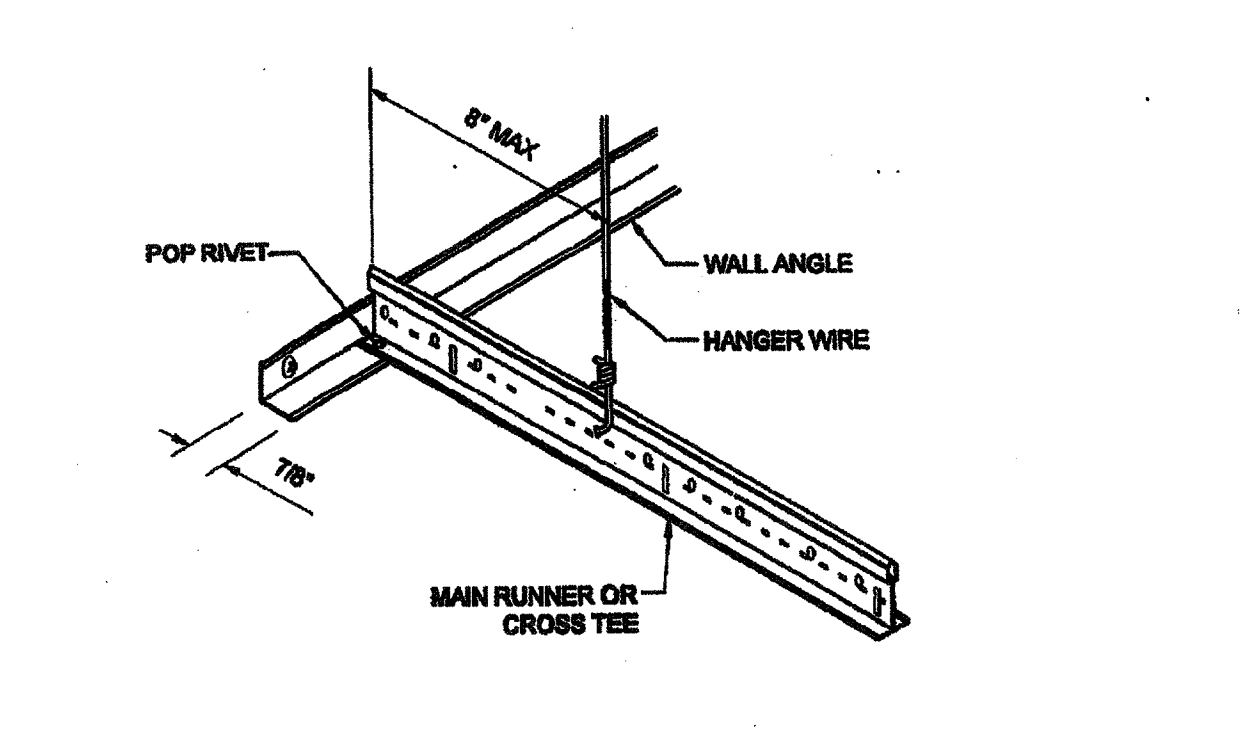
HVAC REGISTER MOUNTING SCALE: NTS 12



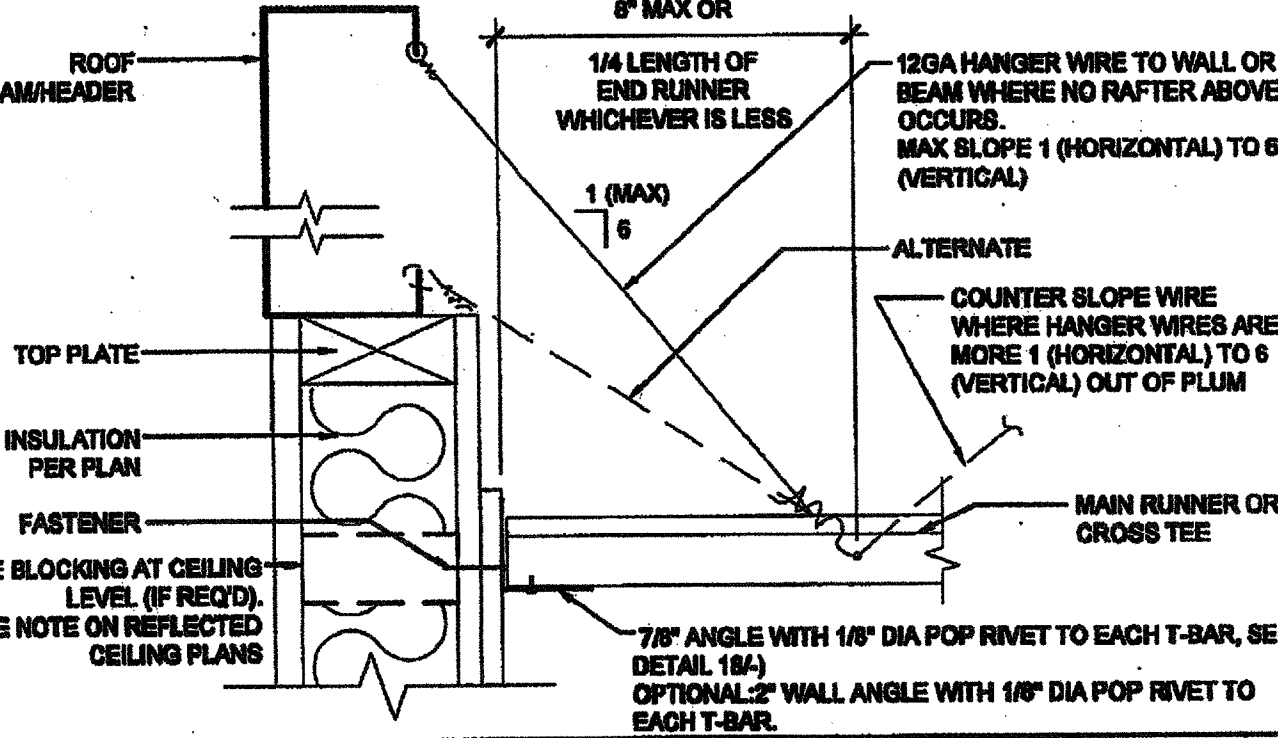
LIGHT FIXTURE MOUNTING SCALE: NTS 7



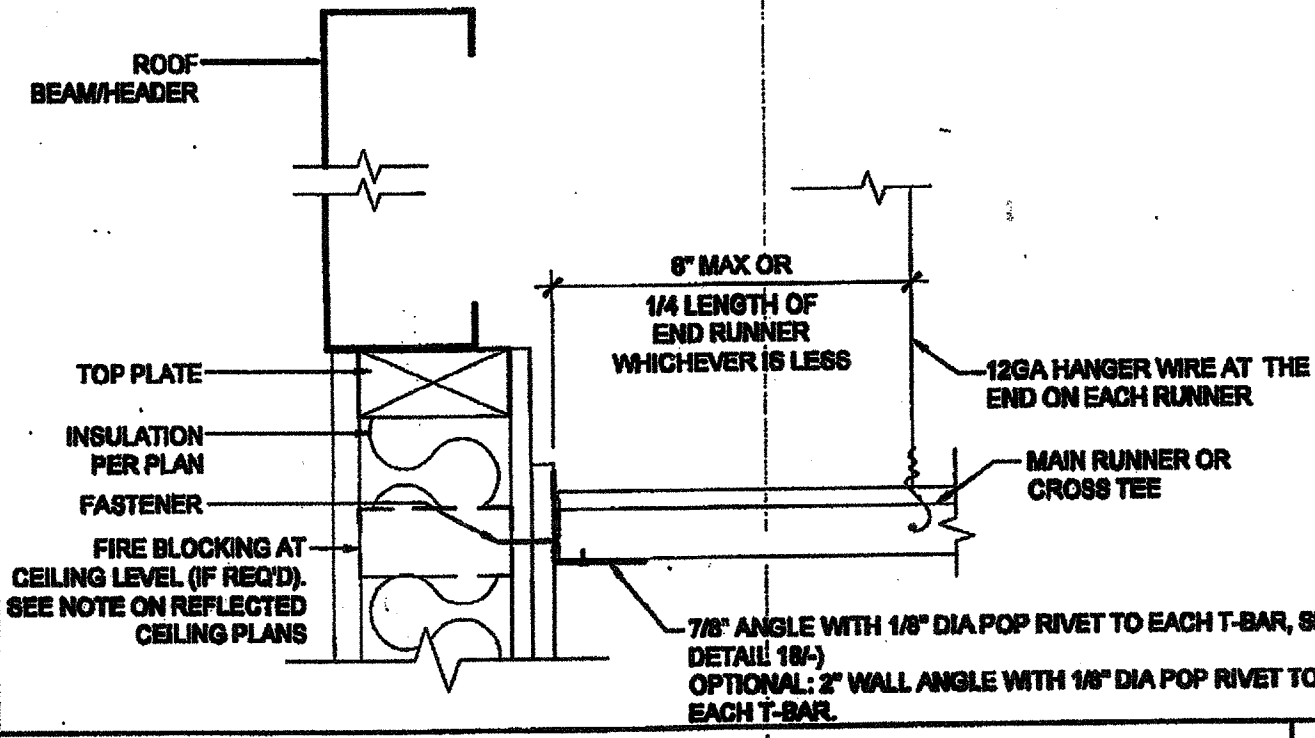
4\"/>



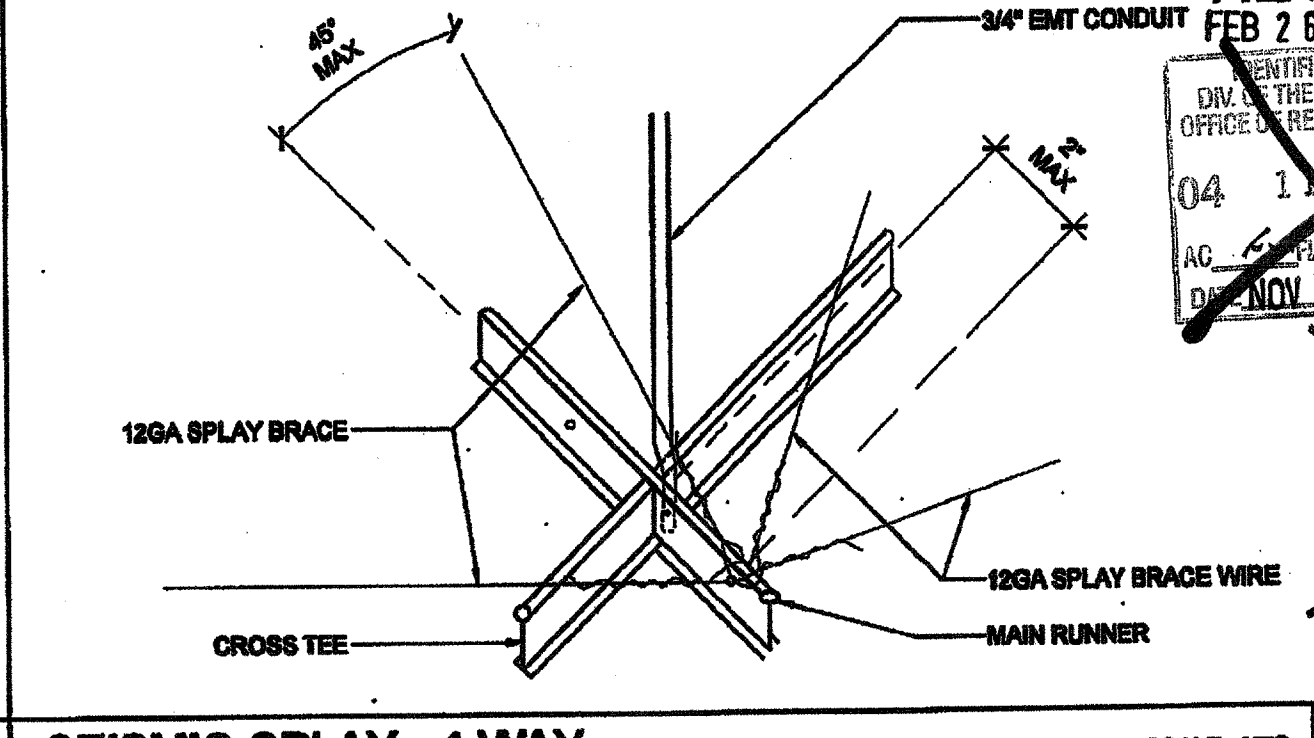
FIXED SIDE WITH 7/8\"/>



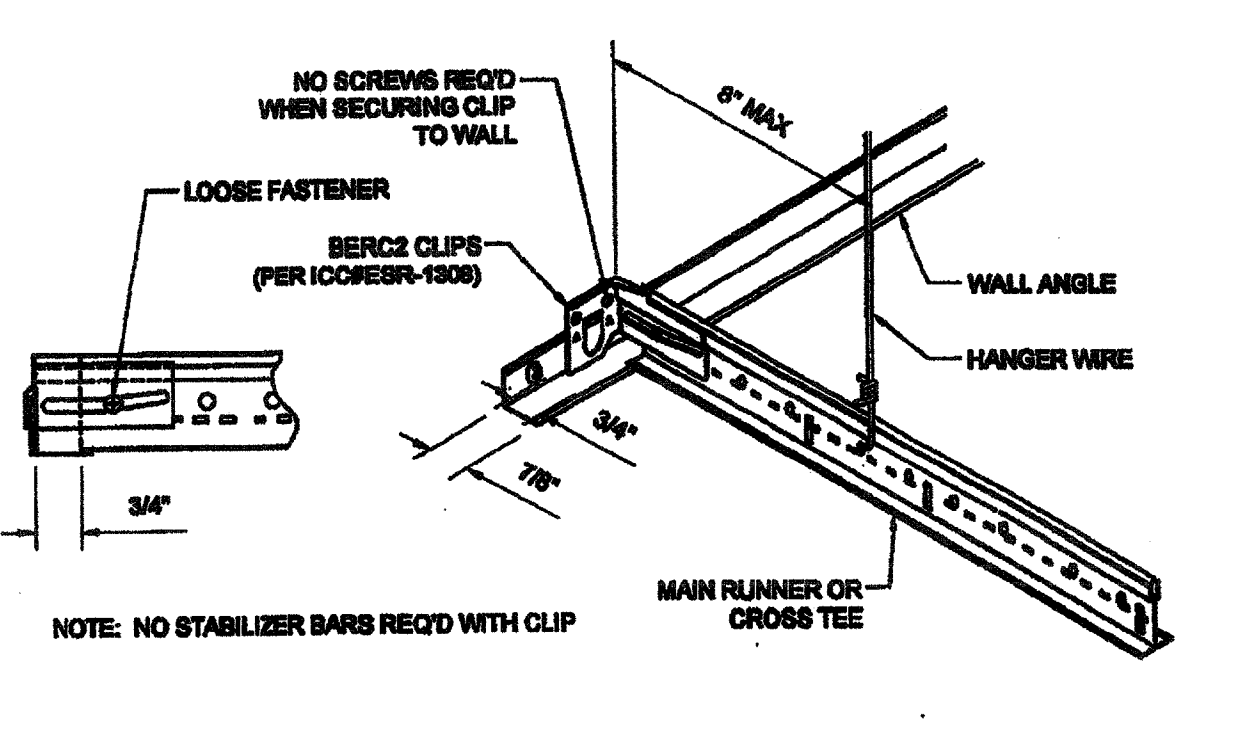
FIXED SIDE (ENDWALL) SCALE: 3/4\"/>



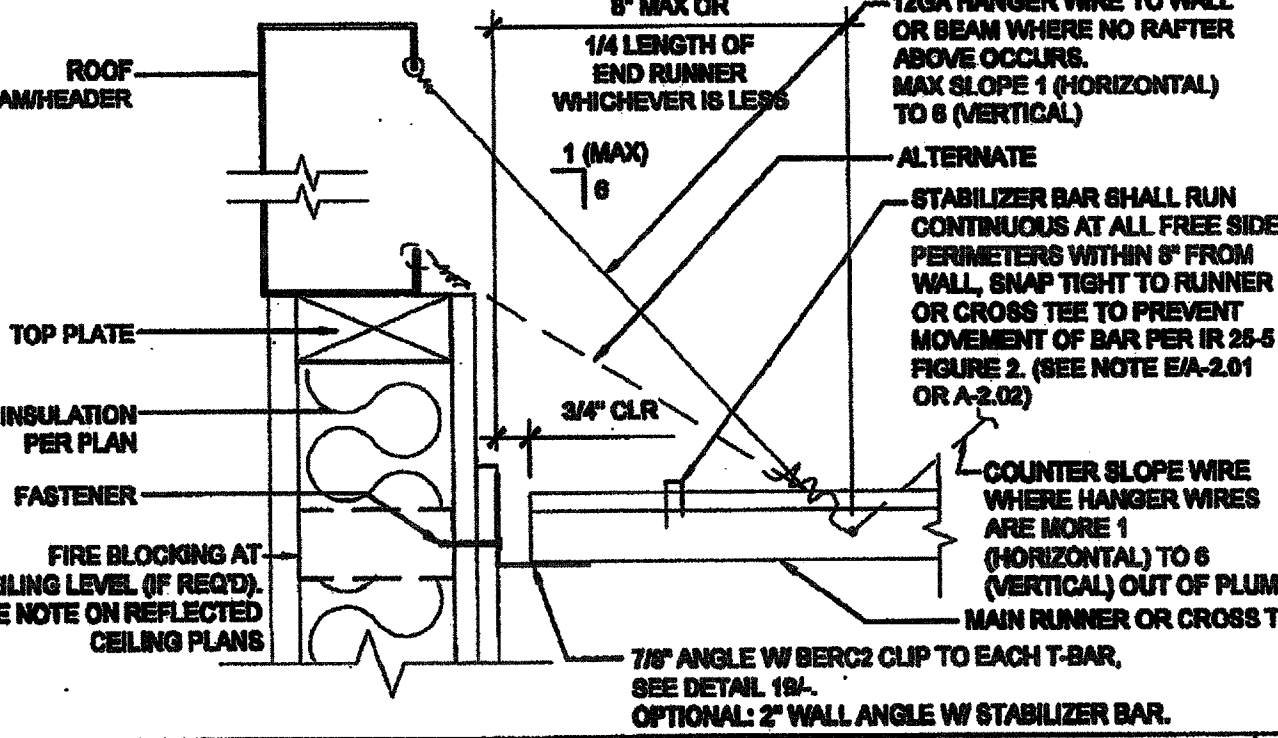
FIXED SIDE (SIDEWALL) SCALE: 3/4\"/>



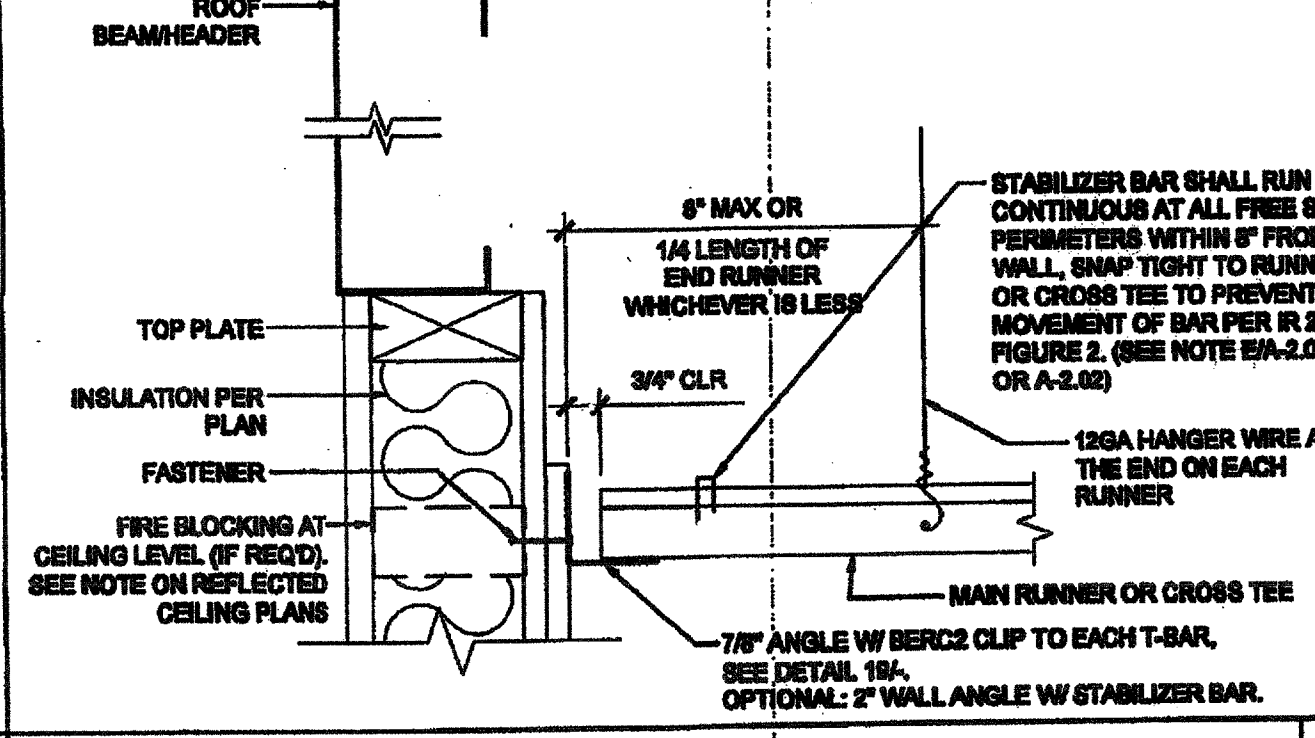
SEISMIC SPLAY - 4 WAY SCALE: NTS 3



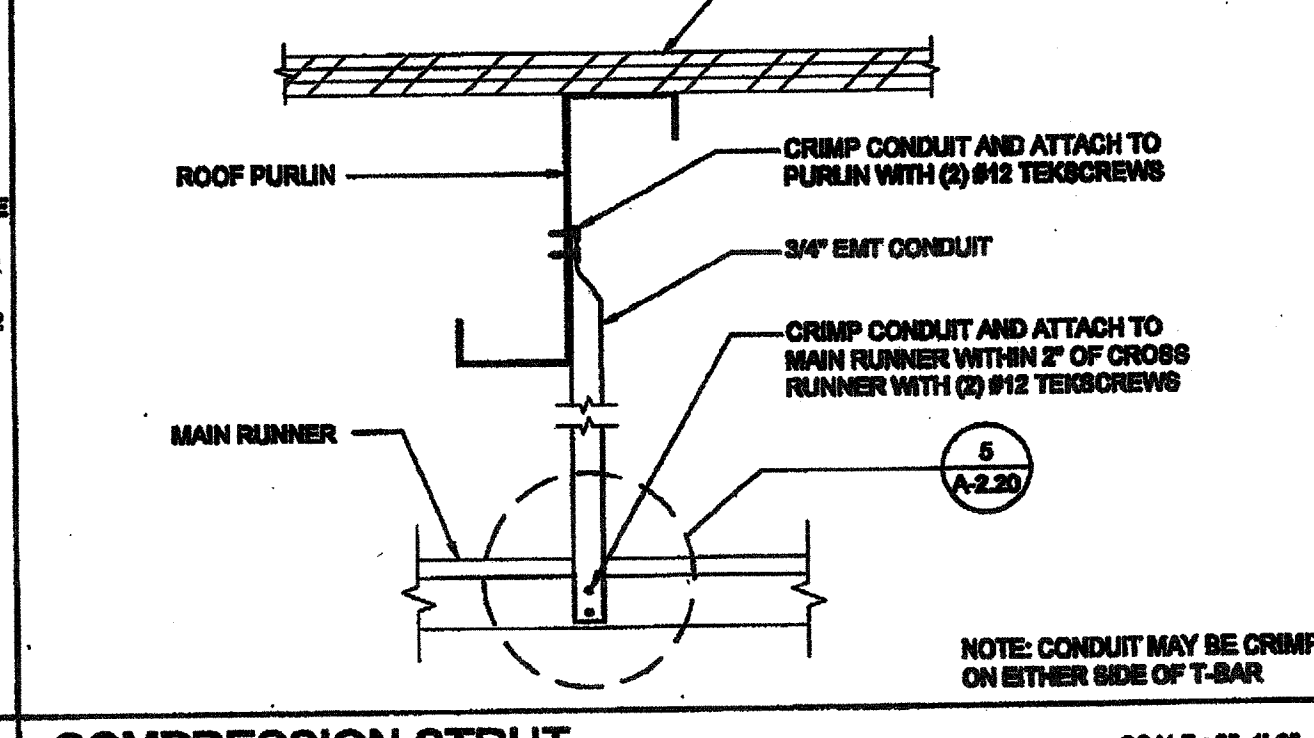
FREE SIDE WITH 7/8\"/>



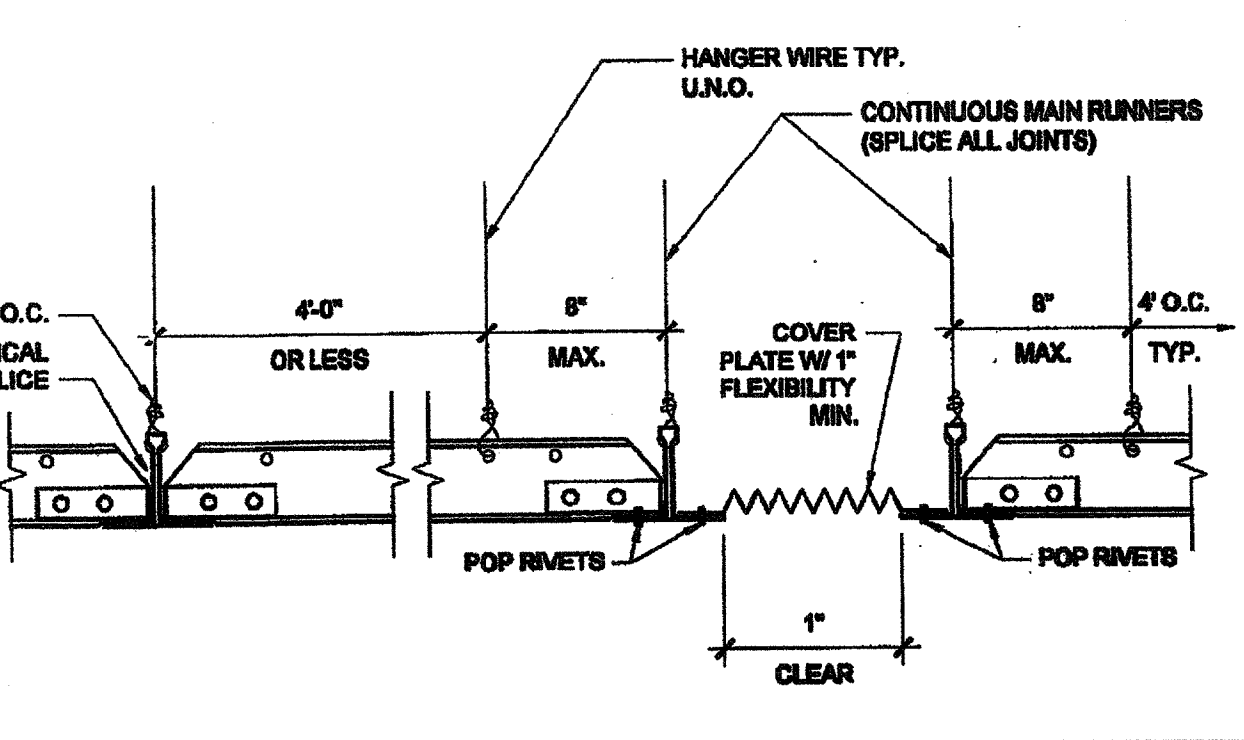
FREE SIDE (ENDWALL) SCALE: 3/4\"/>



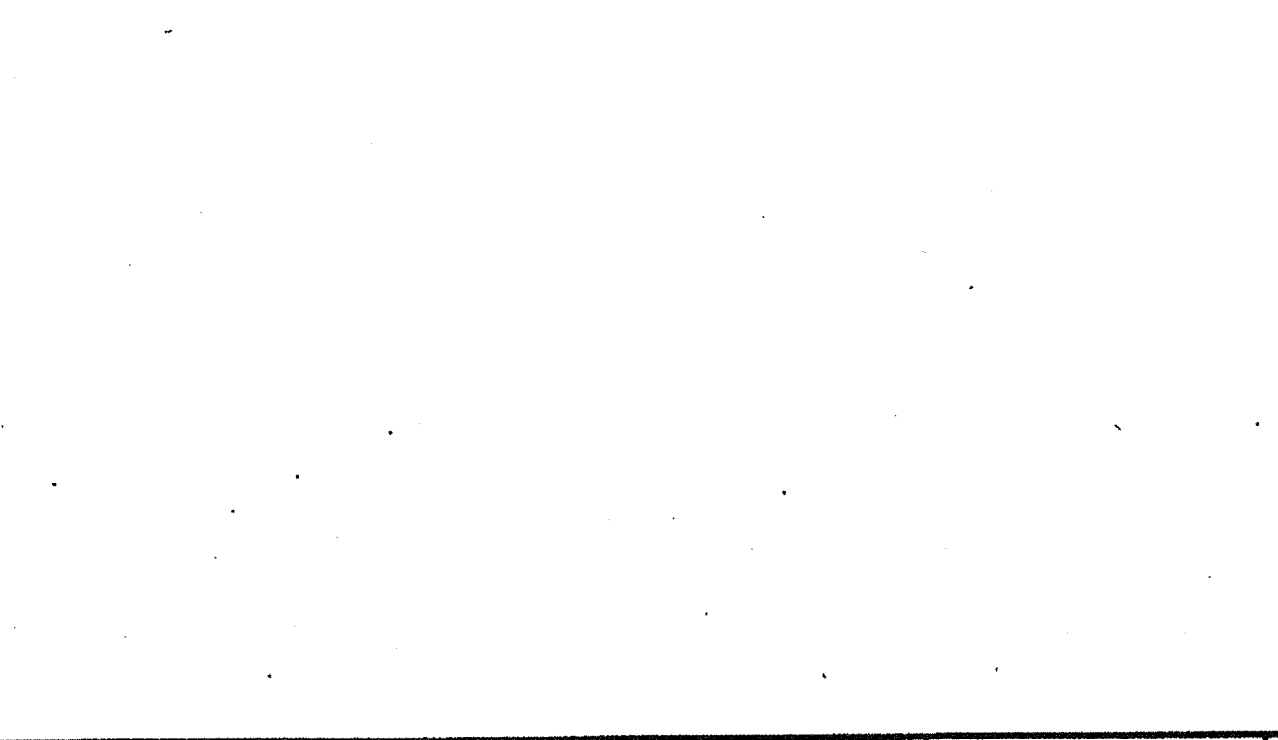
FREE SIDE (SIDEWALL) SCALE: 3/4\"/>



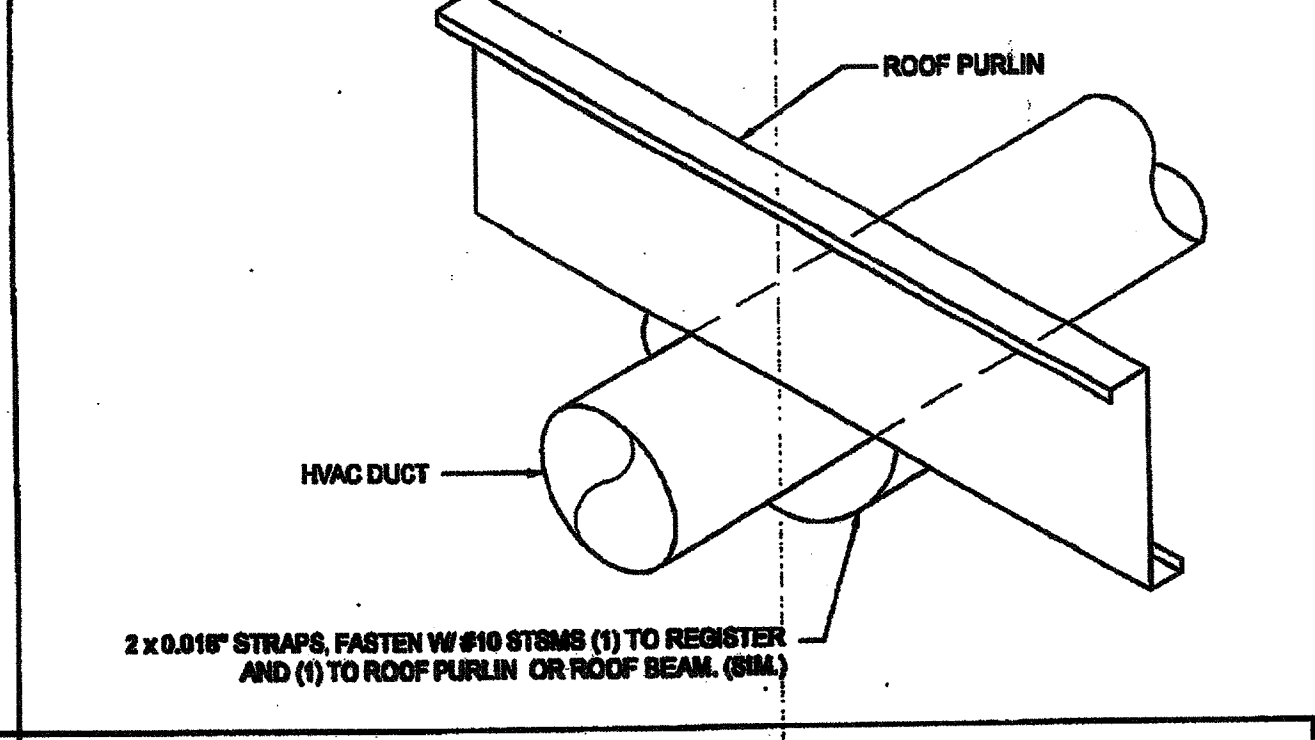
COMPRESSION STRUT SCALE: 3/4\"/>



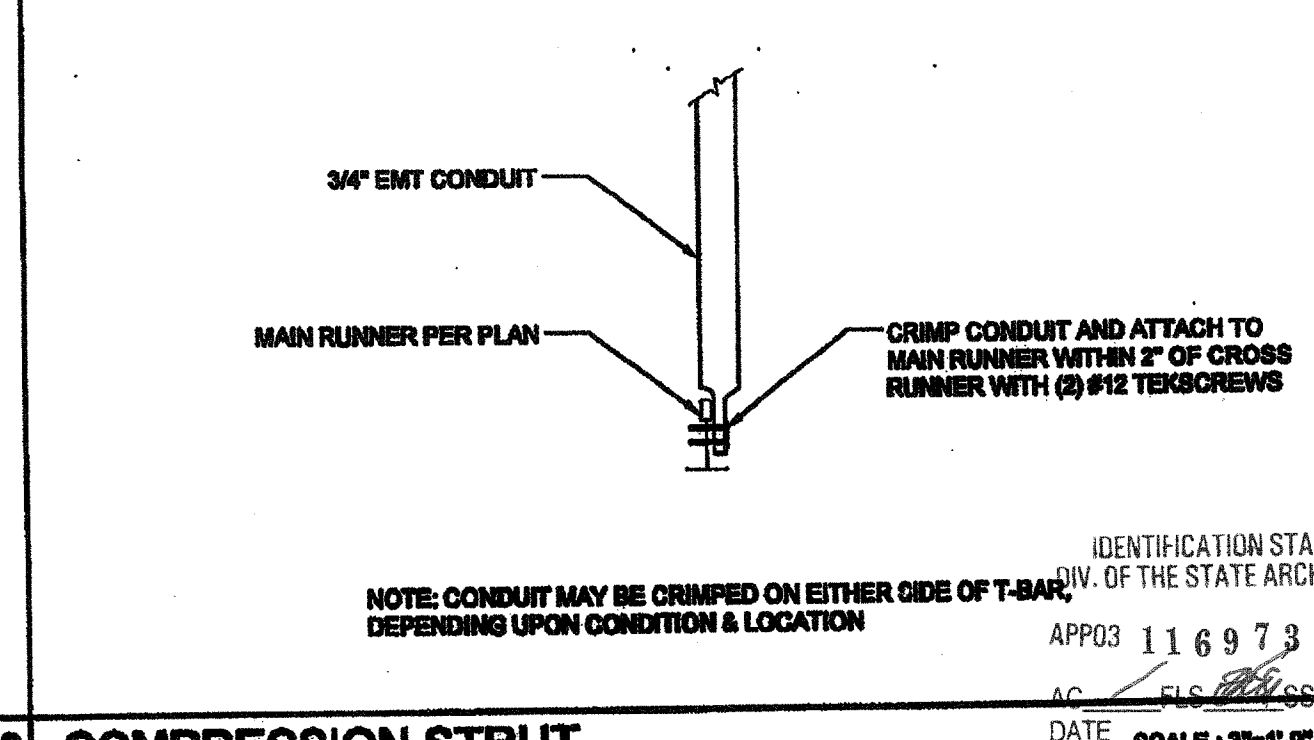
GRID SEISMIC SEPARATION JOINT SCALE: 3/4\"/>



NOT USED 15 **HVAC DUCTWORK MOUNTING** SCALE: NTS 10



COMPRESSION STRUT SCALE: 3/4\"/>



COMPRESSION STRUT SCALE: 3/4\"/>

THESE DRAWINGS AND ALL MATERIAL CONTAINED HEREIN ARE THE PROPERTY OF SILVERCREEK INDUSTRIES, INC (SCI Inc) AND SHALL NOT BE REPRODUCED, COPIED OR OTHERWISE DISPOSED OF DIRECTLY OR INDIRECTLY AND SHALL NOT BE USED IN WHOLE OR IN PART TO ASSIST IN THE MAKING OF OR FOR THE PURPOSE OF FURNISHING ANY INFORMATION FOR THE MAKING OF DRAWINGS, PRINTS, APPARATUS OR PARTS THEREOF WITHOUT THE FULL KNOWLEDGE AND WRITTEN CONSENT OF SCI Inc. ALL PATENTABLE MATERIAL CONTAINED HEREIN AND ORIGINATING WITH SCI Inc SHALL BE THE PROPERTY OF SCI Inc.

SILVER CREEK INDUSTRIES, INC.
 "BUILDING FOR THE NEXT GENERATION"
SILVER CREEK
 195 EAST MORGAN PERIS, CALIFORNIA 92571
 PHONE: 951-948-5398 FAX: 951-943-2211

PROJECT NAME:
CLASS LEASING CLASSROOM BLDG'S
 SHEET TITLE:
CEILING DETAILS T-GRID

TAVARES ASSOCIATES
 3033 S. MICHIGAN AVENUE, SUITE 200, ANAHEIM, CA 92805
 (714) 939-1234
 IDENTIFICATION STAMP
 DIV. OF THE STATE ARCHITECTURE & ENGINEERING REGULATION SERVICES
 04 11 2011
 DATE: APR 28 2011
 PROJECT SPECIFIC STATE AGENCY APPROVAL
 IDENTIFICATION STAMP
 DIV. OF THE STATE ARCHITECTURE & ENGINEERING REGULATION SERVICES
 04 11 2011
 DATE: APR 28 2011
 ORIGINAL PC STATE AGENCY APPROVAL
 IDENTIFICATION STAMP
 DIV. OF THE STATE ARCHITECTURE & ENGINEERING REGULATION SERVICES
 04 11 2011
 DATE: APR 28 2011

REVISIONS

SILVER CREEK INDUSTRIES
 24" x 40" FC
 PROJECT NO:
 DRAWN BY:
 SCALE: AS NOTED
 DATE: 12-23-11
 P.C. SHEET NUMBER
A-2.20
 STKP 126

IDENTIFICATION STAMP
 DIV. OF THE STATE ARCHITECTURE & ENGINEERING REGULATION SERVICES
 04 11 2011
 DATE: APR 28 2011
 IDENTIFICATION STAMP
 DIV. OF THE STATE ARCHITECTURE & ENGINEERING REGULATION SERVICES
 04 11 2011
 DATE: APR 28 2011
 IDENTIFICATION STAMP
 DIV. OF THE STATE ARCHITECTURE & ENGINEERING REGULATION SERVICES
 04 11 2011
 DATE: APR 28 2011