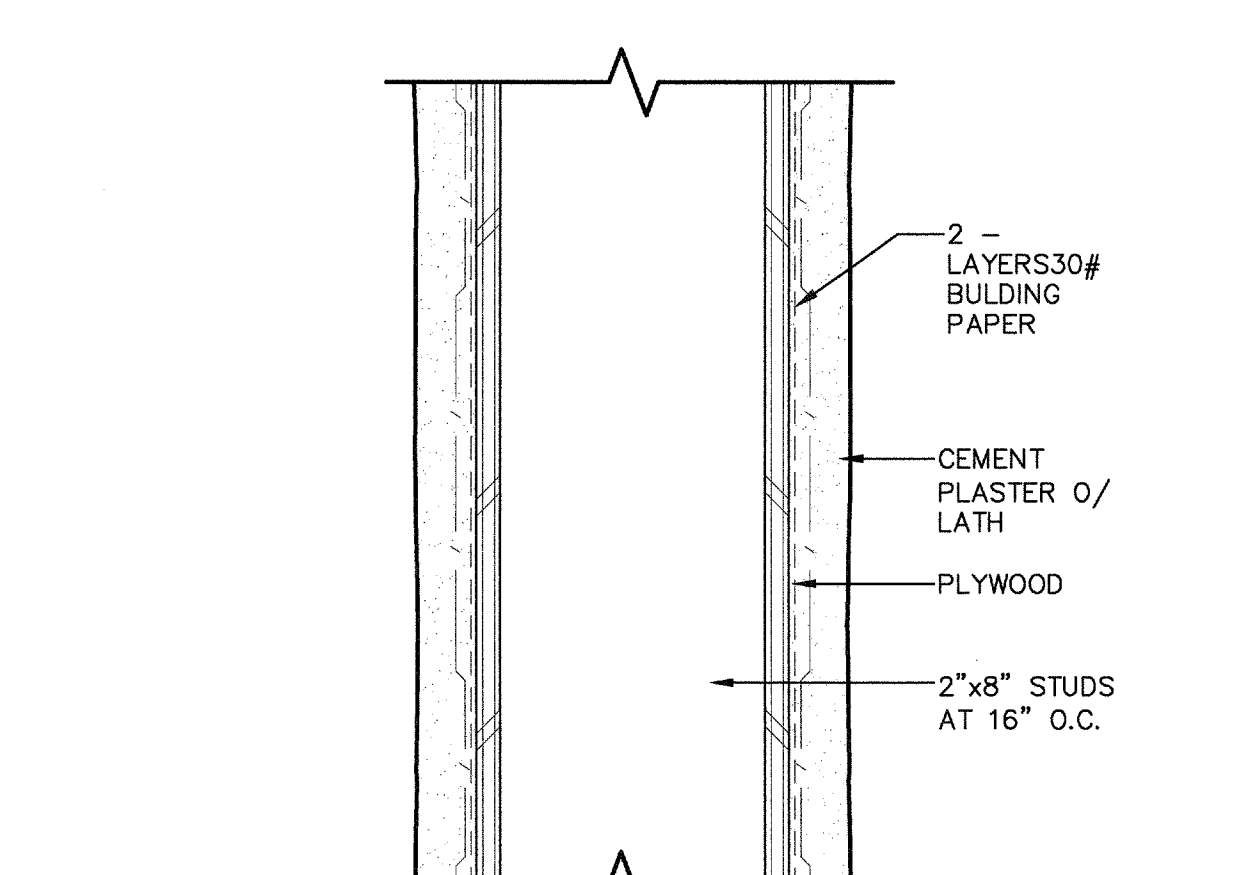
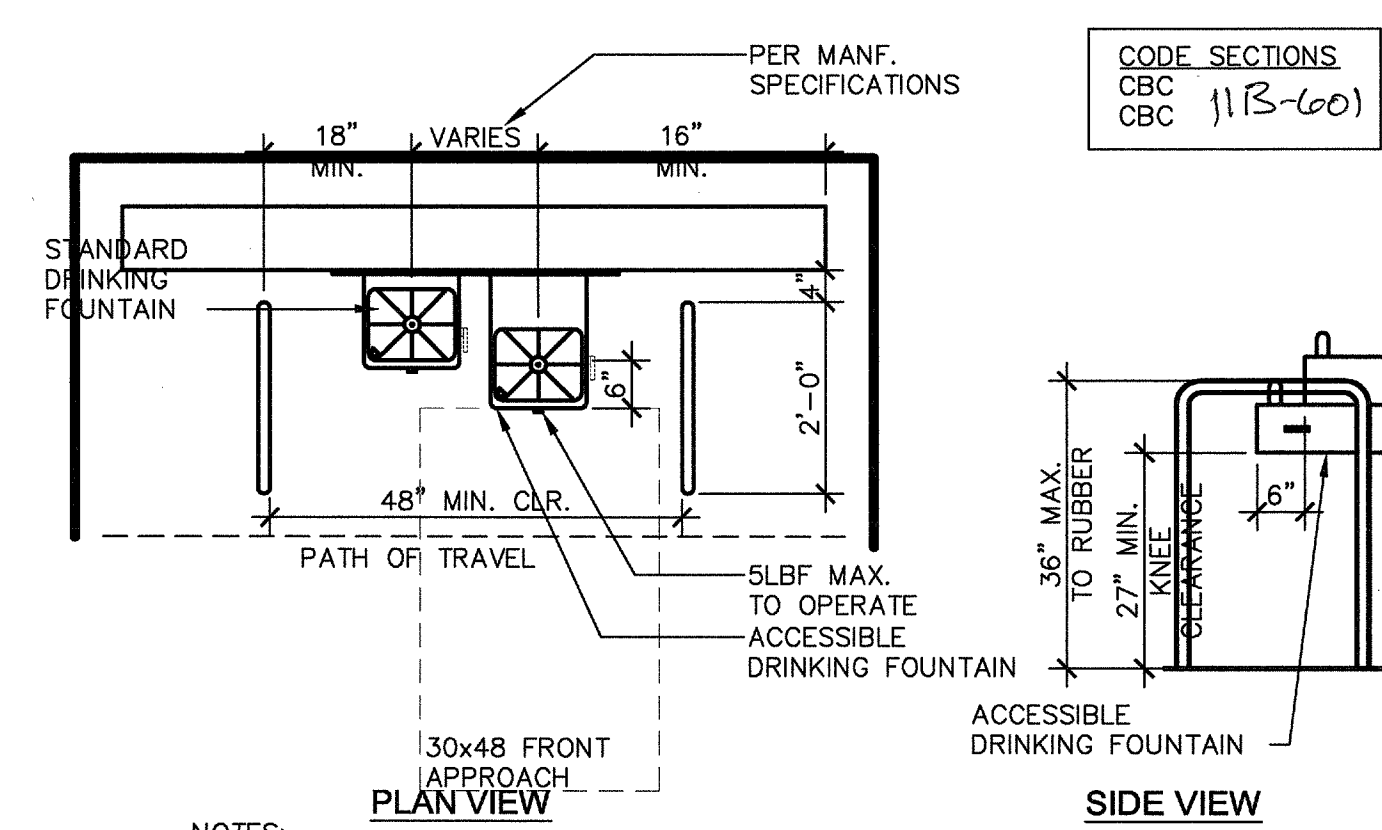


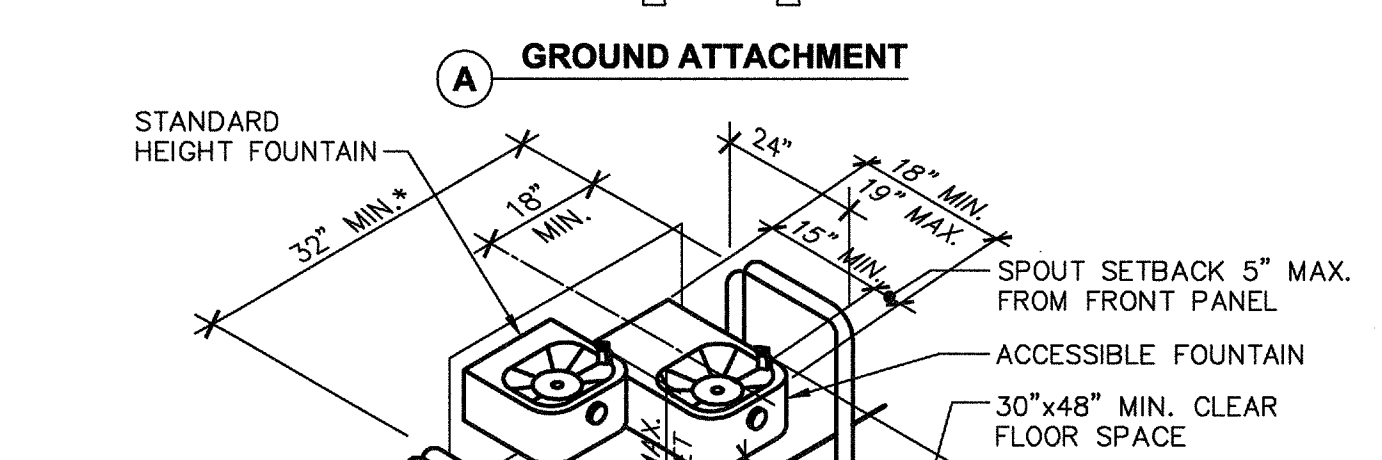
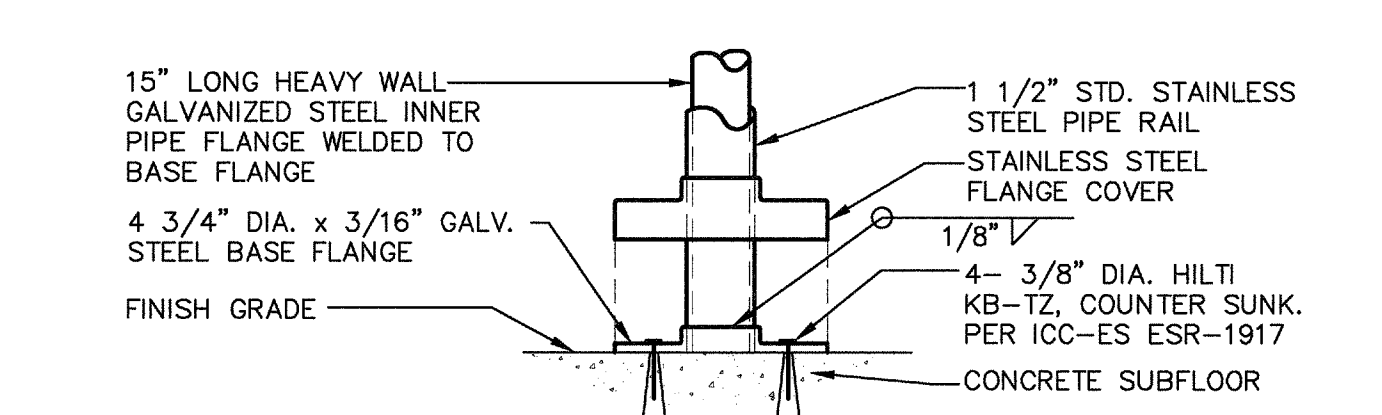
6 WALL AT DRINKING FOUNTAIN
 A1.05 ADA100-02 SCALE: 1" = 1'-0"



7 CEMENT PLASTER AT DRINKING FOUNTAIN
 A1.05 ADW141-14 SCALE: 3" = 1'-0"



1 HI LOW DRINKING FOUNTAIN
 A1.05 ADA000-01 SCALE: 1/2" = 1'-0"



3 DRINKING FOUNTAIN
 A1.05 ADA000-02 SCALE: 1" = 1'-0"

Ownership of Documents
 This document, the ideas and designs incorporated herein, as an instrument of Professional Service is the property of Integrated Designs by SOMAM Inc. and is not to be used, in whole or in part for any other project without written authorization.
 © COPYRIGHT 2015

integrated designs by SOMAM, Inc.
 ARCHITECTURE · ENGINEERING · INTERIOR DESIGN · CONSTRUCTION MANAGEMENT
 8011 N. Fresno, Suite 130 - Fresno, California 93710
 Phone (569) 436-0881 Fax (569) 436-0887 E-Mail: design@somam.com
 www.integrateddesigns.com

Rev. No.	Date	Description

SITE DETAILS

Project Name & Address:
2 RELOCATABLE BUILDINGS
FREMONT ELEMENTARY SCHOOL
 BAKERSFIELD CITY SCHOOL DISTRICT
 607 TEXAS STREET BAKERSFIELD, CA 93307

Issue Date: 04/06/16
 Designer: JMF
 DR: JMF
 PC: JMF

Agency Approval Stamp:

FILE #:
 IDENTIFICATION STAMP
 DIV. OF THE STATE ARCHITECT
 OFFICE OF REGULATION SERVICES
 110073
 AC 11 E FLS SS 07
 DATE 11/8/2016
 TRACKING #:

Stamp(s):

Job No.: **5176**

Sheet No.: **A1.05**

Release: -