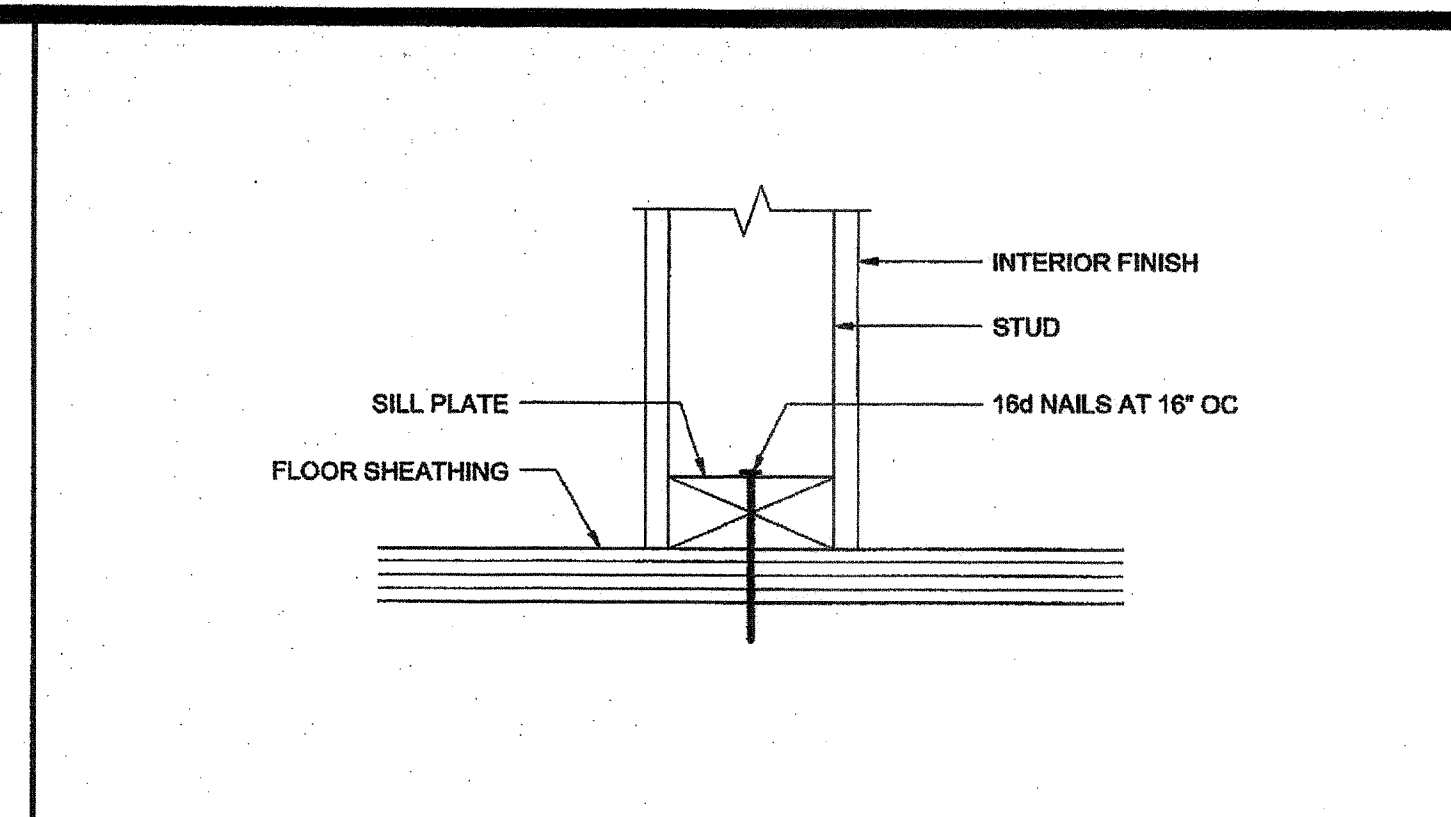
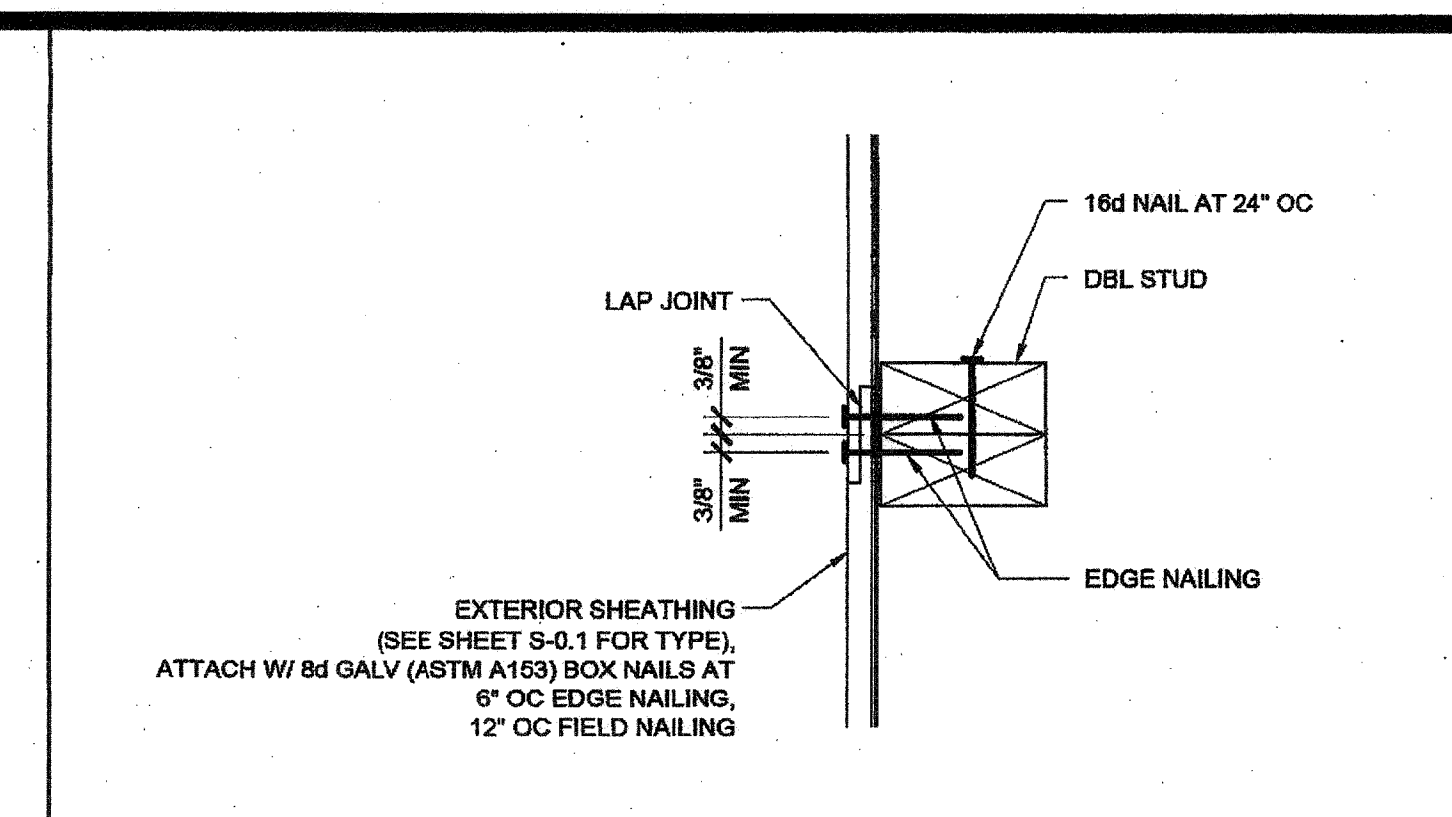


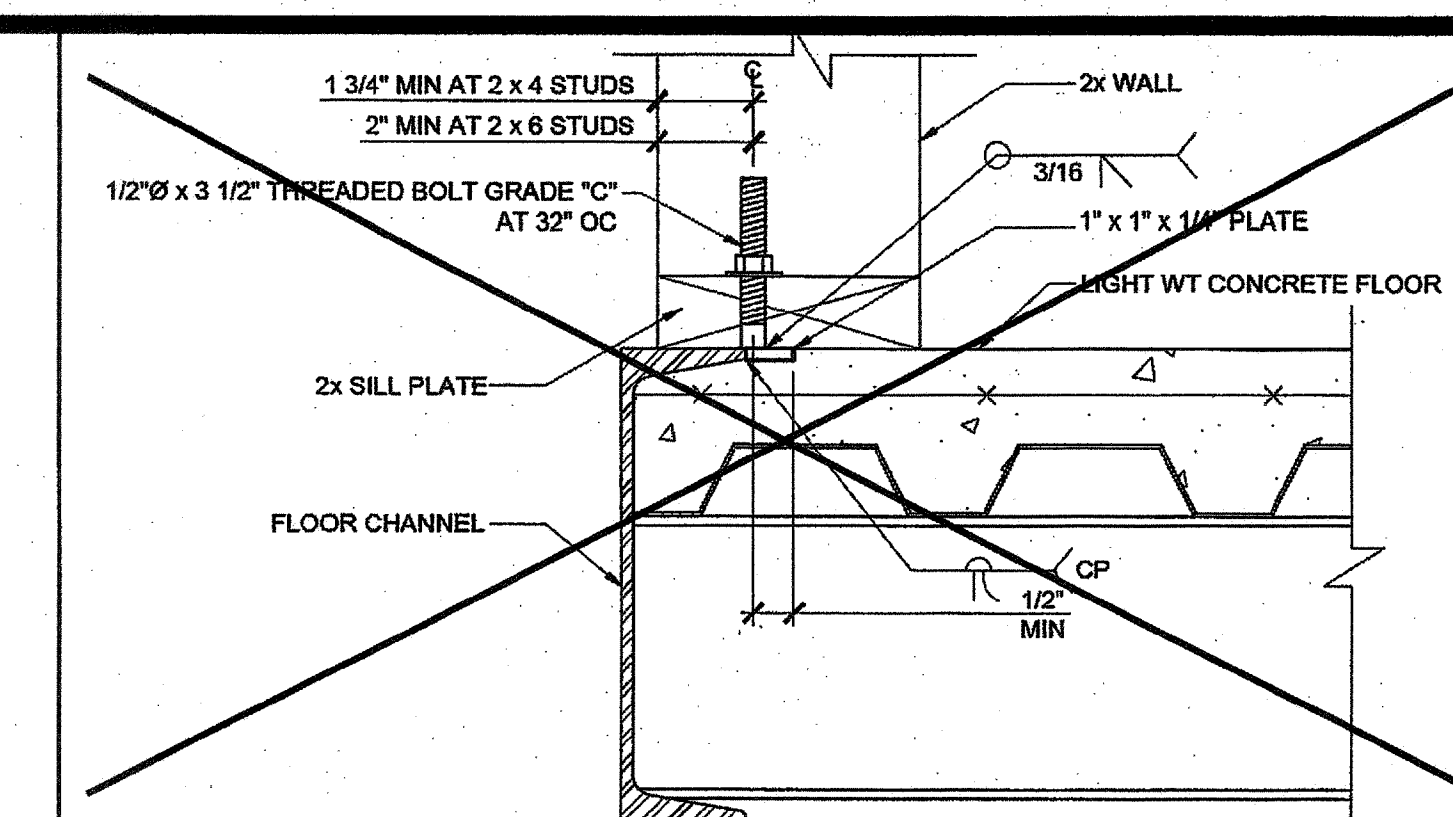
PARTITION CONNECTION AT CONC FLOOR SCALE: 3\"/>



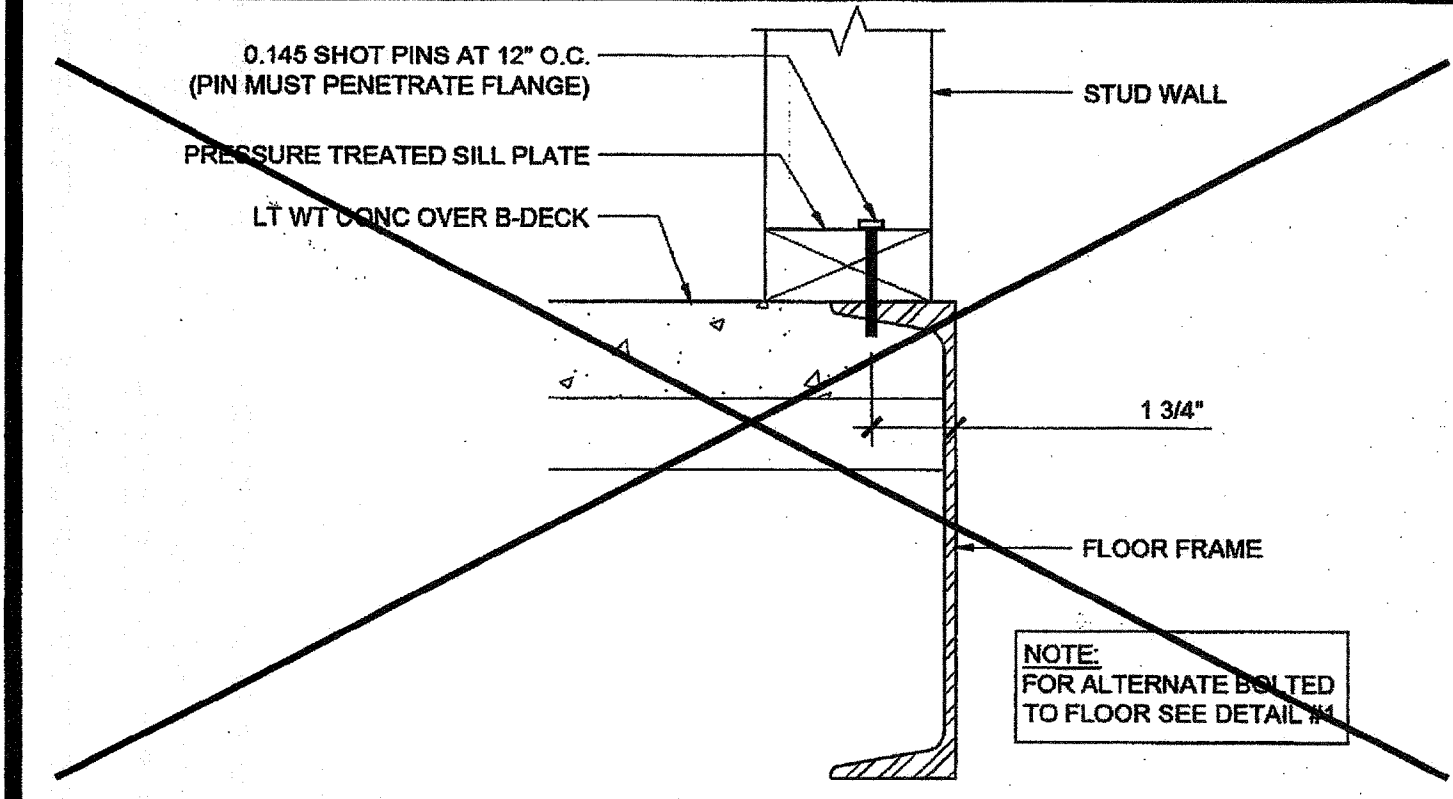
PARTITION CONNECTION AT WOOD FLOOR SCALE: 3\"/>



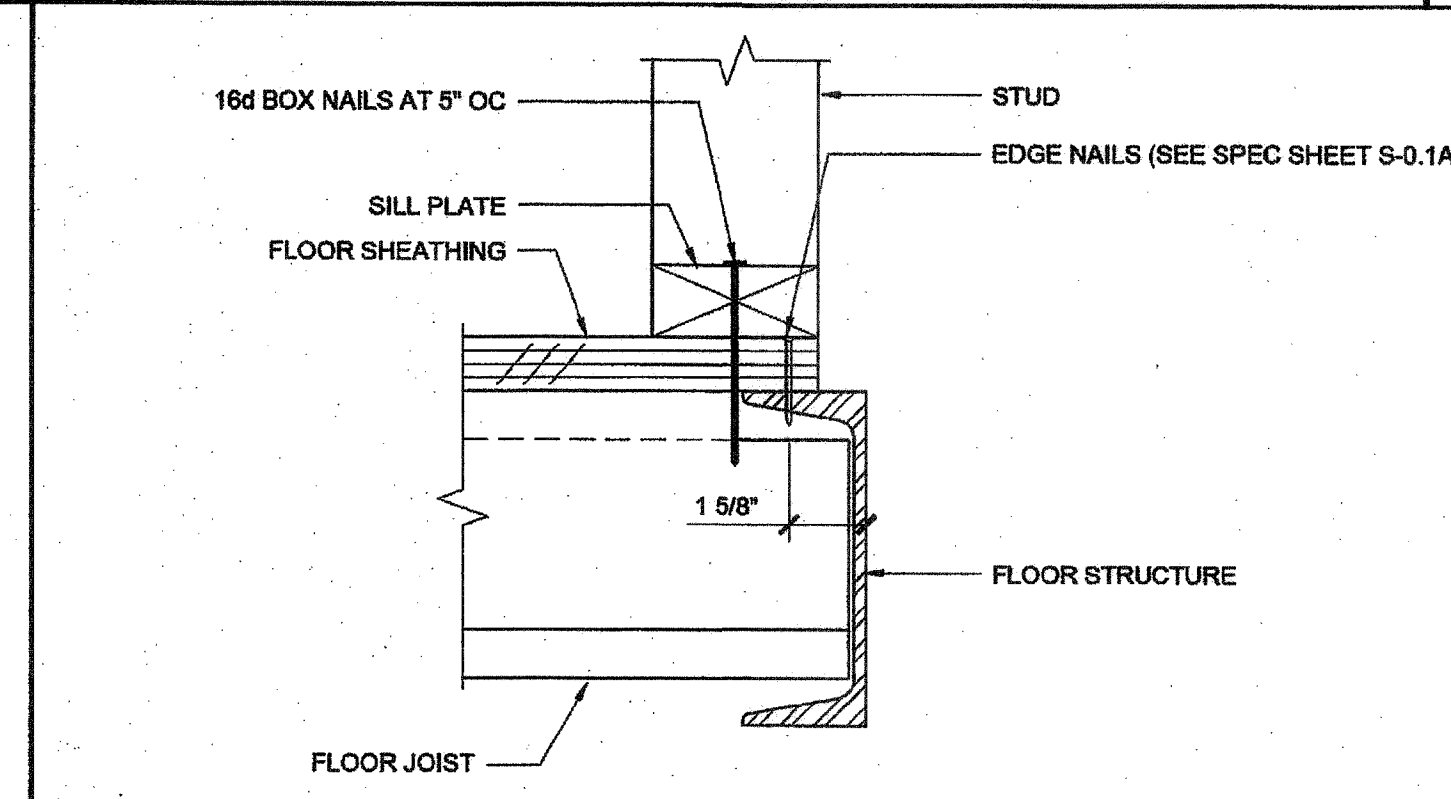
VERTICAL SHEATHING LAP JOINT SCALE: 3\"/>



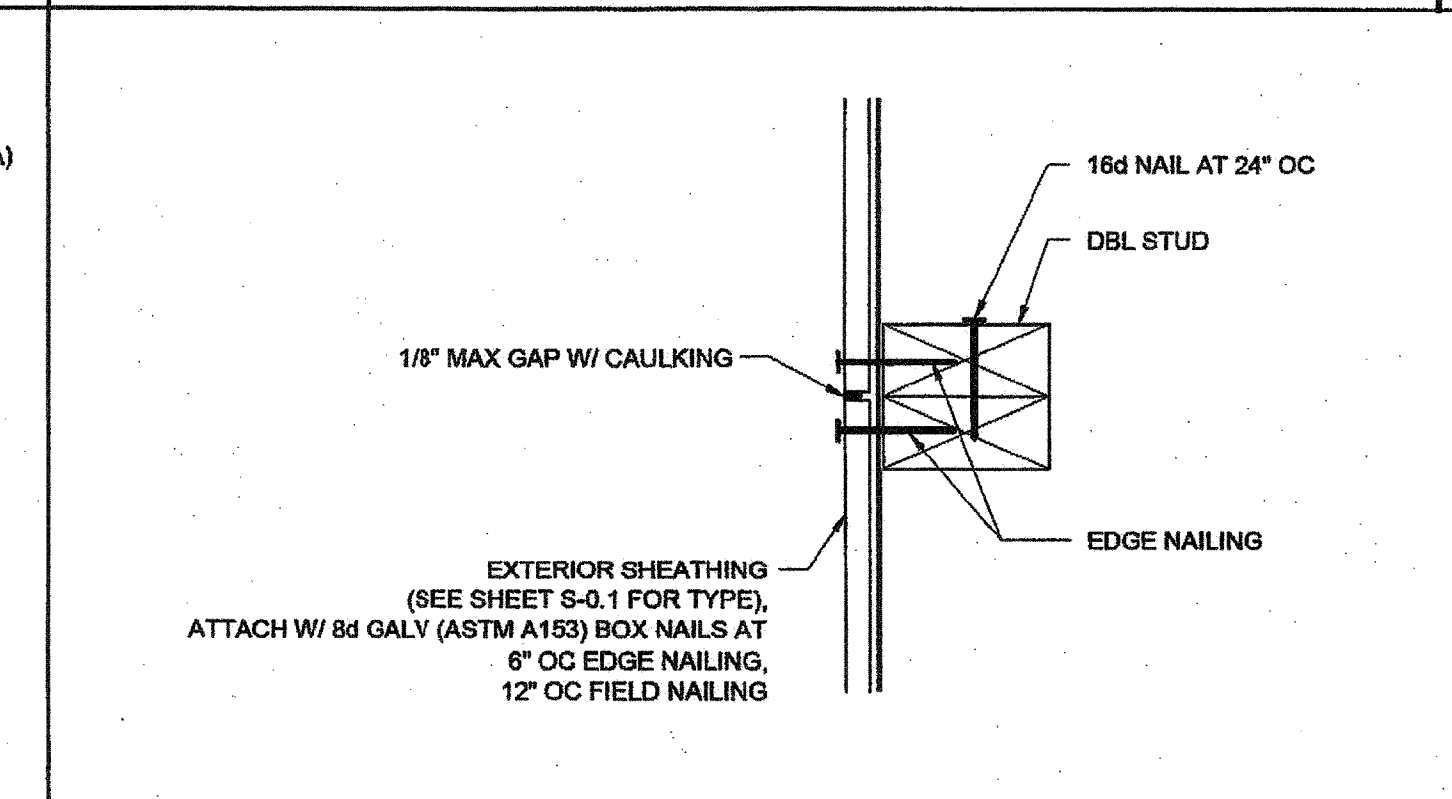
OPTIONAL BOLTED WALL TO FLOOR SCALE: NTS 1



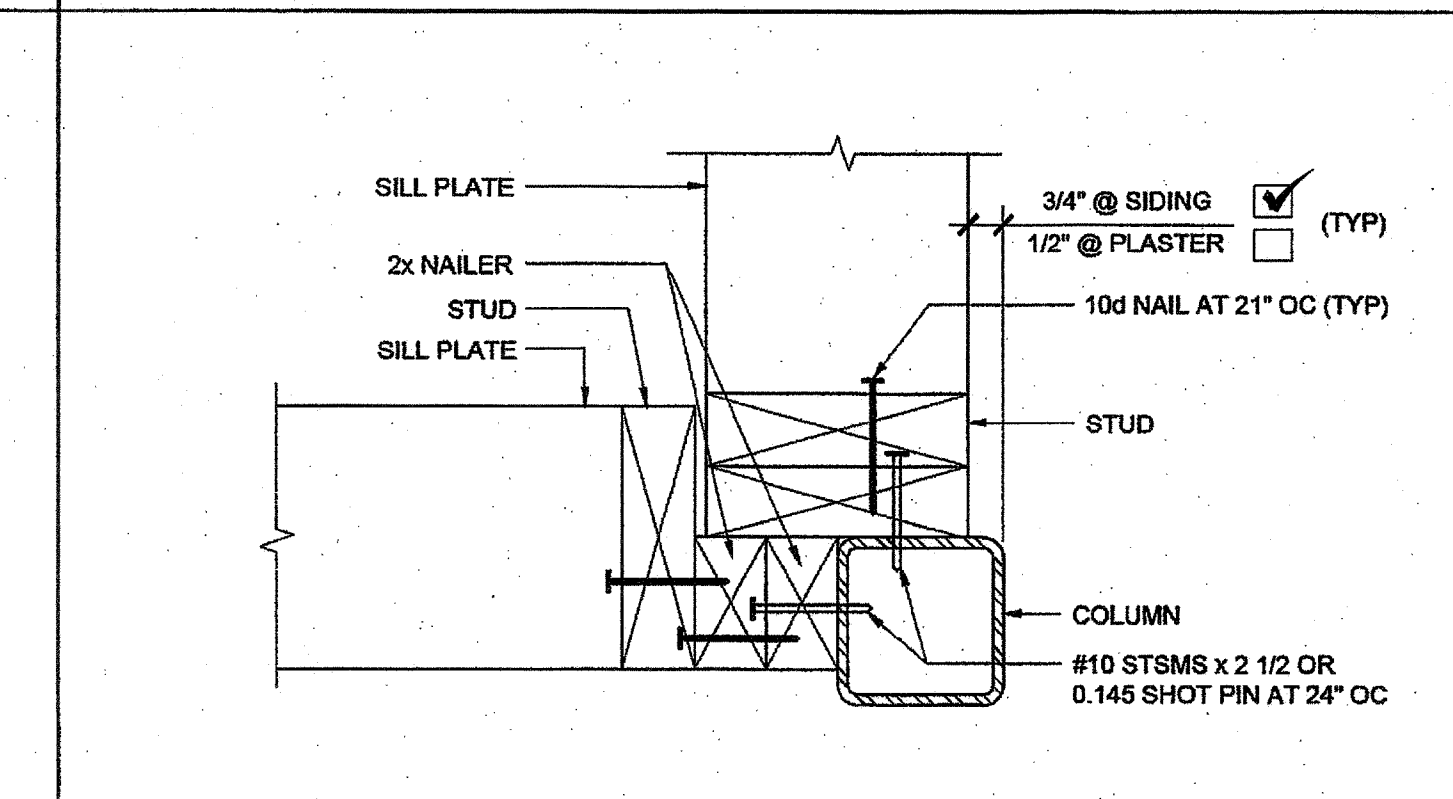
WALL SILL AT CONCRETE FLOOR SCALE: 3\"/>



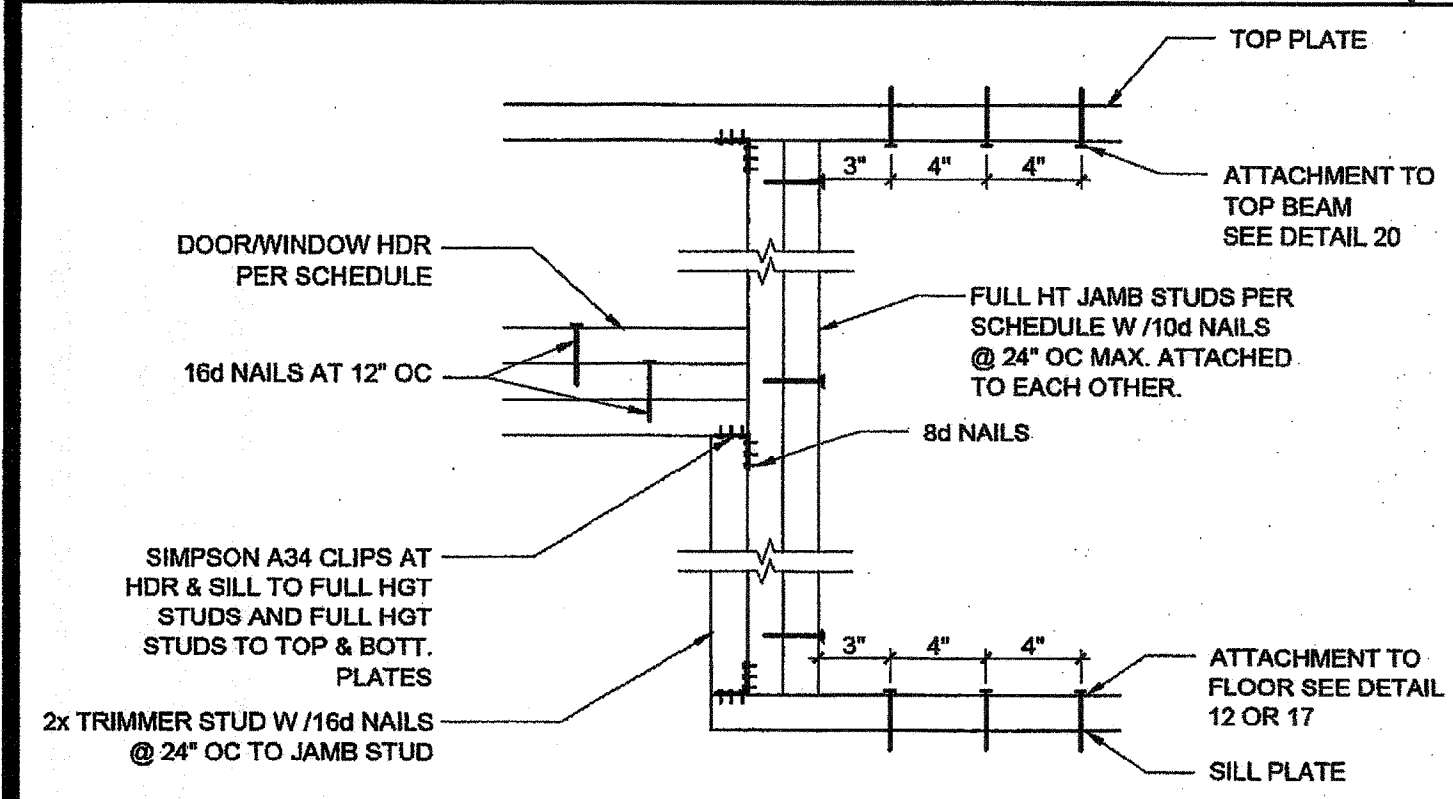
WALL SILL AT WOOD FLOOR SCALE: 3\"/>



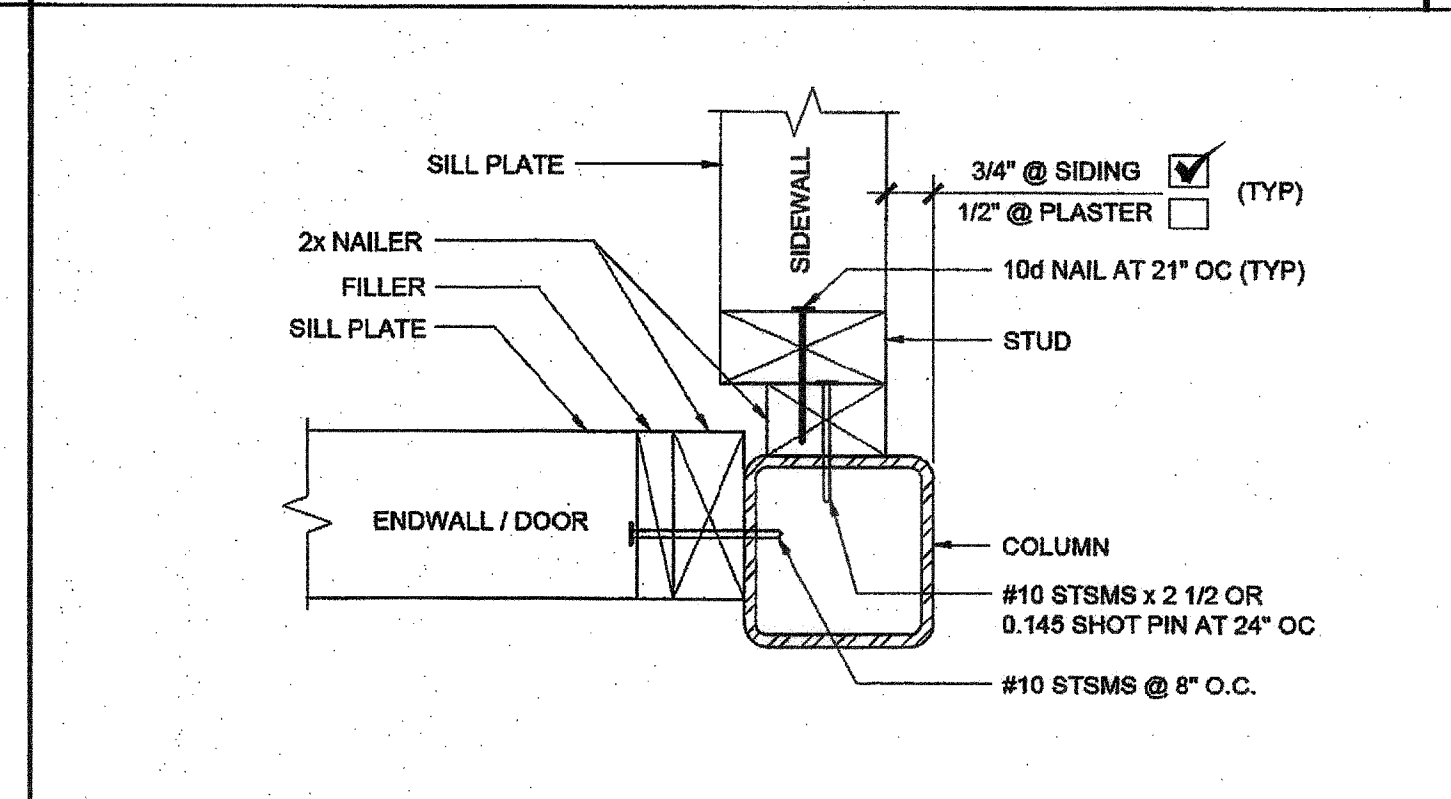
VERTICAL SHEATHING BUTT JOINT SCALE: 3\"/>



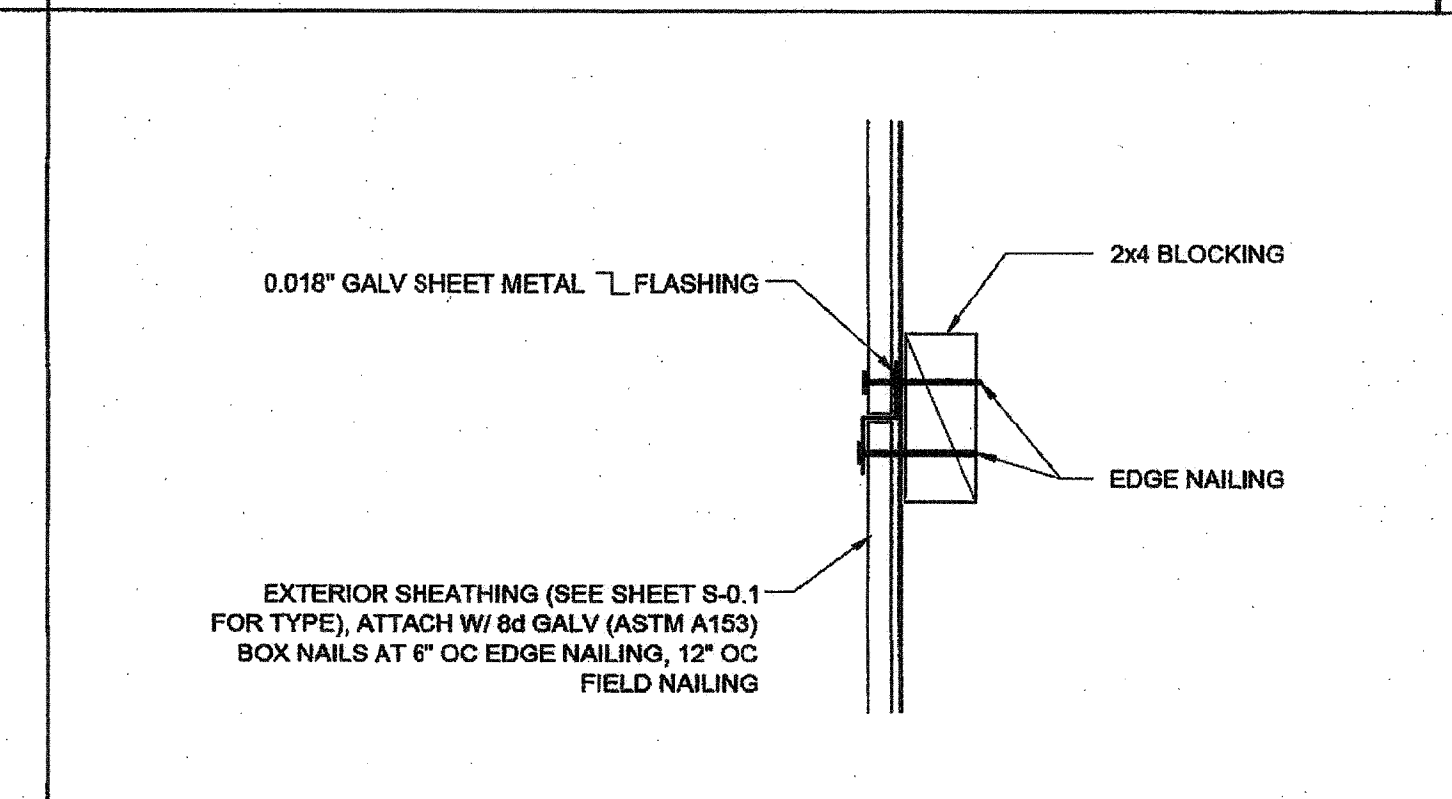
COLUMN AT ENDWALL (2x4) SCALE: 3\"/>



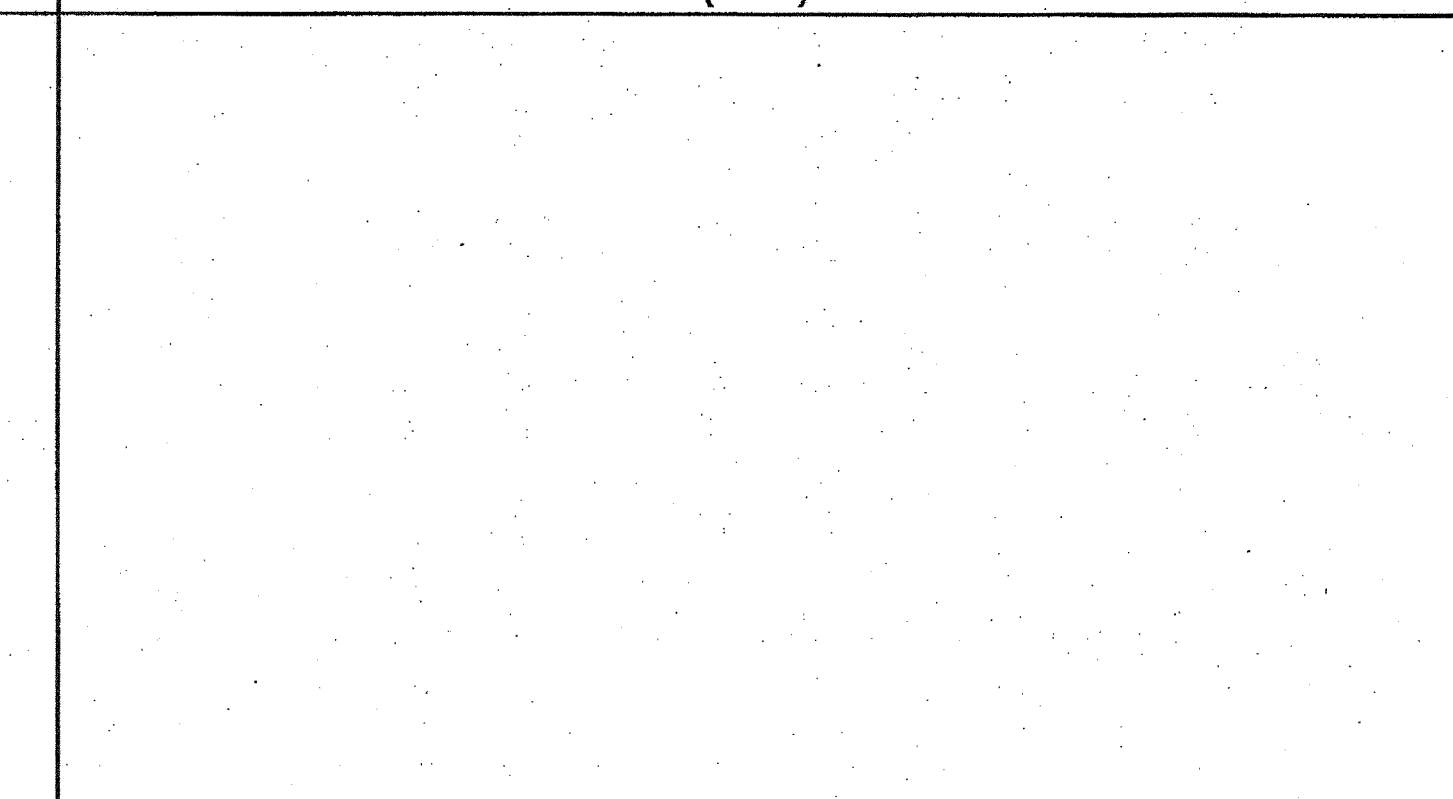
DOOR/WINDOW HEADER AND JAMB SCALE: 1 1/2\"/>



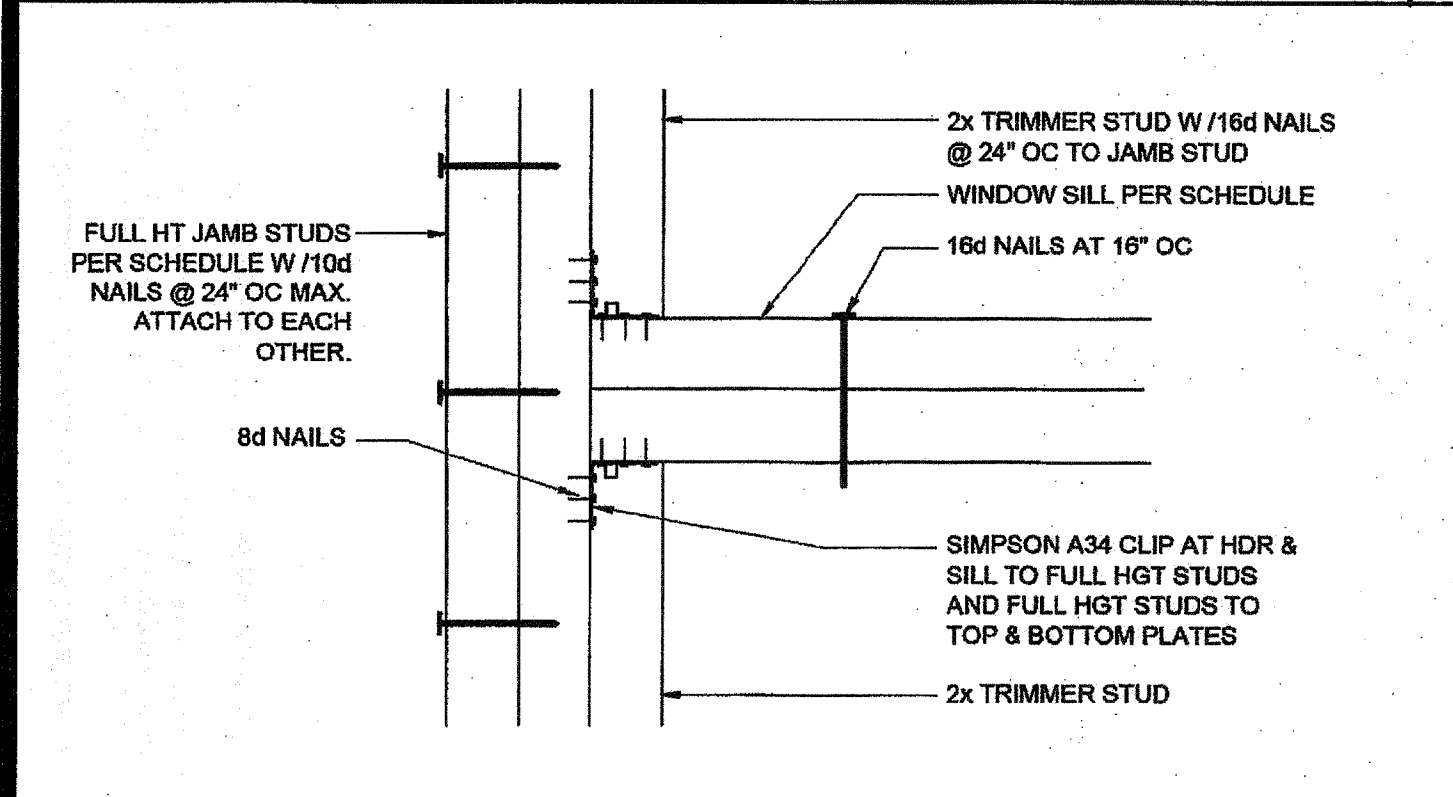
COLUMN AT ENDWALL (2x4) SCALE: 3\"/>



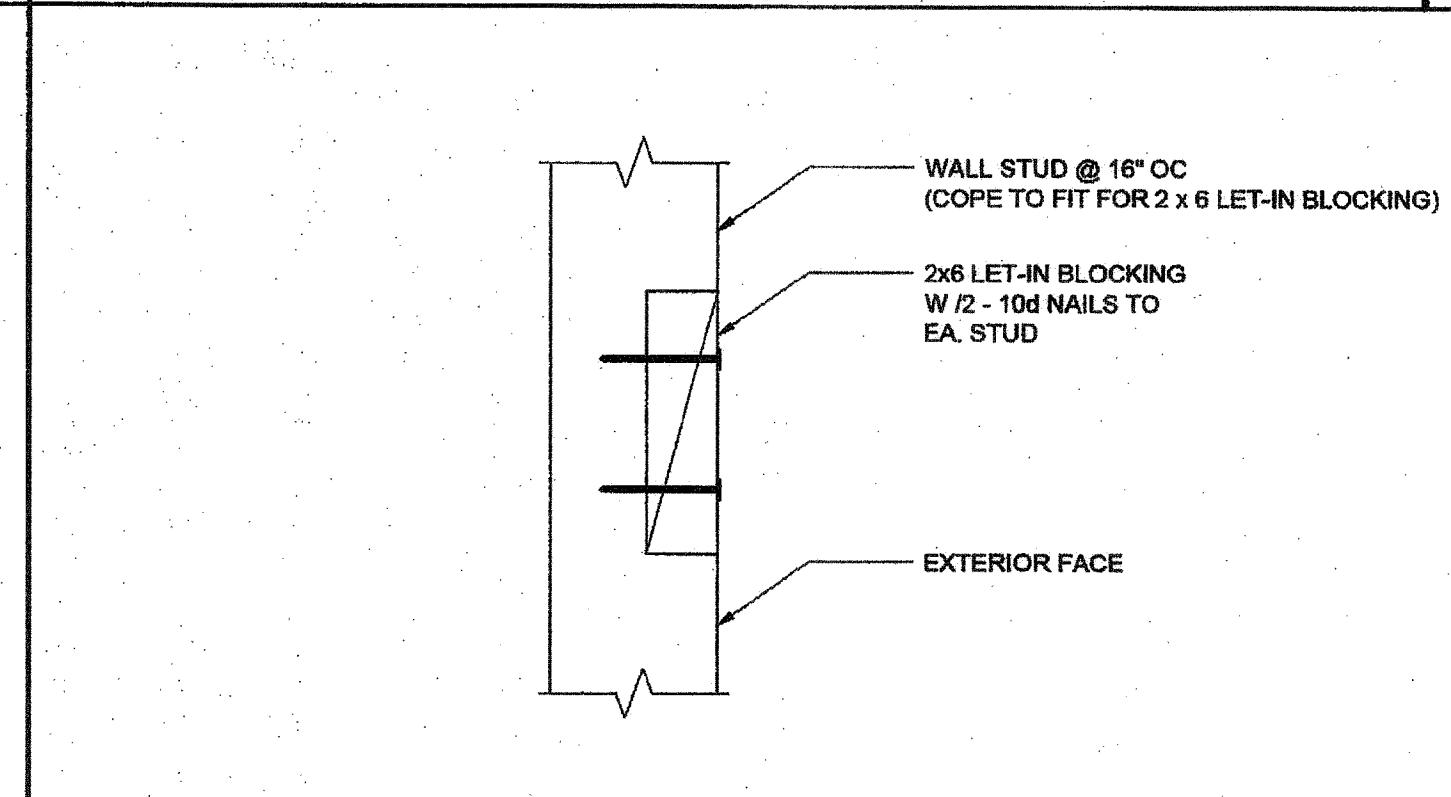
HORIZONTAL SHEATHING JOINT SCALE: 3\"/>



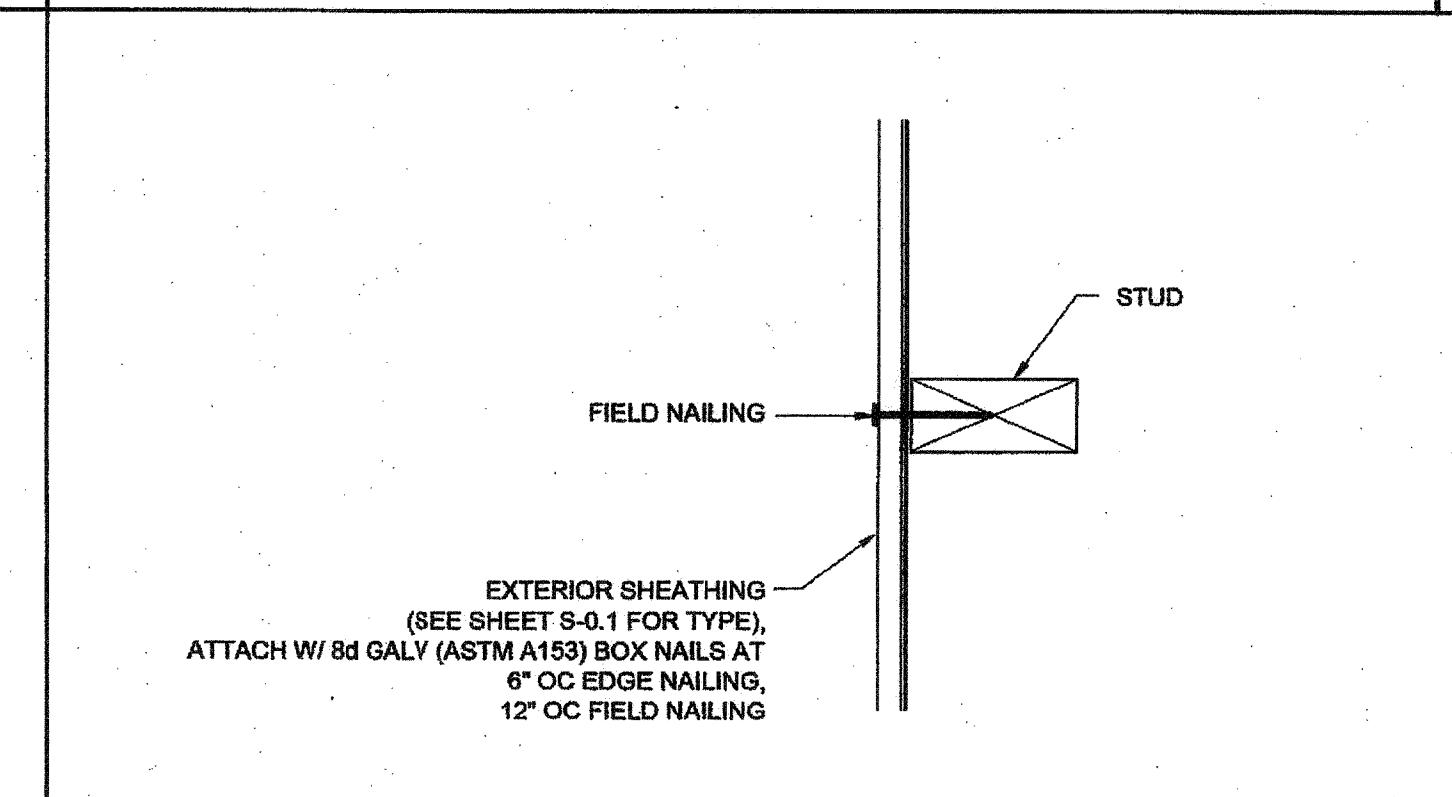
SECTION AT SHEATHING TO STUD ATTACHMENT SCALE: 3\"/>



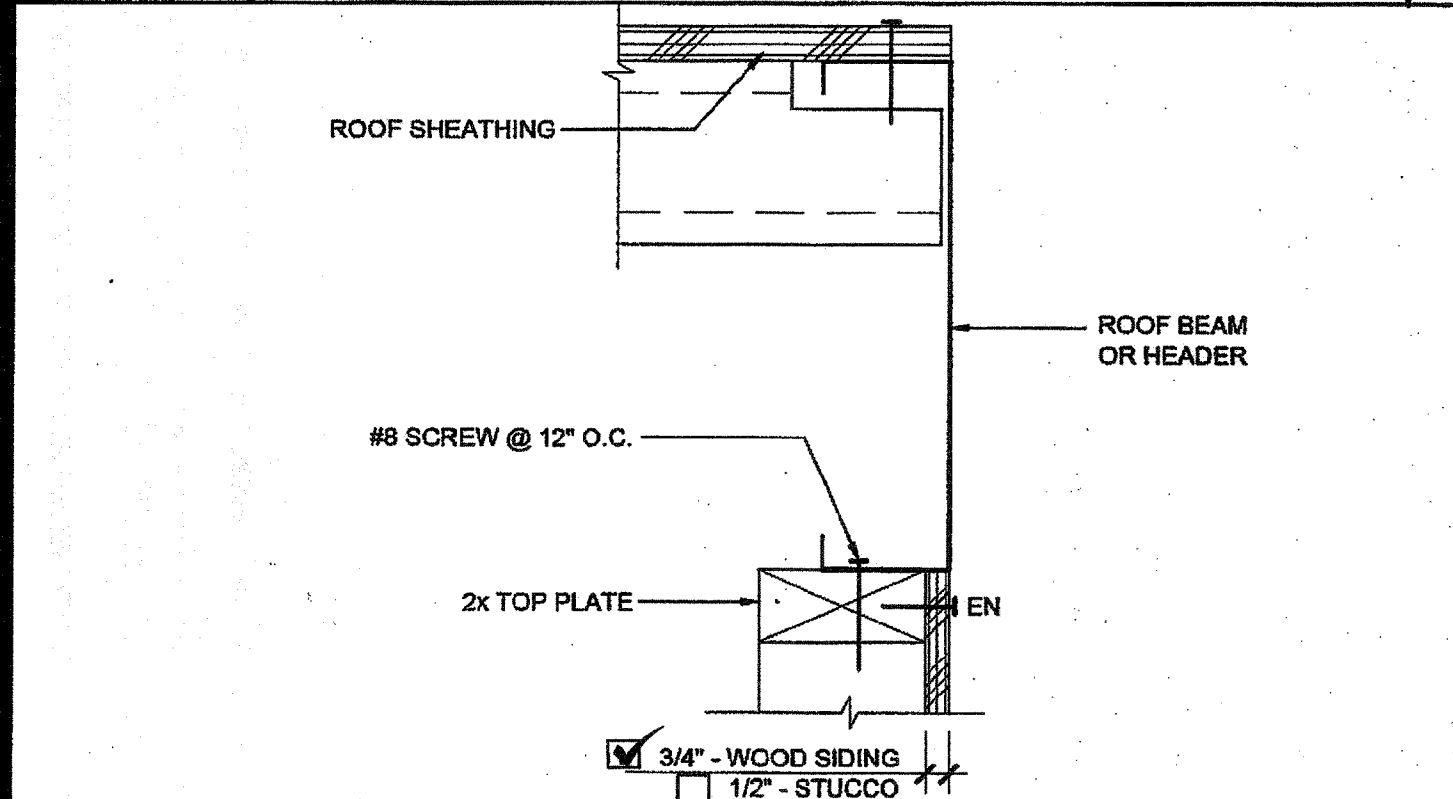
WINDOW SILL AND JAMB SCALE: 3\"/>



LET-IN BLOCK ATTACHMENT SCALE: 3\"/>



SECTION AT SHEATHING TO STUD ATTACHMENT SCALE: 3\"/>

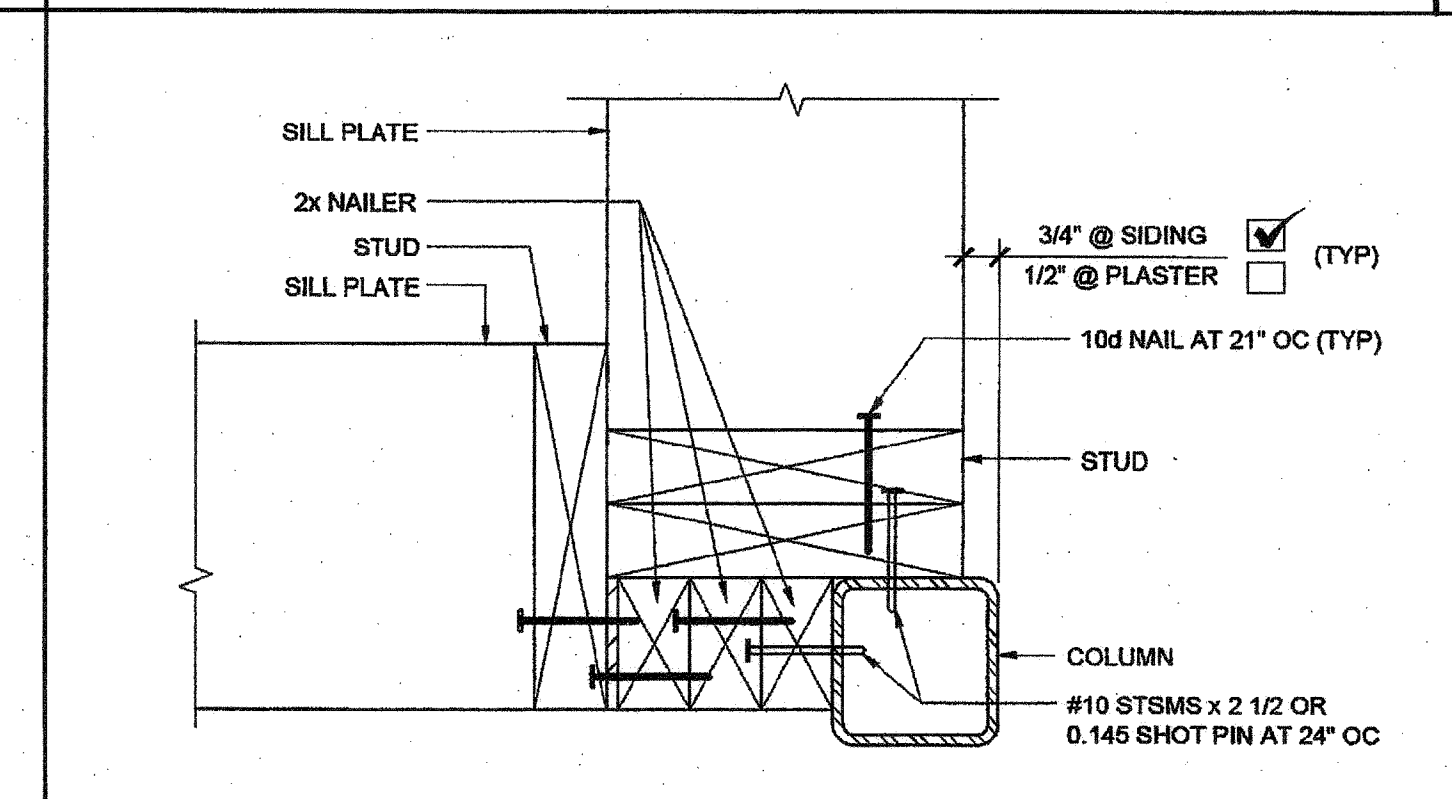


TOP PLATE AT ROOF BEAM SCALE: 3\"/>

ROUGH OPENING SCHEDULE

DOOR	WINDOW	STANDARD	WELDED FRAME
2070	26"	85"	28 1/4" 86 1/4"
3070	38"	85"	40 1/4" 86 1/4"
4070	50"	85"	52 1/4" 86 1/4"
6070	74"	85"	76 1/4" 86 1/4"
4040	47 3/4"	47 5/8"	52 1/4" 52 1/4"
6040	71 3/4"	47 5/8"	76 1/4" 52 1/4"
8040	95 3/4"	47 5/8"	100 1/4" 52 1/4"
6020	71 3/4"	23 5/8"	76 1/4" 28 1/4"
8020	95 3/4"	23 5/8"	100 1/4" 28 1/4"

ROUGH OPENING SCHEDULE SCALE: 3\"/>



COLUMN AT ENDWALL (2x8) SCALE: 3\"/>

THESE DRAWINGS AND ALL MATERIAL CONTAINED HEREIN ARE THE PROPERTY OF SILVERCREEK INDUSTRIES, INC (SCI) AND SHALL NOT BE REPRODUCED, COPIED OR OTHERWISE DISPOSED OF DIRECTLY OR INDIRECTLY AND SHALL NOT BE USED IN WHOLE OR IN PART TO ASSIST IN THE MAKING OF OR FOR THE PURPOSE OF FURNISHING ANY INFORMATION FOR THE MAKING OF DRAWINGS, PRINTS, APPARATUS OR PARTS THEREOF WITHOUT THE FULL KNOWLEDGE AND WRITTEN CONSENT OF SCI Inc. ALL PATENTABLE MATERIAL CONTAINED HEREIN AND ORIGINATING WITH SCI Inc SHALL BE THE PROPERTY OF SCI Inc.

SILVER CREEK INDUSTRIES, INC.

"BUILDING FOR THE NEXT GENERATION"

**SILVER CREEK**

2830 BARRETT AVE PERRIS, CALIFORNIA 92571  
PHONE: 951-943-5393 FAX: 951-943-2211

PROJECT NAME:  
**24x40 STOCKPILE OFFICE BUILDING**

SHEET TITLE:  
**WALL FRAMING DETAILS WOOD STUDS**

ARCHITECT OF RECORD SUBMISSION DATE

FILE # 15-5

IDENTIFICATION STAMP  
DIV. OF THE STATE ARCHITECT  
OFFICE OF REGULATION SERVICES

03-118270

AC. FLS. SS. CL

DATE NOV - 8 2017

TRACKING # 63321-290

PROJECT SPECIFIC STATE AGENCY APPROVAL

IDENTIFICATION STAMP  
DIV. OF THE STATE ARCHITECT

04 118284

ACS FLS SS RFP

DATE MAY 18 2017

ORIGINAL PC-STATE AGENCY APPROVAL

PRE-CHECK (PC) DOCUMENT  
A SEPARATE PRE-CHECK IS REQUIRED FOR CONSTRUCTION

IDENTIFICATION STAMP  
DIV. OF THE STATE ARCHITECT  
OFFICE OF REGULATION SERVICES

PC 04-114102

AC. FLS. SS. RFP

DATE AUG - 4 2015

REVISIONS


SILVER CREEK INDUSTRIES  
24' x 40' PC - 2:12 PITCH

PROJECT NO:  
DRAWN BY:  
SCALE: AS NOTED  
DATE: 01-30-15  
P.C. SHEET NUMBER

**S-5.10**