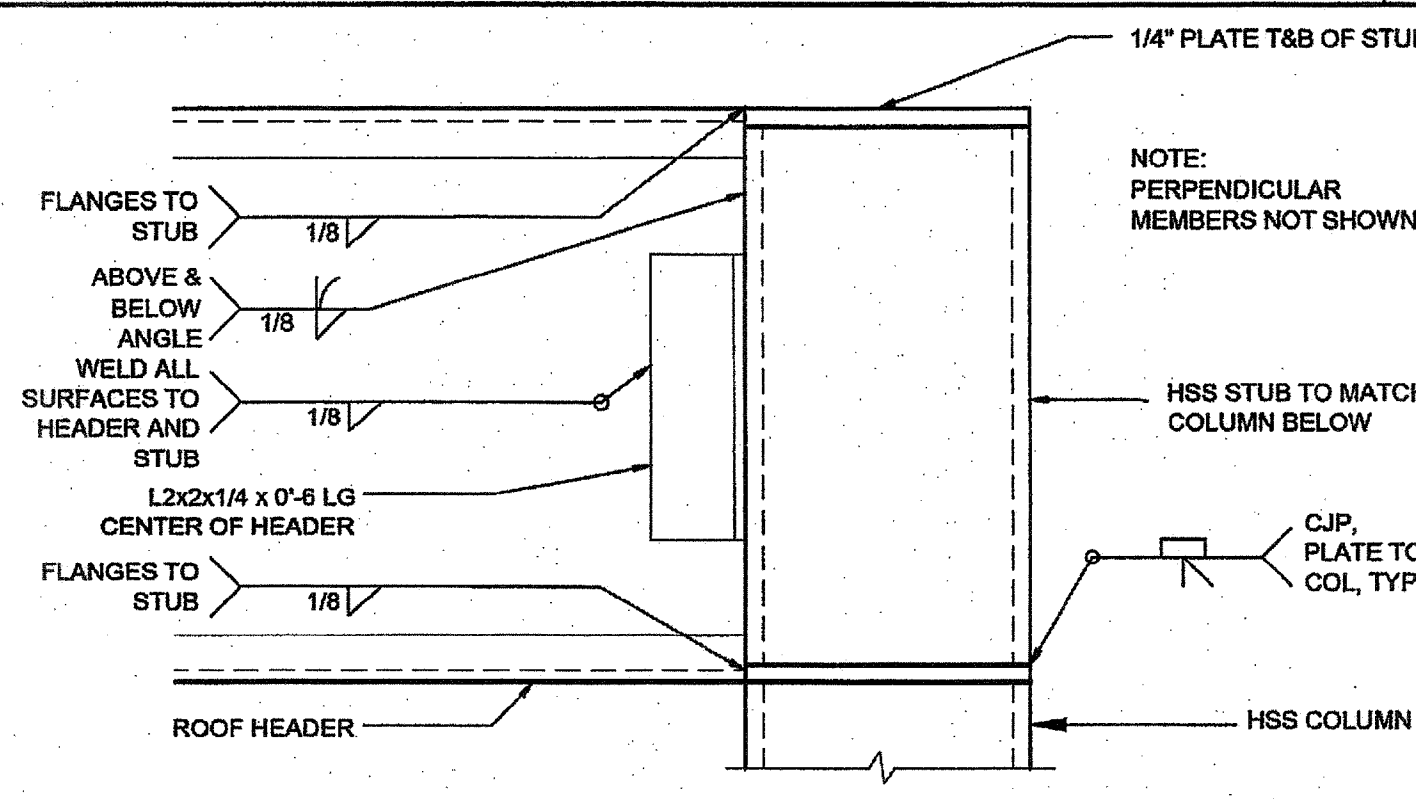
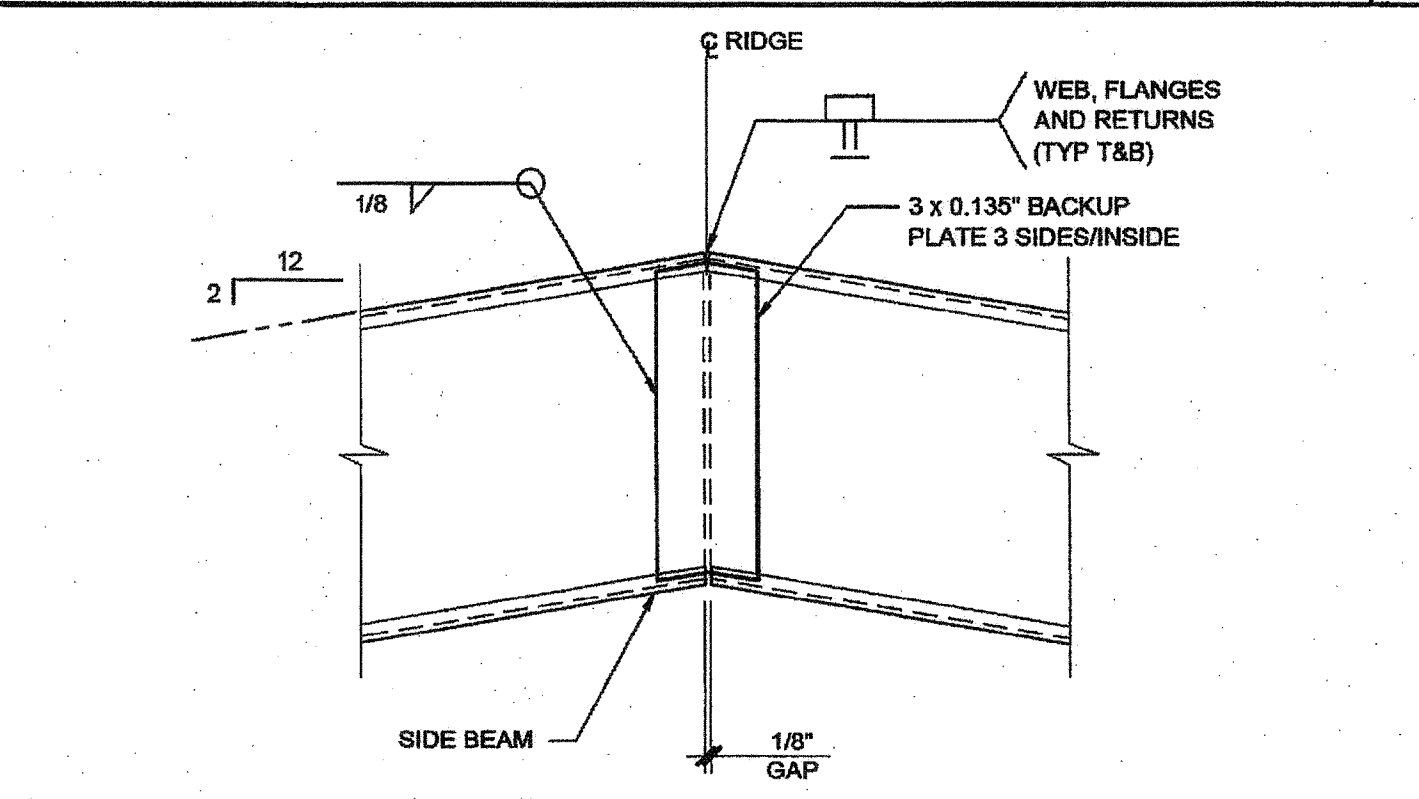
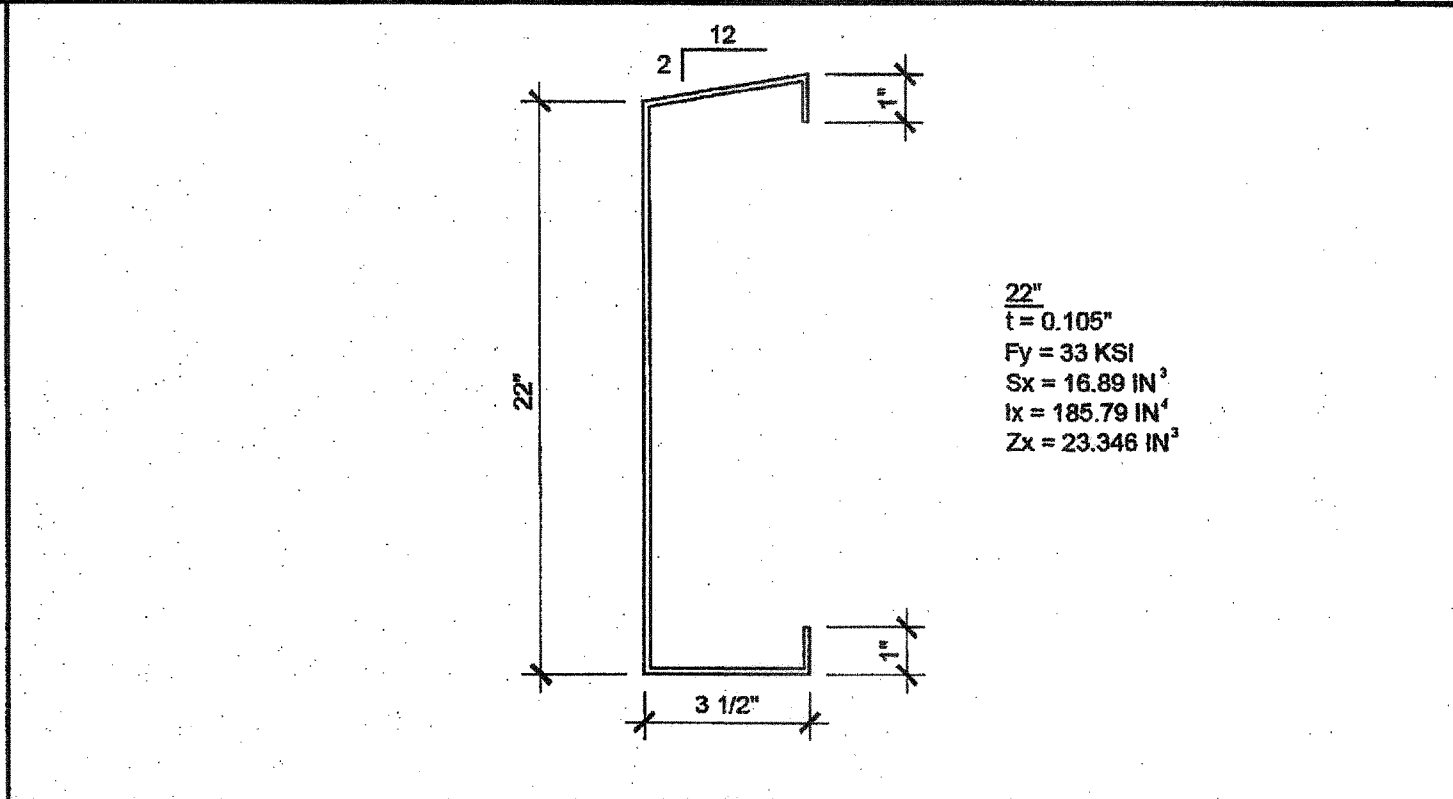
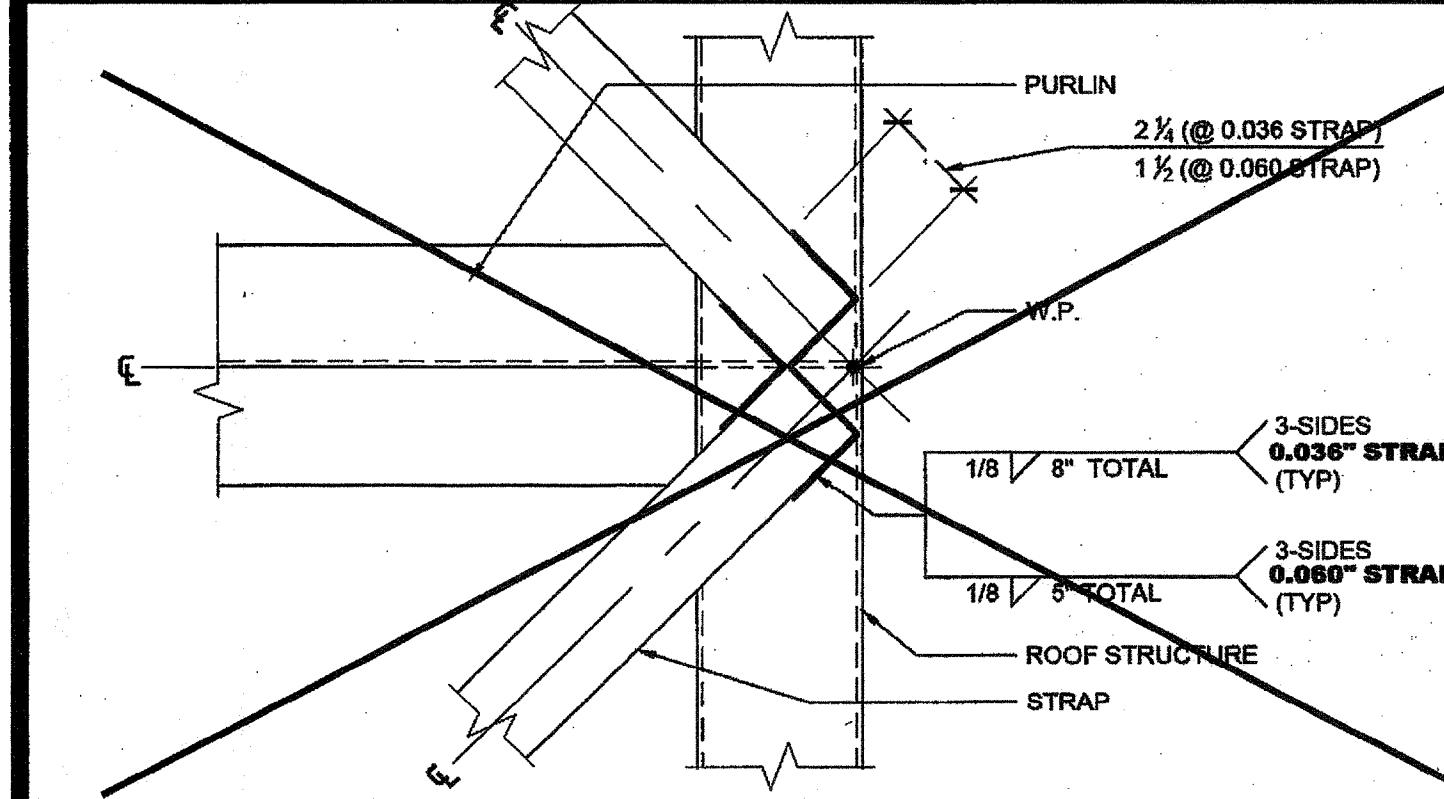


ROOF BRACING STRAP @ END WALL SCALE: 3"=1'-0" 16

ROOF PURLIN SCALE: 6"=1'-0" 11

TYPICAL PURLIN CONNECTION DETAIL SCALE: 3"=1'-0" 6

COLUMN AT ROOF - PLAN SCALE: 3"=1'-0" 1

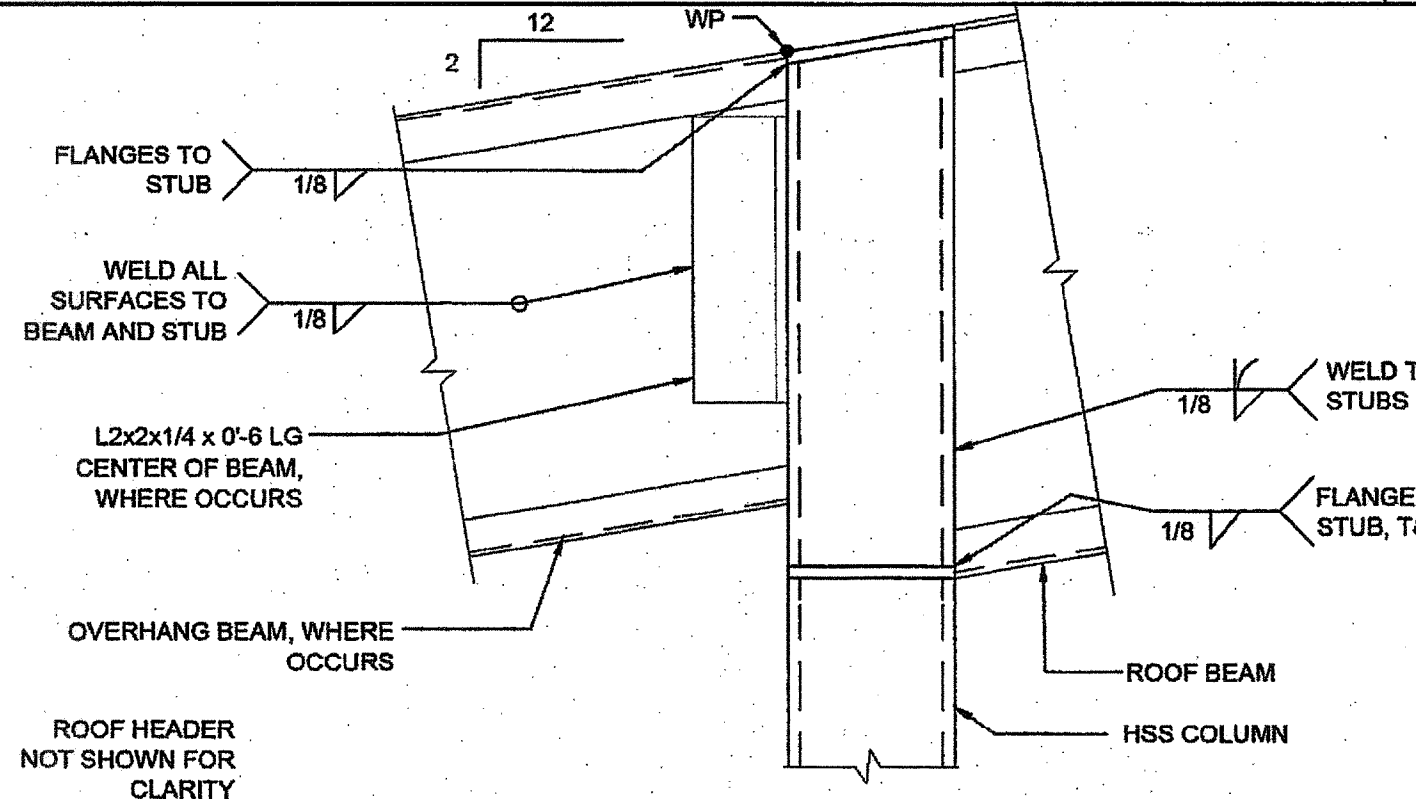
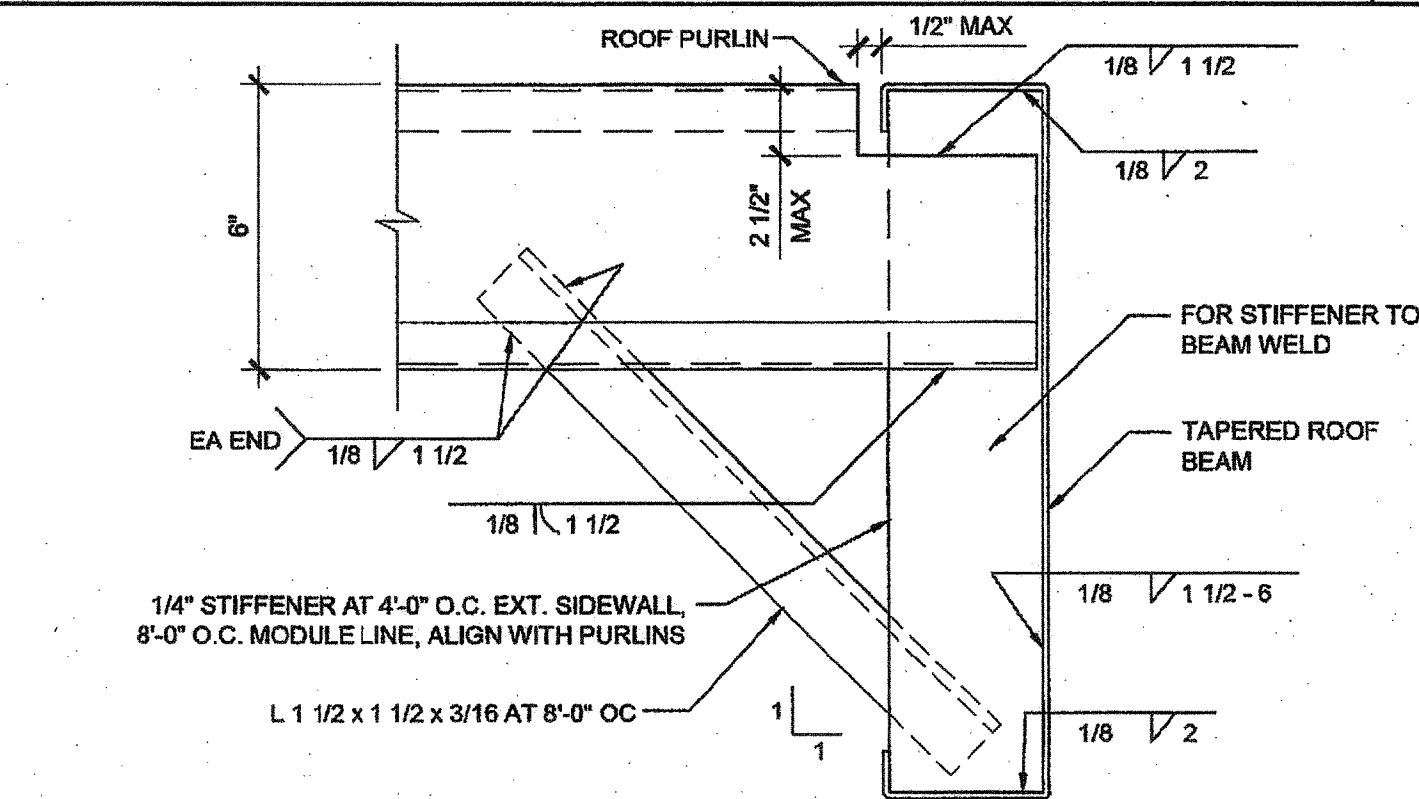
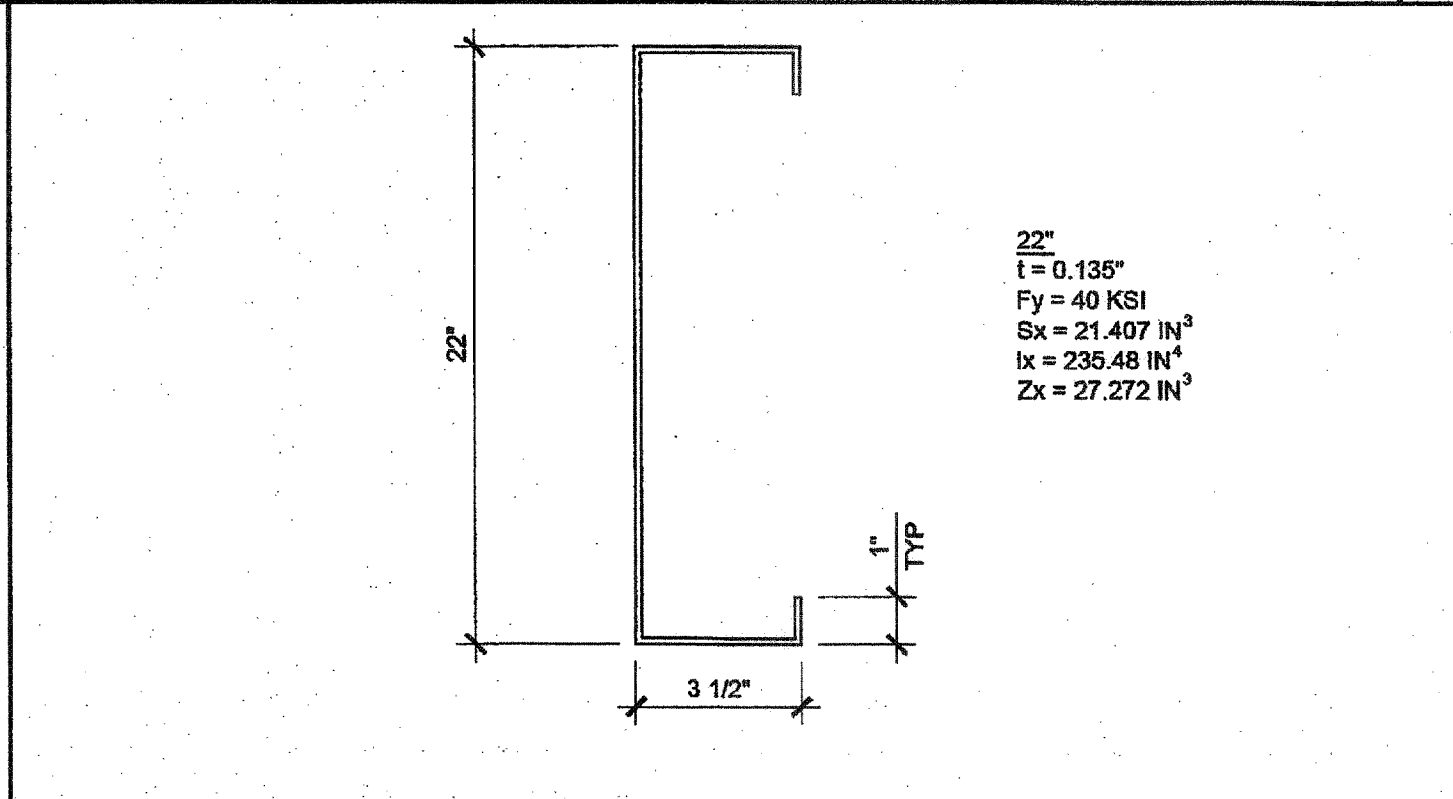
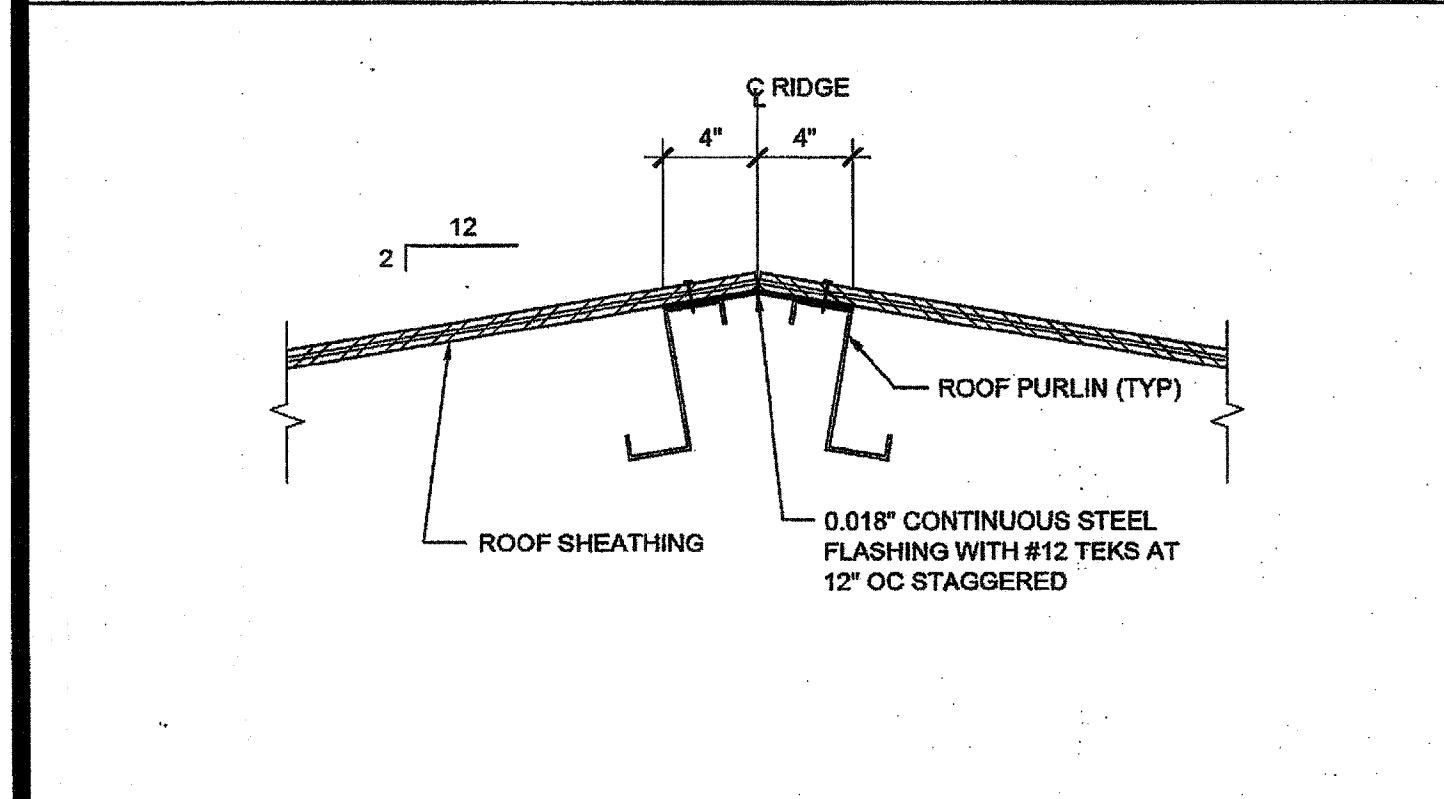


ROOF BRACING STRAP @ SIDE WALL SCALE: 3"=1'-0" 17

ROOF HEADER SCALE: NTS 12

BEAM SPLICE SCALE: 3"=1'-0" 7

COLUMN AT ROOF - SECTION SCALE: 3"=1'-0" 2

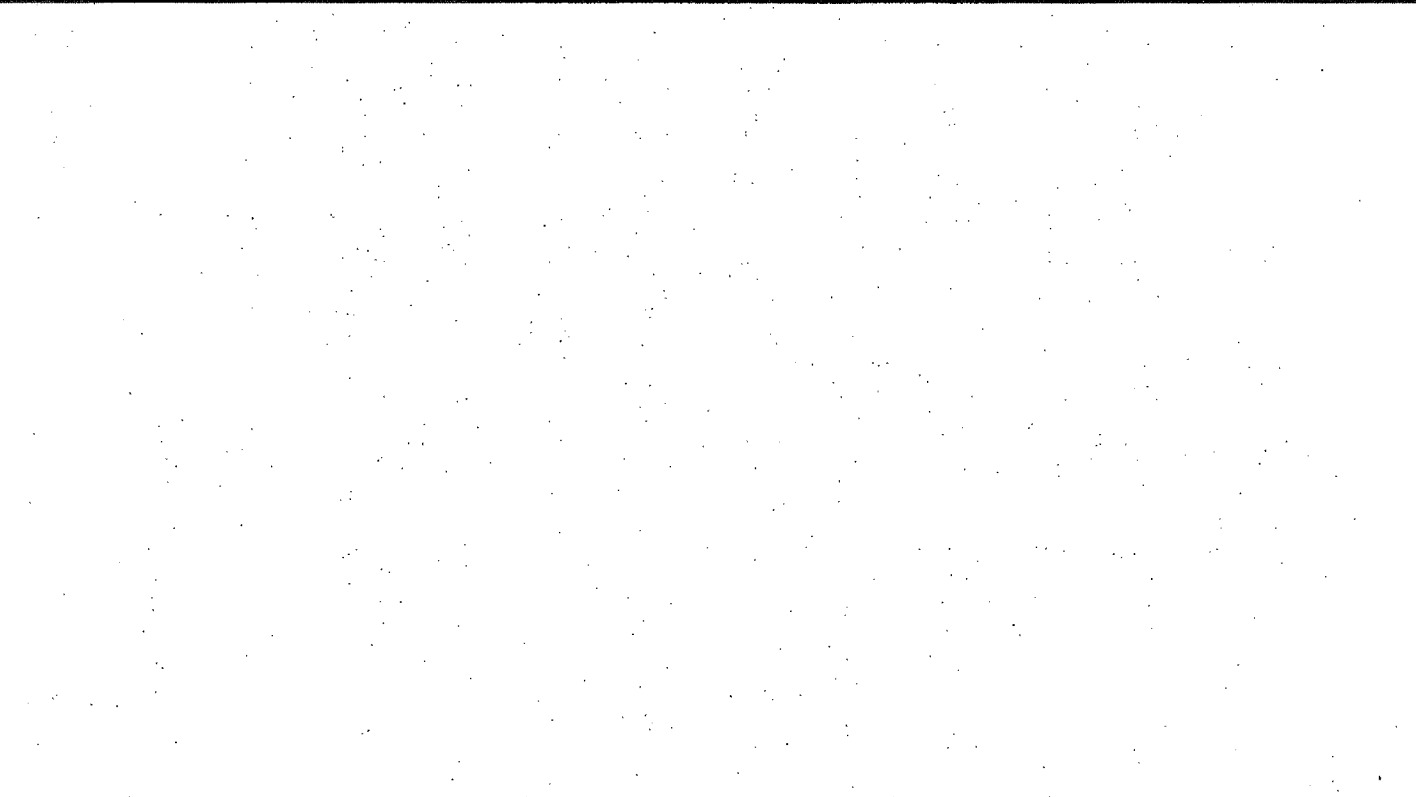
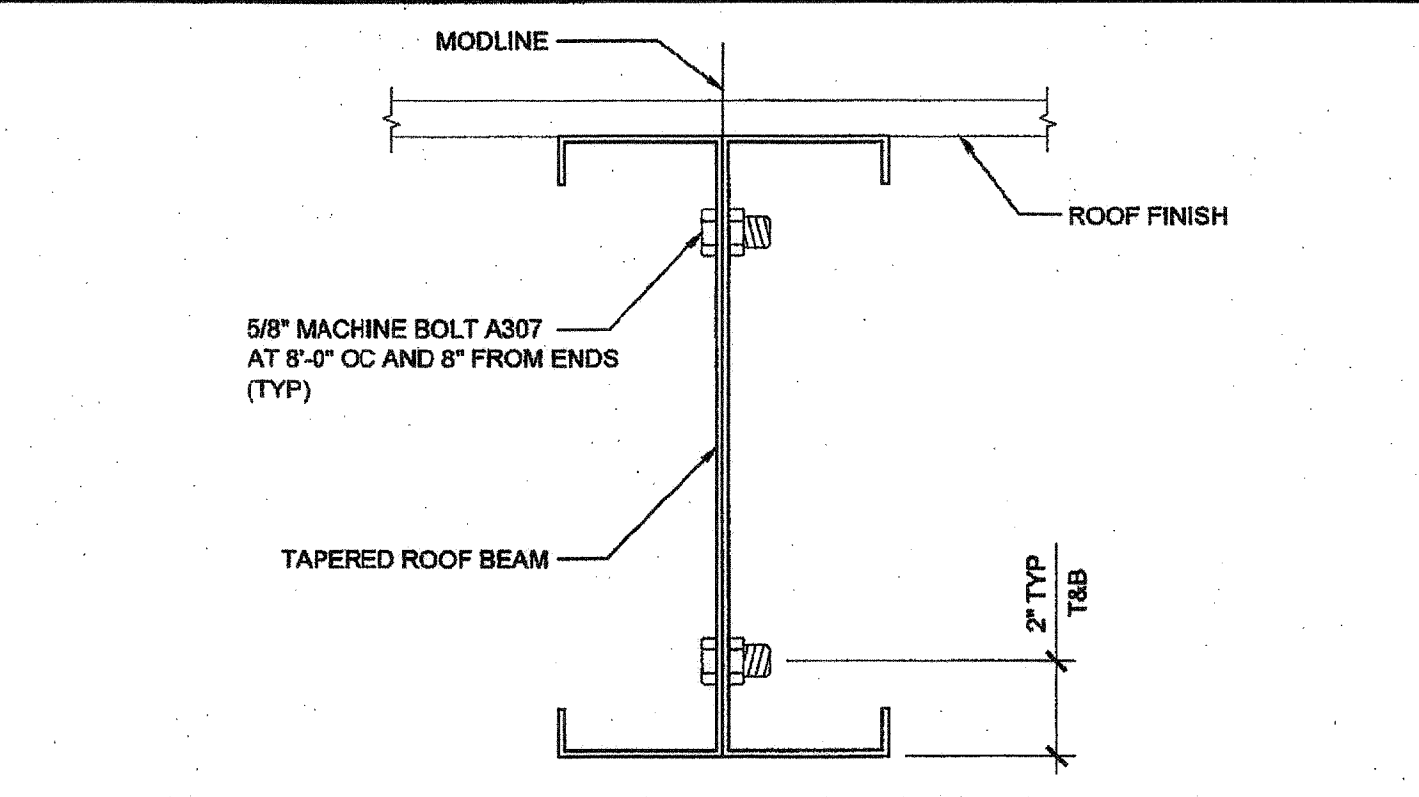
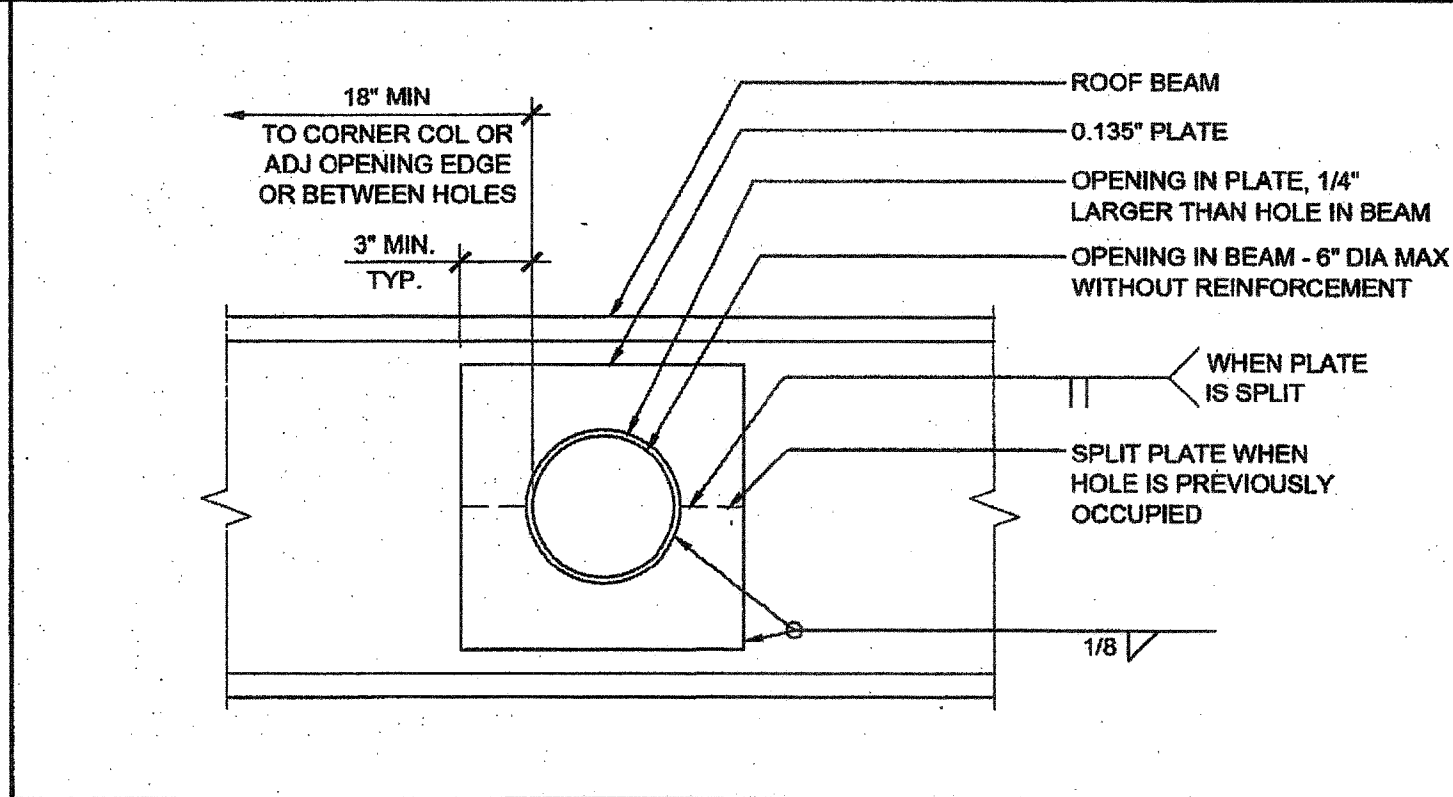
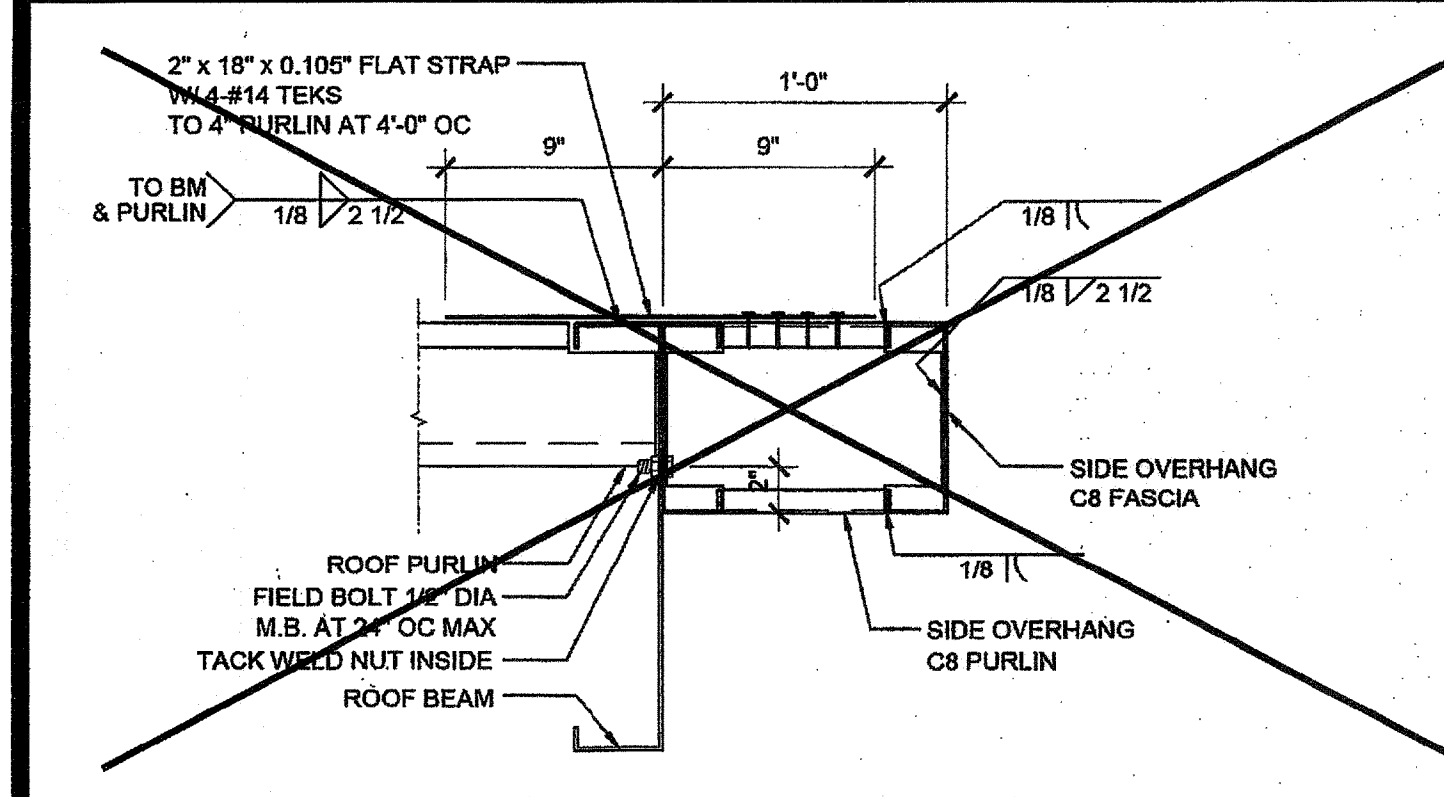


PURLINS AT RIDGE SCALE: 1 1/2"=1'-0" 18

ROOF BEAM SCALE: NTS 13

PURLIN TO ROOF BEAM @ STIFFENER SCALE: 3"=1'-0" 8

COLUMN AT ROOF OVERHANG SCALE: 3"=1'-0" 3

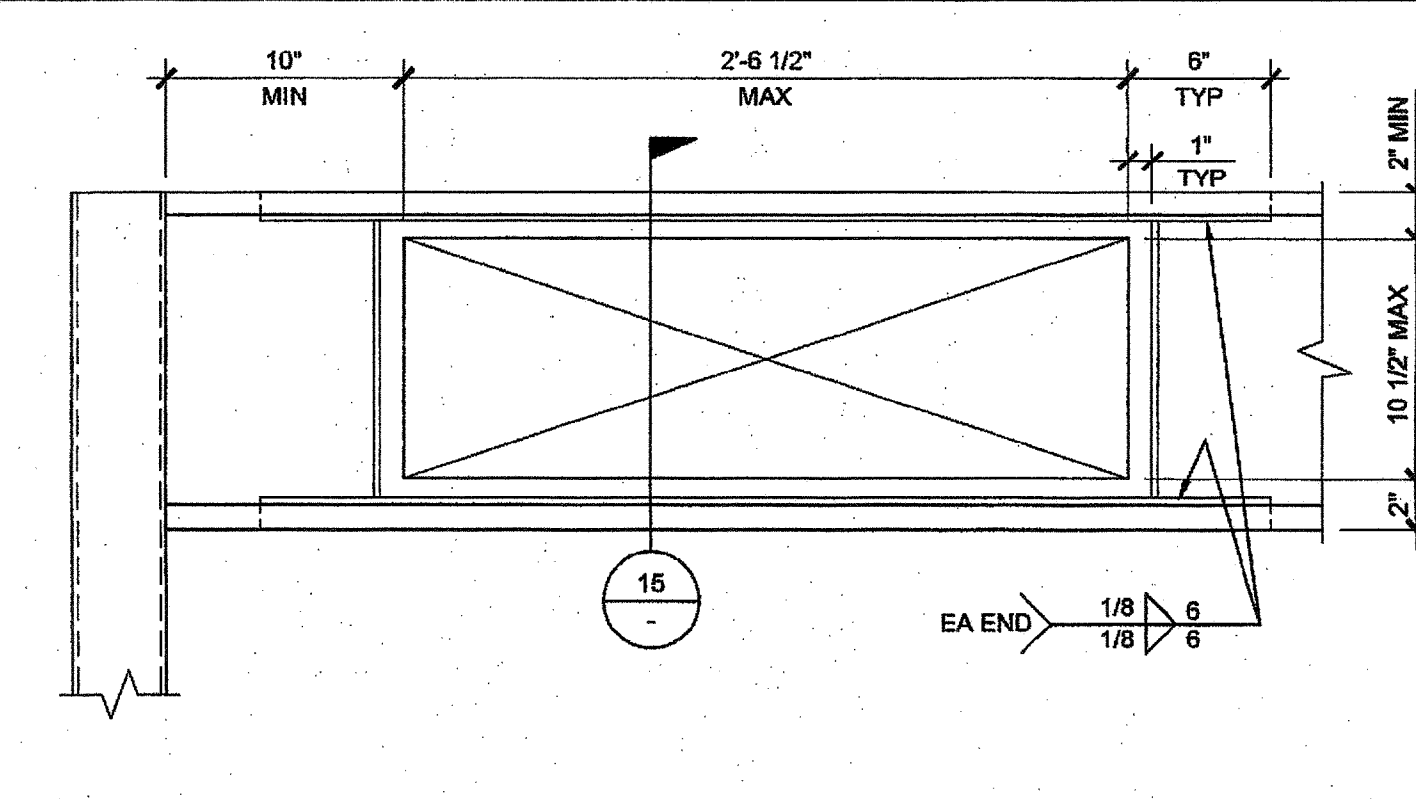
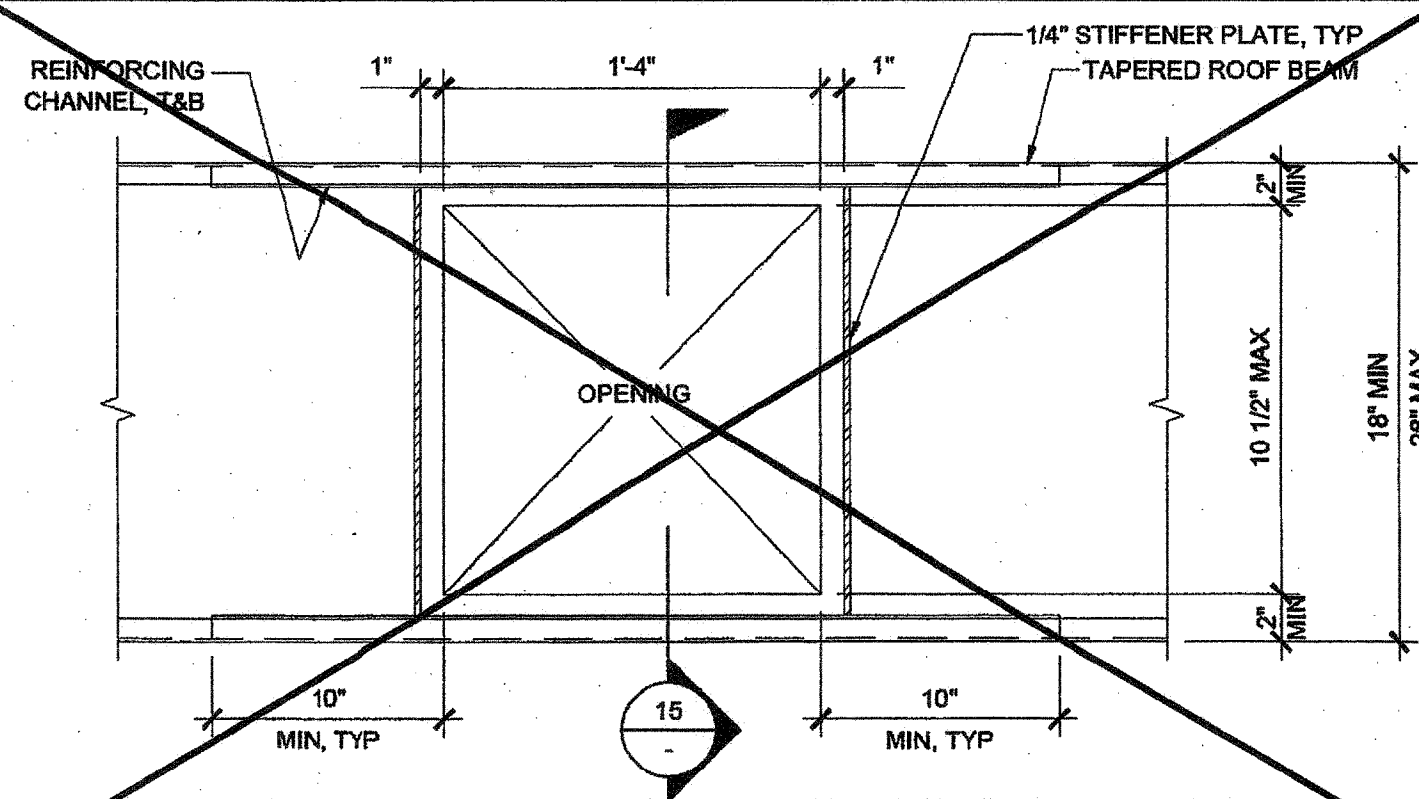
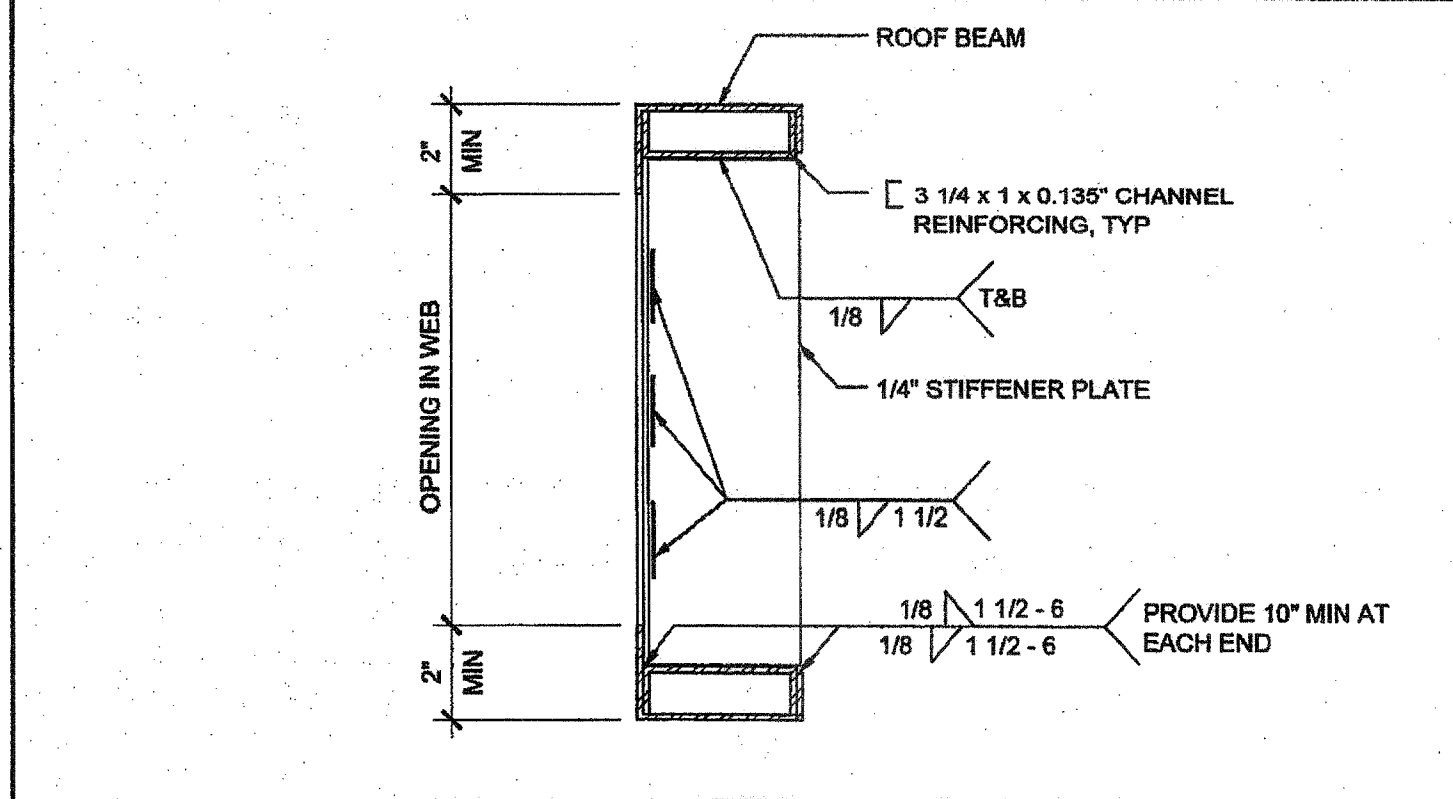
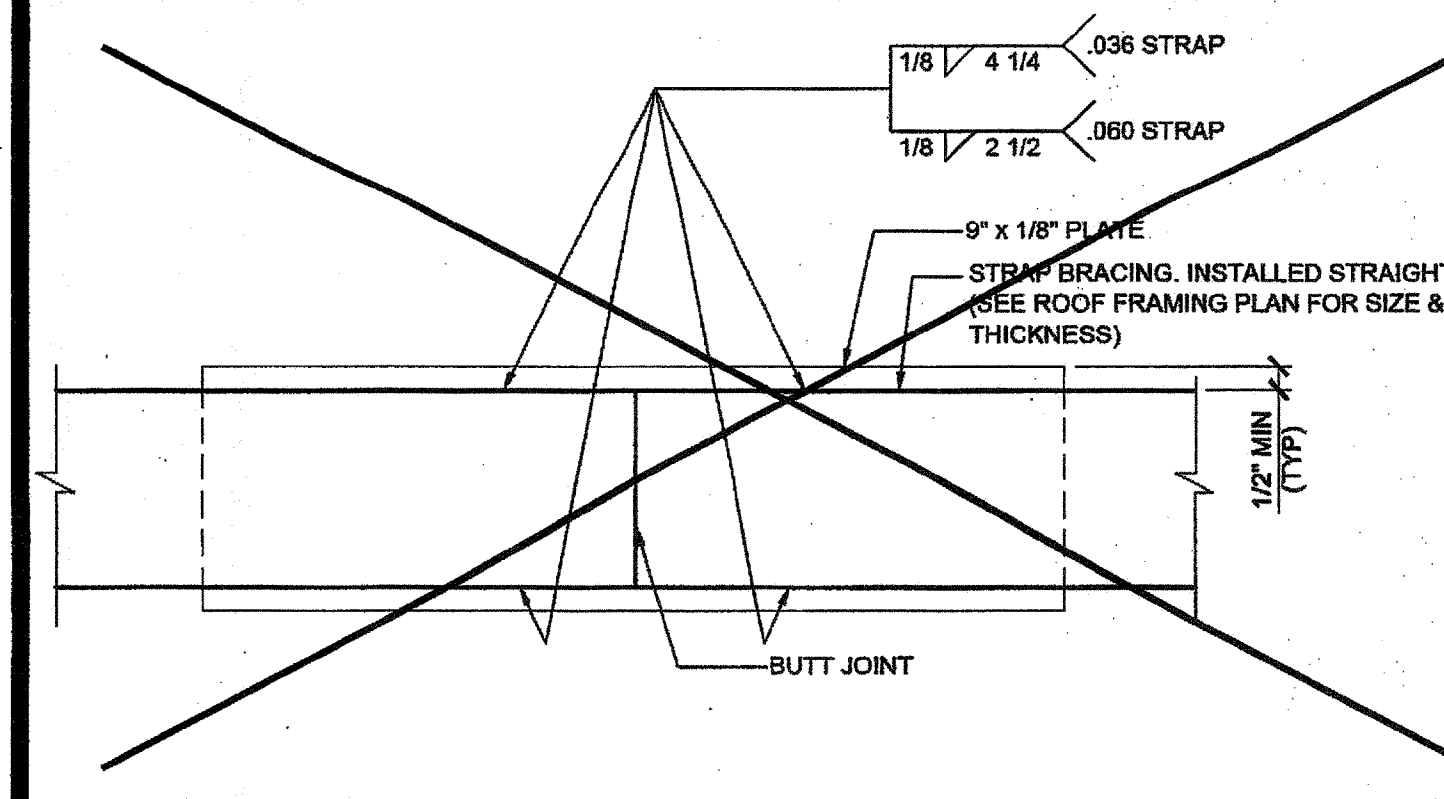


SIDE OVERHANG SCALE: 1 1/2"=1'-0" 19

SIDEWALL BEAM PENETRATION SCALE: 1 1/2"=1'-0" 14

MODULE CONNECTION AT ROOF (OPTION) SCALE: 3"=1'-0" 9

NOT USED 4



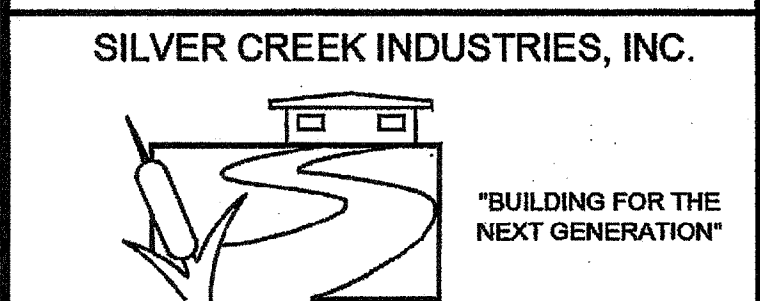
STRAP SPLICE DETAIL SCALE: 6"=1'-0" 20

WEB OPENING AT HEADER SCALE: 3"=1'-0" 15

OPENING AT ROOF BEAM (OPTION) SCALE: 1 1/2"=1'-0" 10

OPENING AT HEADER SCALE: 1 1/2"=1'-0" 5

THESE DRAWINGS AND ALL MATERIAL CONTAINED HEREIN ARE THE PROPERTY OF SILVERCREEK INDUSTRIES, INC (SCI Inc) AND SHALL NOT BE REPRODUCED, COPIED OR OTHERWISE DISPOSED OF DIRECTLY OR INDIRECTLY AND SHALL NOT BE USED IN WHOLE OR IN PART TO ASSIST IN THE MAKING OF OR FOR THE PURPOSE OF FURNISHING ANY INFORMATION FOR THE MAKING OF DRAWINGS, PRINTS, APPARATUS OR PARTS THEREOF WITHOUT THE FULL KNOWLEDGE AND WRITTEN CONSENT OF SCI Inc ALL PATENTABLE MATERIAL CONTAINED HEREIN AND ORIGINATING WITH SCI Inc SHALL BE THE PROPERTY OF SCI Inc

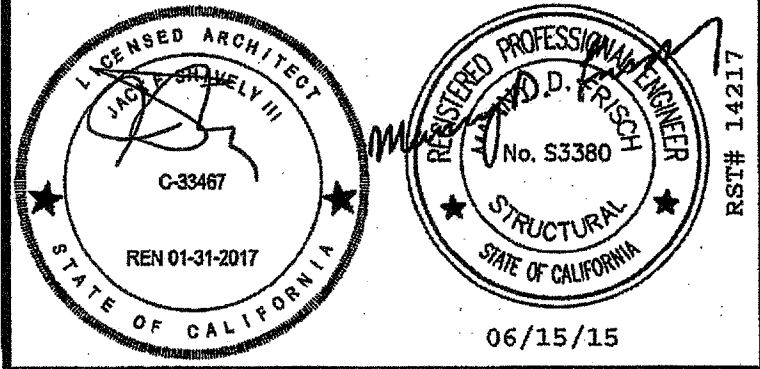


SILVER CREEK
2830 BARRETT AVE PERRIS, CALIFORNIA 92571
PHONE: 951-943-5393 FAX: 951-943-2211

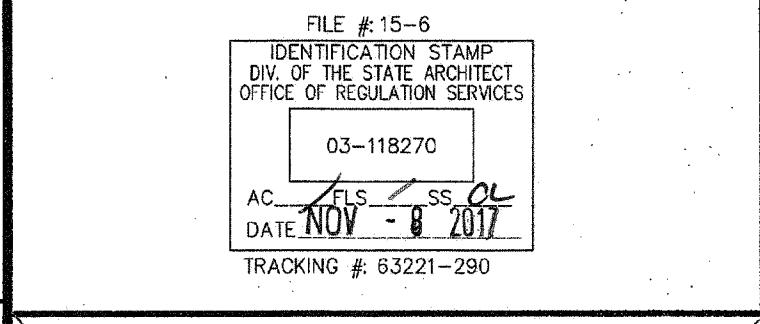
PROJECT NAME:

24x40 STOCKPILE OFFICE BUILDING

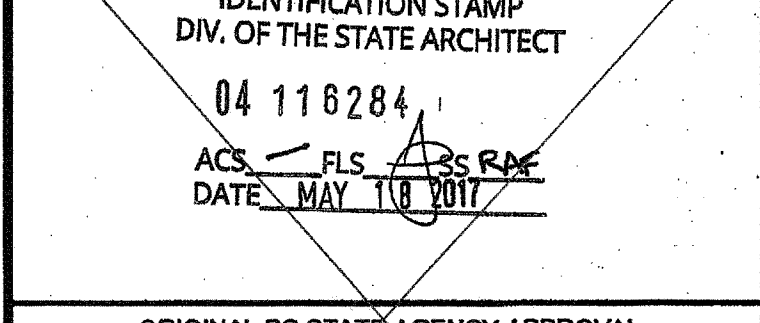
SHEET TITLE:
ROOF FRAMING DETAILS DUAL SLOPE



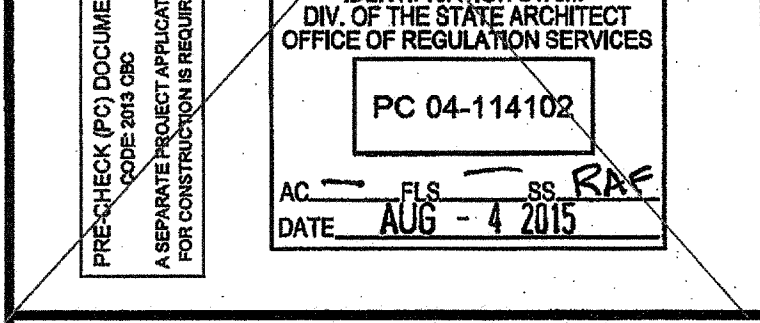
ARCHITECT OF RECORD
SUBMISSION DATE



PROJECT SPECIFIC STATE AGENCY APPROVAL



ORIGINAL PC STATE AGENCY APPROVAL



REVISIONS

| | |
|--|--|
| | |
| | |
| | |
| | |
| | |
| | |

SILVER CREEK INDUSTRIES
24' x 40' PC - 2:12 PITCH

PROJECT NO:
DRAWN BY:
SCALE: AS NOTED
DATE: 01-30-15

P.C. SHEET NUMBER
S-2.51