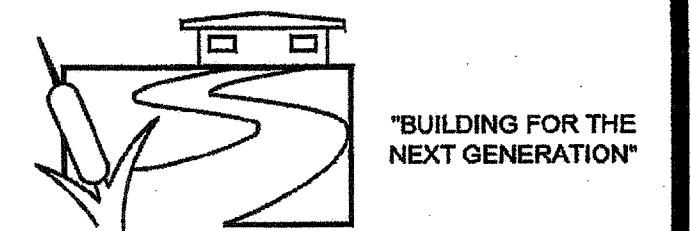


THESE DRAWINGS AND ALL MATERIAL CONTAINED HEREIN ARE THE PROPERTY OF SILVERCREEK INDUSTRIES, INC. (SCI Inc) AND SHALL NOT BE REPRODUCED, COPIED OR OTHERWISE DISPOSED OF DIRECTLY OR INDIRECTLY AND SHALL NOT BE USED IN WHOLE OR IN PART TO ASSIST IN THE MAKING OF OR FOR THE PURPOSE OF FURNISHING ANY INFORMATION FOR THE MAKING OF DRAWINGS, PRINTS, APPARATUS OR PARTS THEREOF WITHOUT THE FULL KNOWLEDGE AND WRITTEN CONSENT OF SCI Inc. ALL PATENTABLE MATERIAL CONTAINED HEREIN AND ORIGINATING WITH SCI Inc SHALL BE THE PROPERTY OF SCI Inc

SILVER CREEK INDUSTRIES, INC.

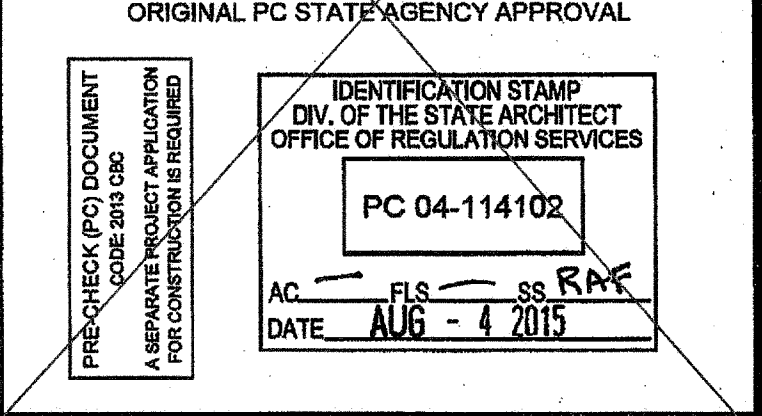
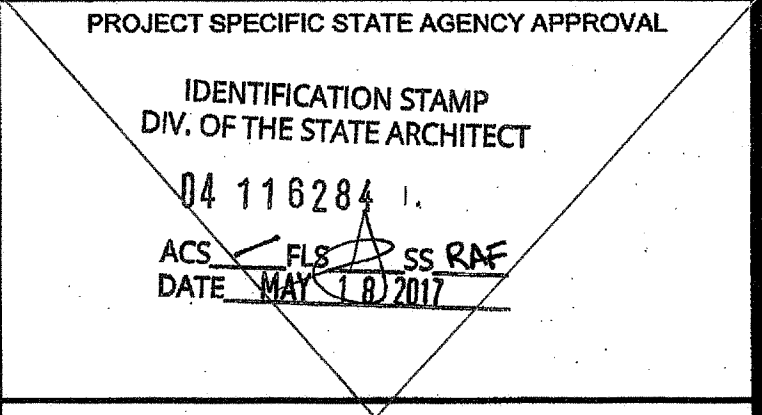
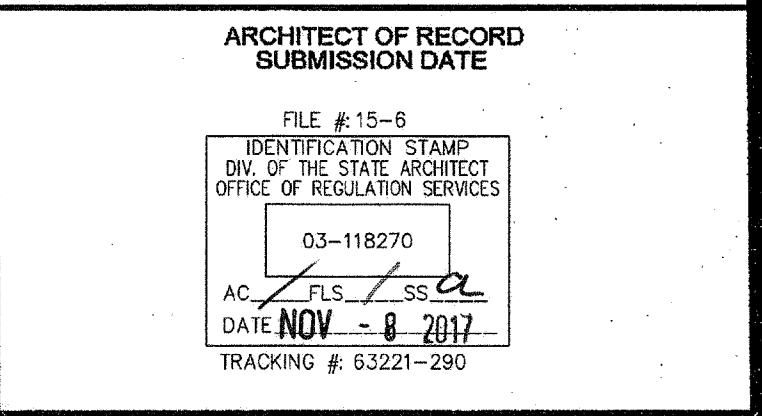
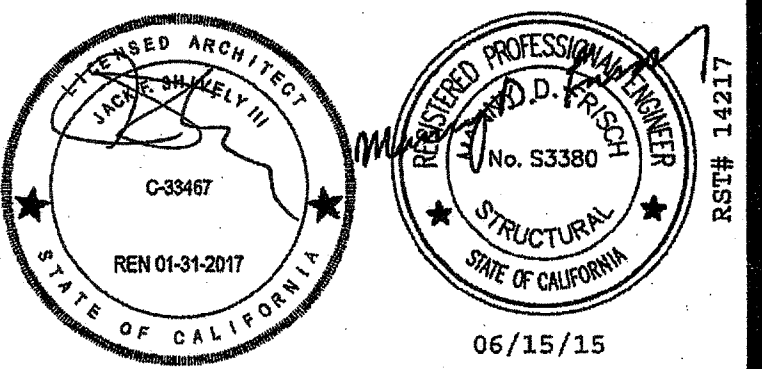
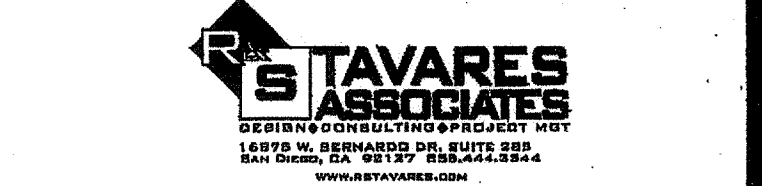


SILVER CREEK

2830 BARRETT AVE PERRIS, CALIFORNIA 92571
PHONE: 951-943-5393 FAX: 951-943-2211

PROJECT NAME:
24x40 STOCKPILE OFFICE BUILDING

SHEET TITLE:
**FLOOR FRAMING DETAILS
WOOD FLOOR**

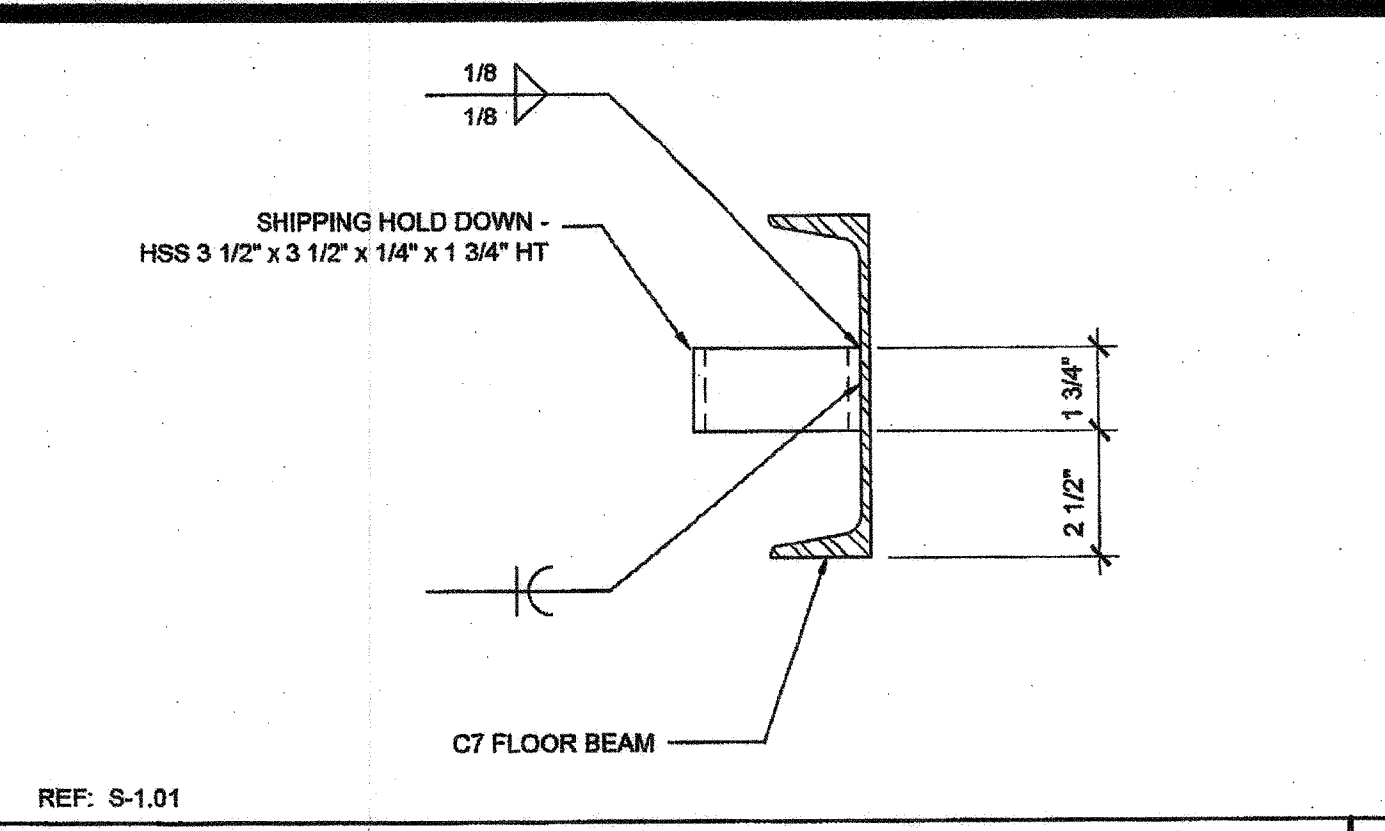
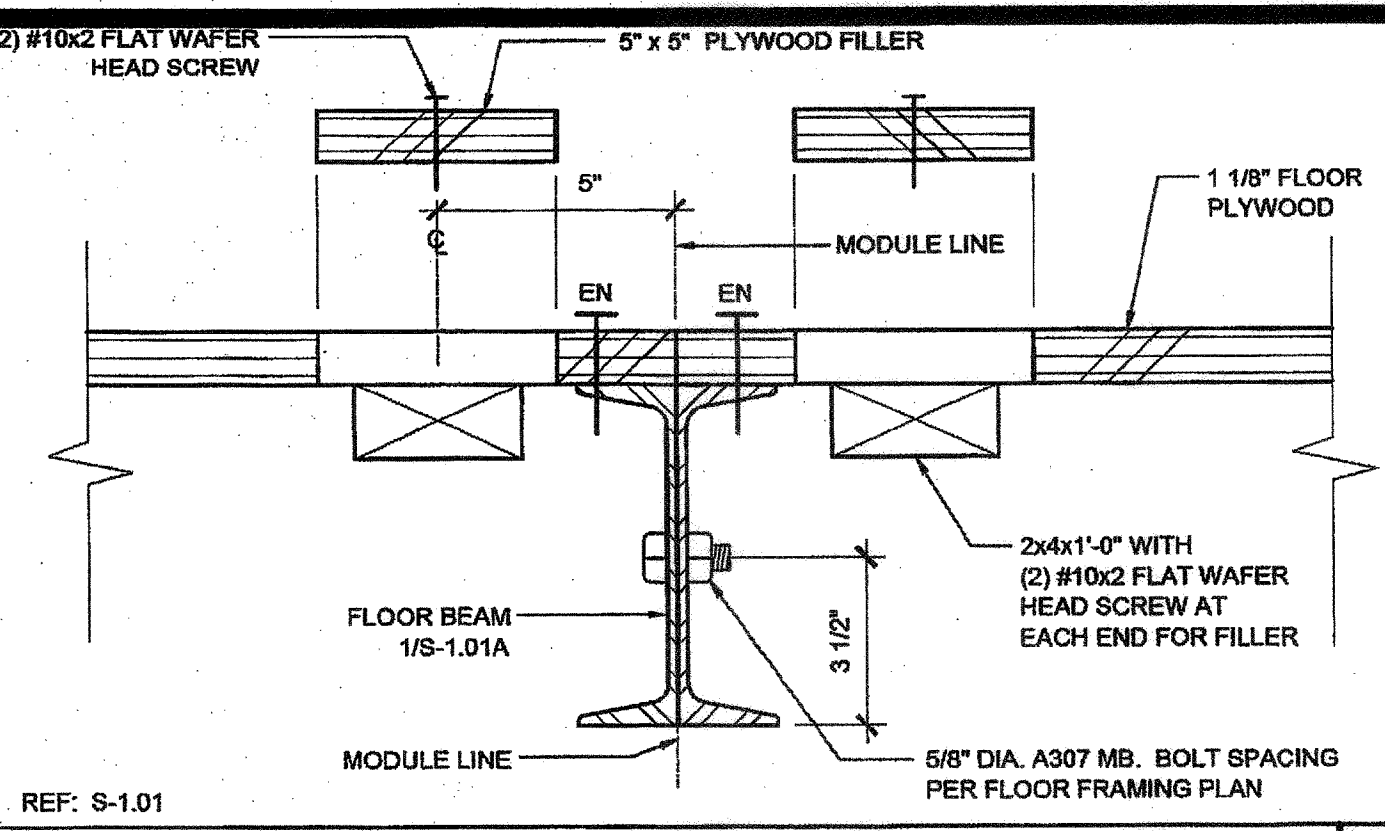


REVISIONS

SILVER CREEK INDUSTRIES
24' x 40' PC - 2:12 PITCH

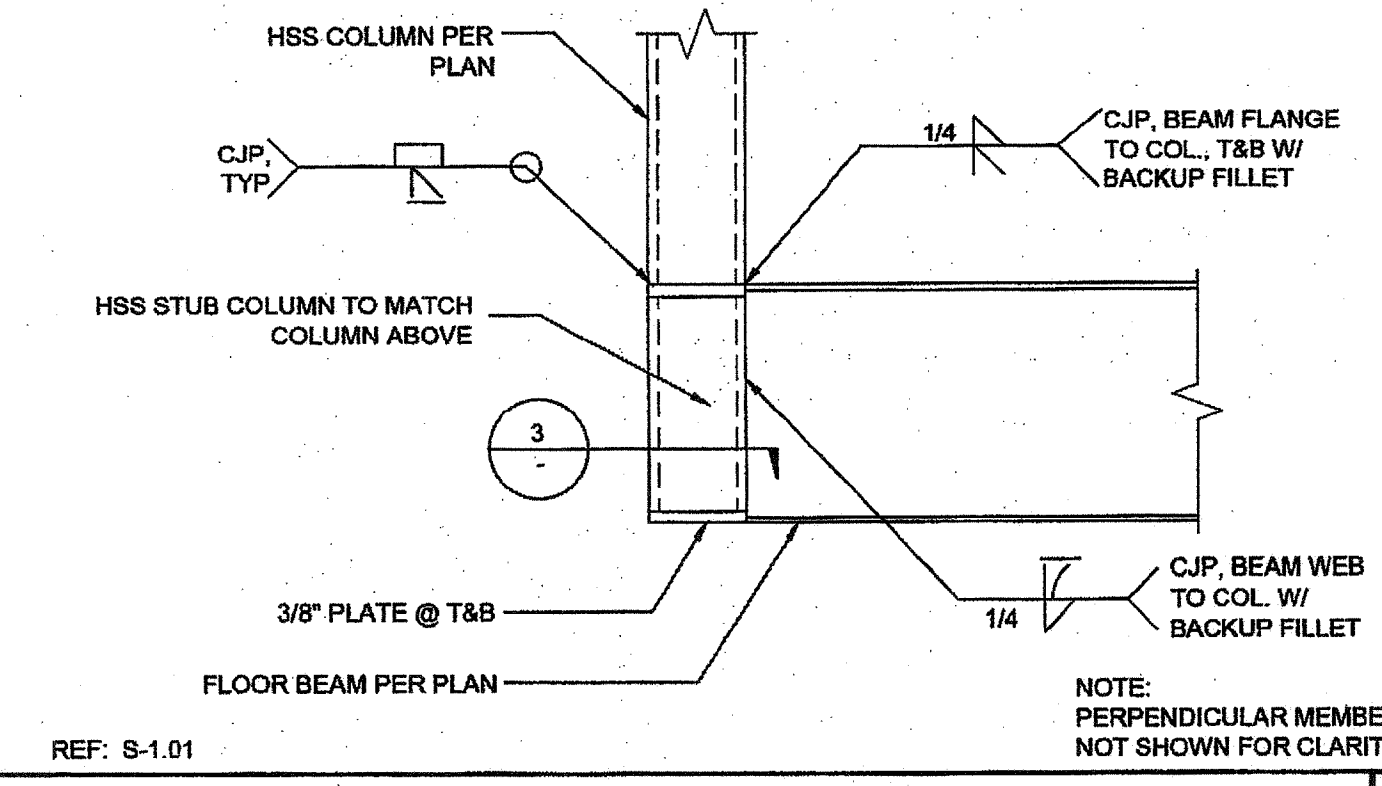
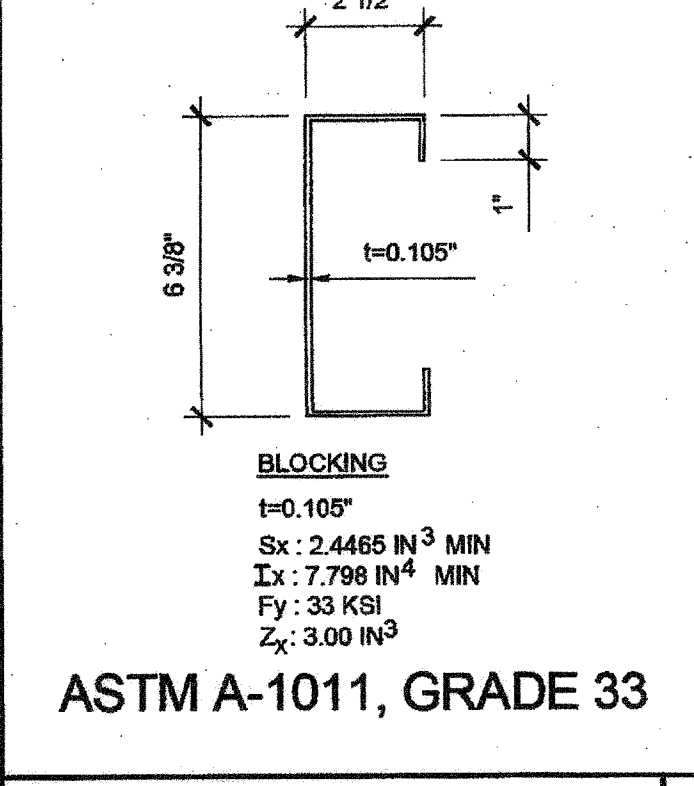
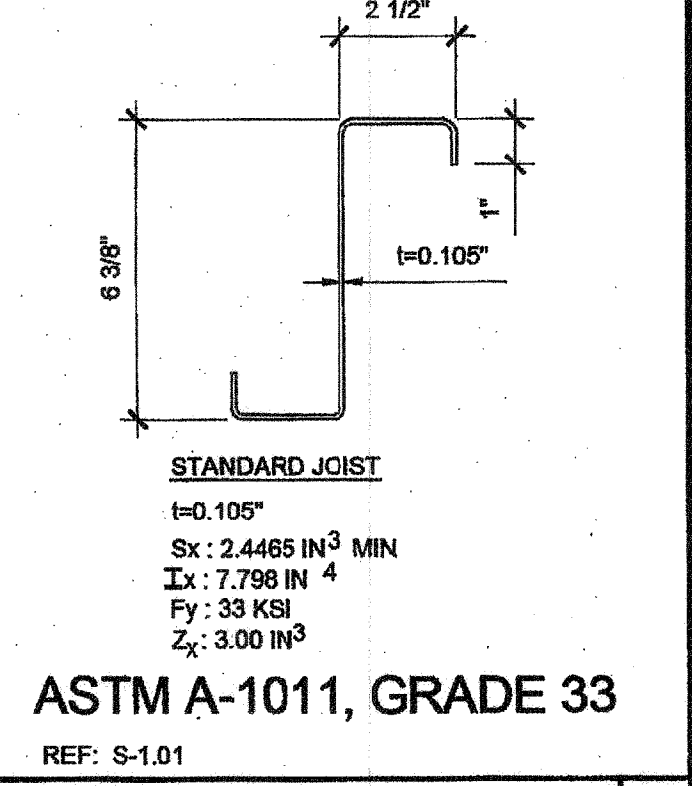
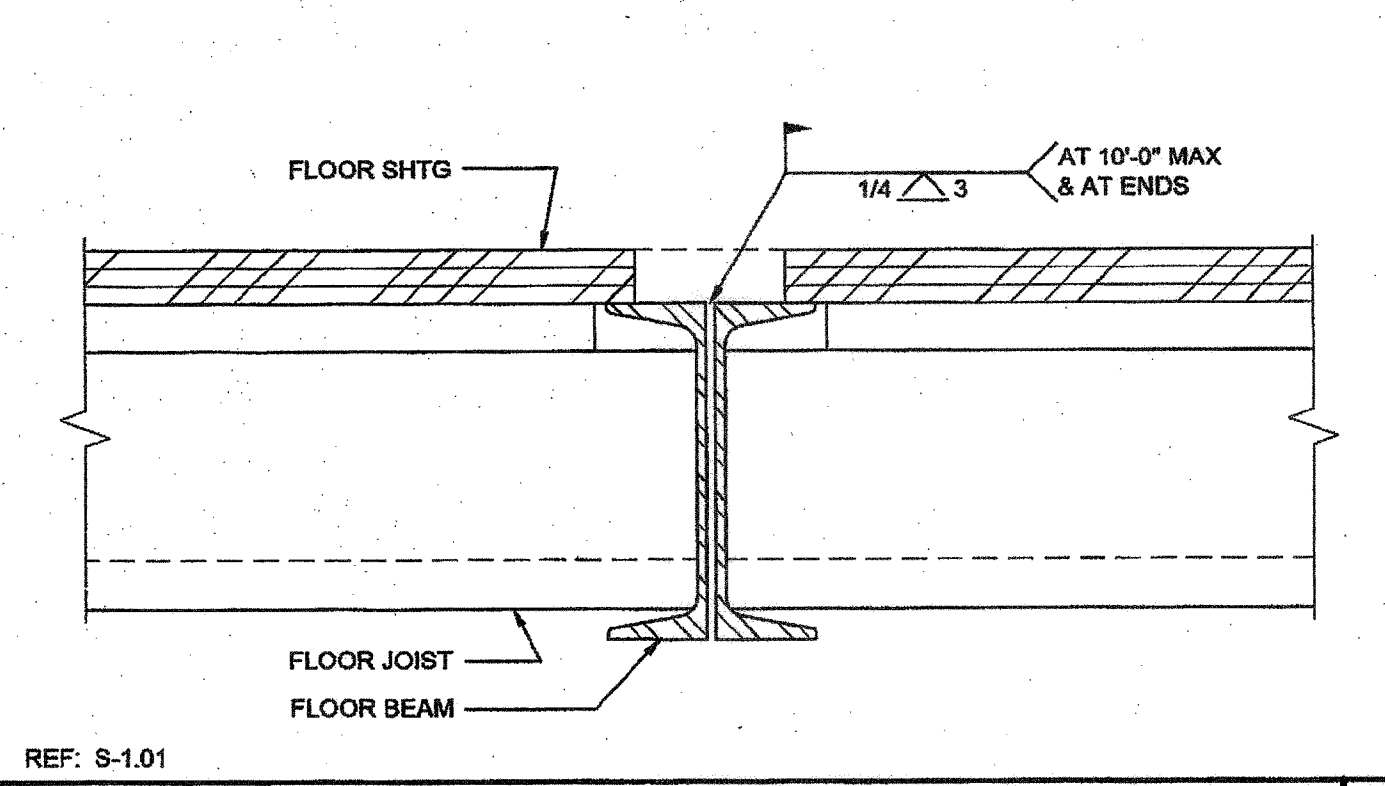
PROJECT NO:
DRAWN BY:
SCALE: AS NOTED
DATE: 01-30-15

P.C. SHEET NUMBER
S-1.50



16 MODULE LINE - BOLTED CONNECTION SCALE: 3" = 1'-0" 11

SHIPPING HOLD DOWN DETAIL SCALE: 3" = 1'-0" 6

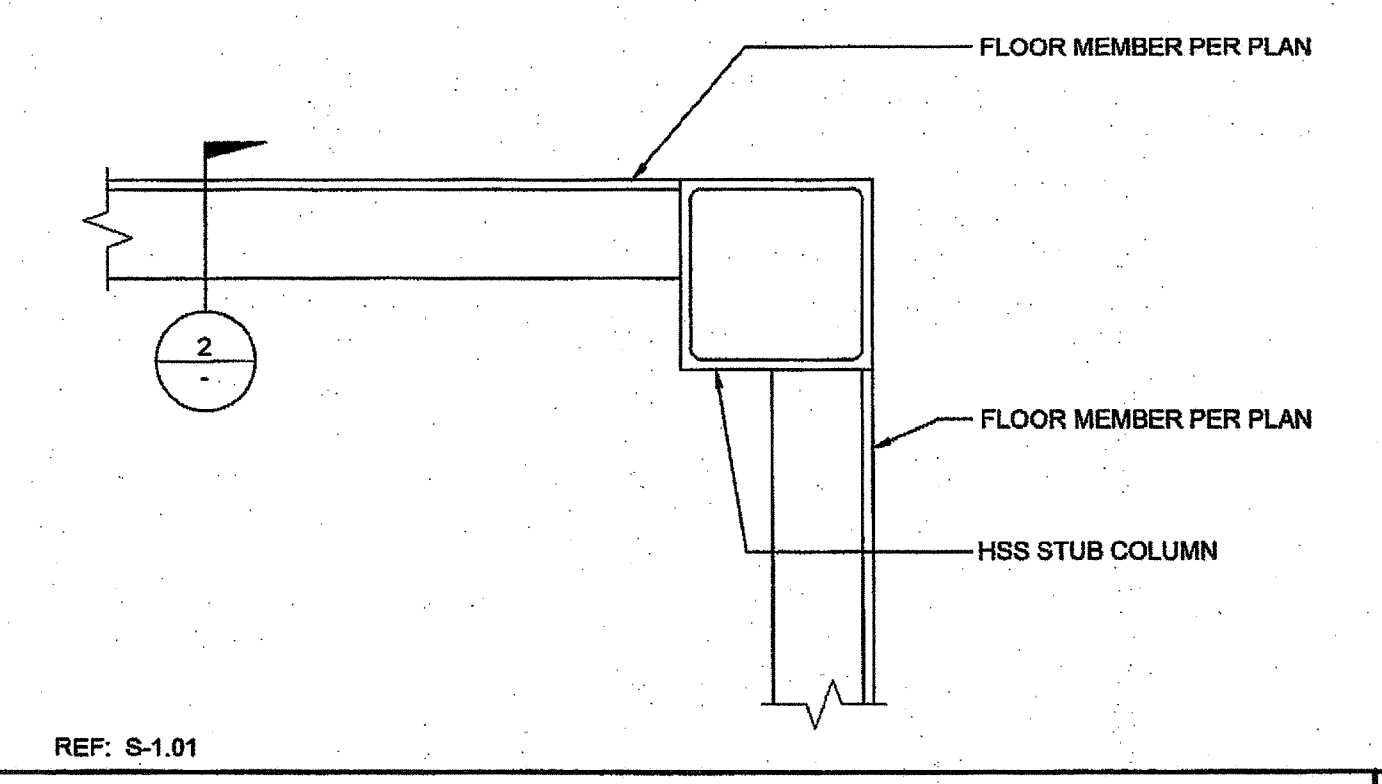
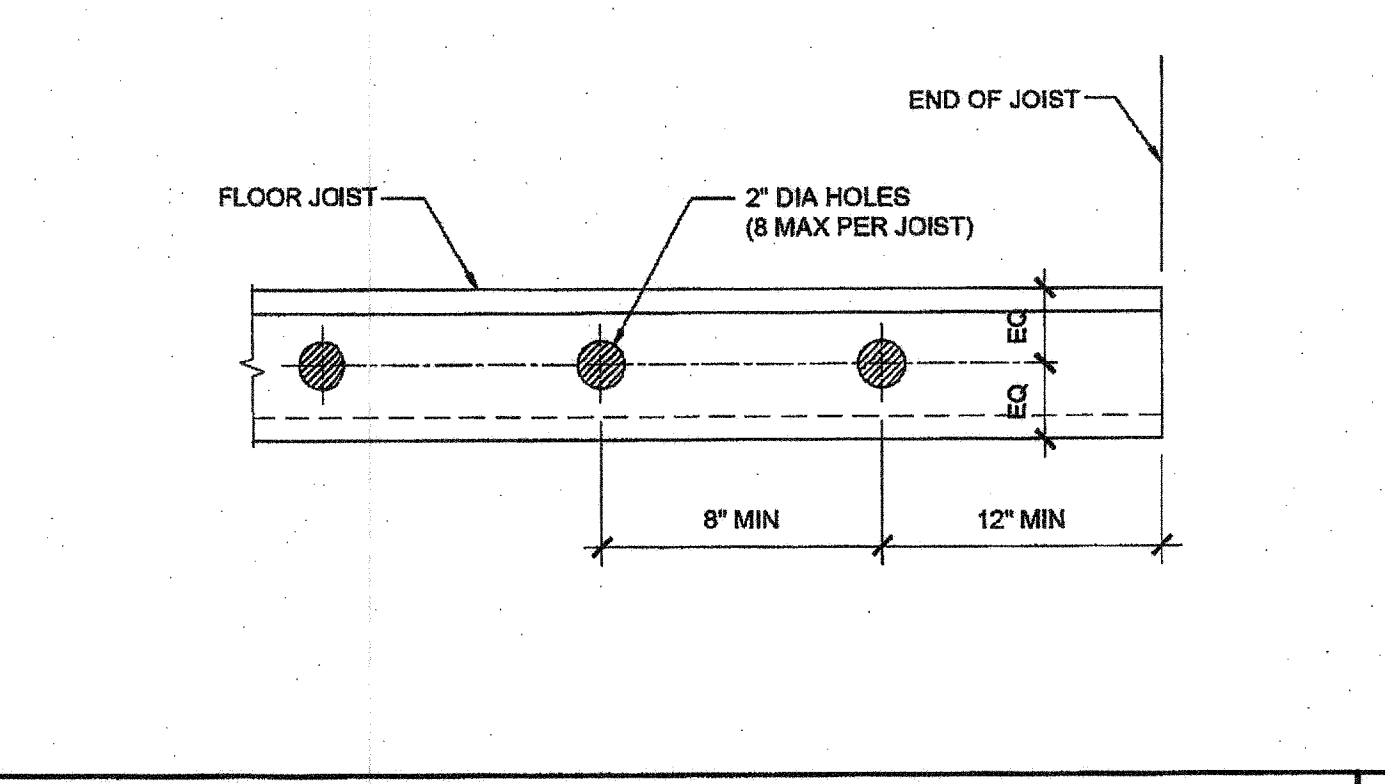
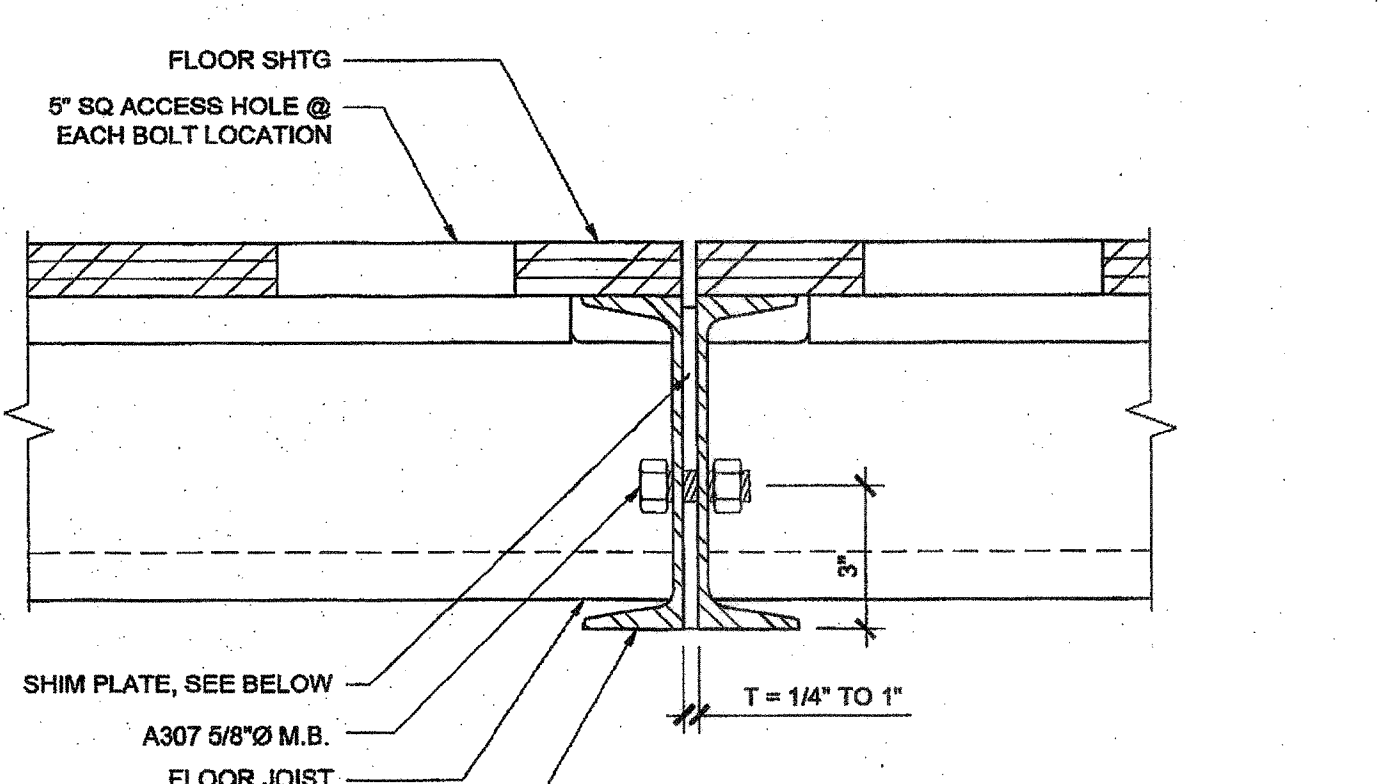


17 MODULE LINE CONNECTION (OPTION 1) SCALE: 3" = 1'-0" 12

FLOOR JOIST SCALE: 3" = 1'-0" 7B

BLOCKING SCALE: 3" = 1'-0" 7A

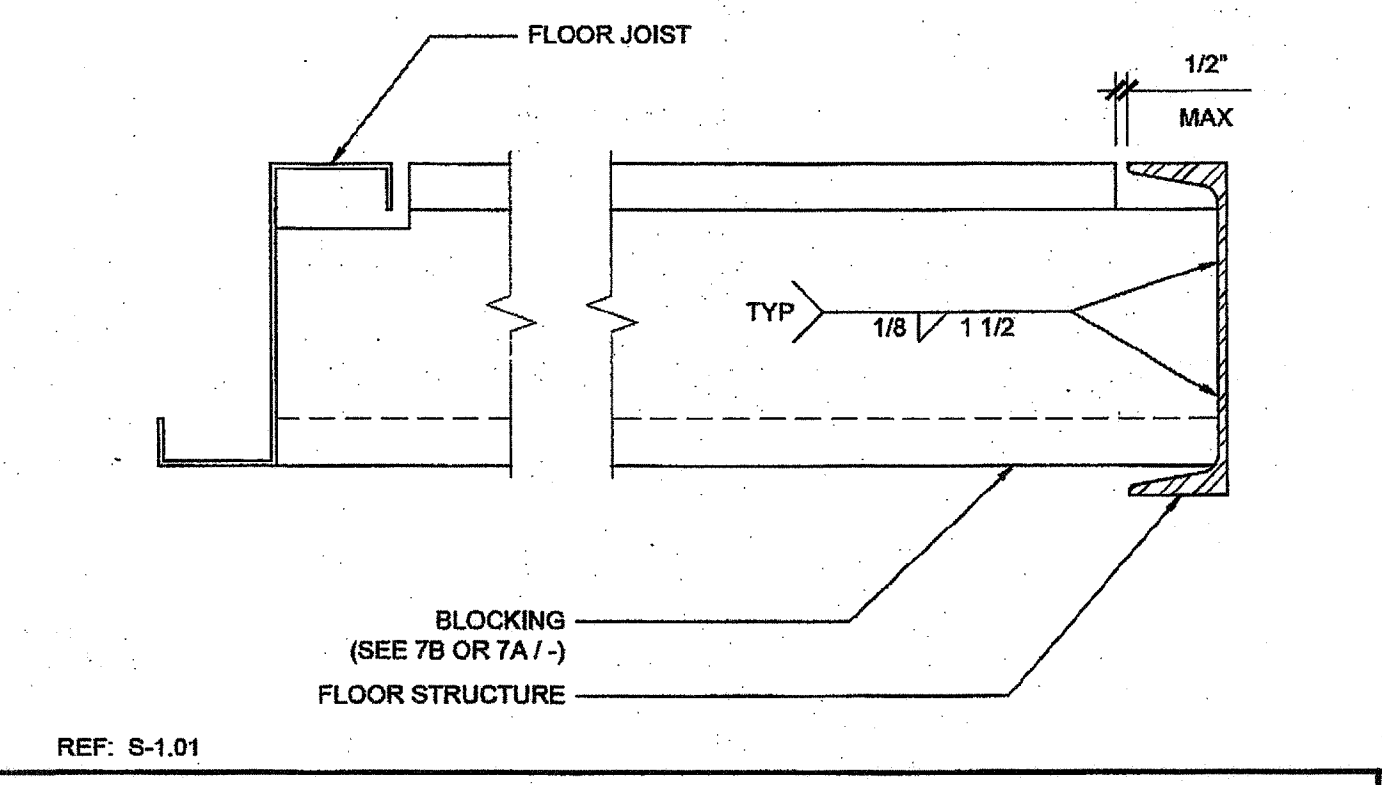
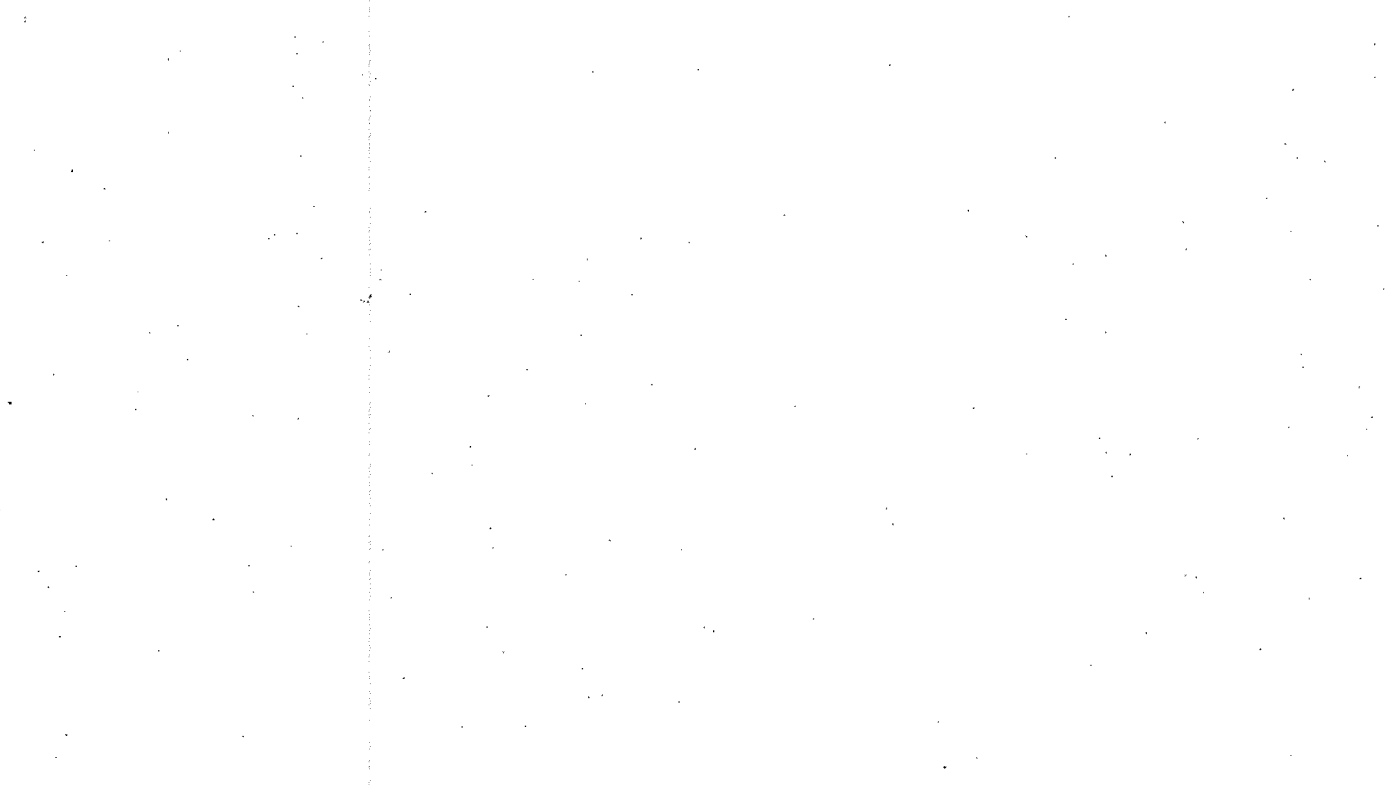
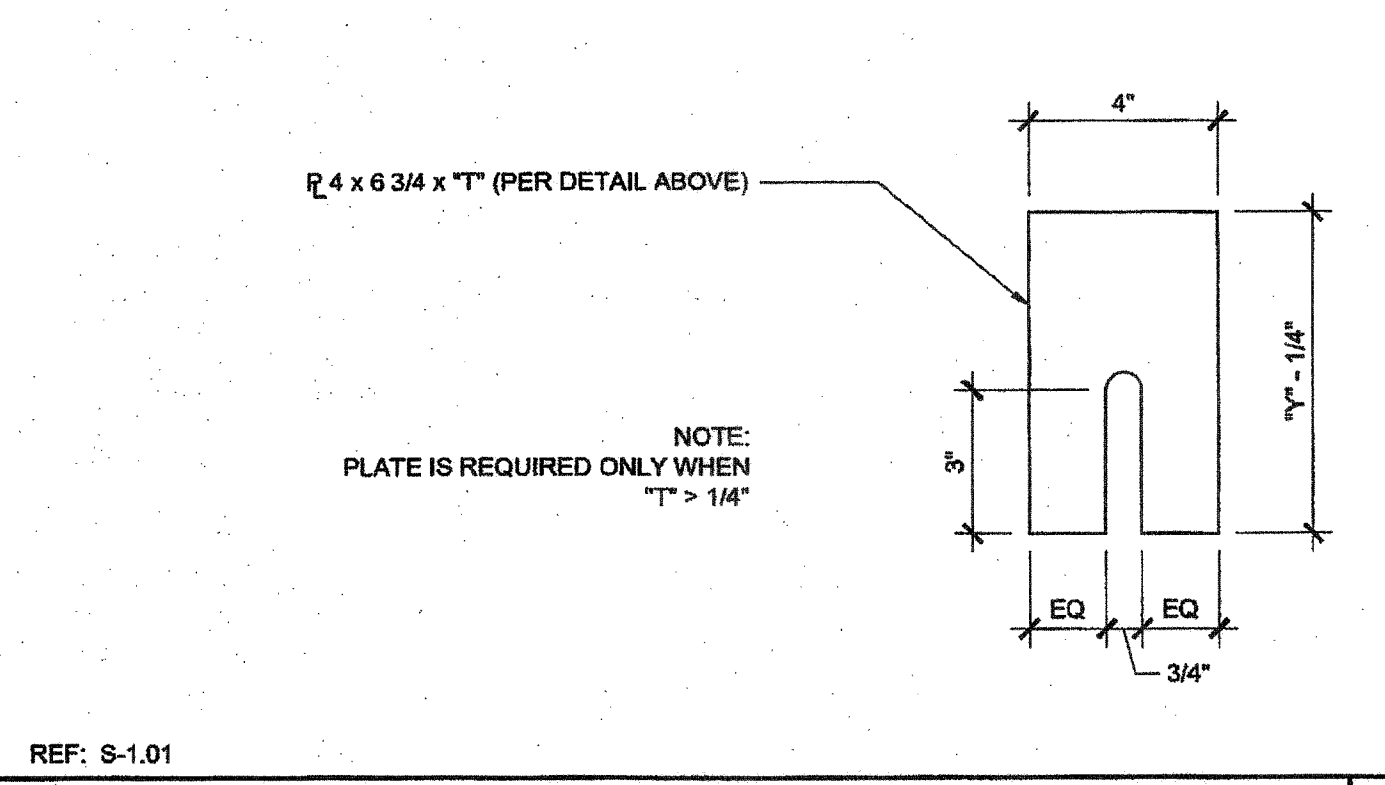
FLOOR BEAM TO COLUMN CONNECTION SCALE: 1 1/2" = 1'-0" 2



18 MODULE LINE CONNECTION (OPTION 2) SCALE: 3" = 1'-0" 14

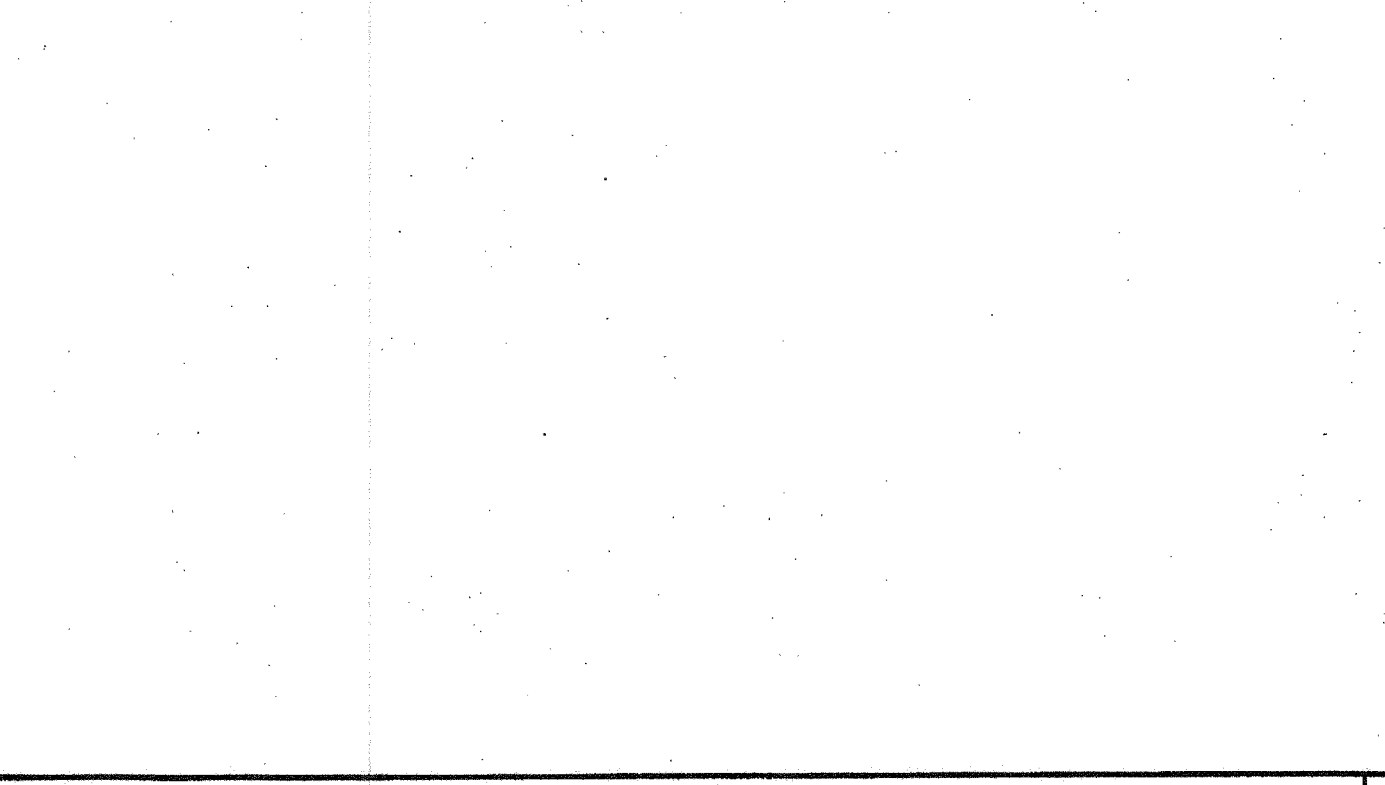
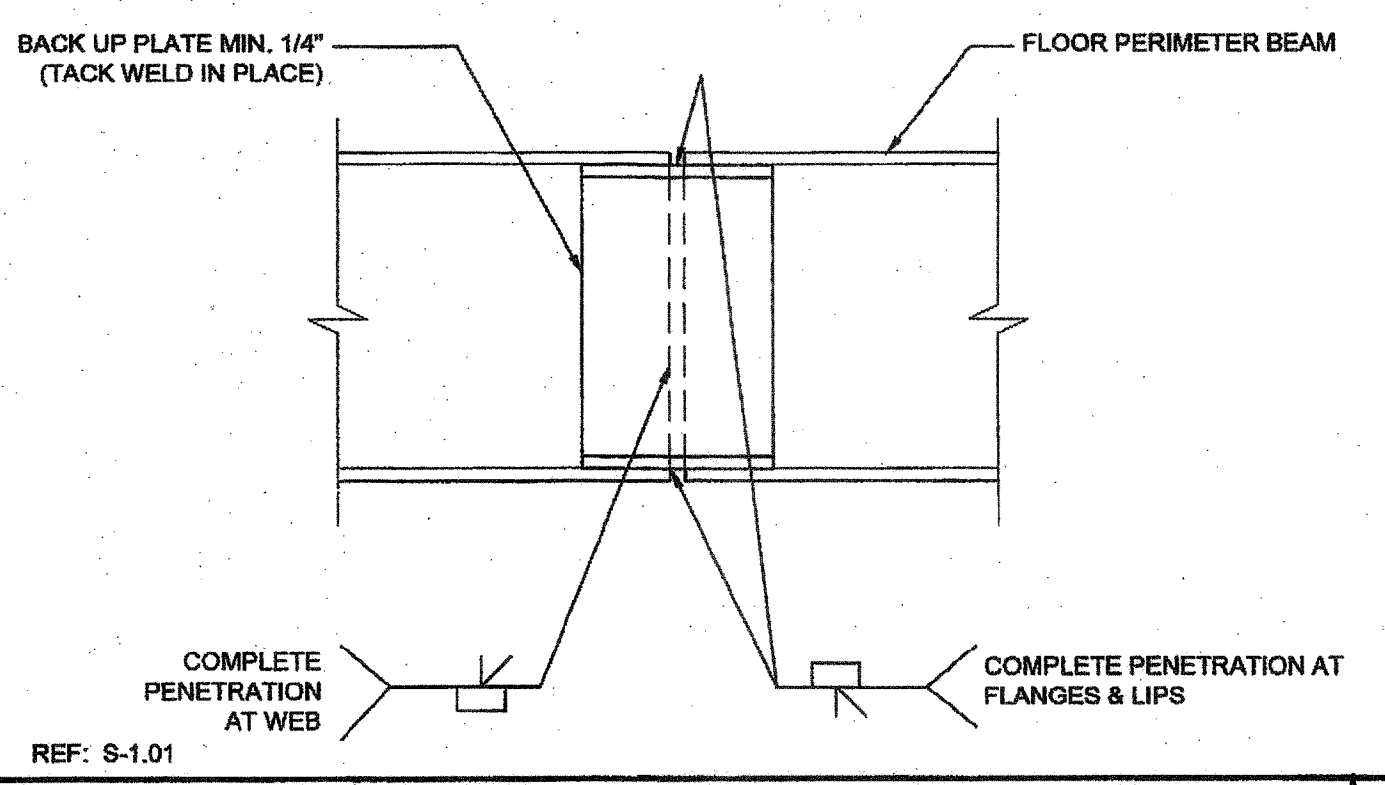
FLOOR JOIST HOLES (OPTIONAL) SCALE: 1/8" = 1'-0" 8

CORNER CONNECTION SCALE: 3" = 1'-0" 3



19 MODULE LINE CONNECTION (OPTION 2) SCALE: 3" = 1'-0" 15

BLOCKING TO END BEAM SCALE: 3" = 1'-0" 4



20 FLOOR BEAM SPLICE SCALE: 3" = 1'-0" 15

JOIST TO SIDE BEAM SCALE: 3" = 1'-0" 5