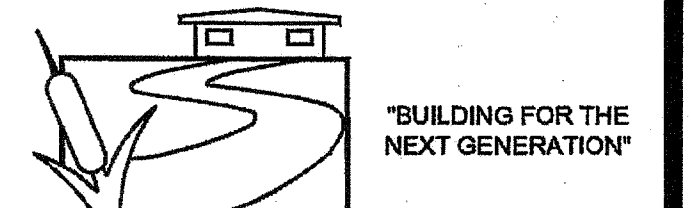


THESE DRAWINGS AND ALL MATERIAL CONTAINED HEREIN ARE THE PROPERTY OF SILVERCREEK INDUSTRIES, INC (SCI Inc) AND SHALL NOT BE REPRODUCED, COPIED OR OTHERWISE DISPOSED OF DIRECTLY OR INDIRECTLY AND SHALL NOT BE USED IN WHOLE OR IN PART TO ASSIST IN THE MAKING OF OR FOR THE PURPOSE OF FURNISHING ANY INFORMATION FOR THE MAKING OF DRAWINGS, PRINTS, APPARATUS OR PARTS THEREOF WITHOUT THE FULL KNOWLEDGE AND WRITTEN CONSENT OF SCI Inc.  
ALL PATENTABLE MATERIAL CONTAINED HEREIN AND ORIGINATING WITH SCI Inc SHALL BE THE PROPERTY OF SCI Inc

SILVER CREEK INDUSTRIES, INC.



**SILVER CREEK**

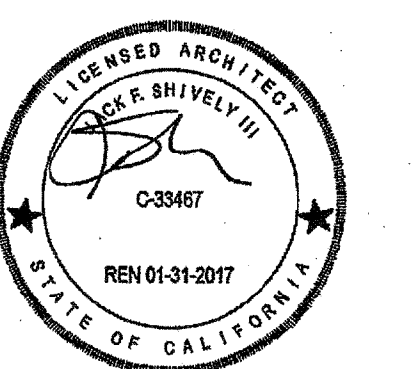
2830 BARRETT AVE PERRIS, CALIFORNIA 92571  
PHONE: 951-943-5393 FAX: 951-943-2211

PROJECT NAME:

**24x40 STOCKPILE OFFICE BUILDING**

SHEET TITLE:

**ARCHITECTURAL DETAILS FLOOR**



ARCHITECT OF RECORD  
SUBMISSION DATE

FILE # 15-6  
IDENTIFICATION STAMP  
DIV. OF THE STATE ARCHITECT  
OFFICE OF REGULATION SERVICES  
03-118270  
AC FLS SS RAE  
DATE MAY 8 2017  
TRACKING # 83241490

PROJECT SPECIFIC STATE AGENCY APPROVAL

IDENTIFICATION STAMP  
DIV. OF THE STATE ARCHITECT  
04 116284  
ACS FLS SS RAE  
DATE MAY 18 2017

ORIGINAL PC STATE AGENCY APPROVAL

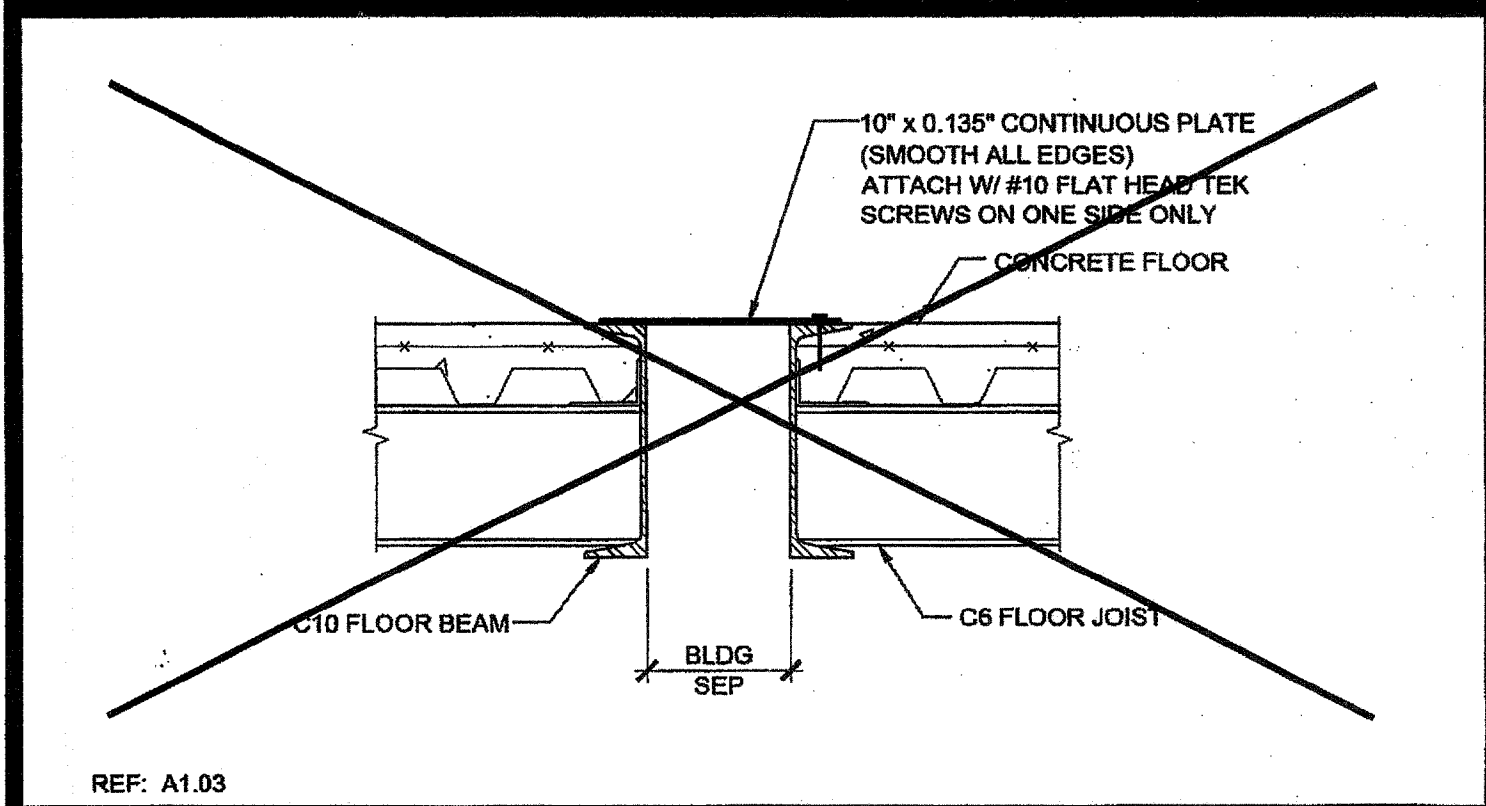
IDENTIFICATION STAMP  
DIV. OF THE STATE ARCHITECT  
OFFICE OF REGULATION SERVICES  
PC 04-114102  
DATE AUG - 4 2015

REVISIONS

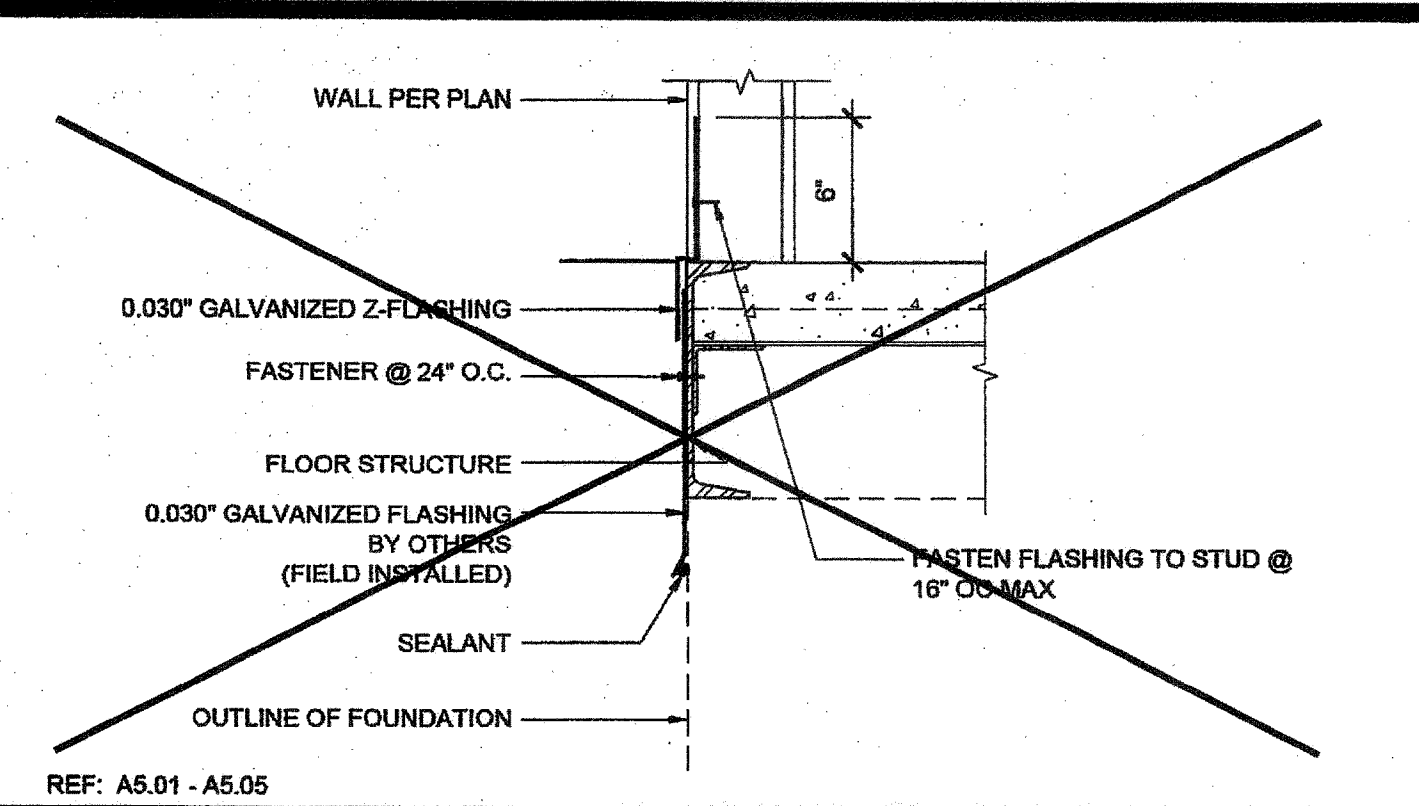

SILVER CREEK INDUSTRIES  
24' x 40' PC - 2:12 PITCH

PROJECT NO:  
DRAWN BY:  
SCALE: AS NOTED  
DATE: 01-30-15  
P.C. SHEET NUMBER

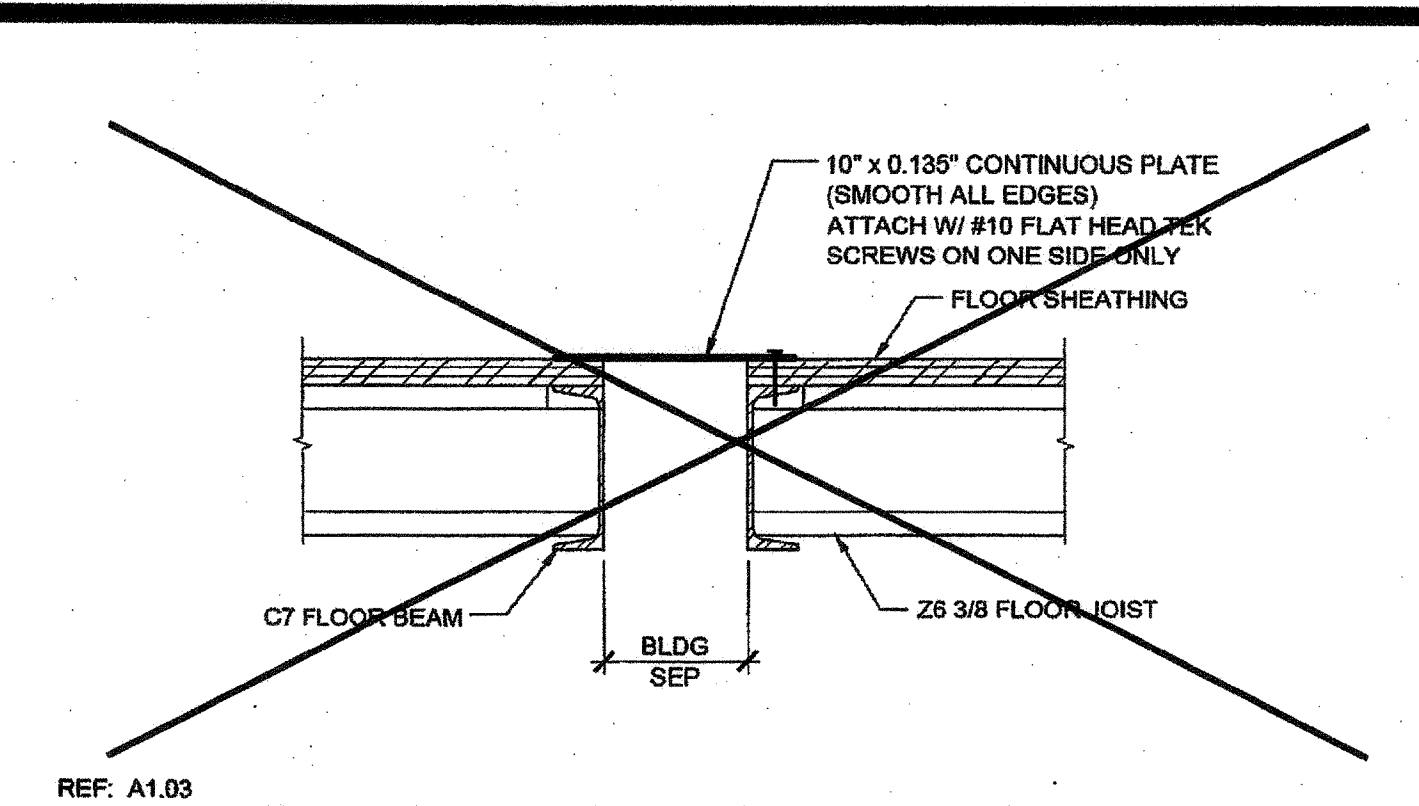
**A-5.70**



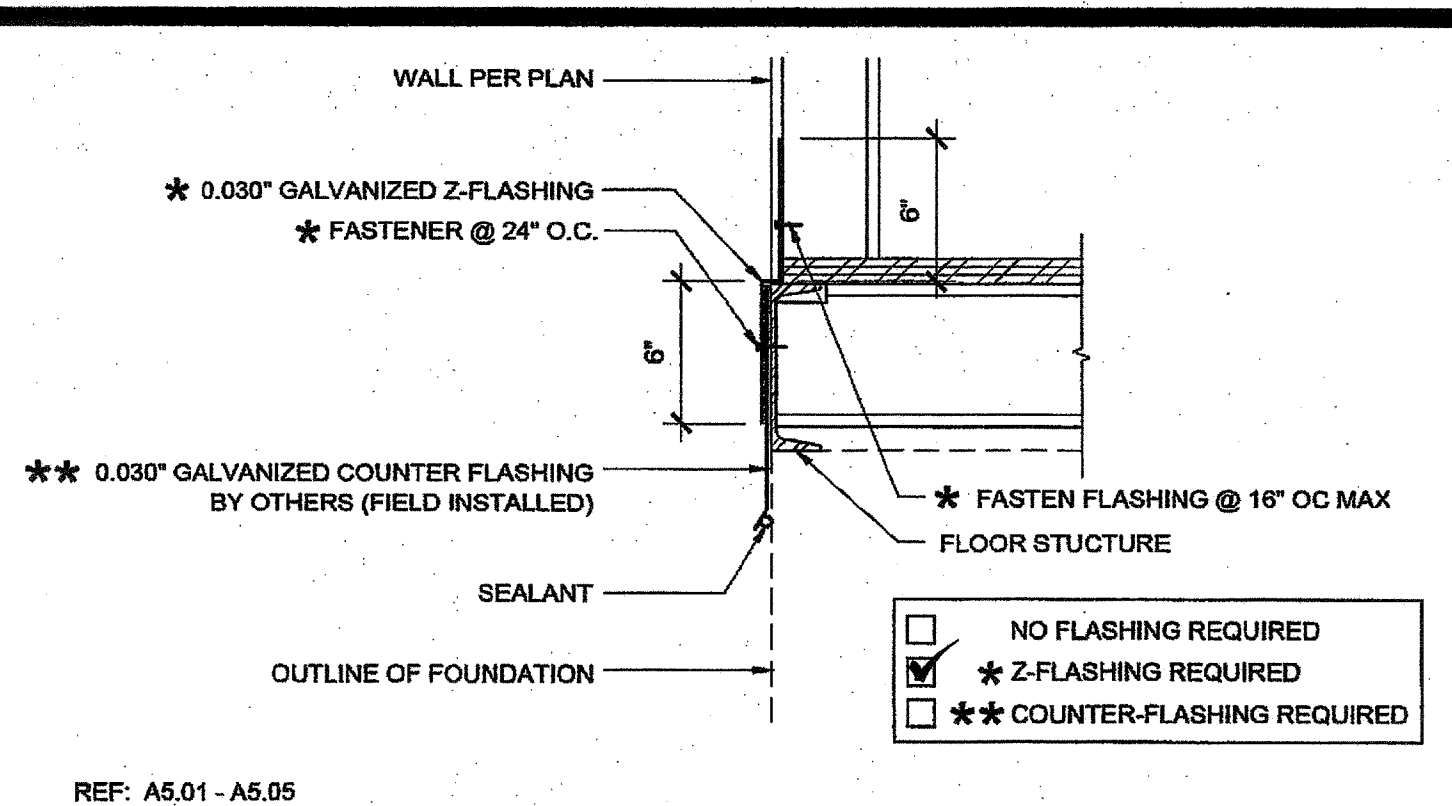
16 FLOOR AT SEPARATION (CONCRETE FLR) SCALE: 1 1/2"=1'-0"



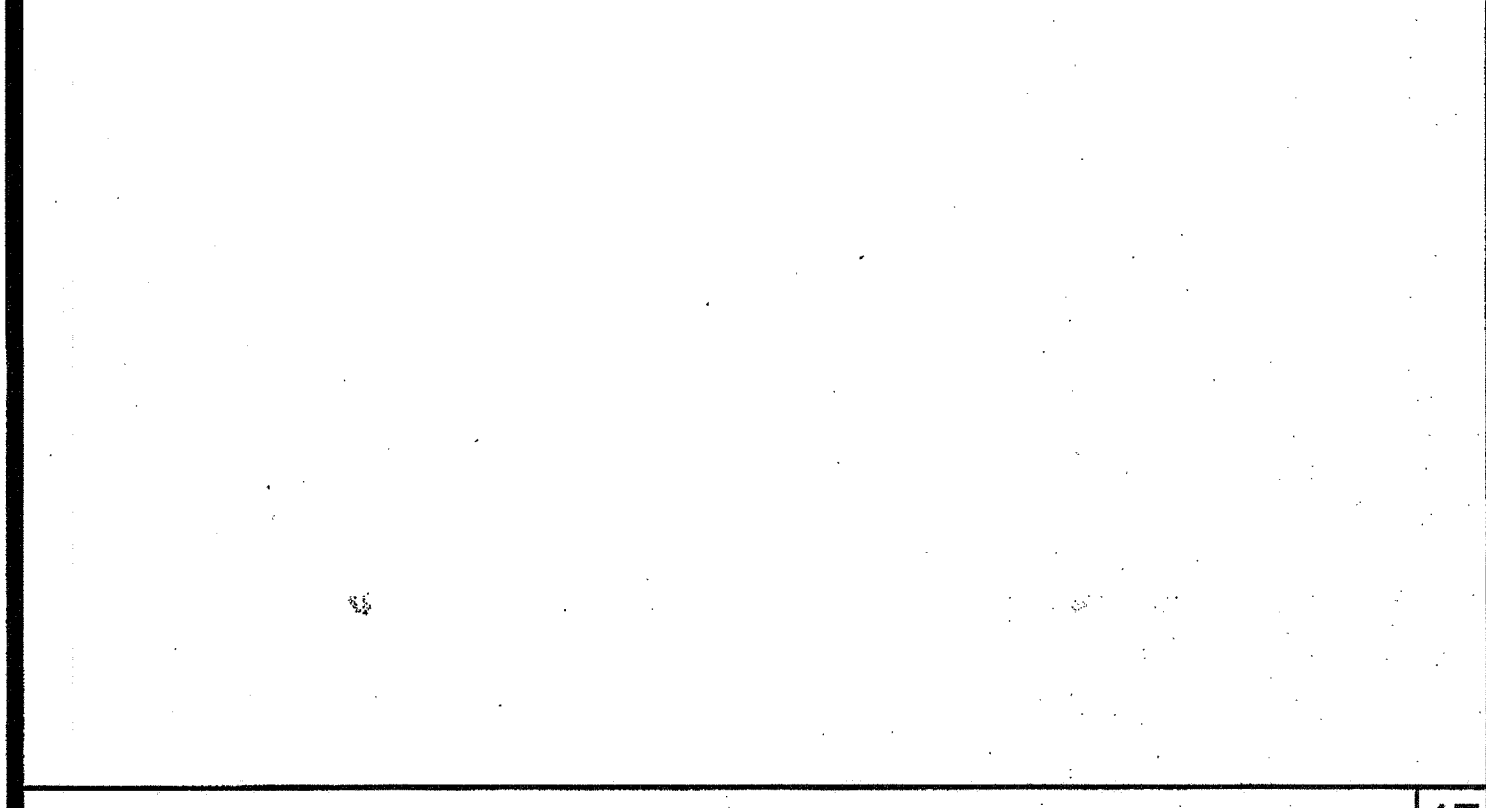
11 SKIRT FLASHING (CONCRETE FLOOR) SCALE: 1 1/2"=1'-0"



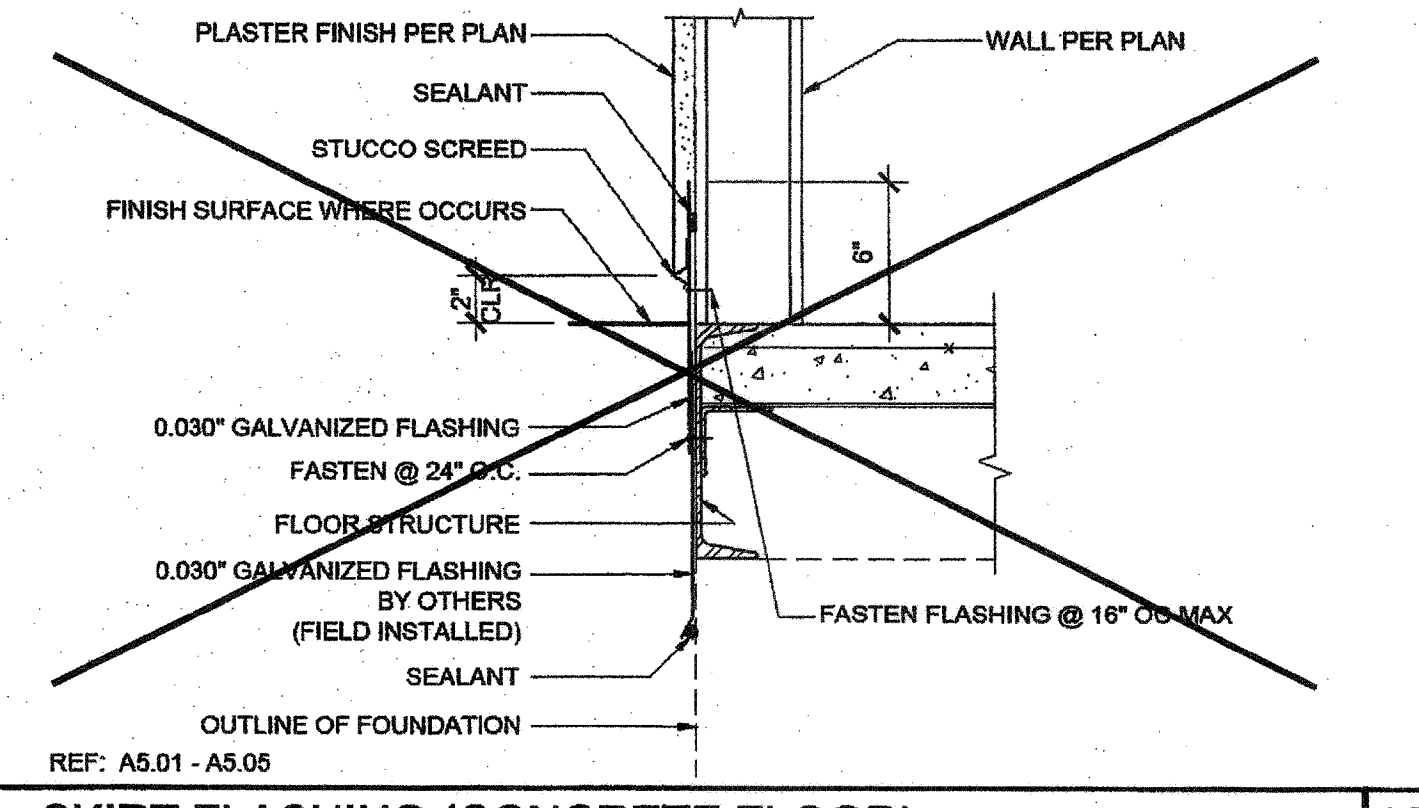
6 FLOOR AT SEPARATION (WOOD FLOOR) SCALE: 1 1/2"=1'-0"



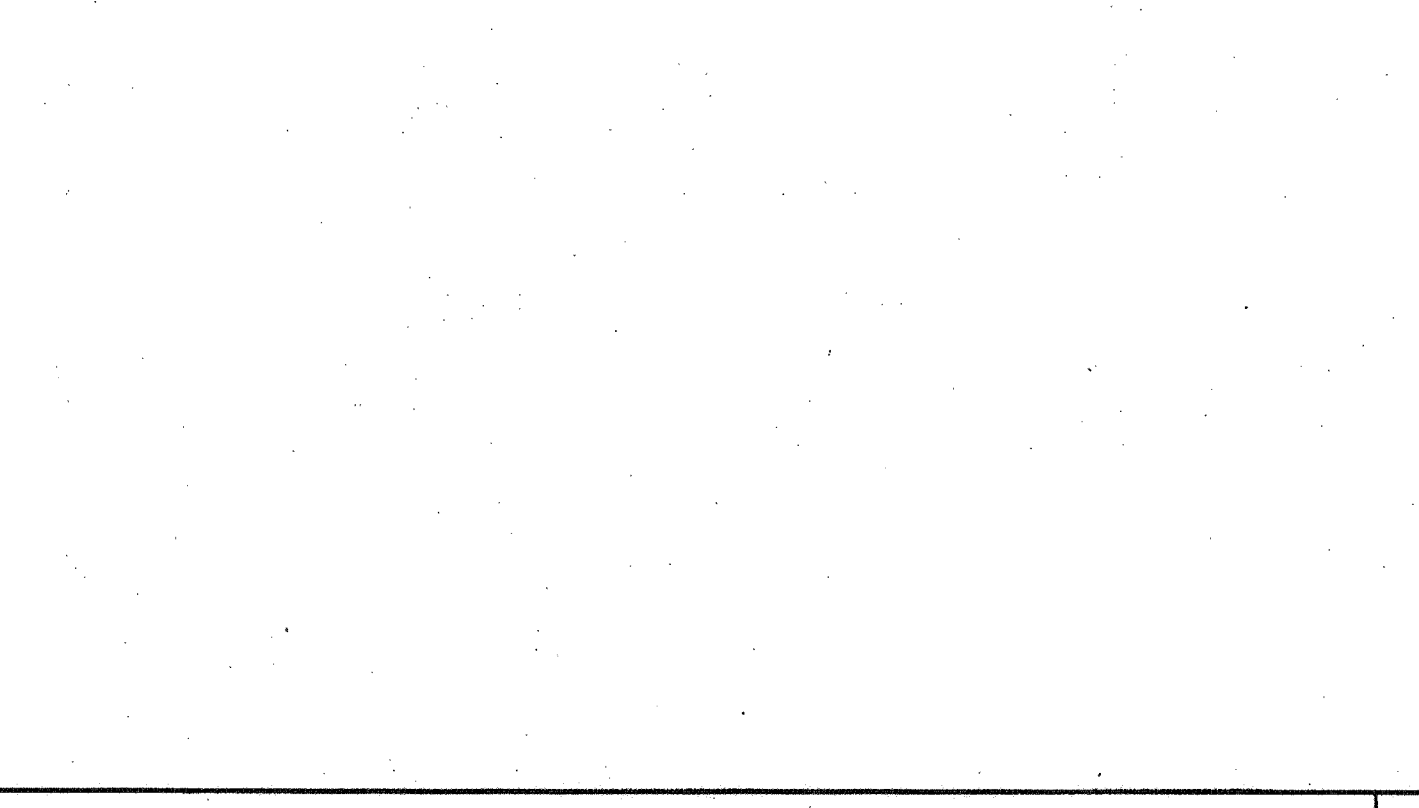
1 SKIRT FLASHING (WOOD FLOOR) SCALE: 1 1/2"=1'-0"



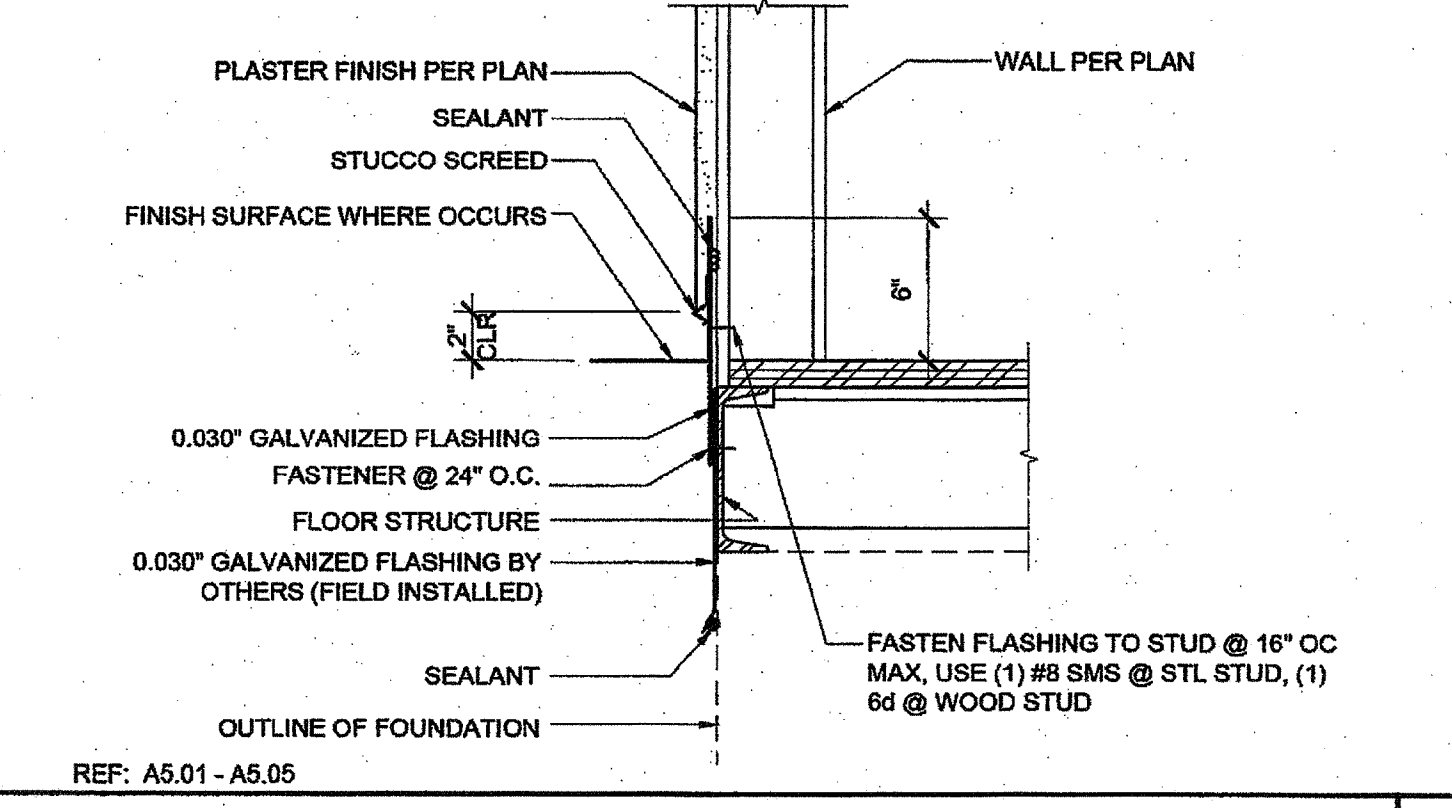
17 SKIRT FLASHING (CONCRETE FLOOR) SCALE: 1 1/2"=1'-0"



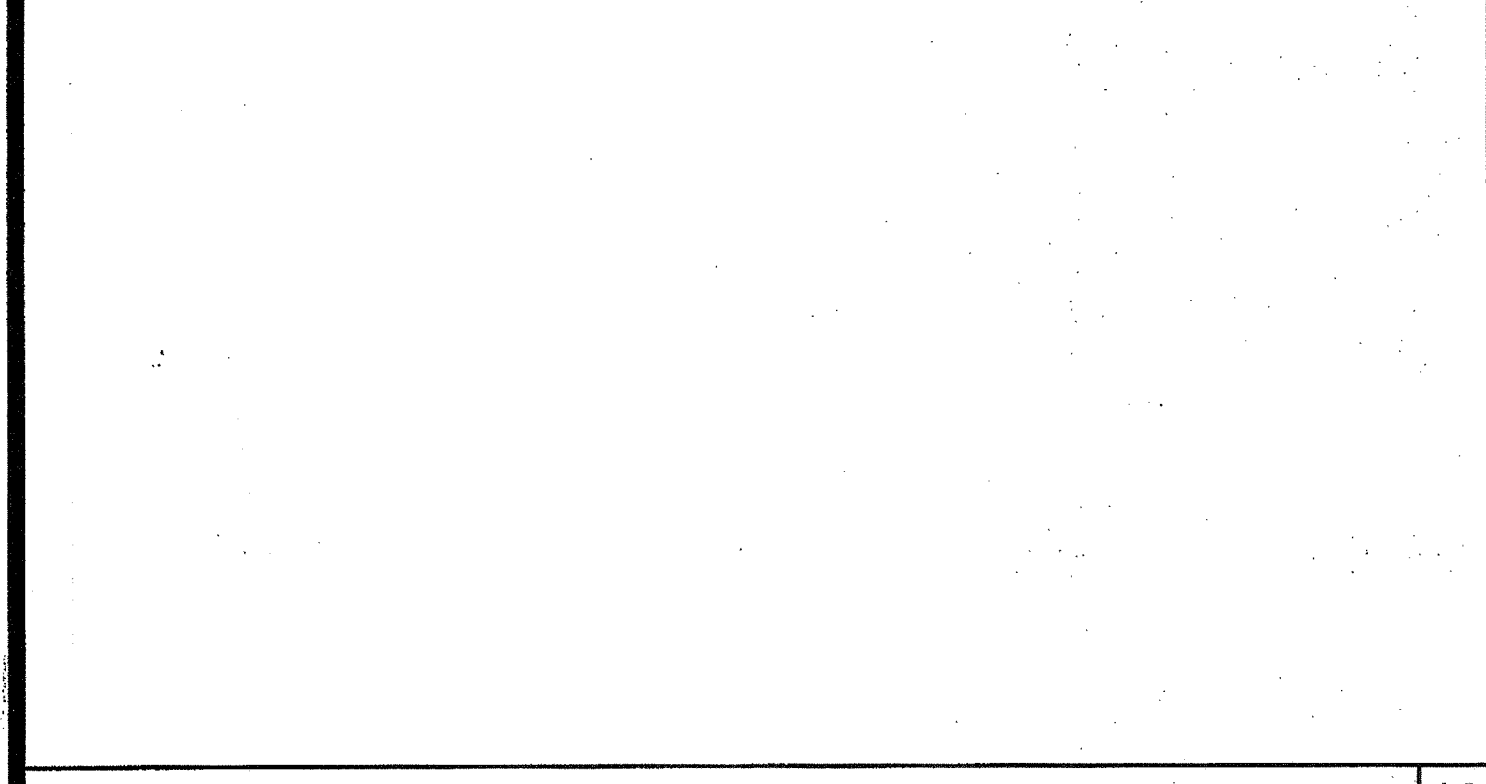
12 SKIRT FLASHING (CONCRETE FLOOR) SCALE: 1 1/2"=1'-0"



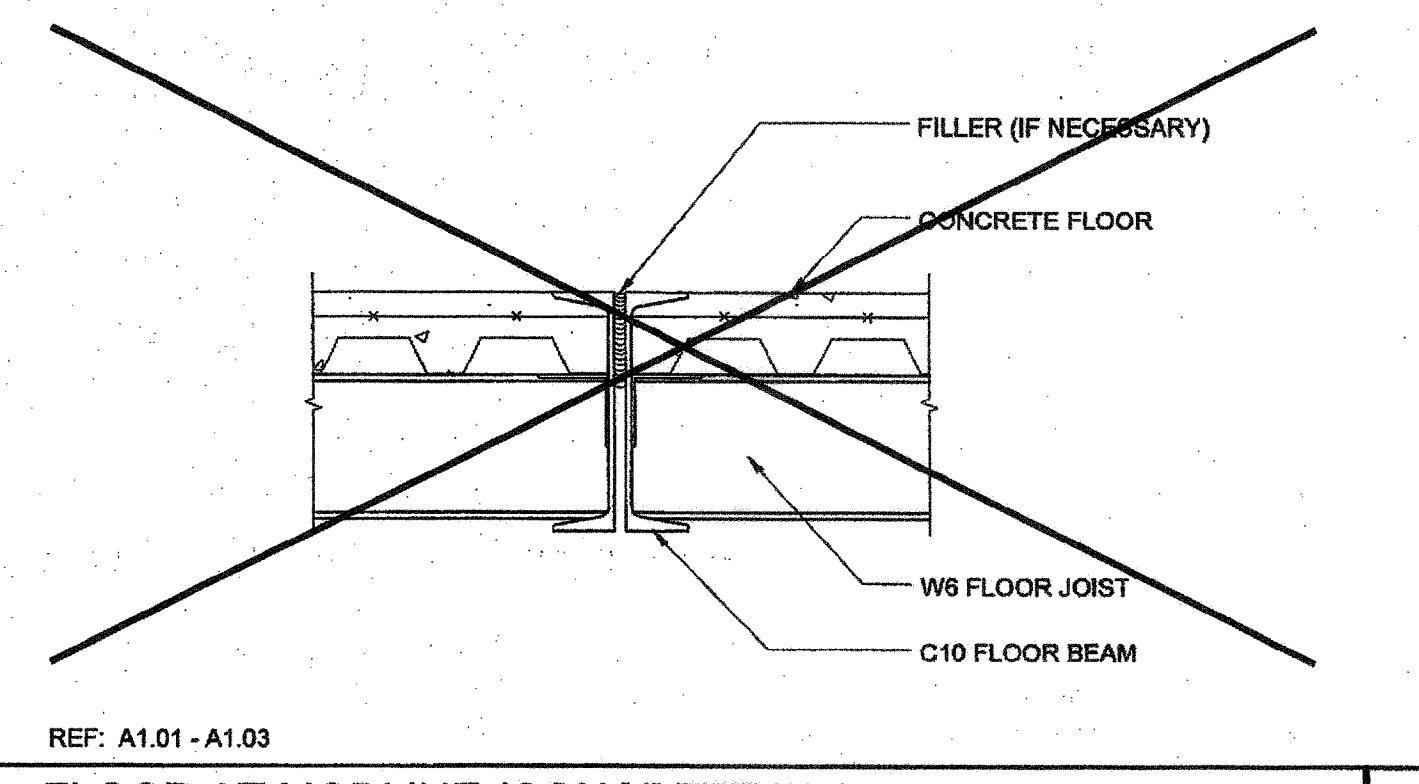
7 SKIRT FLASHING (WOOD FLOOR) SCALE: 1 1/2"=1'-0"



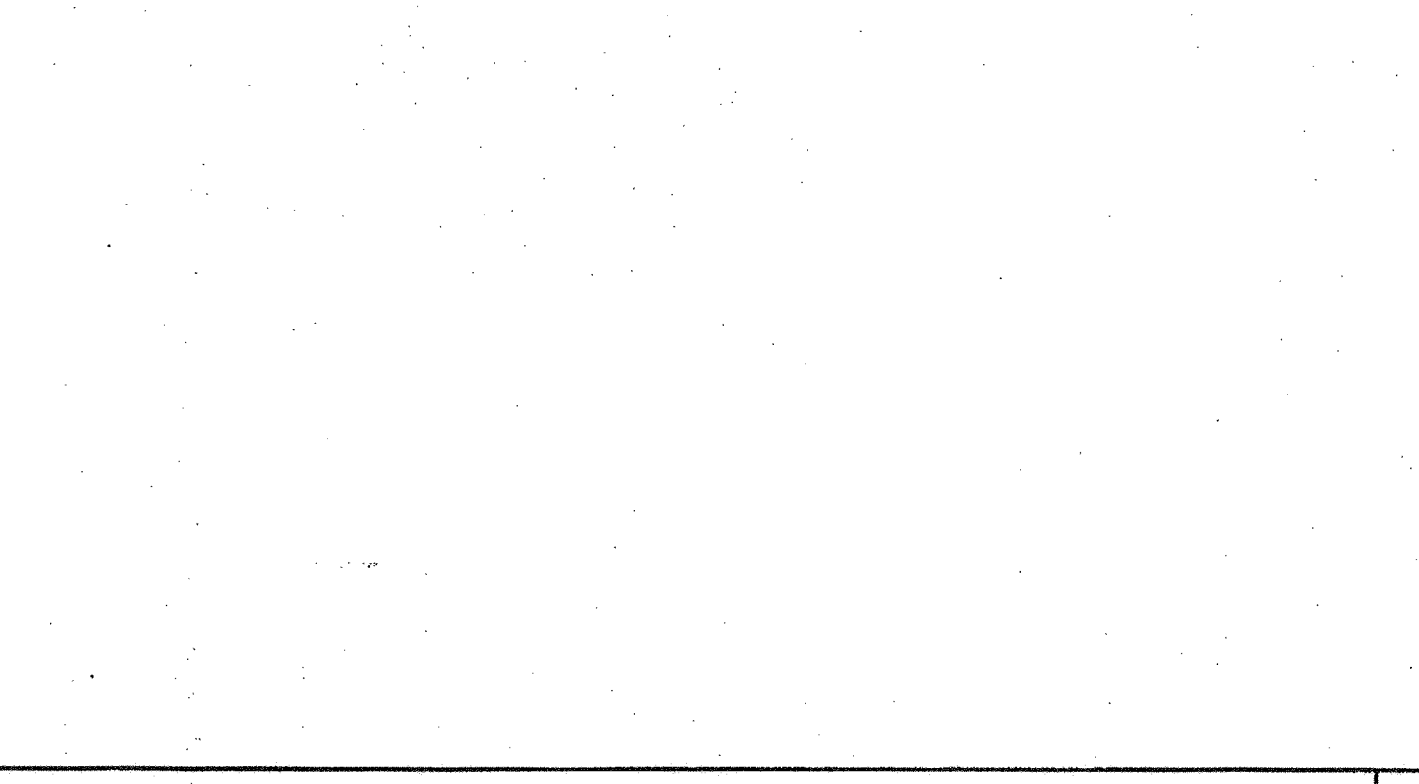
2 SKIRT FLASHING (WOOD FLOOR) SCALE: 1 1/2"=1'-0"



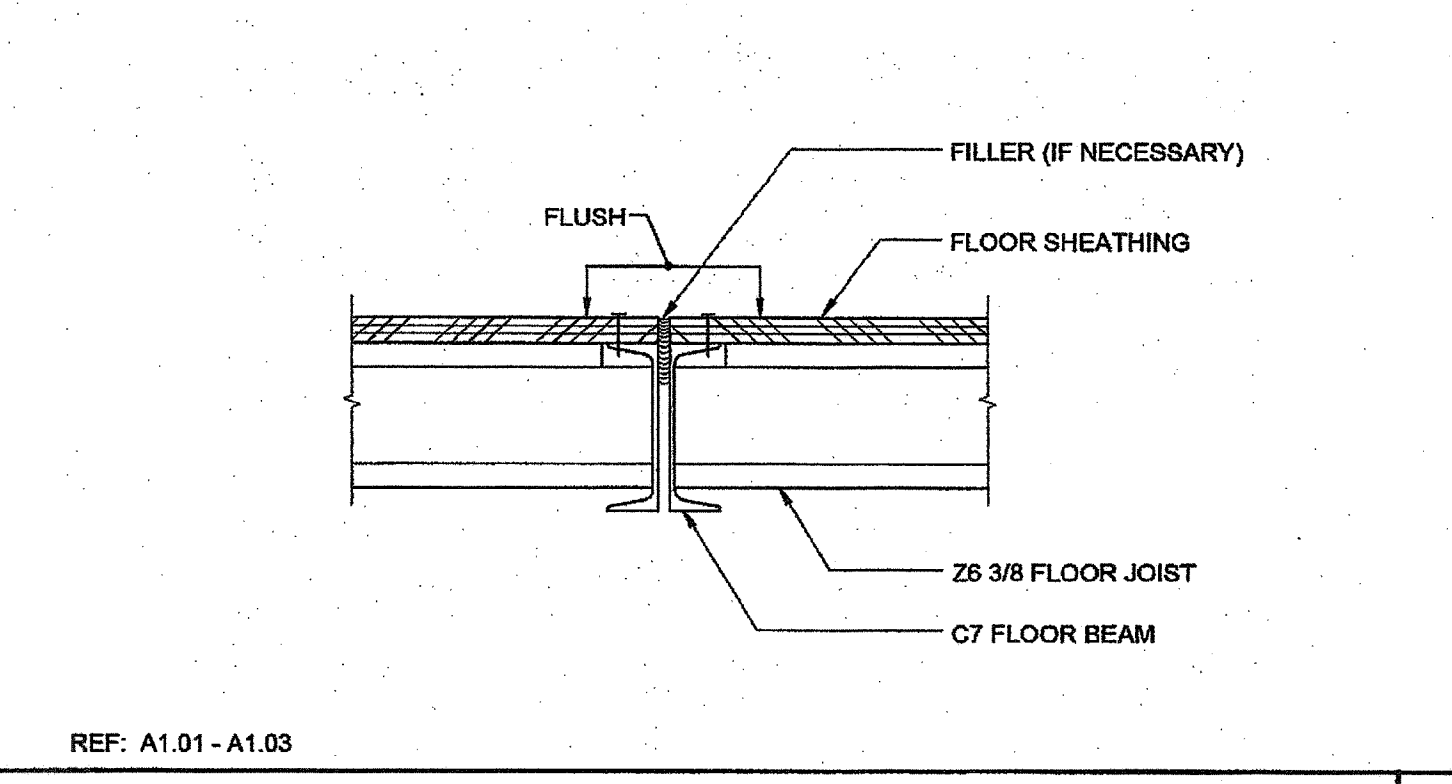
18 FLOOR AT MODLINE (CONCRETE FLOOR) SCALE: 1 1/2"=1'-0"



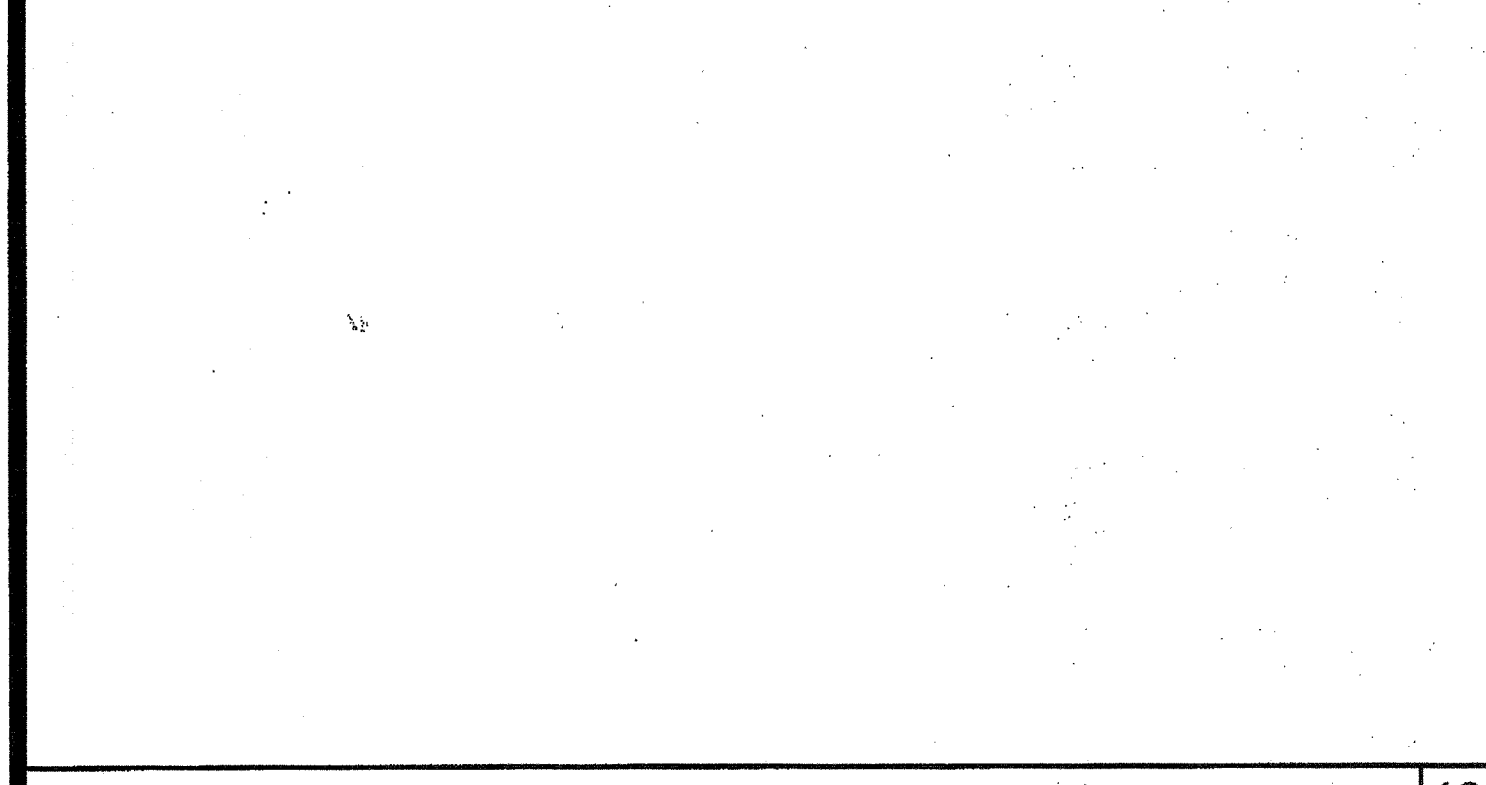
13 FLOOR AT MODLINE (CONCRETE FLOOR) SCALE: 1 1/2"=1'-0"



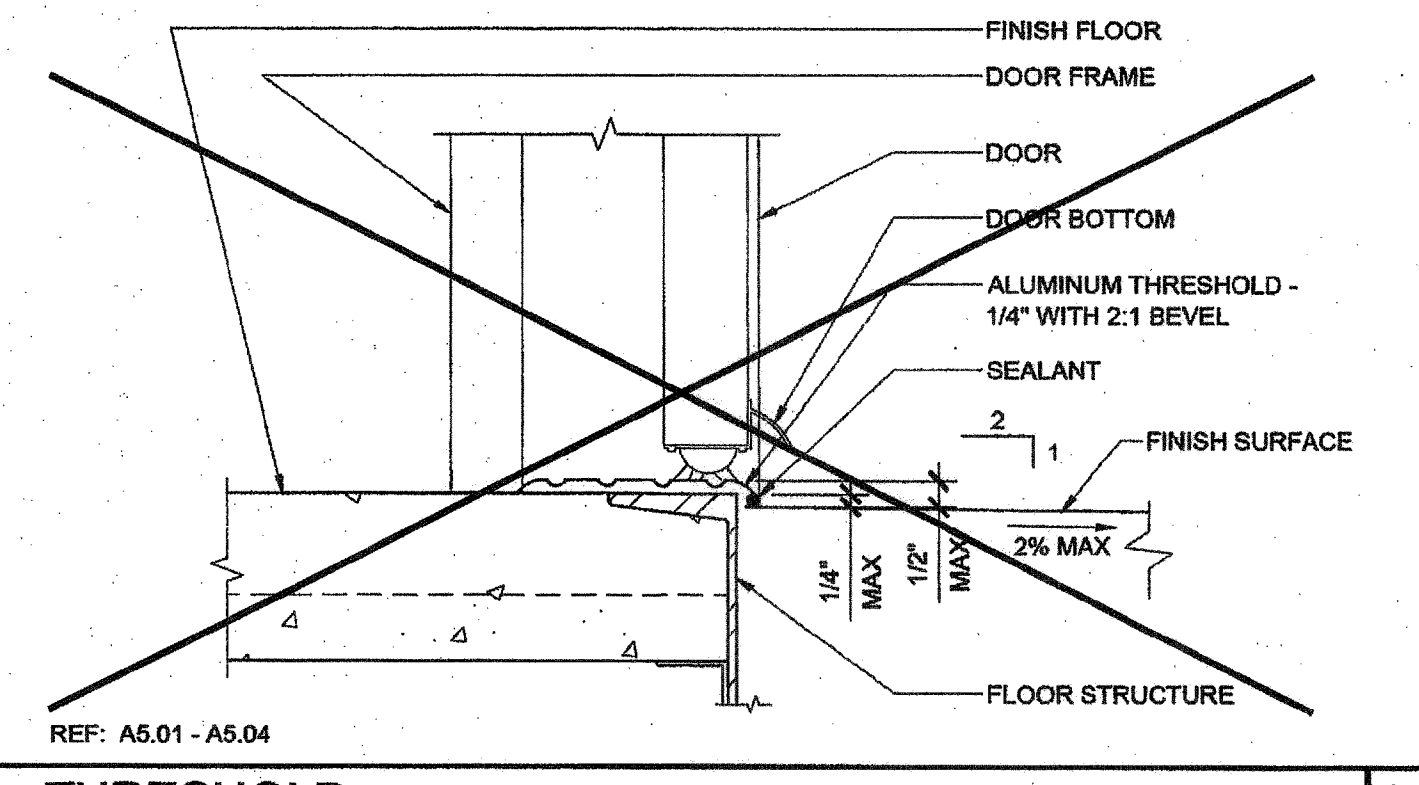
8 FLOOR AT MODLINE (WOOD FLOOR) SCALE: 1 1/2"=1'-0"



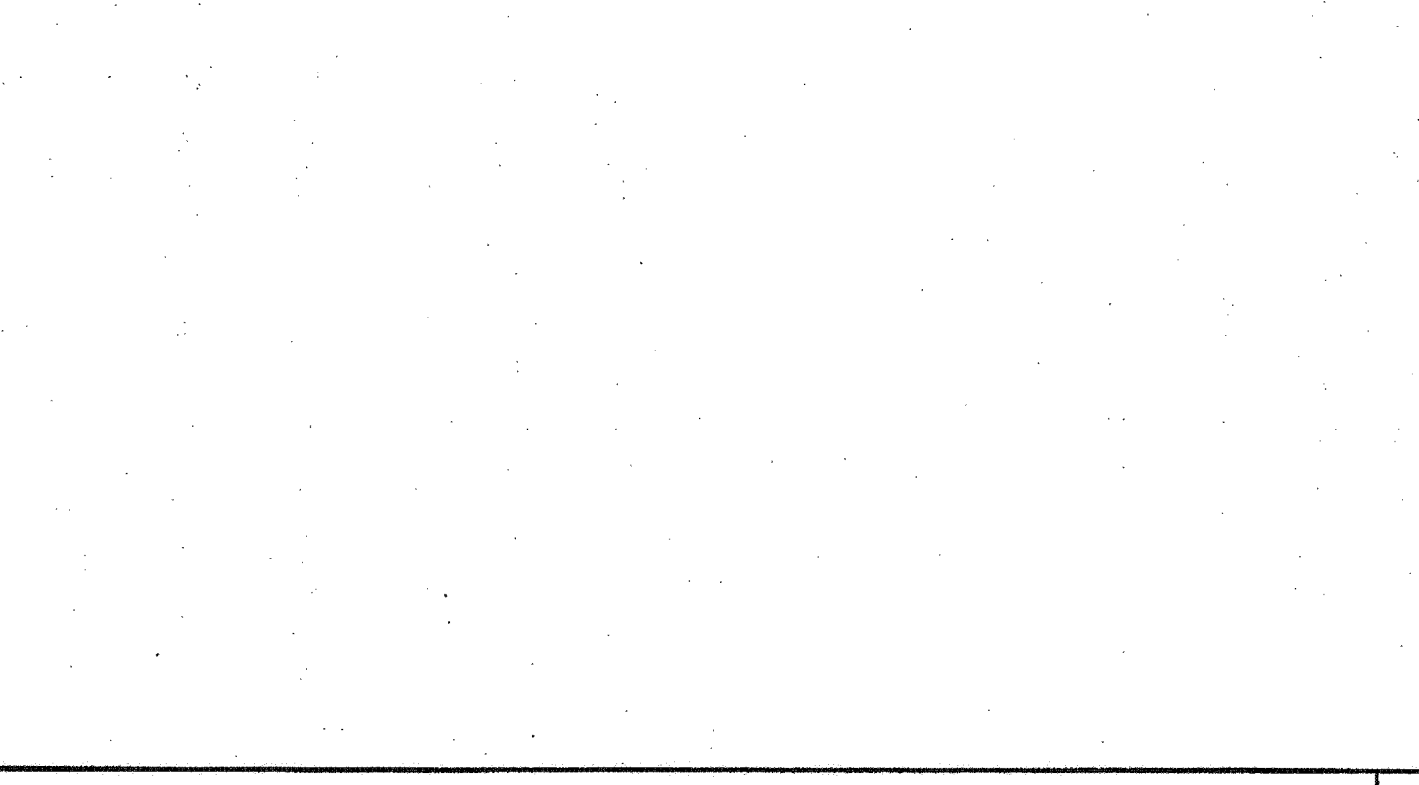
3 FLOOR AT MODLINE (WOOD FLOOR) SCALE: 1 1/2"=1'-0"



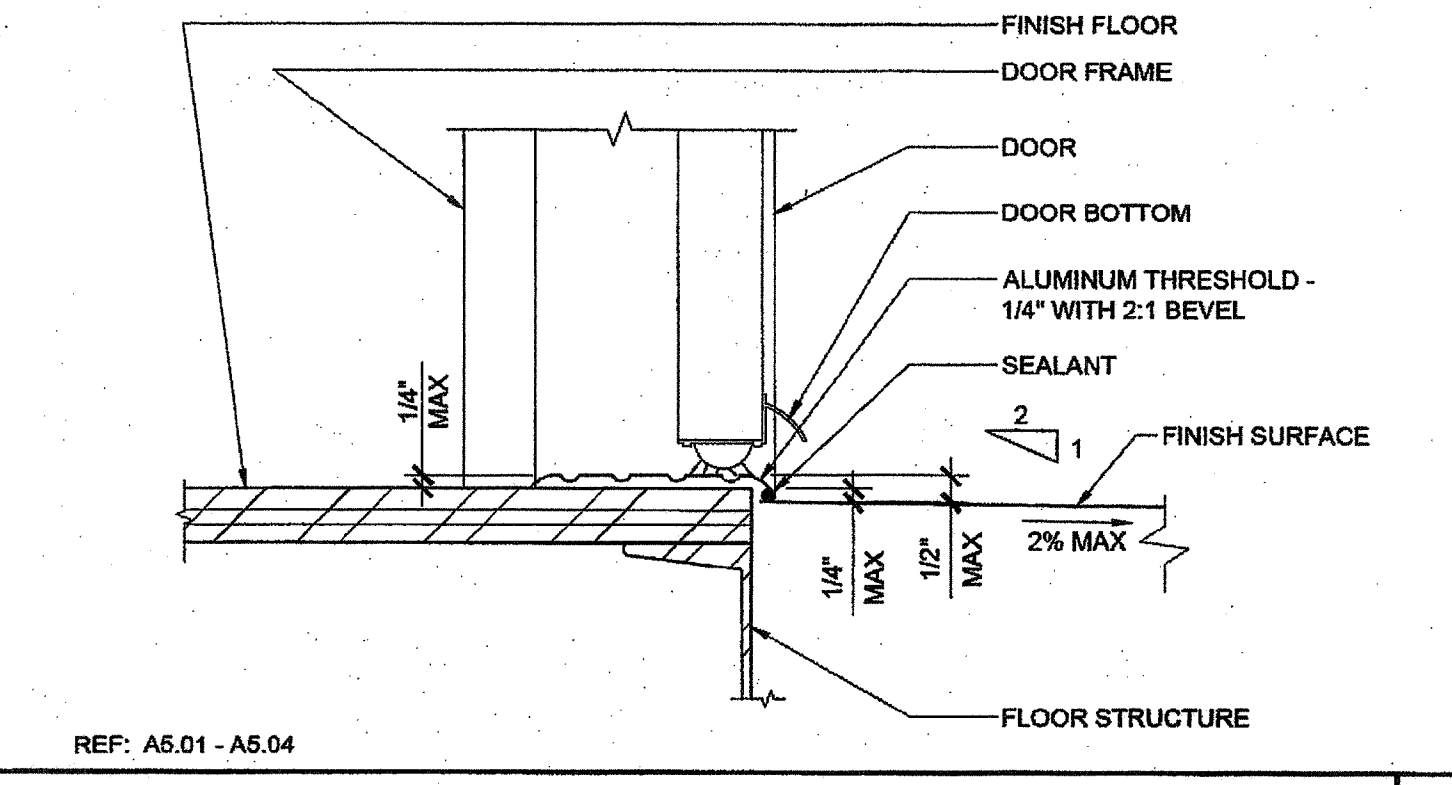
19 THRESHOLD SCALE: 3"=1'-0"



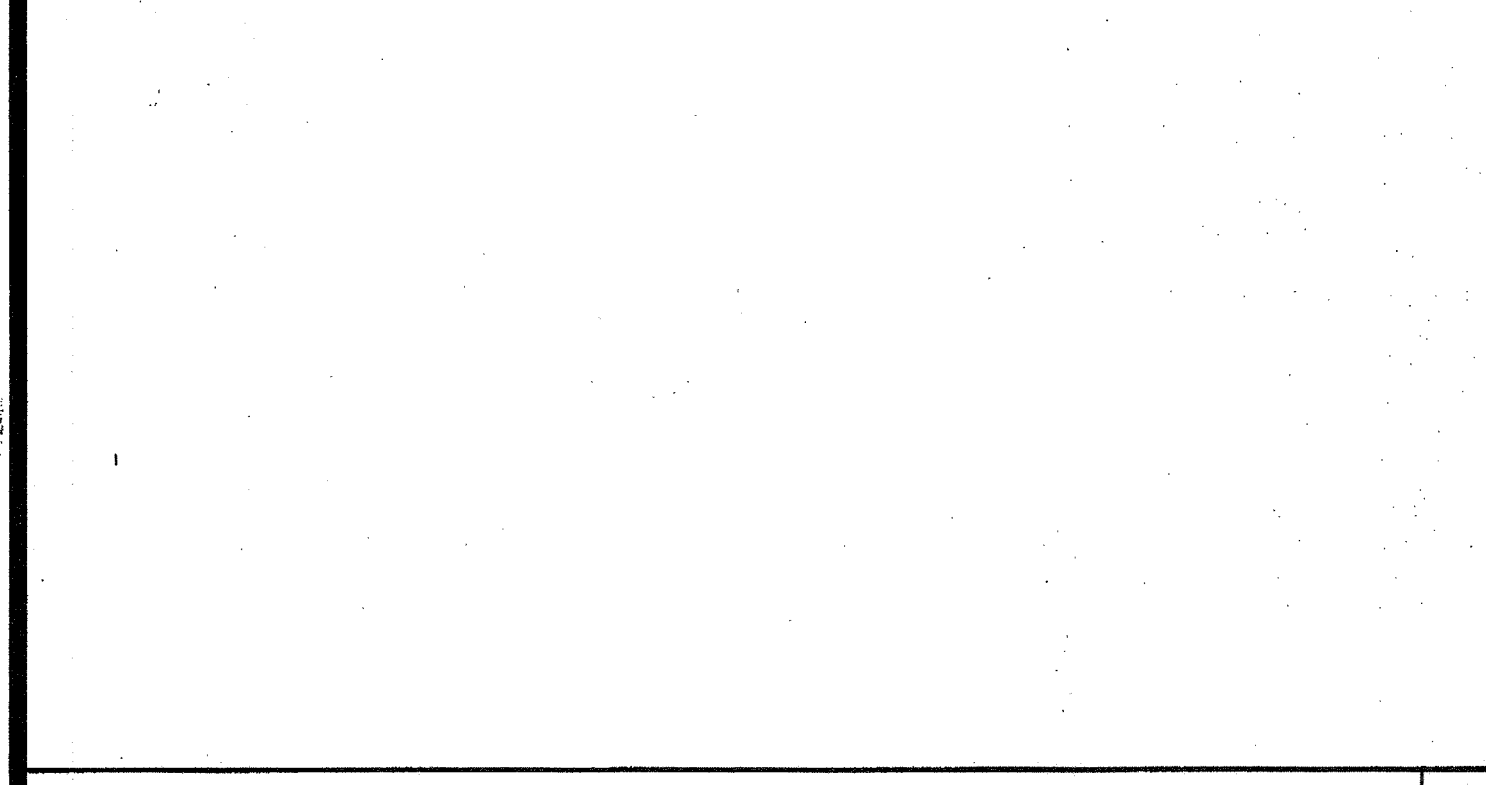
14 THRESHOLD SCALE: 3"=1'-0"



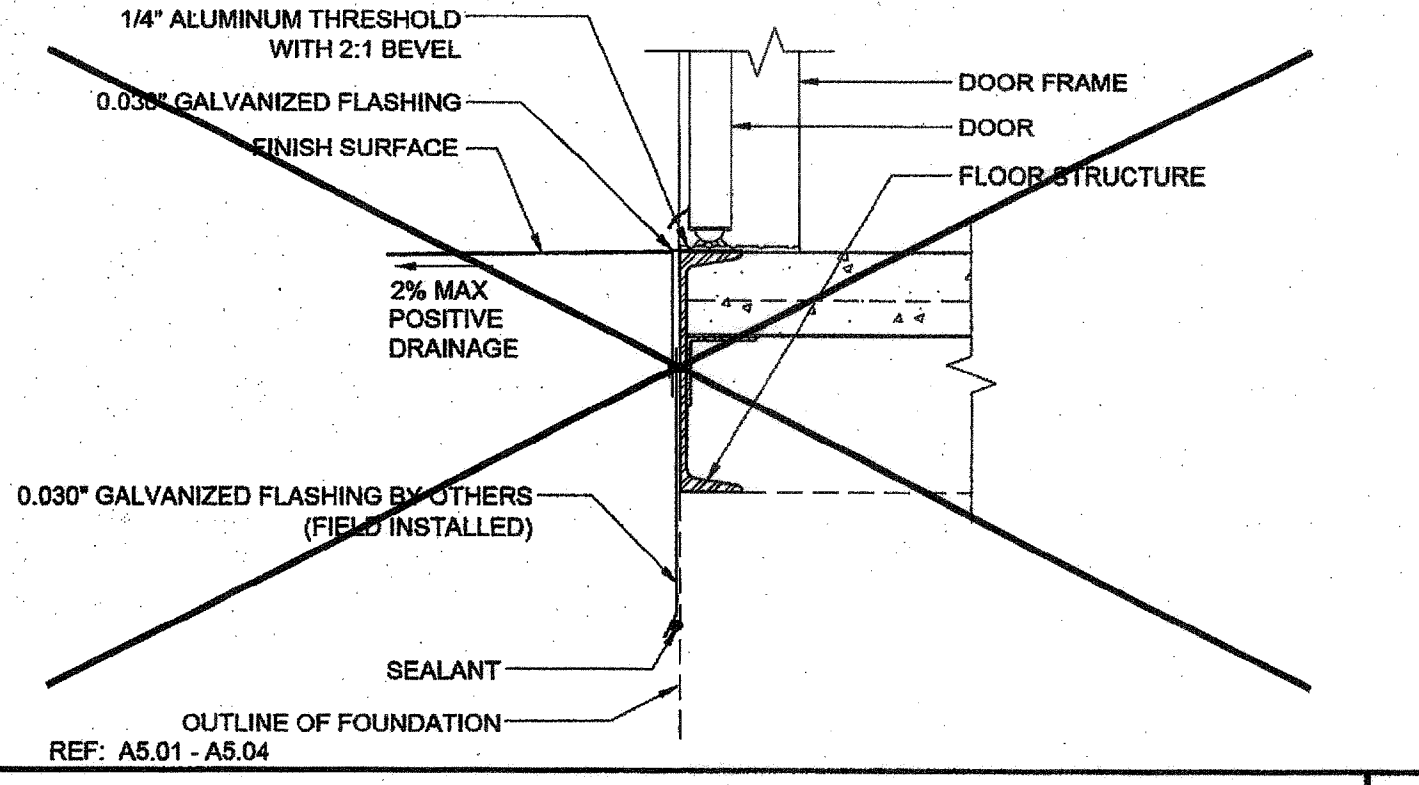
9 THRESHOLD SCALE: 3"=1'-0"



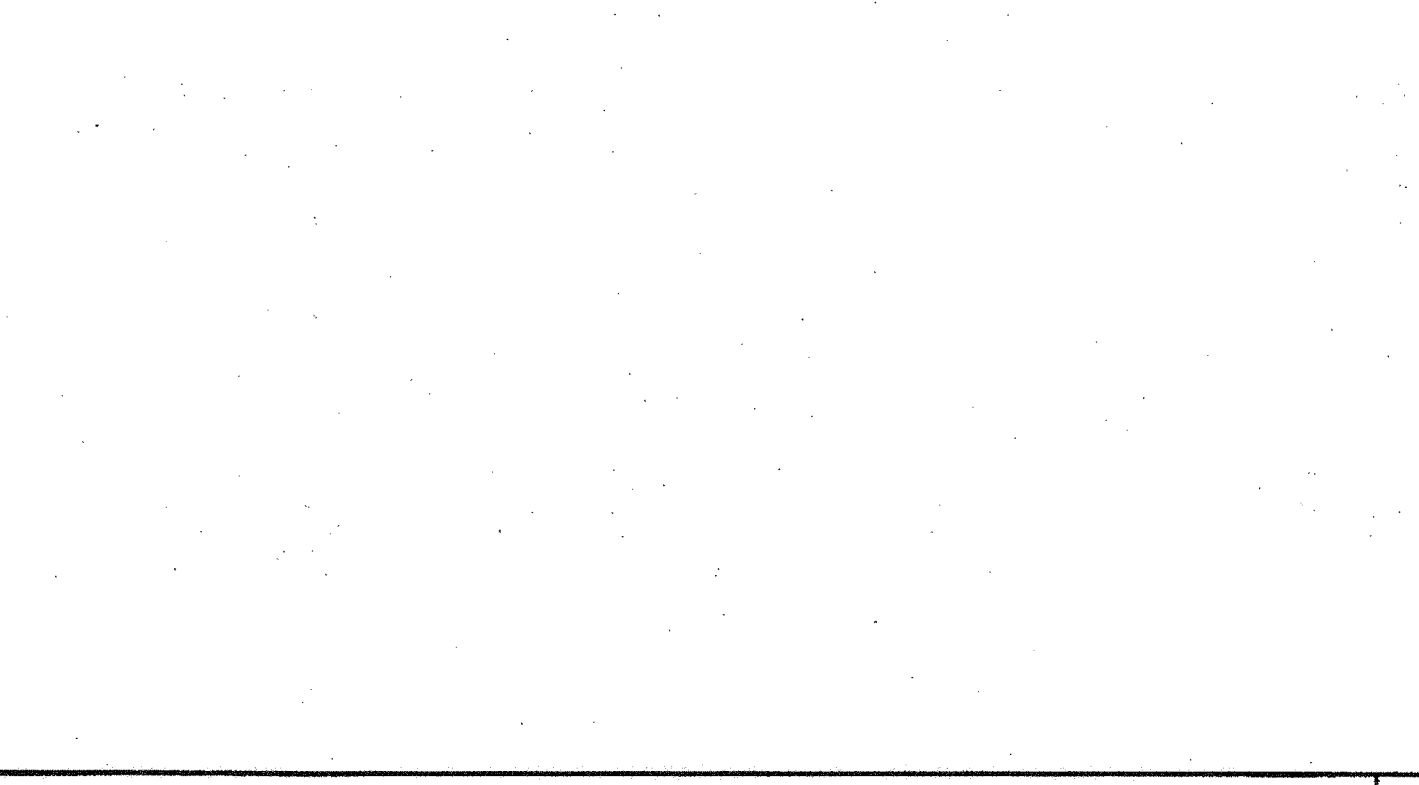
4 THRESHOLD SCALE: 3"=1'-0"



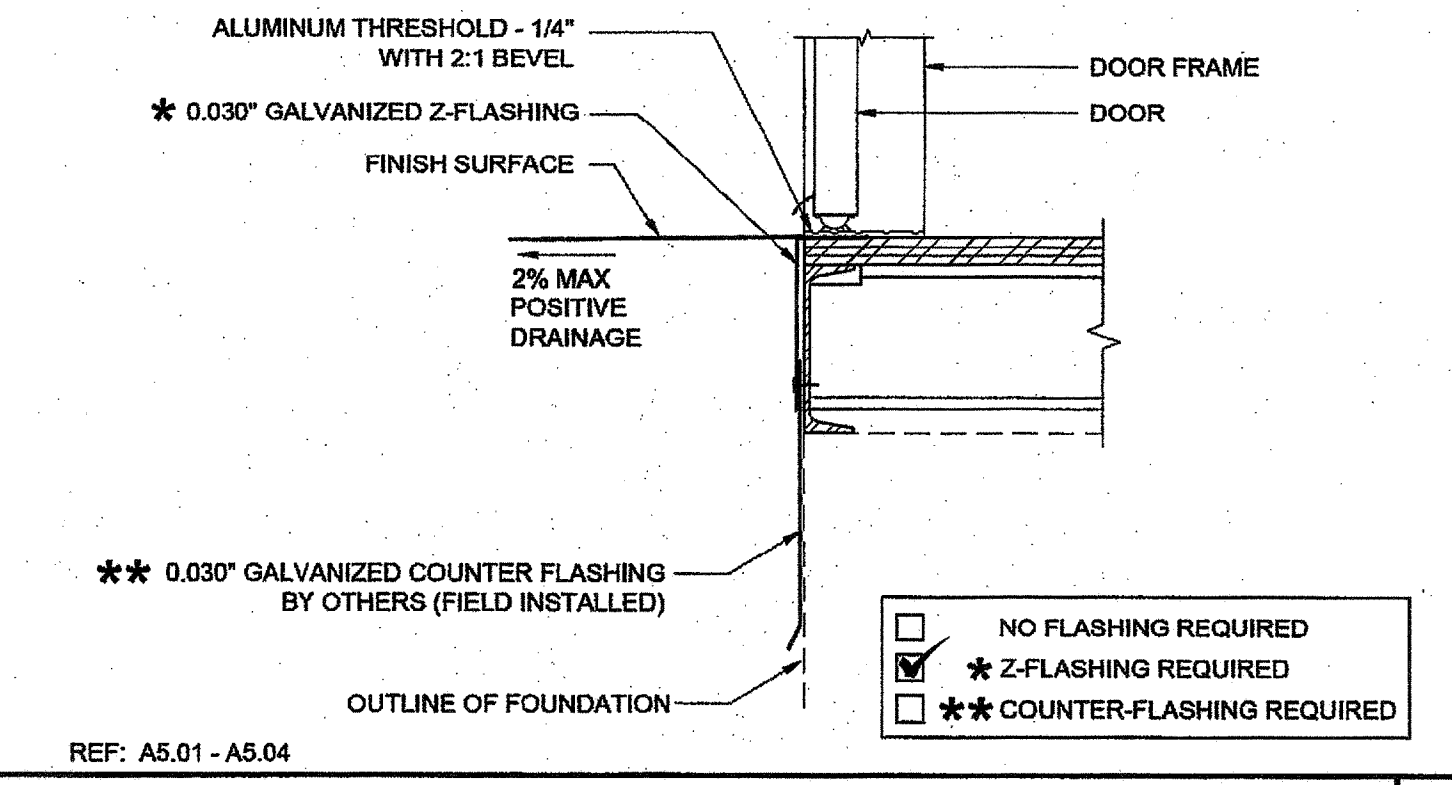
20 TYPICAL SILL AT FLOOR (CONCRETE FLOOR) SCALE: 1 1/2"=1'-0"



15 TYPICAL SILL AT FLOOR (CONCRETE FLOOR) SCALE: 1 1/2"=1'-0"



10 TYPICAL SILL AT FLOOR (WOOD FLOOR) SCALE: 1 1/2"=1'-0"



5 TYPICAL SILL AT FLOOR (WOOD FLOOR) SCALE: 1 1/2"=1'-0"