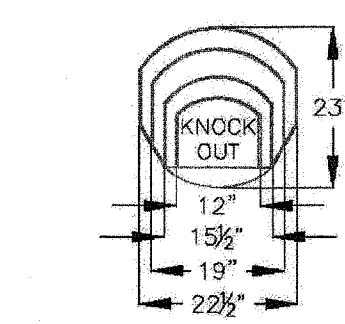
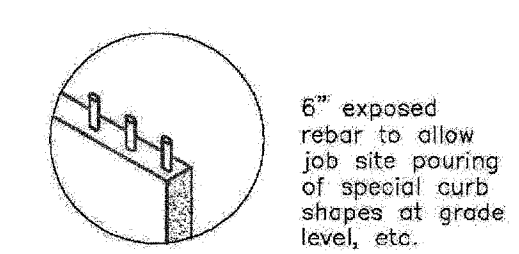
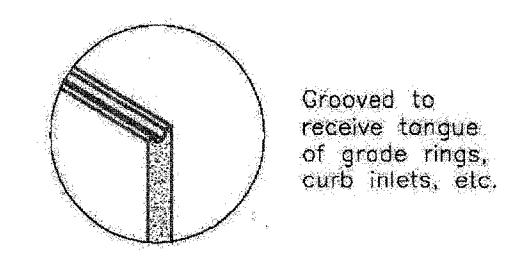
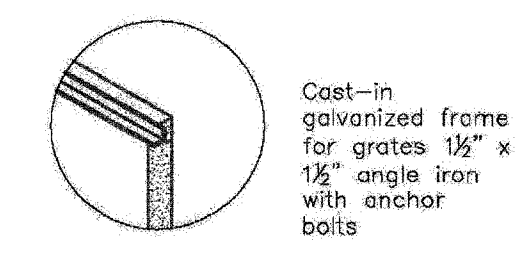
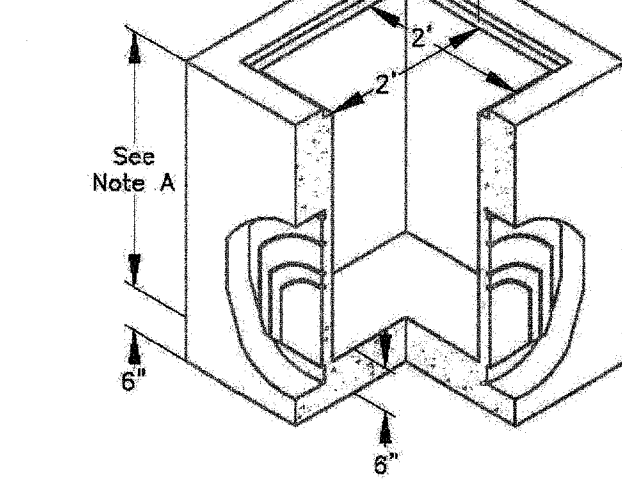
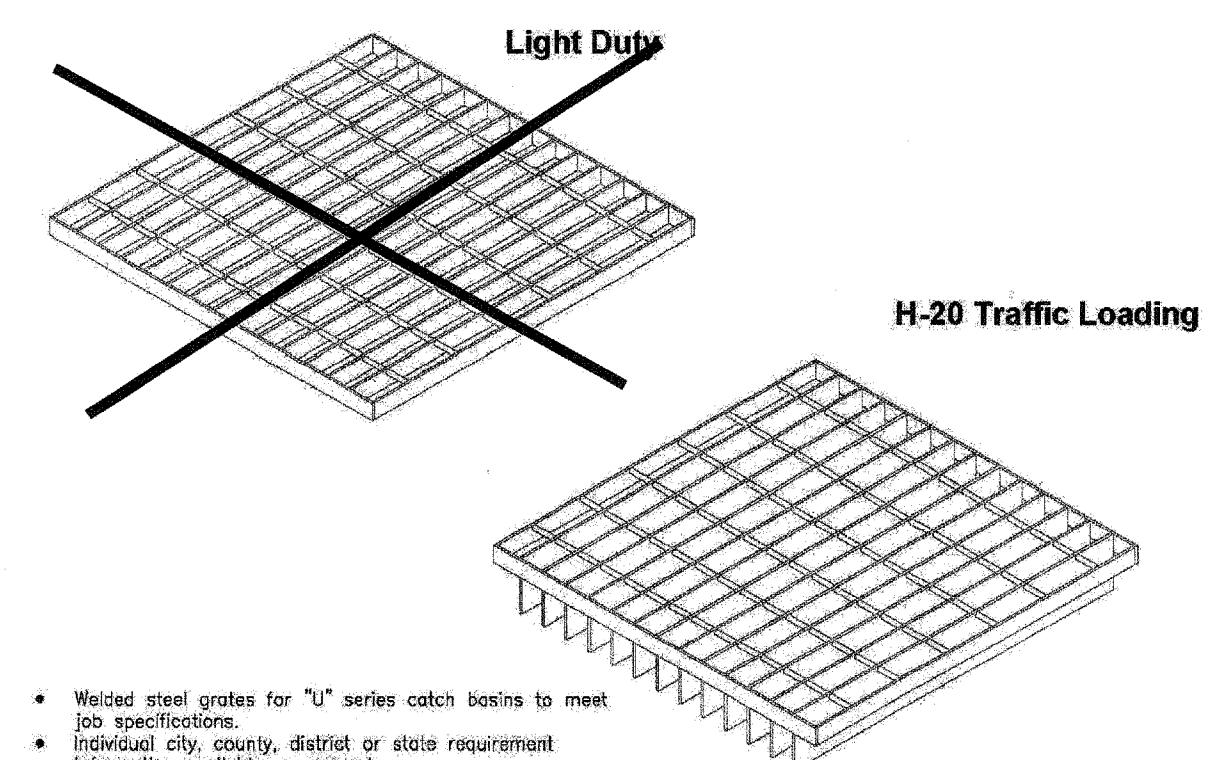


CATCH BASIN U23 BOX



- Note A: height is per job specification.
- Knock-Outs available in grade rings and catch basins.
 - Opening, locations, and sizes to job specifications.
 - With or without bottom.
 - Progressive webbed knock-outs provide maximum flexibility, permitting pipe of any size to be neatly and quickly grouted in at jobsite.
 - Standard grade rings available in 6" increments up to 4' high.
 - All reinforcing steel meets ASTM specifications as required.

CHRISTY U23 CATCH BASIN
N.T.S.

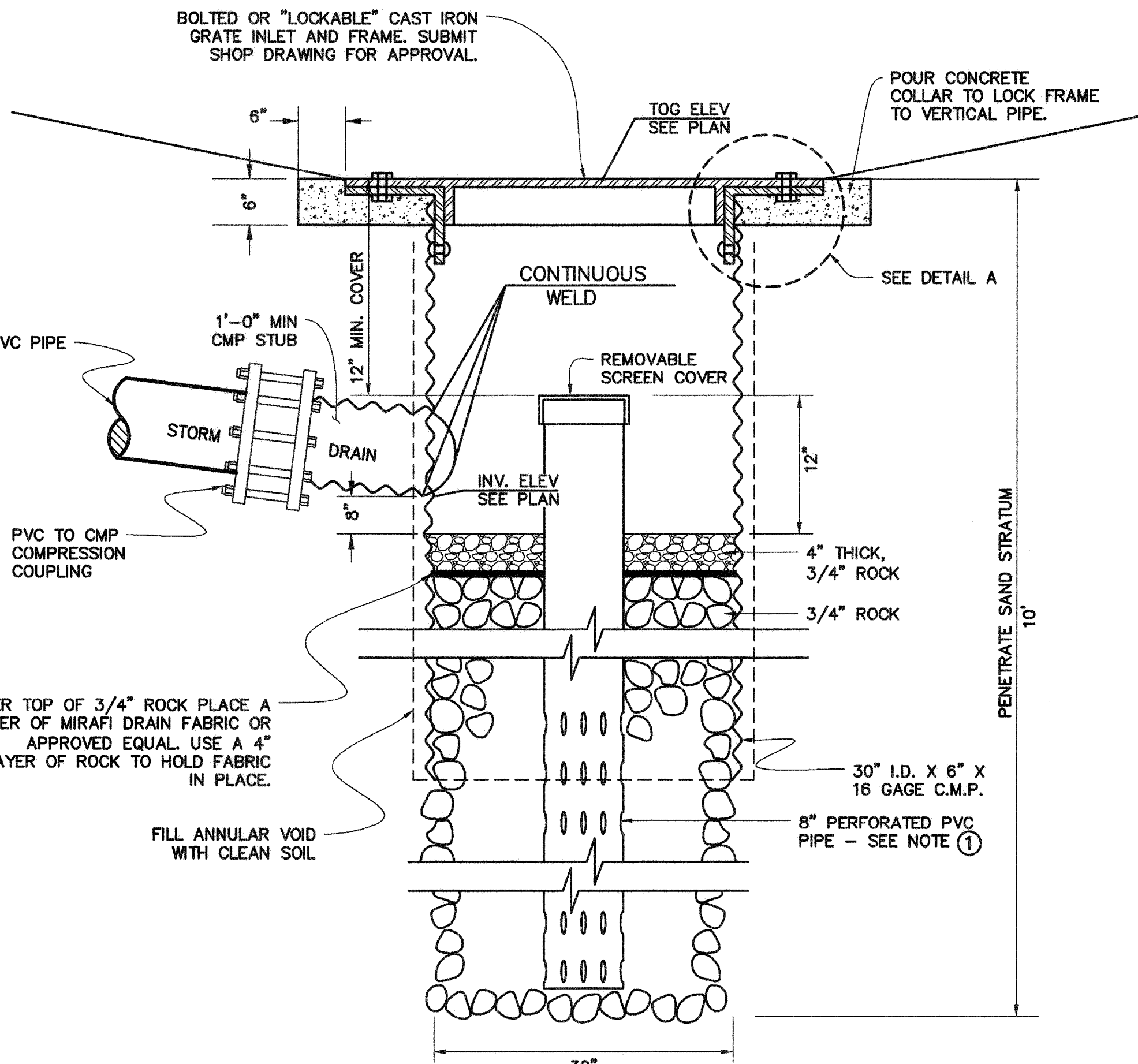
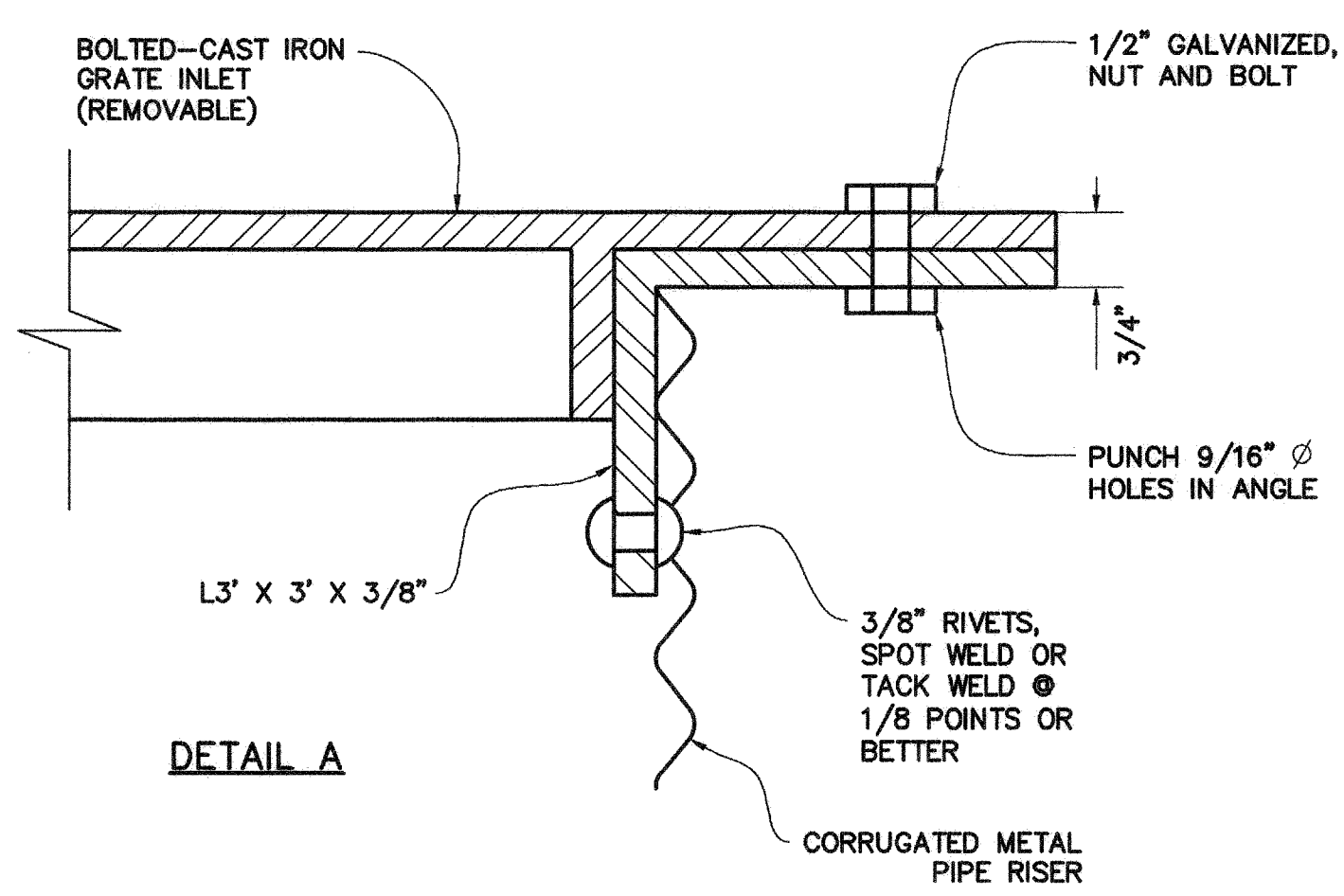


- Welded steel grates for "U" series catch basins to meet job specifications.
- Individual city, county, district or state requirement information available on request.
- See catch basin page for frame detail.
- ADA availability for all sizes.

Ordering Code	Item	Approx. Shipping Weight	Description
U21-NT	GRATE	35	26 1/2" x 26 1/2" (673 x 673 mm) welded, galvanized, non-traffic
U21-HT	GRATE	75	26 1/2" x 26 1/2" (673 x 673 mm) welded, galvanized, H/20 traffic
U32-HT	GRATE	112	26 1/2" x 38" (673 x 965 mm) welded, galvanized, H/20 traffic
U36-HT	GRATE	155	26 1/2" x 50" (673 x 1270 mm) welded, galvanized, H/20 traffic
U43-HT	GRATE	232	35 1/2" x 43" (902 x 1016 mm) welded, galvanized, H/20 traffic
U52-HT	GRATE	280	40" x 43 1/2" (1016 x 1100 mm) welded, galvanized, H/20 traffic

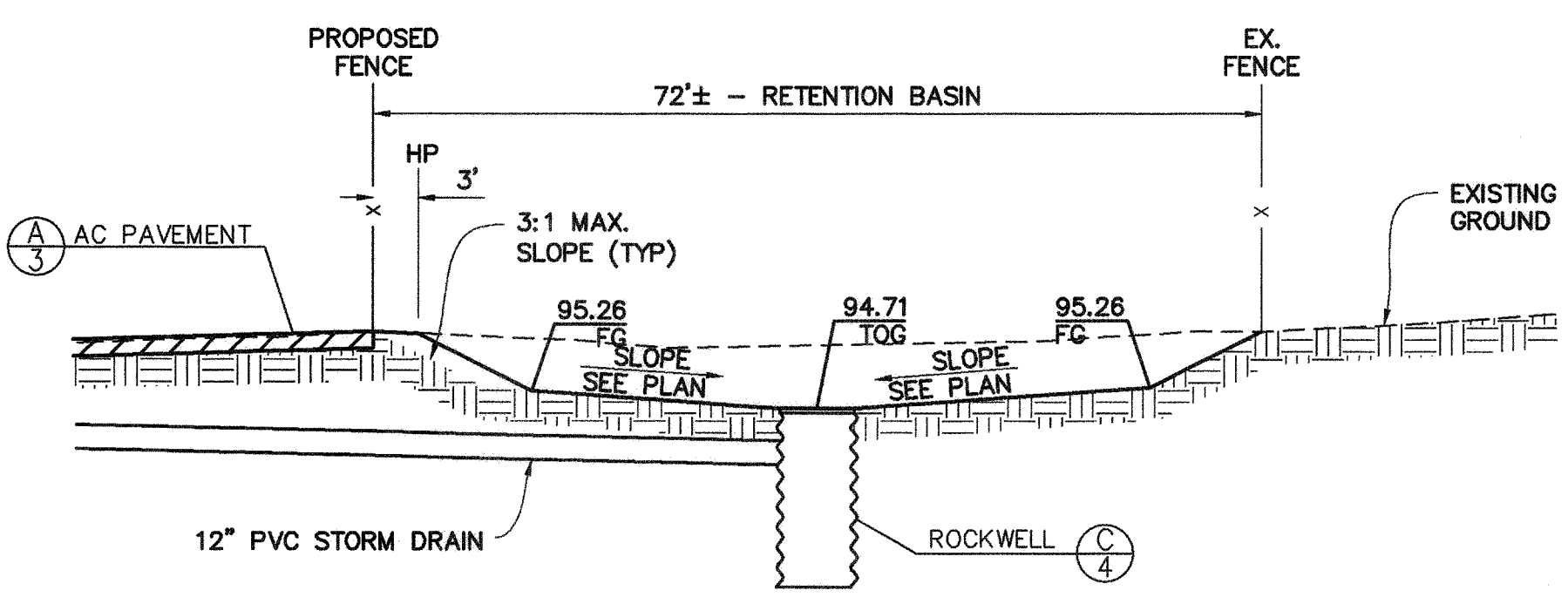
All grates are galvanized, bicycle proof, and bolt down

CHRISTY WELDED STEEL GRATE
N.T.S.

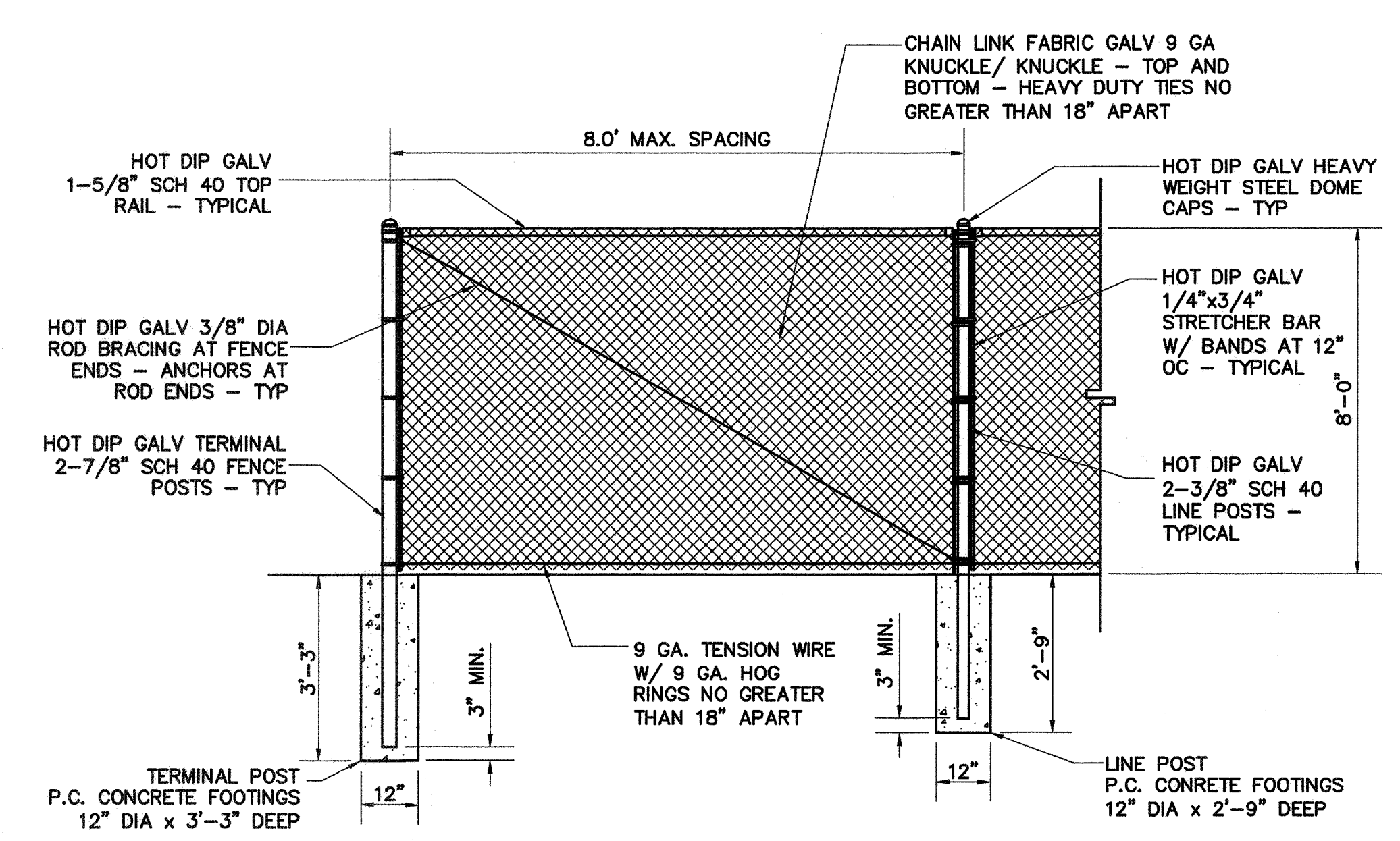


ROCKWELL DETAIL NOTES SECTION
 ① EXTEND CENTER PIPE OF ROCKWELL TO BOTTOM OF BORING. CENTER PIPE SHALL BE DR64 WITH GLUED JOINTS. PORTION OF PIPE ABOVE FABRIC SHALL NOT BE PERFORATED.

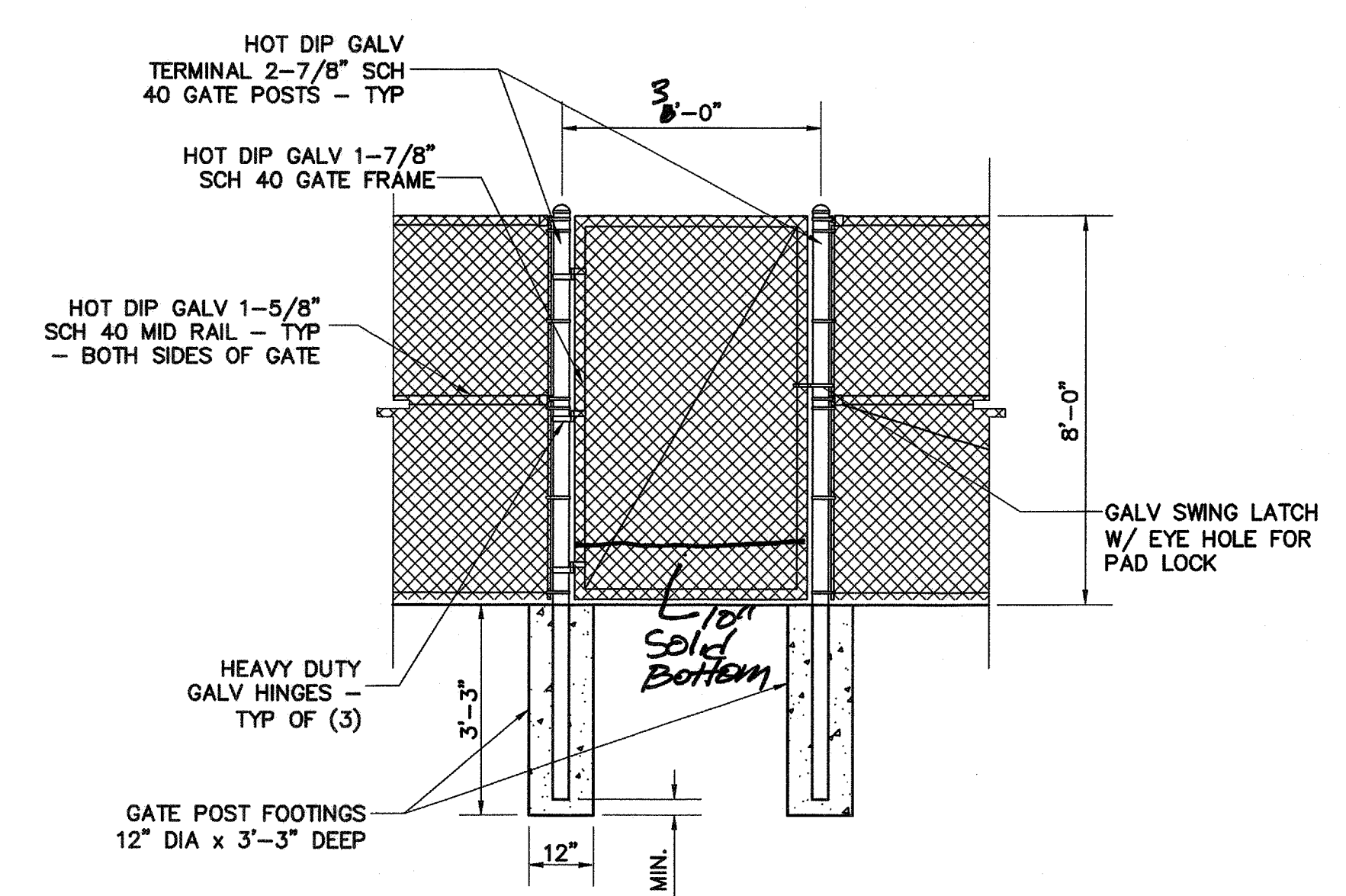
ROCKWELL
N.T.S.



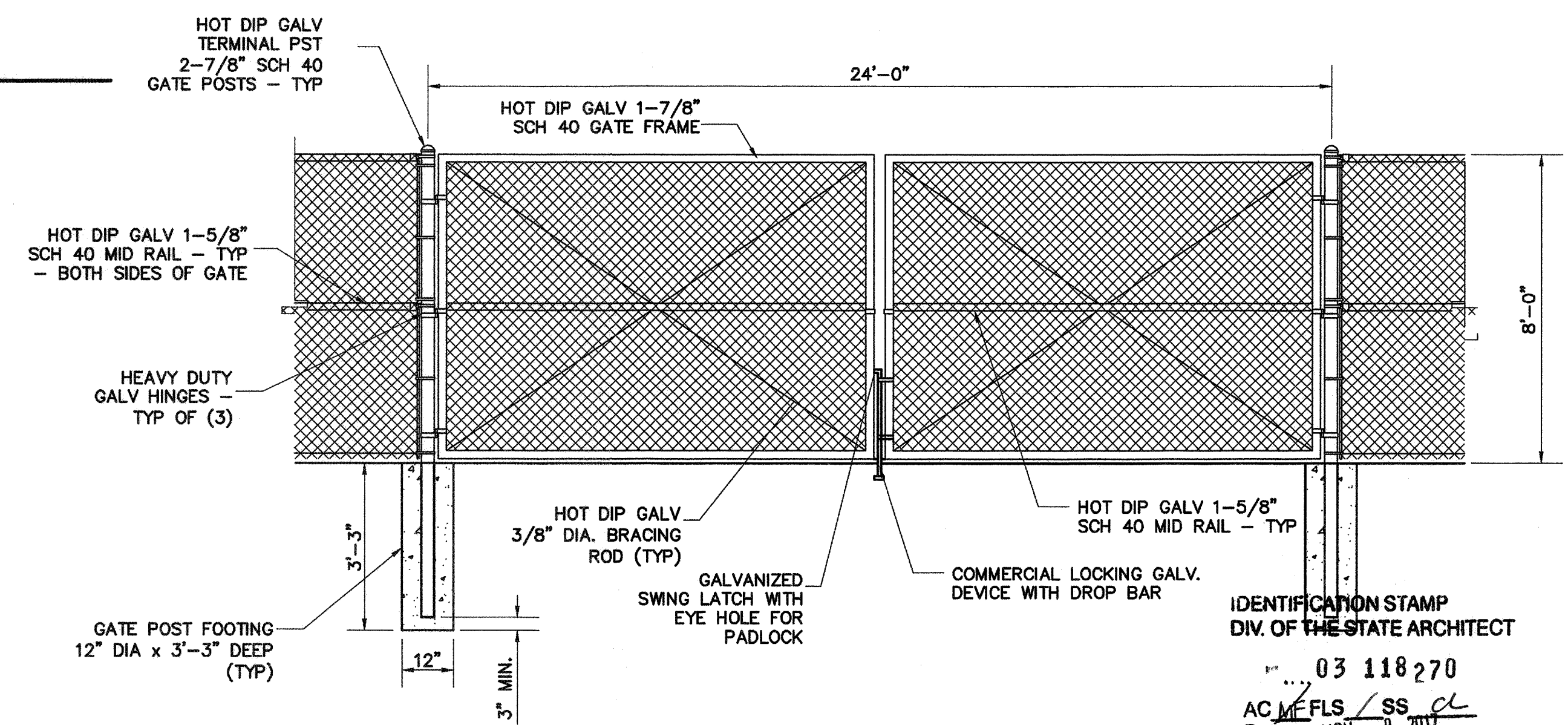
SECTION - RETENTION BASIN
N.T.S.



CHAIN LINK FENCE PANELS
N.T.S.



WIDE CHAIN LINK GATE
N.T.S.



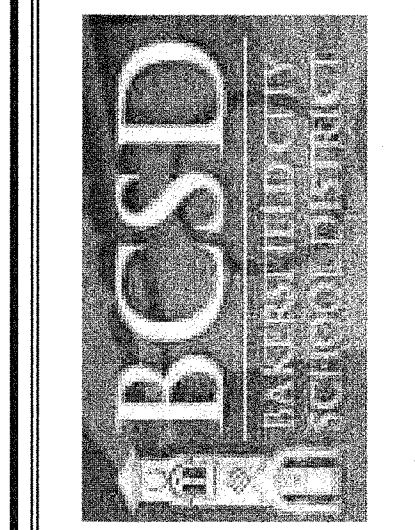
24' WIDE DOUBLE SWING GATE
N.T.S.



LAV//Pinnacle Engineering
 5401 Business Park South, Suite 204, Bakersfield, CA 93309
 Phone: (661) 869-0184 Fax: (661) 377-0076

REVISIONS	DATE
6-14-17	08/20/17
6-14-17	08/20/17
6-14-17	08/20/17

**DETAILS & TYPICAL SECTIONS
 GRADING & SITE IMPROVEMENT PLAN
 FOR NEW PARKING LOT
 FREMONT ELEMENTARY SCHOOL
 607 TEXAS STREET**



JOB No.:	17-776
DWG No.:	GRADING
DATE:	08/14/2017
DRAWN BY:	ADA
CHECKED BY:	MKV
SHEET	4

OF 6 SHEETS

IDENTIFICATION STAMP
 DIV. OF THE STATE ARCHITECT
 03 118 270
 AC MFLS/SS
 Date NOV - 8 2017