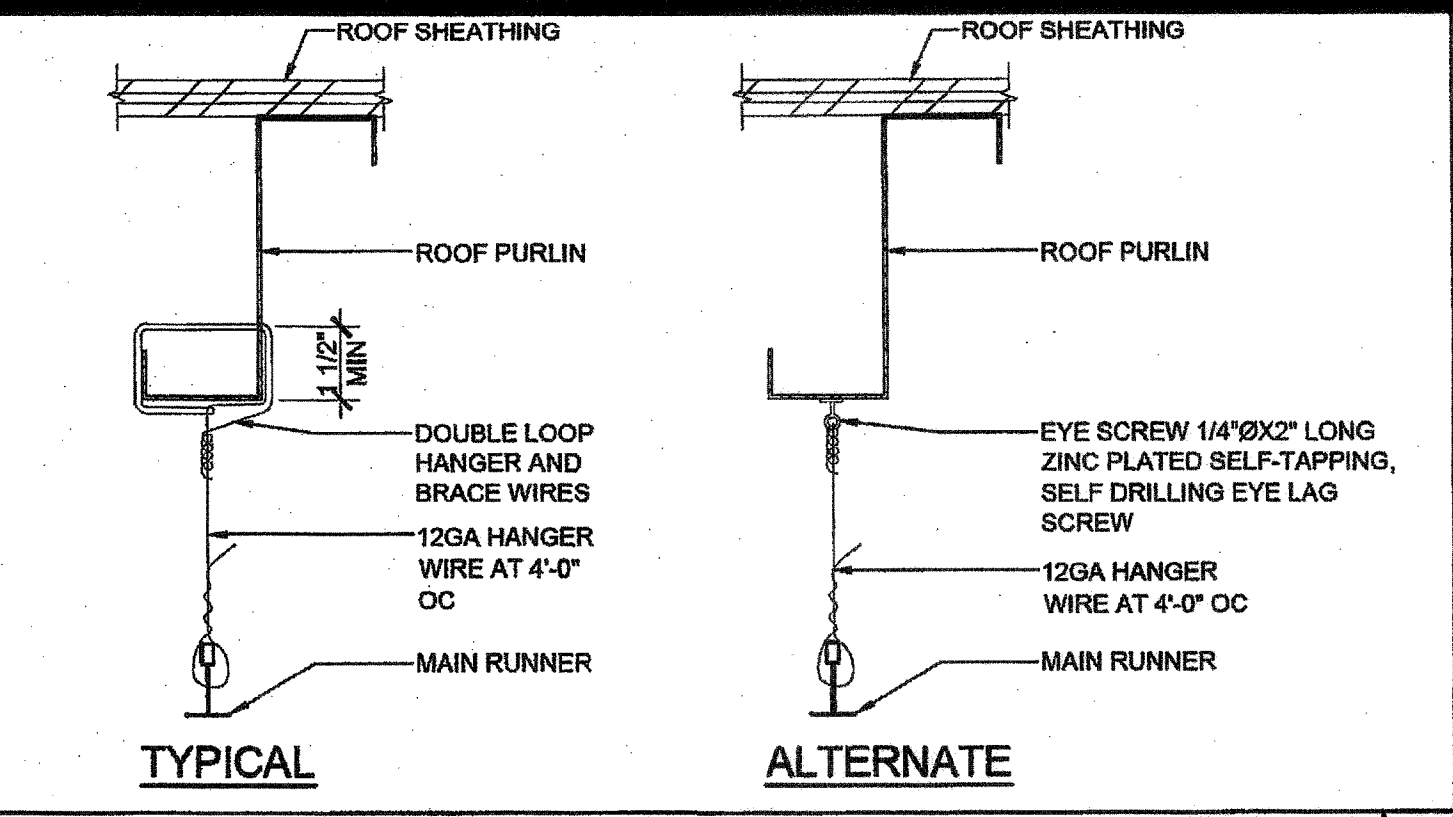
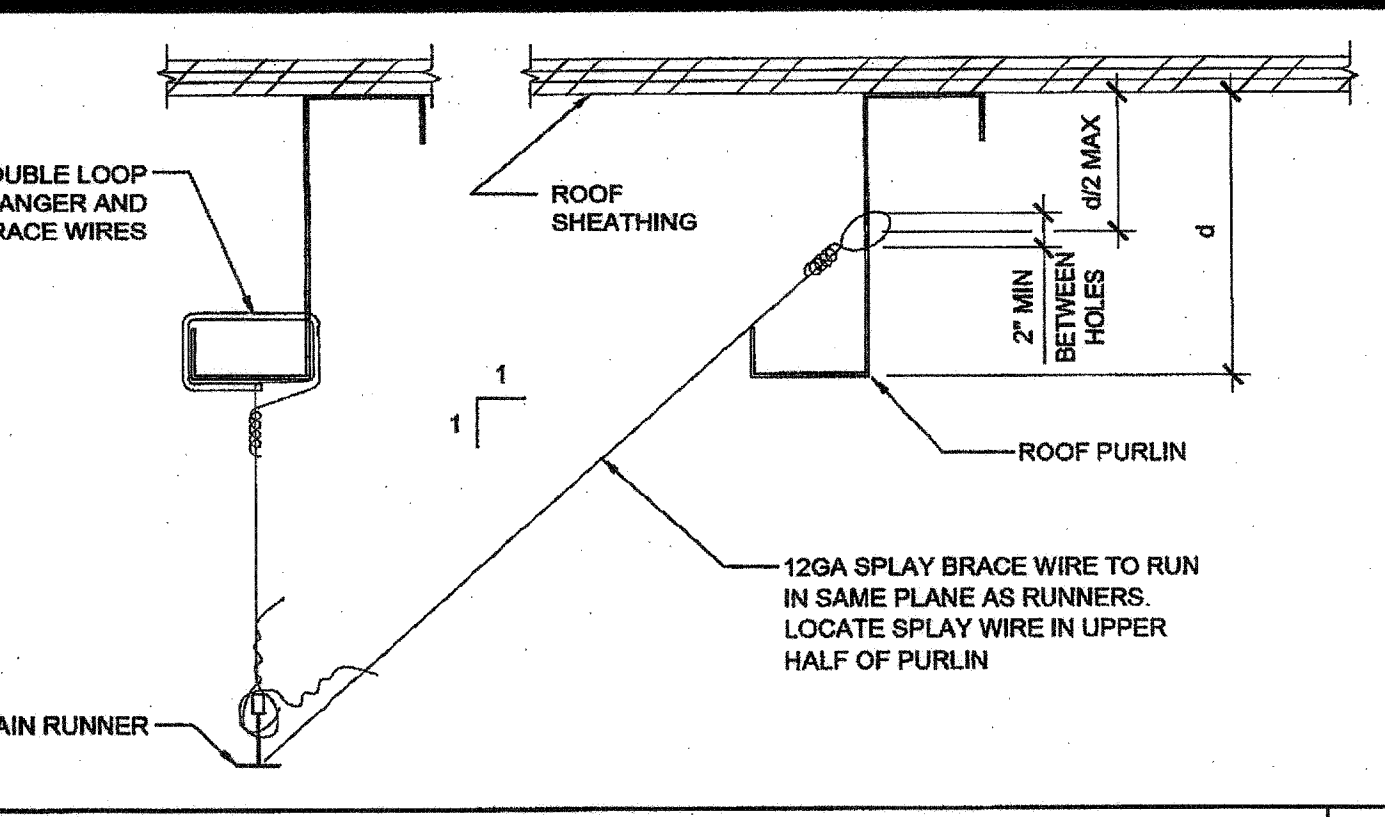


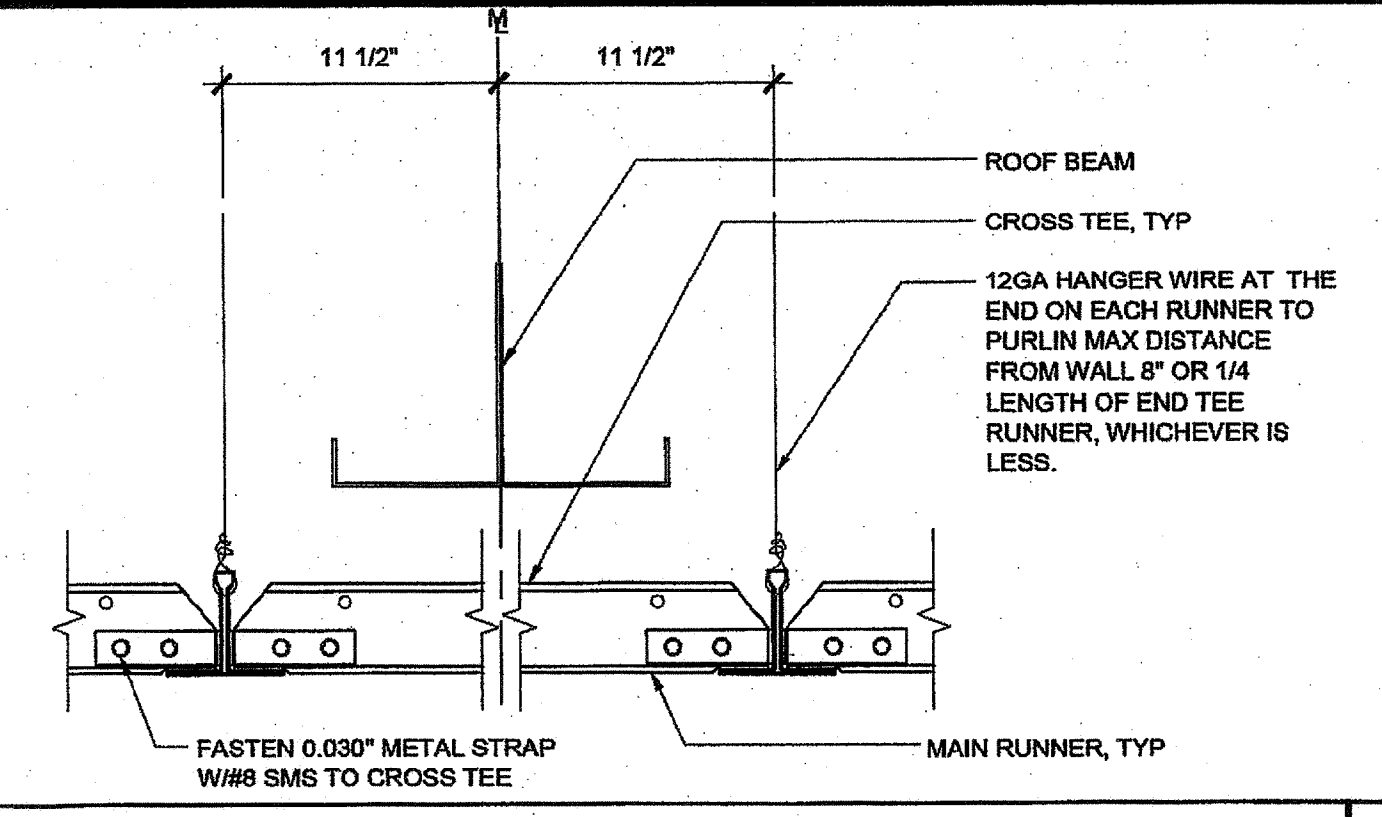
ATTIC DRAFT STOP SCALE: N.T.S. 16



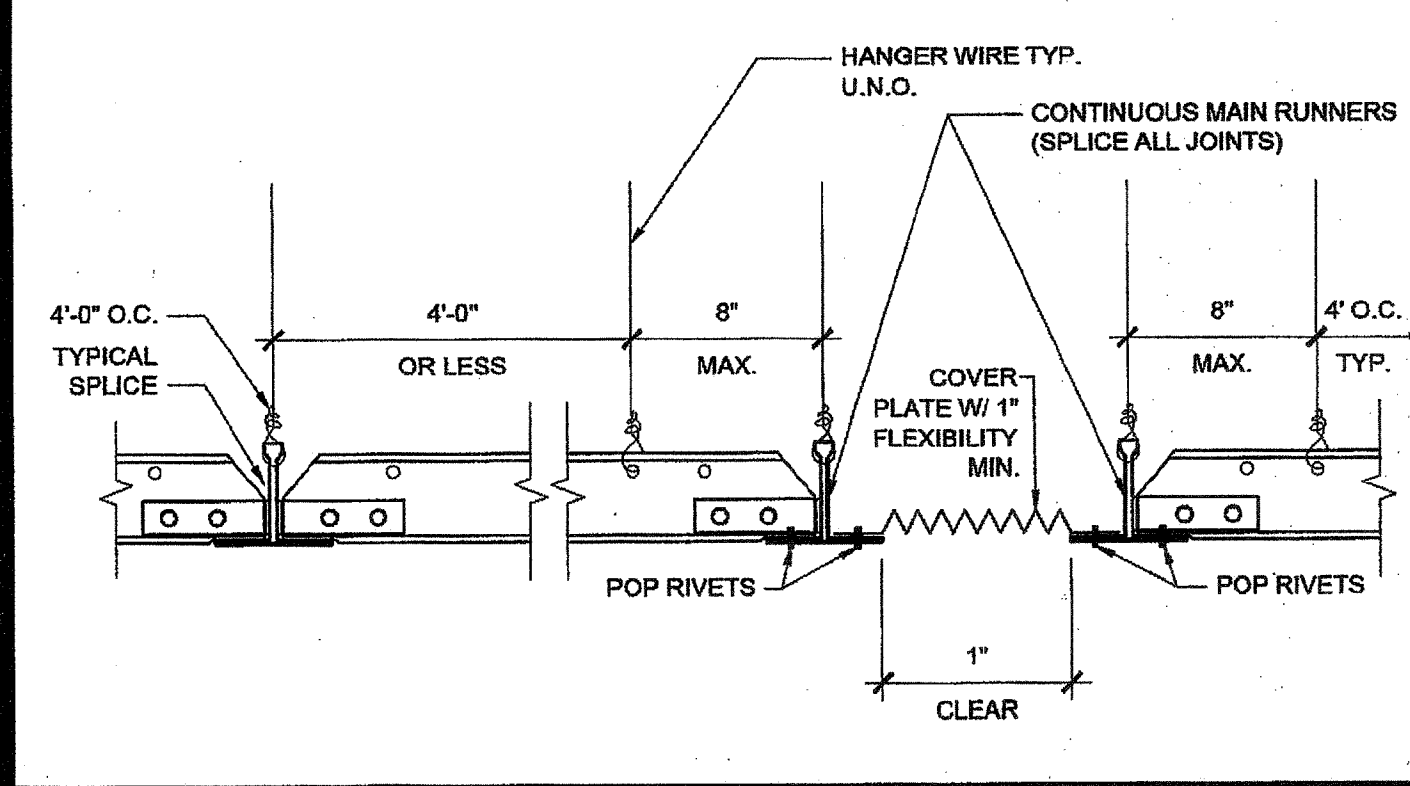
HANGER WIRE DETAIL SCALE: 3/8"=1'-0" 11



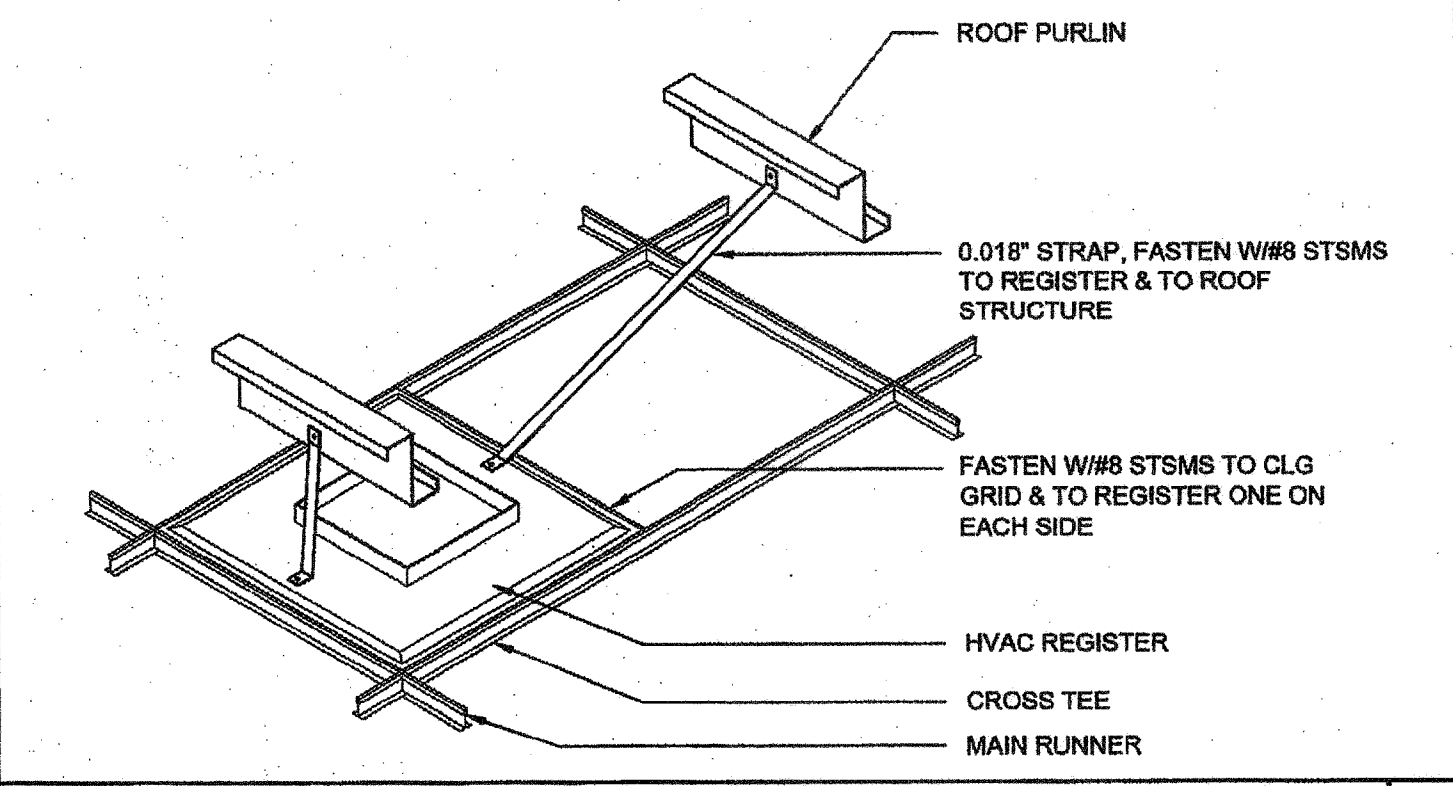
SPRAY BRACING WIRE SCALE: 3/8"=1'-0" 6



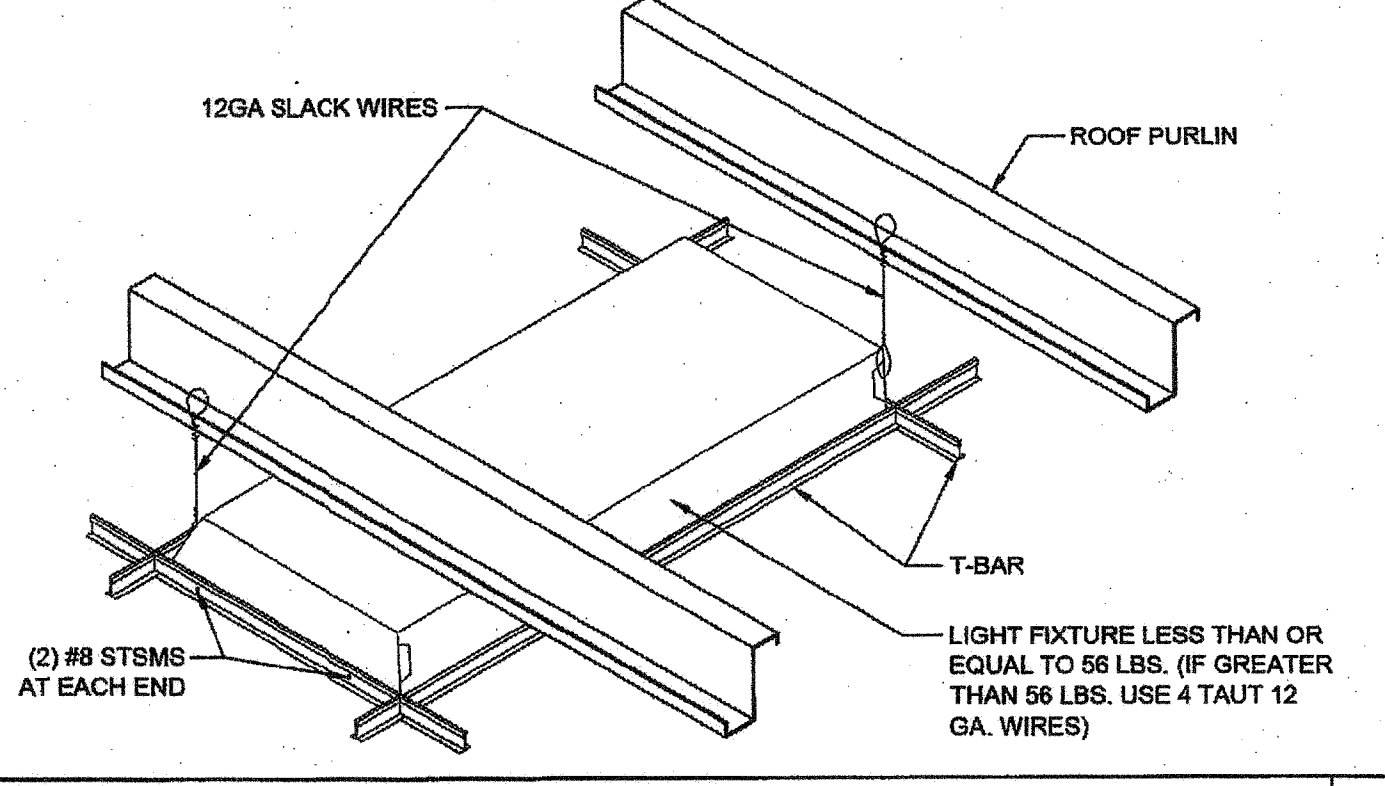
GRID AT MODLINE SCALE: 3/8"=1'-0" 1



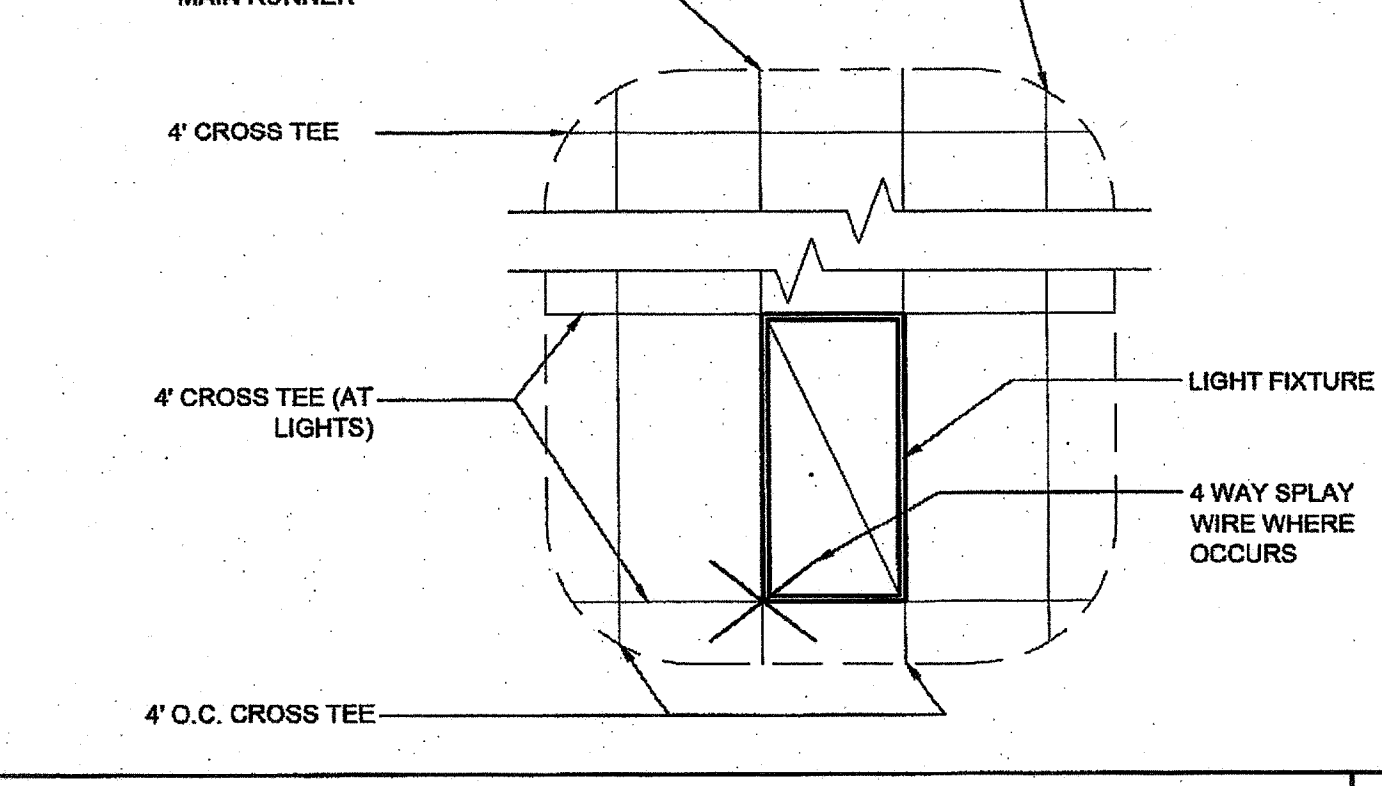
GRID SEISMIC SEPARATION JOINT SCALE: 3/8"=1'-0" 17



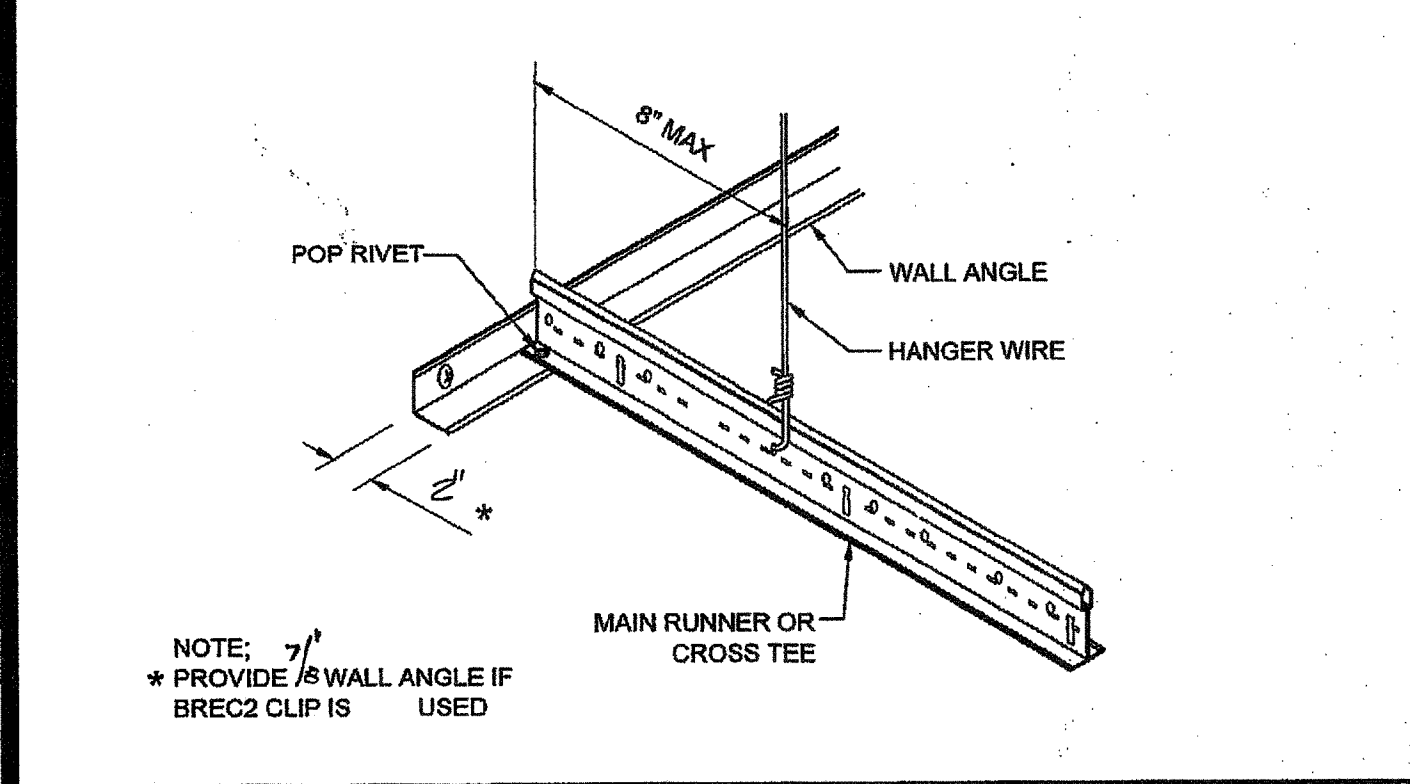
HVAC REGISTER MOUNTING SCALE: N.T.S. 12



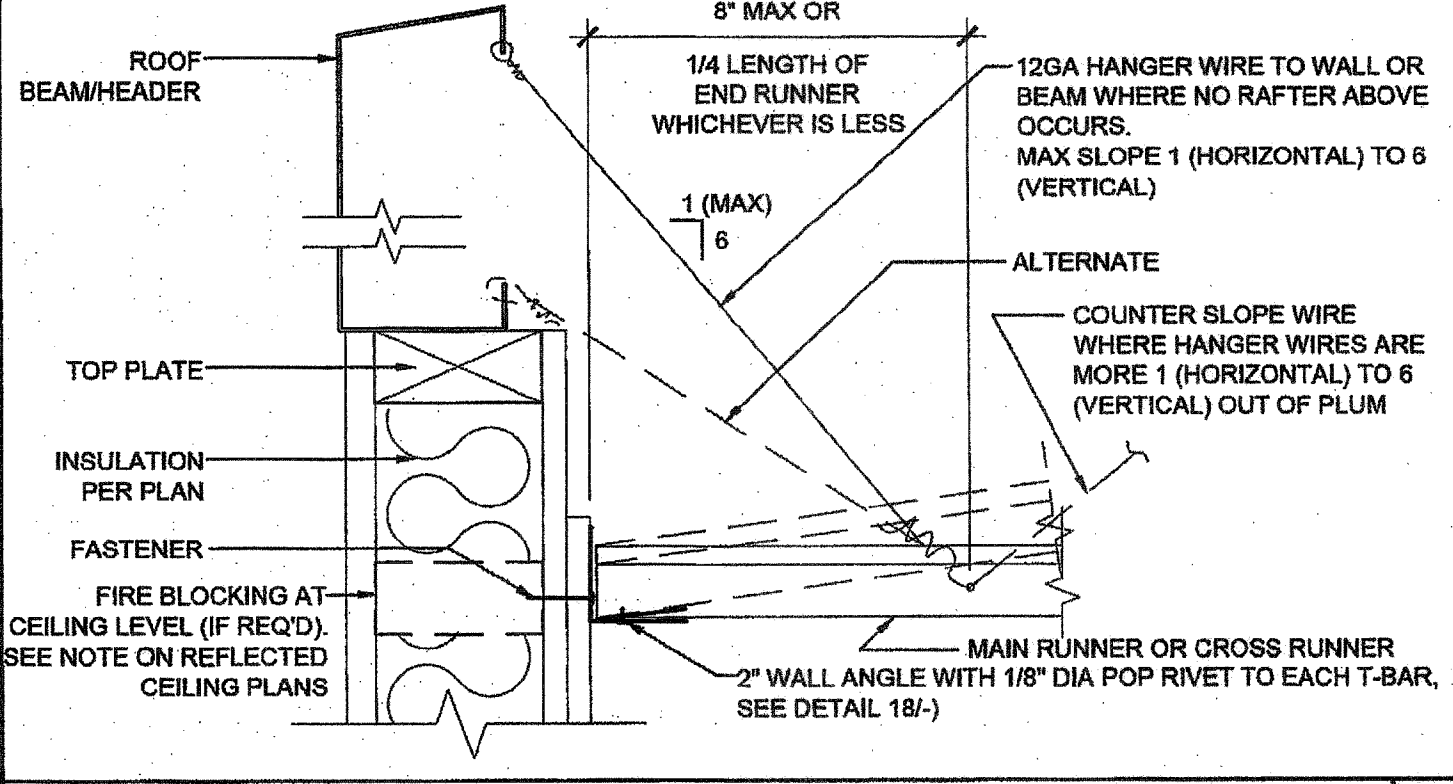
LIGHT FIXTURE MOUNTING SCALE: N.T.S. 7



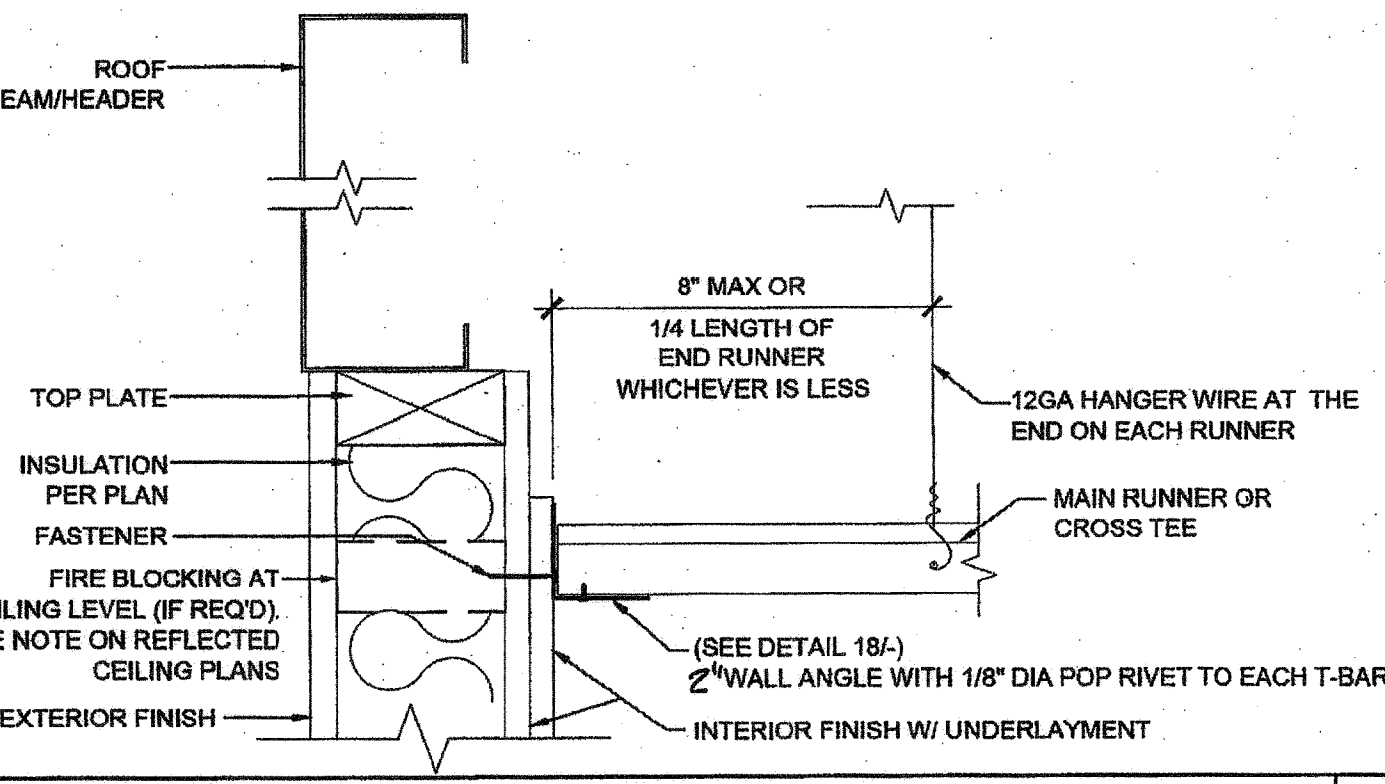
4' CROSS TEE AT LIGHTS SCALE: 3/8"=1'-0" 2



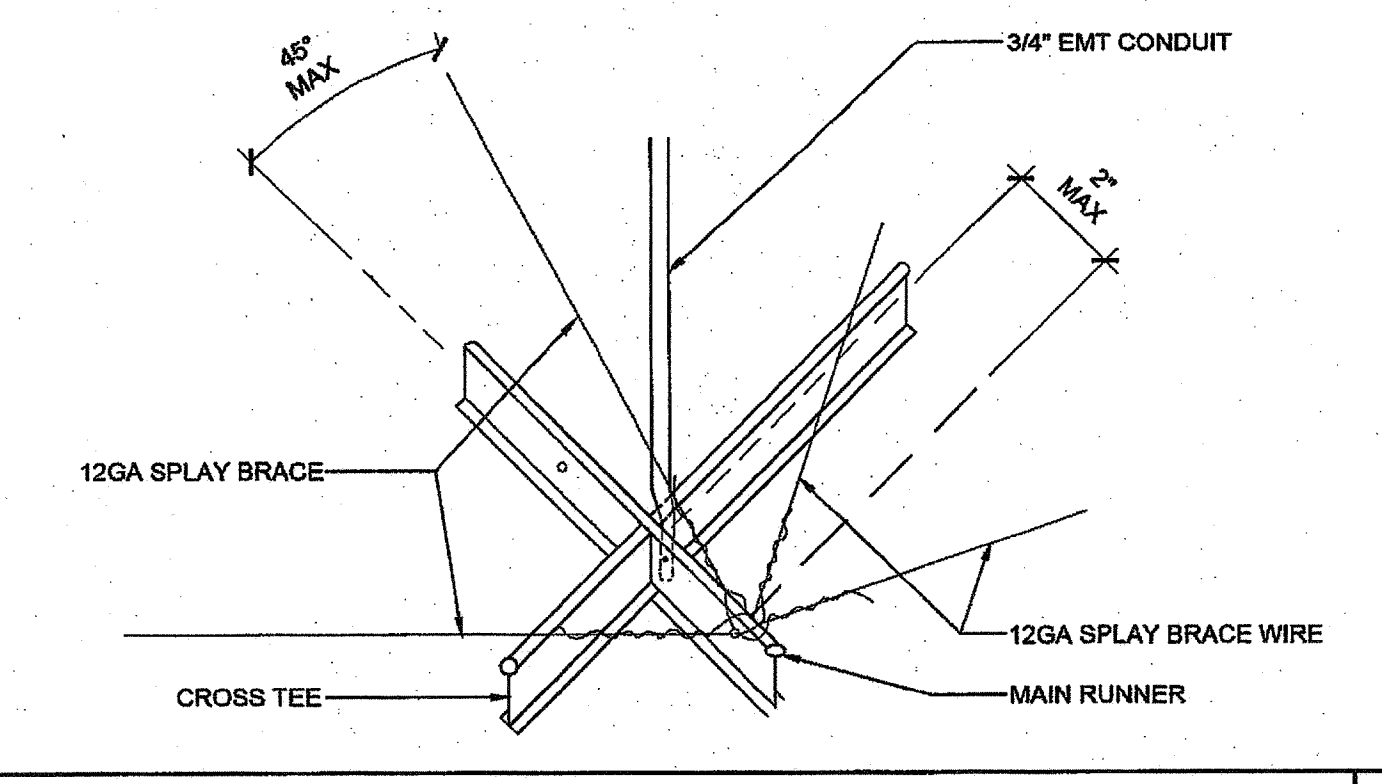
FIXED SIDE SCALE: N.T.S. 18



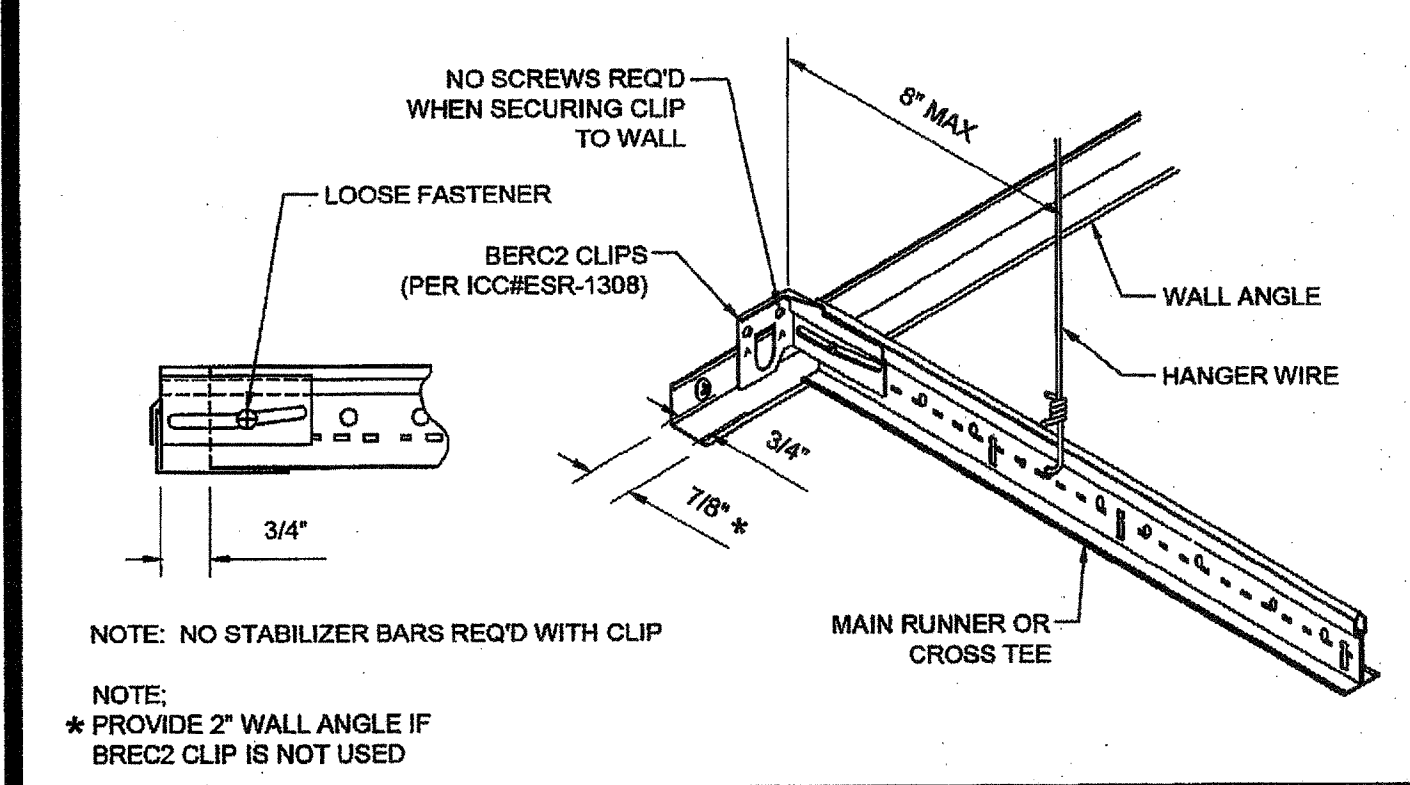
FIXED SIDE (ENDWALL) SCALE: 3/8"=1'-0" 13



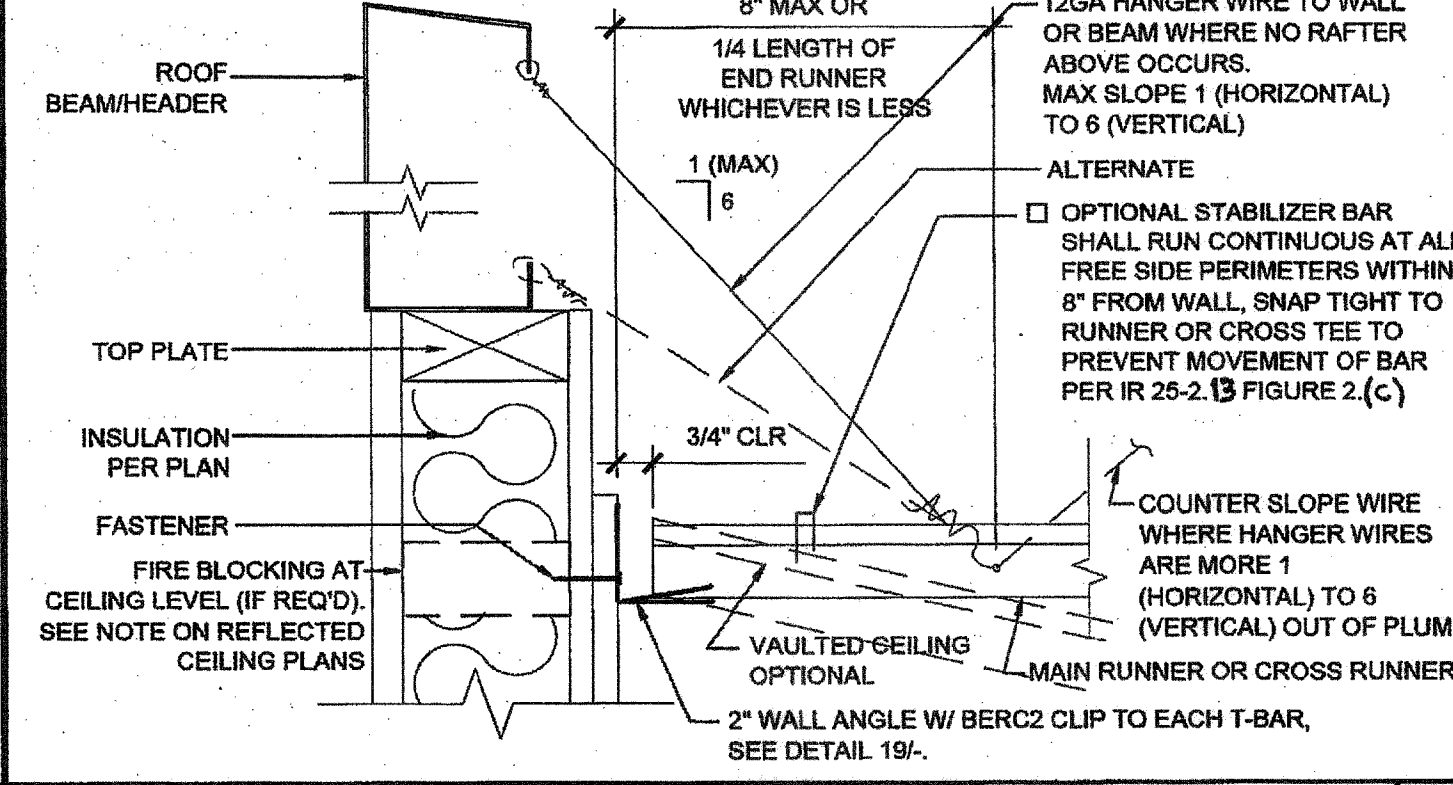
FIXED SIDE (SIDEWALL) SCALE: 3/8"=1'-0" 8



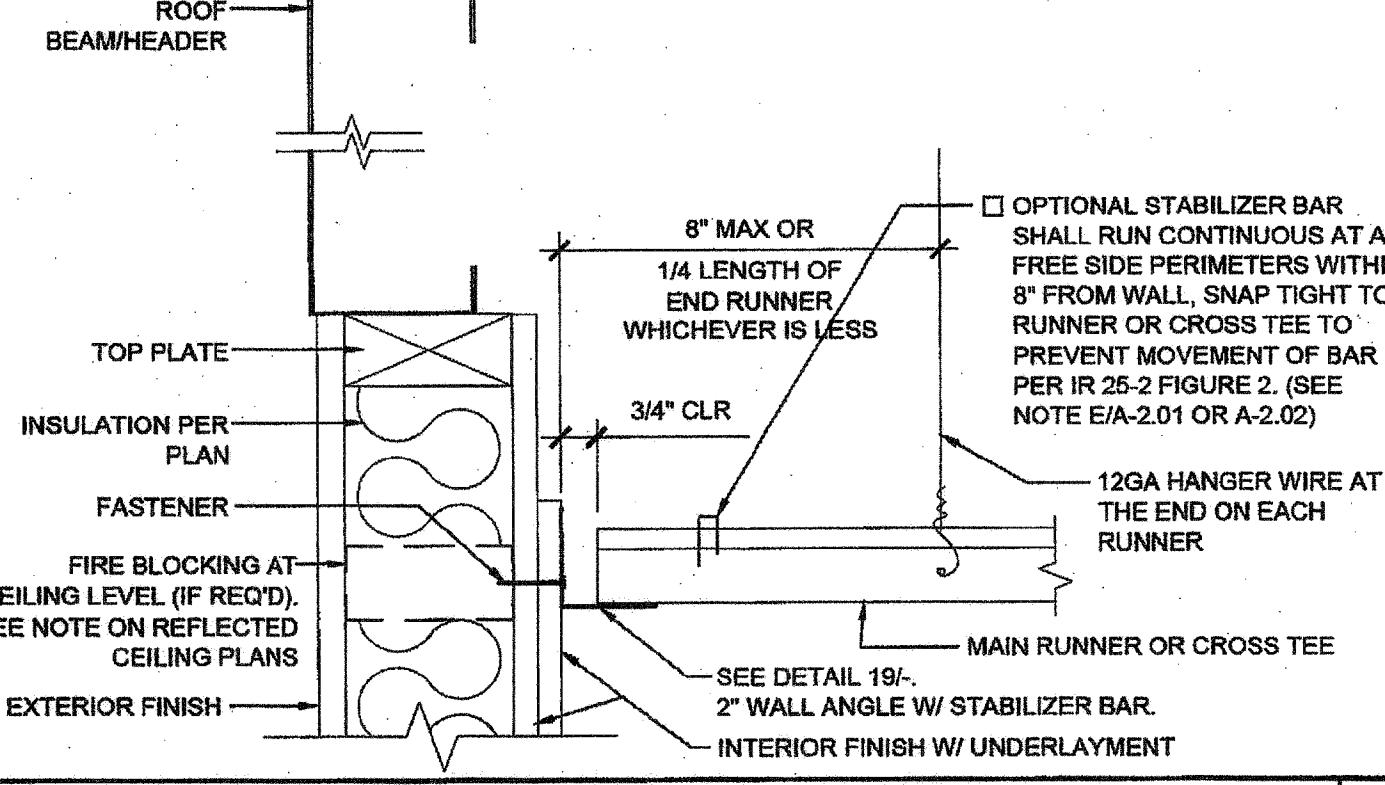
SEISMIC SPLAY - 4 WAY SCALE: N.T.S. 3



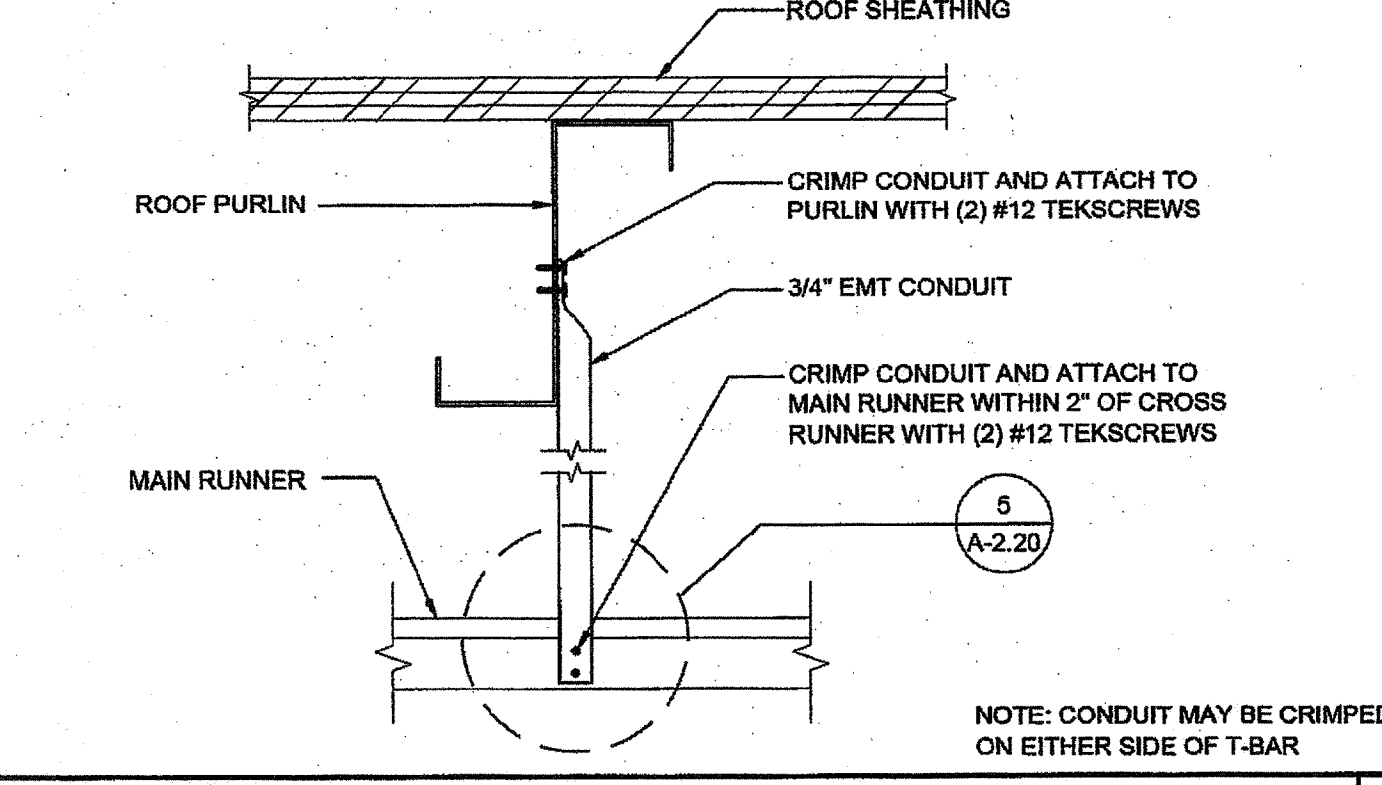
FREE SIDE SCALE: N.T.S. 19



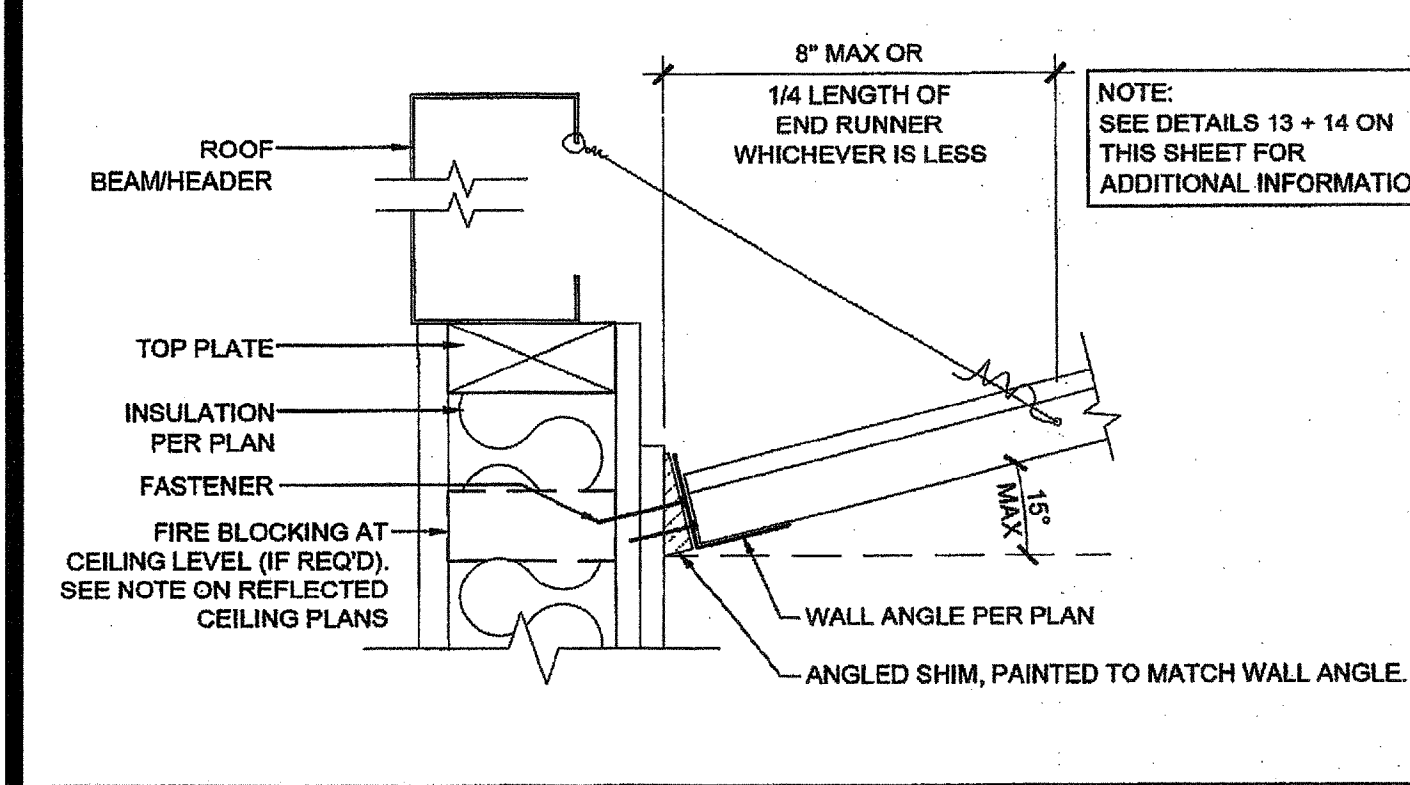
FREE SIDE (ENDWALL) SCALE: 3/8"=1'-0" 14



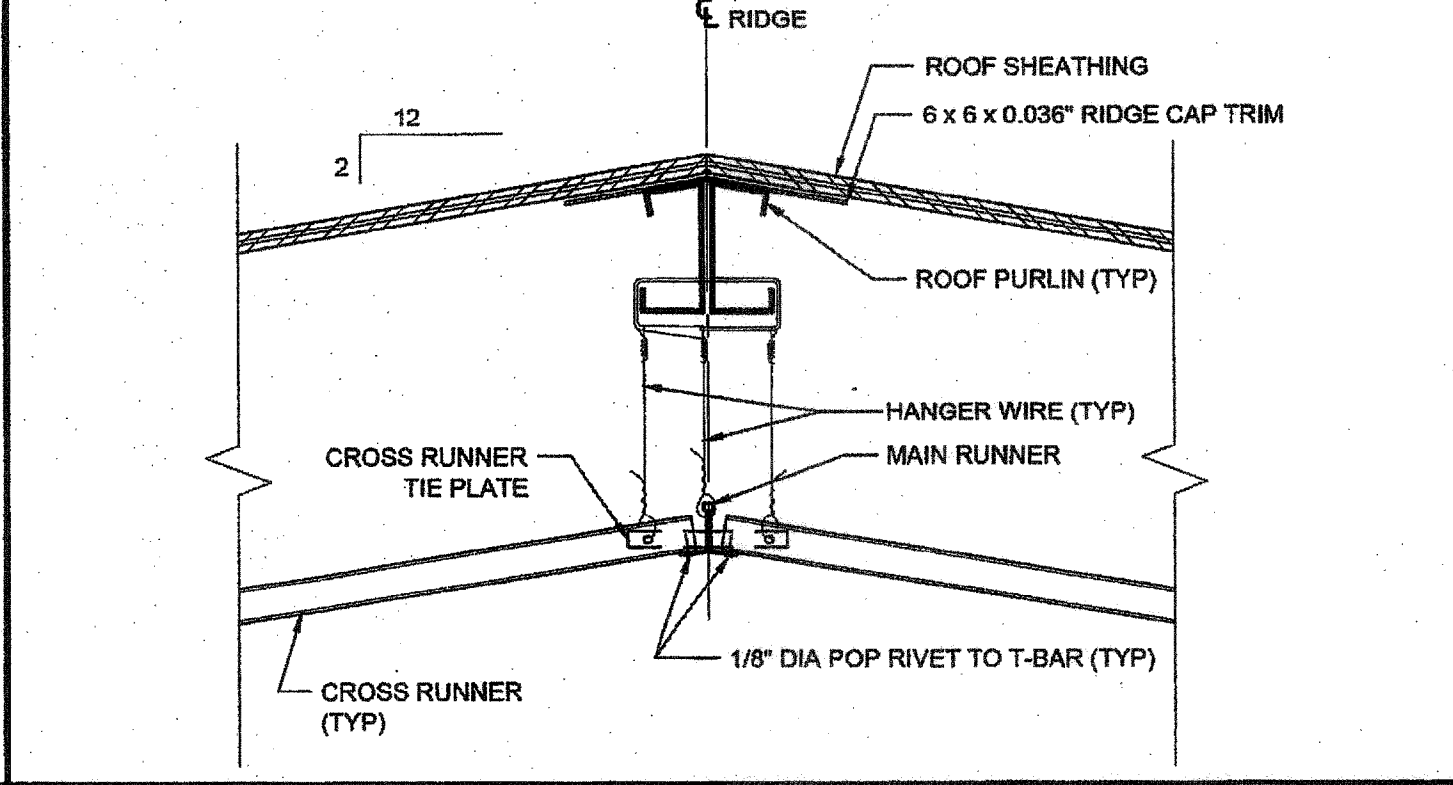
FREE SIDE (SIDEWALL) SCALE: 3/8"=1'-0" 9



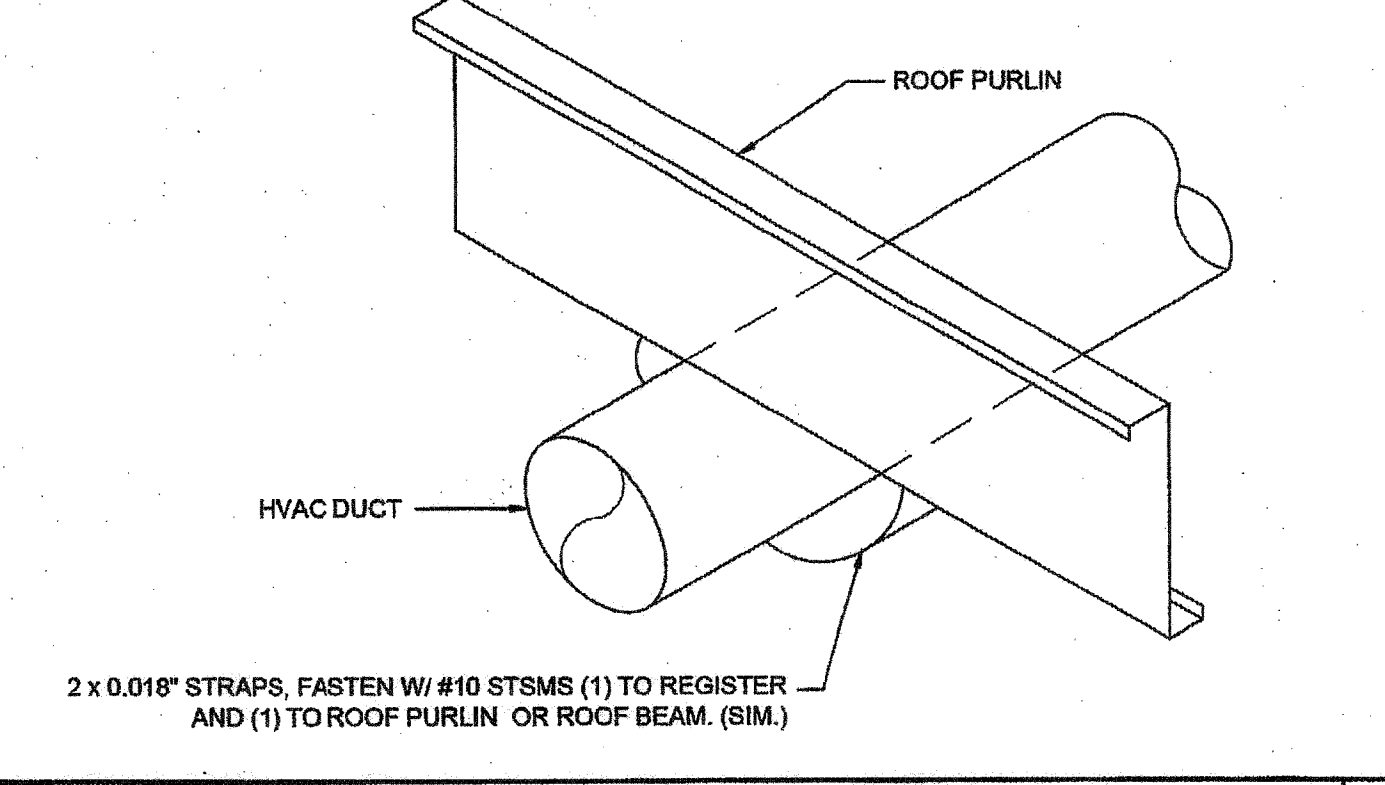
COMPRESSION STRUT SCALE: 3/8"=1'-0" 4



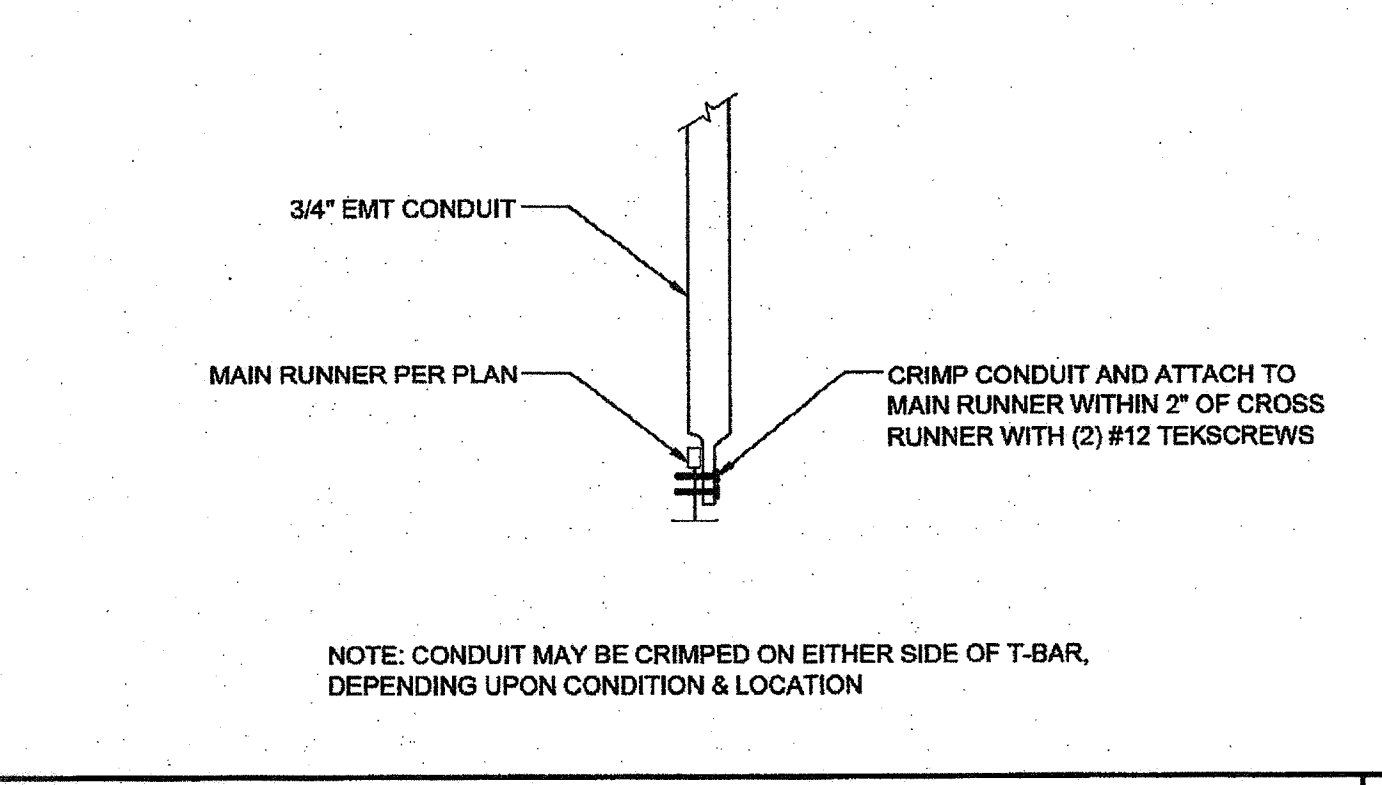
SLOPED CEILING (LOW SIDE) SCALE: 3/8"=1'-0" 20



VAULTED CEILING AT MODULE LINE SCALE: 1 1/2"=1'-0" 15



HVAC DUCTWORK MOUNTING SCALE: N.T.S. 10



COMPRESSION STRUT SCALE: 3/8"=1'-0" 5

THESE DRAWINGS AND ALL MATERIAL CONTAINED HEREIN ARE THE PROPERTY OF SILVERCREEK INDUSTRIES, INC (SCI Inc) AND SHALL NOT BE REPRODUCED, COPIED OR OTHERWISE DISPOSED OF DIRECTLY OR INDIRECTLY AND SHALL NOT BE USED IN WHOLE OR IN PART TO ASSIST IN THE MAKING OF OR FOR THE PURPOSE OF FURNISHING ANY INFORMATION FOR THE MAKING OF DRAWINGS, PRINTS, APPARATUS OR PARTS THEREOF WITHOUT THE FULL KNOWLEDGE AND WRITTEN CONSENT OF SCI Inc.

ALL PATENTABLE MATERIAL CONTAINED HEREIN AND ORIGINATING WITH SCI Inc SHALL BE THE PROPERTY OF SCI Inc

SILVER CREEK INDUSTRIES, INC.
"BUILDING FOR THE NEXT GENERATION"

SILVER CREEK
2830 BARRETT AVE PERRIS, CALIFORNIA 92571
PHONE: 951-943-5393 FAX: 951-943-2211

PROJECT NAME:
24x40 STOCKPILE OFFICE BUILDING

SHEET TITLE:
CEILING DETAILS T GRID

LICENSED ARCHITECT
STATE OF CALIFORNIA
03467
REN 01-31-2017

ARCHITECT OF RECORD
SUBMISSION DATE

FILE # 15-6
IDENTIFICATION STAMP
DIV. OF THE STATE ARCHITECT
OFFICE OF REGULATION SERVICES
03-118270
AC. FLS. SS. BAF
DATE NOV - 8 2017
TRACKING #: 63221-290

PROJECT SPECIFIC STATE AGENCY APPROVAL

IDENTIFICATION STAMP
DIV. OF THE STATE ARCHITECT
04 116284
ACS FLS SS BAF
DATE MAY 18 2017

ORIGINAL PC STATE AGENCY APPROVAL

IDENTIFICATION STAMP
DIV. OF THE STATE ARCHITECT
OFFICE OF REGULATION SERVICES
PC 04-114102
AC. FLS. SS. BAF
DATE AUG - 4 2015

REVISIONS

SILVER CREEK INDUSTRIES
24' x 40' PC - 2:12 PITCH

PROJECT NO:
DRAWN BY:
SCALE: AS NOTED
DATE: 01-30-15

P.C. SHEET NUMBER
A-2.20