

THESE DRAWINGS AND ALL MATERIAL CONTAINED HEREIN ARE THE PROPERTY OF SILVERCREEK INDUSTRIES, INC. (SCI Inc) AND SHALL NOT BE REPRODUCED, COPIED OR OTHERWISE DISPOSED OF DIRECTLY OR INDIRECTLY AND SHALL NOT BE USED IN WHOLE OR IN PART TO ASSIST IN THE MAKING OF OR FOR THE PURPOSE OF FURNISHING ANY INFORMATION FOR THE MAKING OF DRAWINGS, PRINTS, APPARATUS OR PARTS THEREOF WITHOUT THE FULL KNOWLEDGE AND WRITTEN CONSENT OF SCI Inc. ALL PATENTABLE MATERIAL CONTAINED HEREIN AND ORIGINATING WITH SCI Inc SHALL BE THE PROPERTY OF SCI Inc

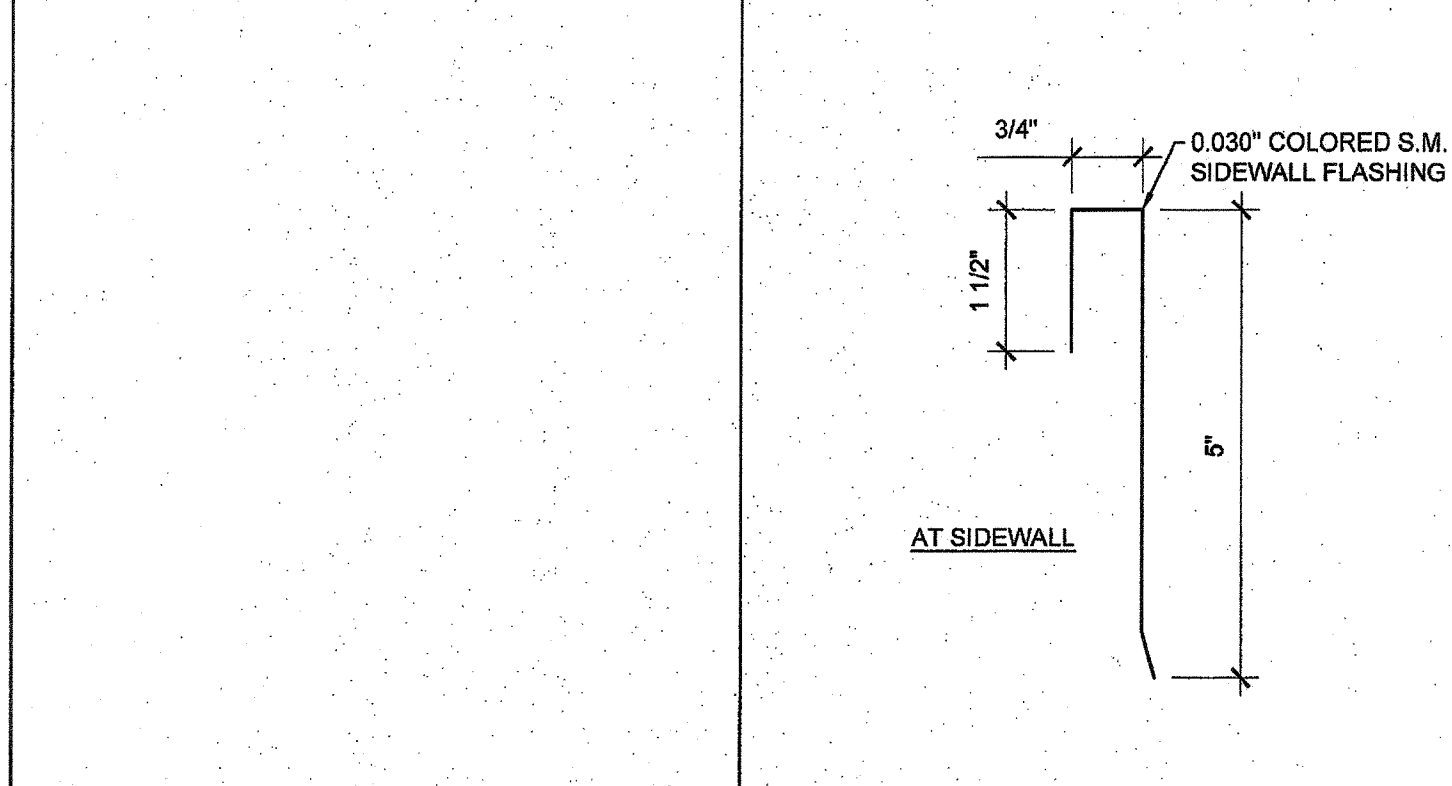
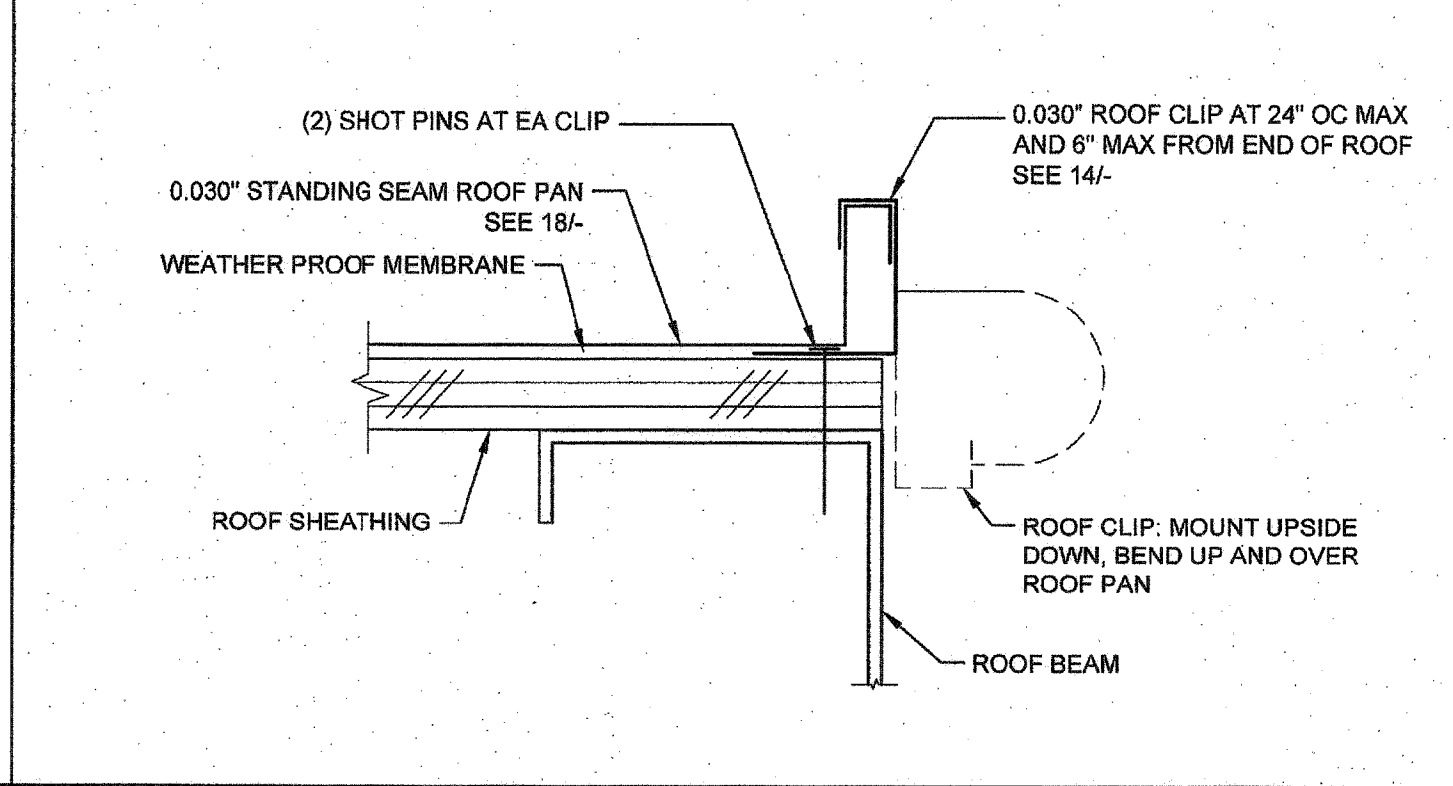
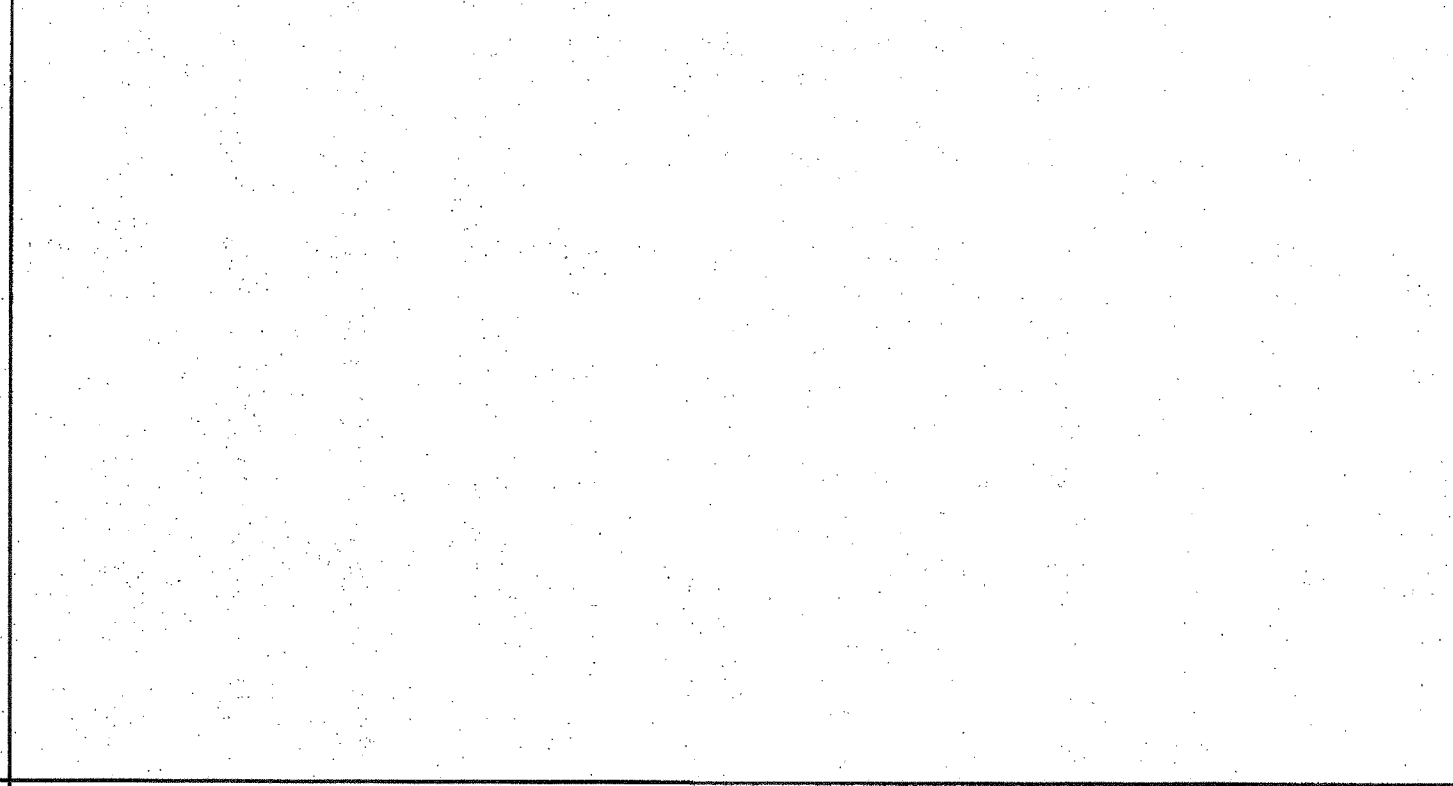
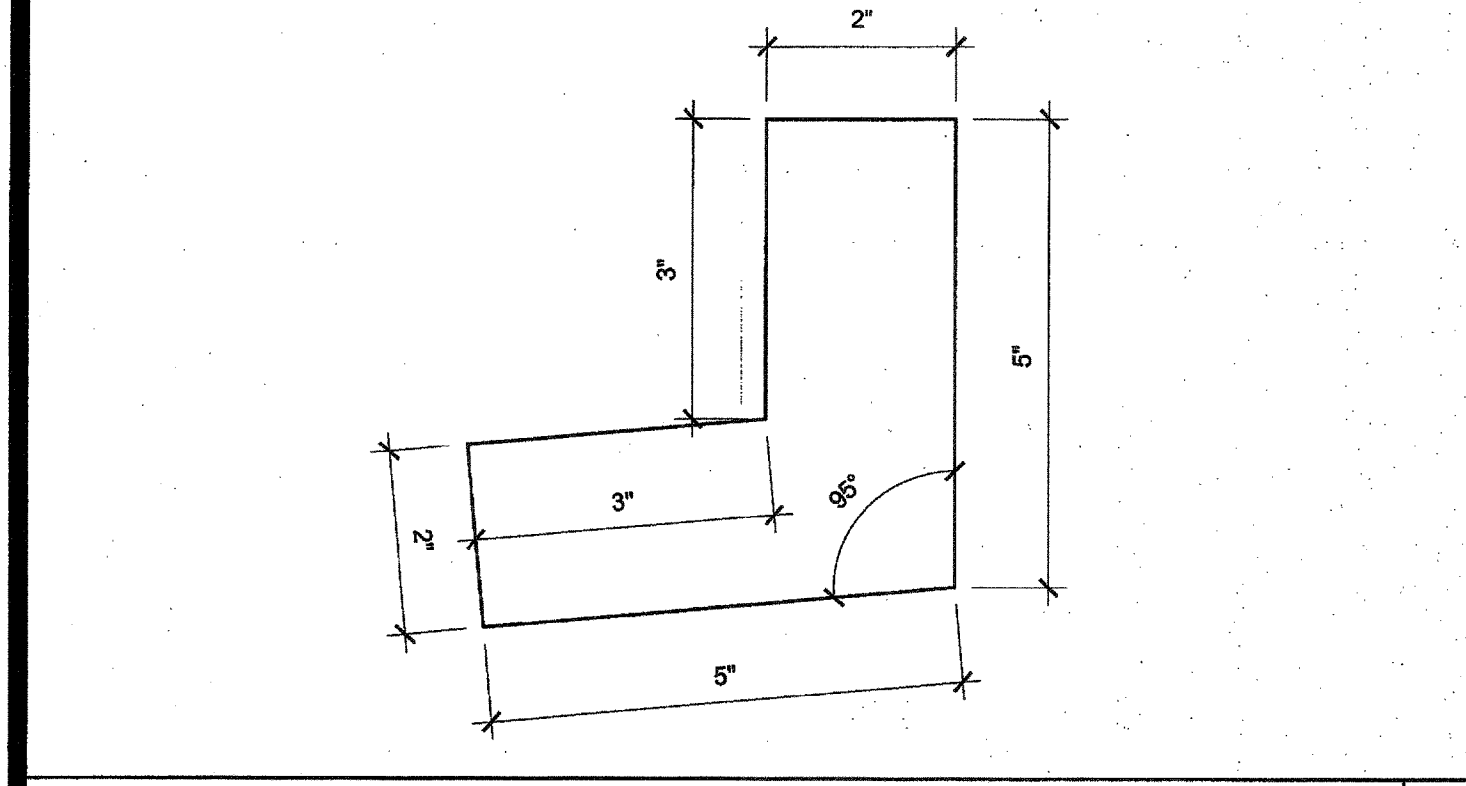
ROOF FLASHING AT SIDEWALL SCALE: 6"=1'-0" 16

GUTTER AT ROOF FASCIA BEAM SCALE: 3"=1'-0" 11

END ROOF PAN CONNECTION SCALE: 6"=1'-0" 6

FLASHING AT MODULE LINE WALL SCALE: 6"=1'-0" 1a

0.018" ROOF CAP AT MODULE LINE SCALE: 6"=1'-0" 1b



SILVER CREEK INDUSTRIES, INC.
"BUILDING FOR THE NEXT GENERATION"
2830 BARRETT AVE. PERRIS, CALIFORNIA 92571
PHONE: 951-943-5393 FAX: 951-943-2211
PROJECT NAME:
24x40 STOCKPILE OFFICE BUILDING
SHEET TITLE:
**PROJECT SPECIFIC ROOF DETAILS
0.030 STANDING SEAM ROOF DECK**

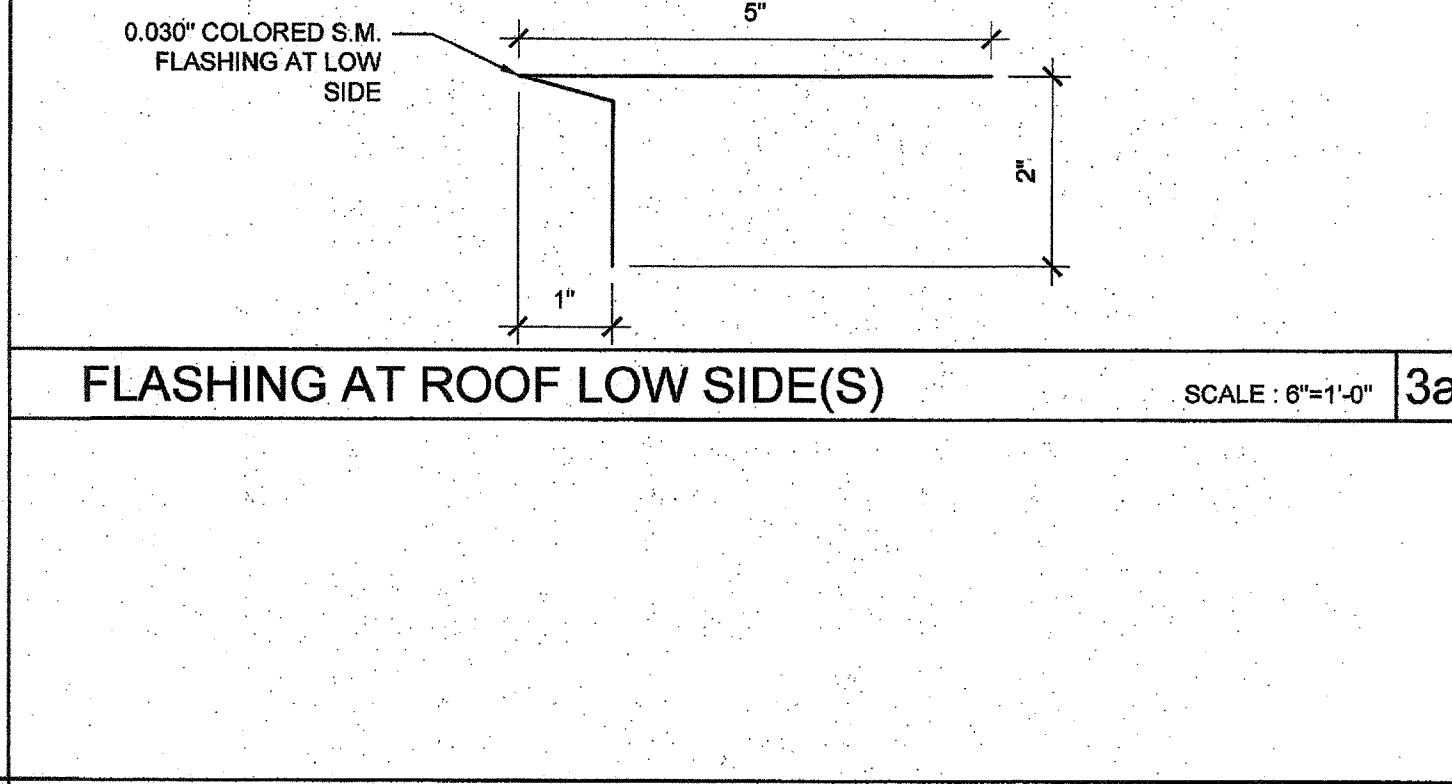
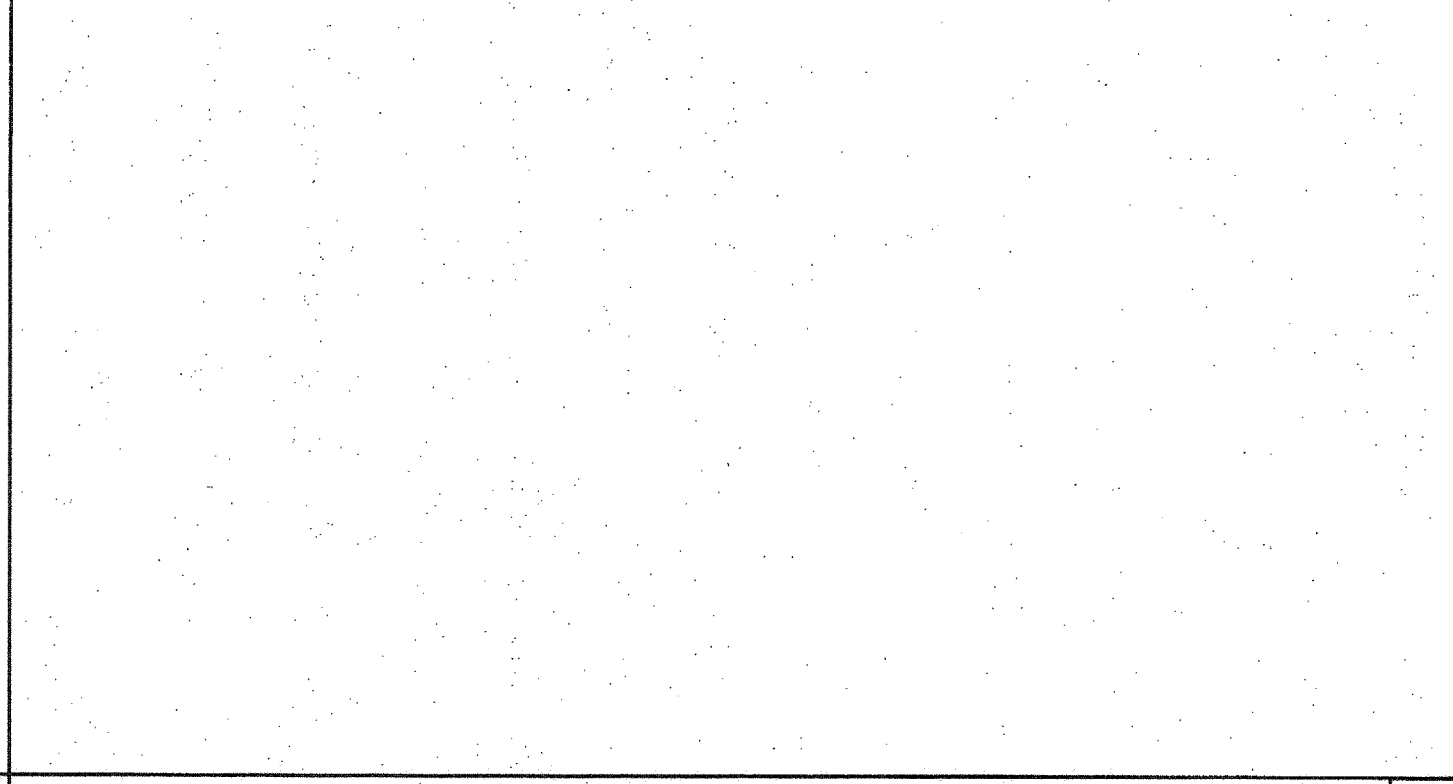
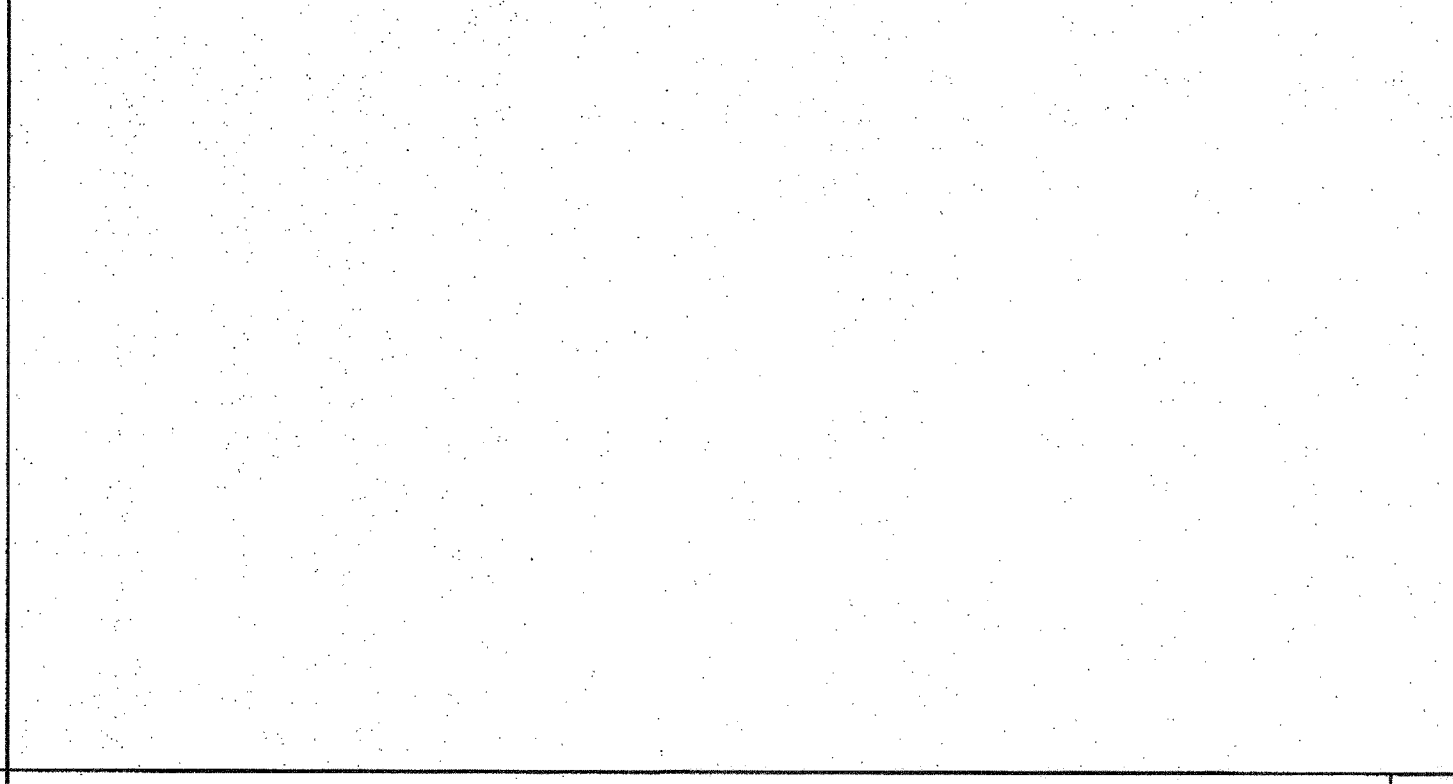
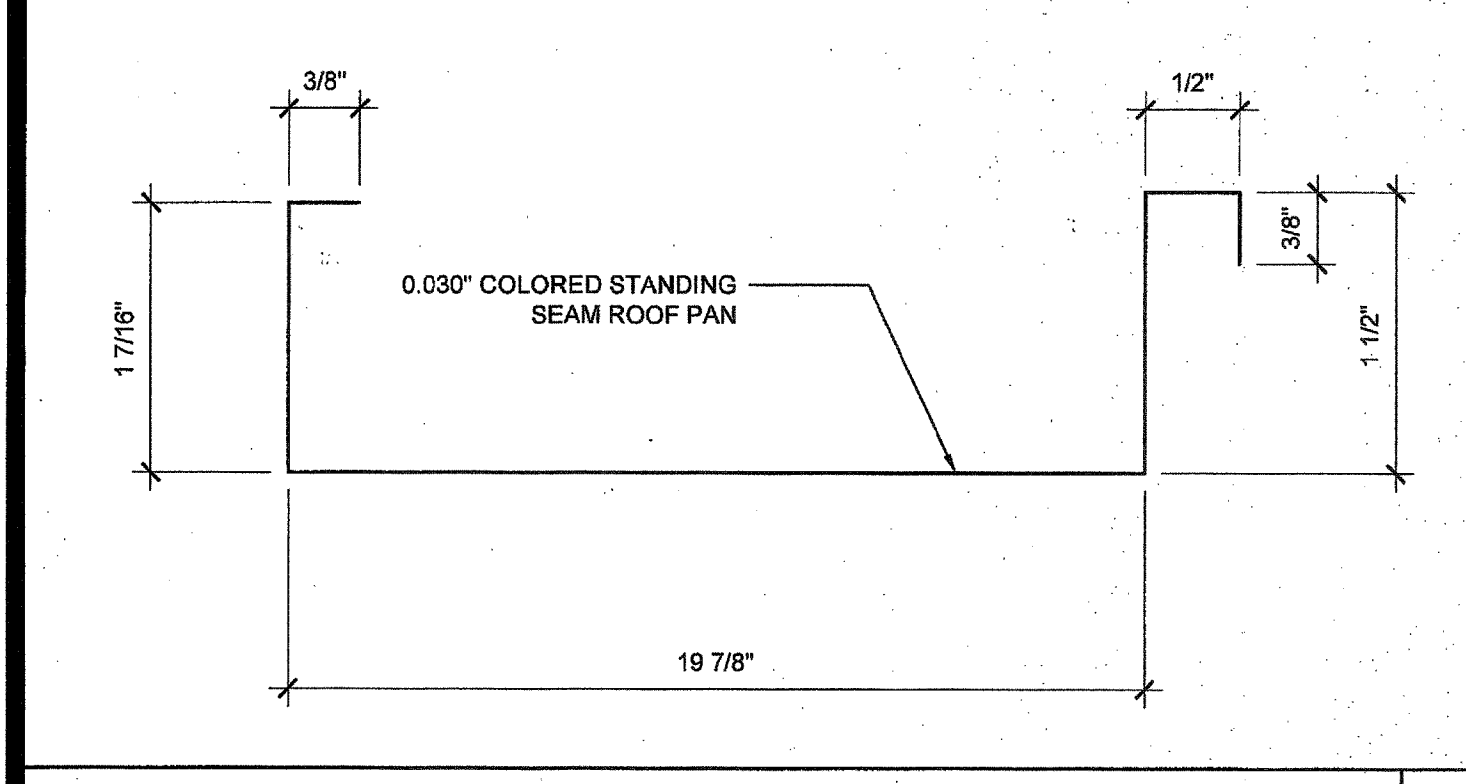
ROOF DECK PROFILE SCALE: 6"=1'-0" 17

STARTER ROOF PAN CONNECTION SCALE: 6"=1'-0" 7

NOT USED 2b

ROOF FLASHING SCALE: 6"=1'-0" 2a

FLASHING AT ROOF LOW SIDE(S) SCALE: 6"=1'-0" 3a



ARCHITECT OF RECORD SUBMISSION DATE
FILE # 15-6
IDENTIFICATION STAMP
DIV. OF THE STATE ARCHITECT
OFFICE OF REGULATION SERVICES
03-118270
AC. FLS. SS. RNF
DATE NOV 8 2017
TRACKING #: 63221-290

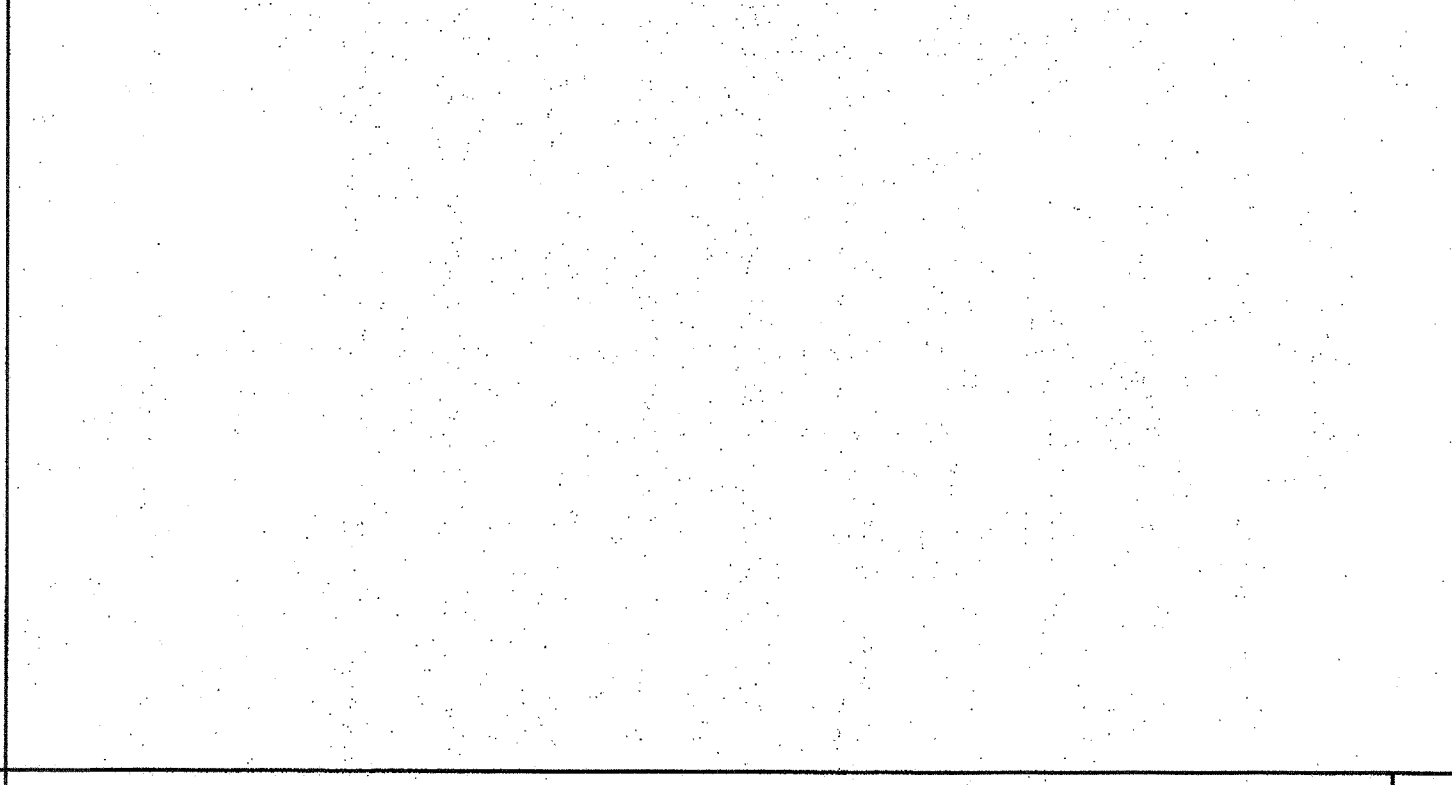
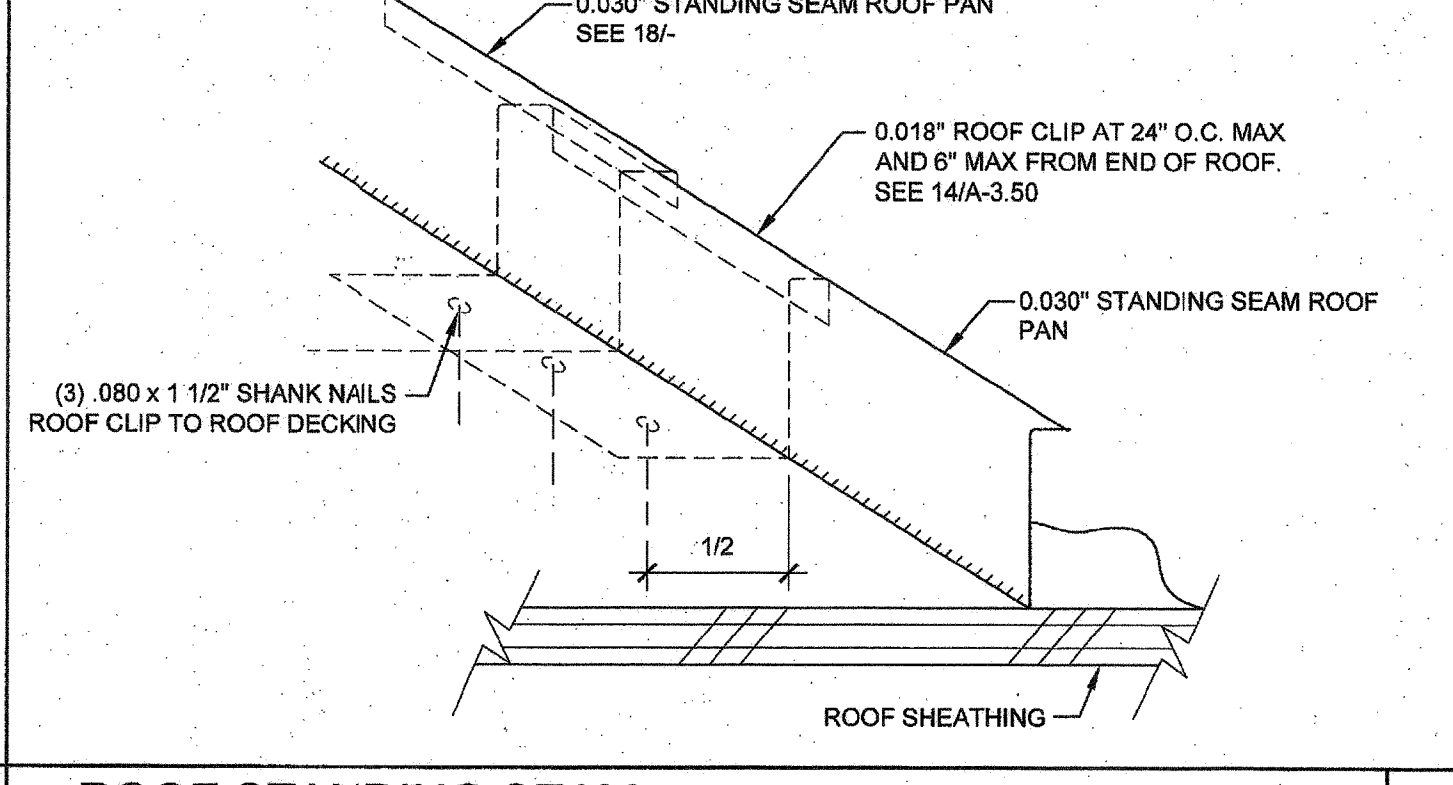
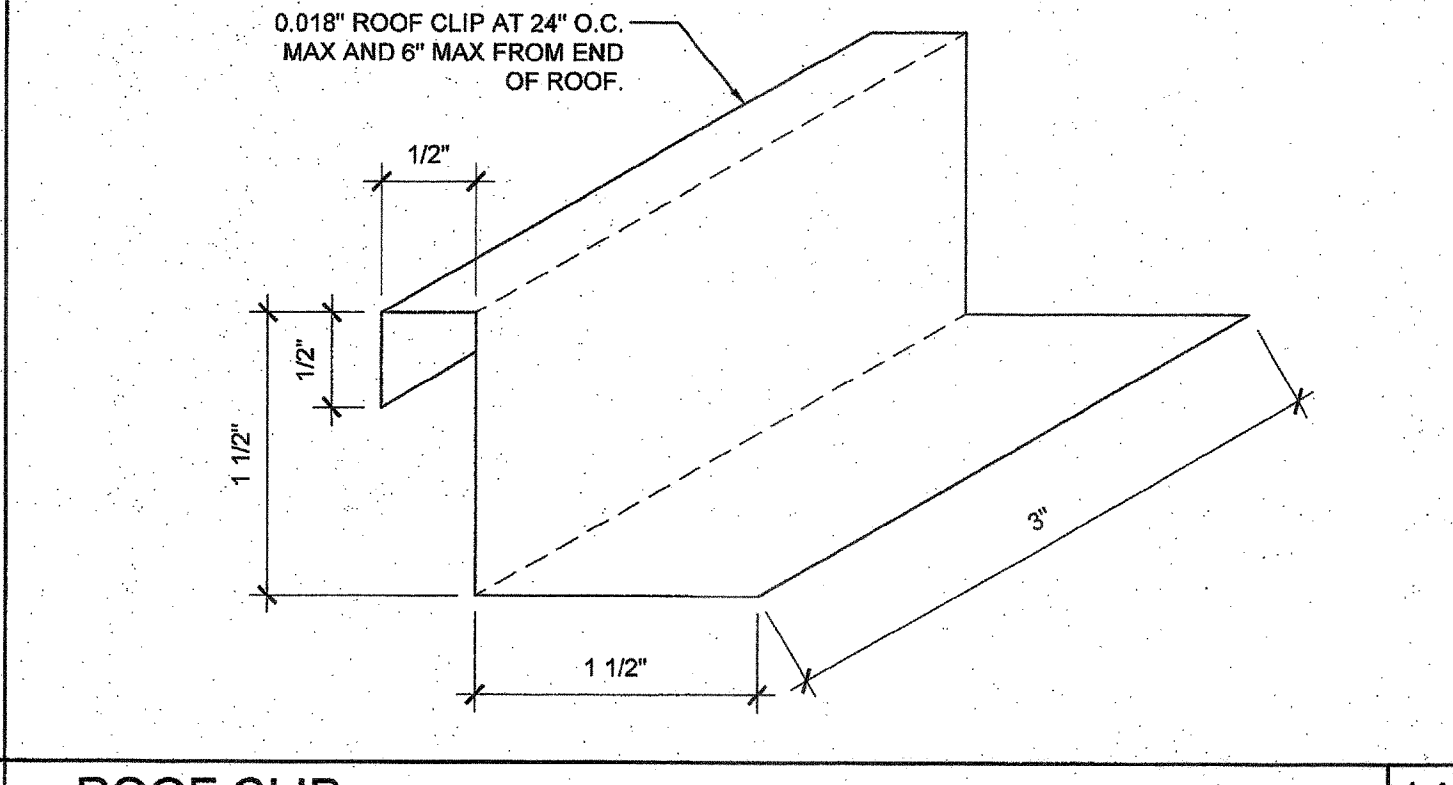
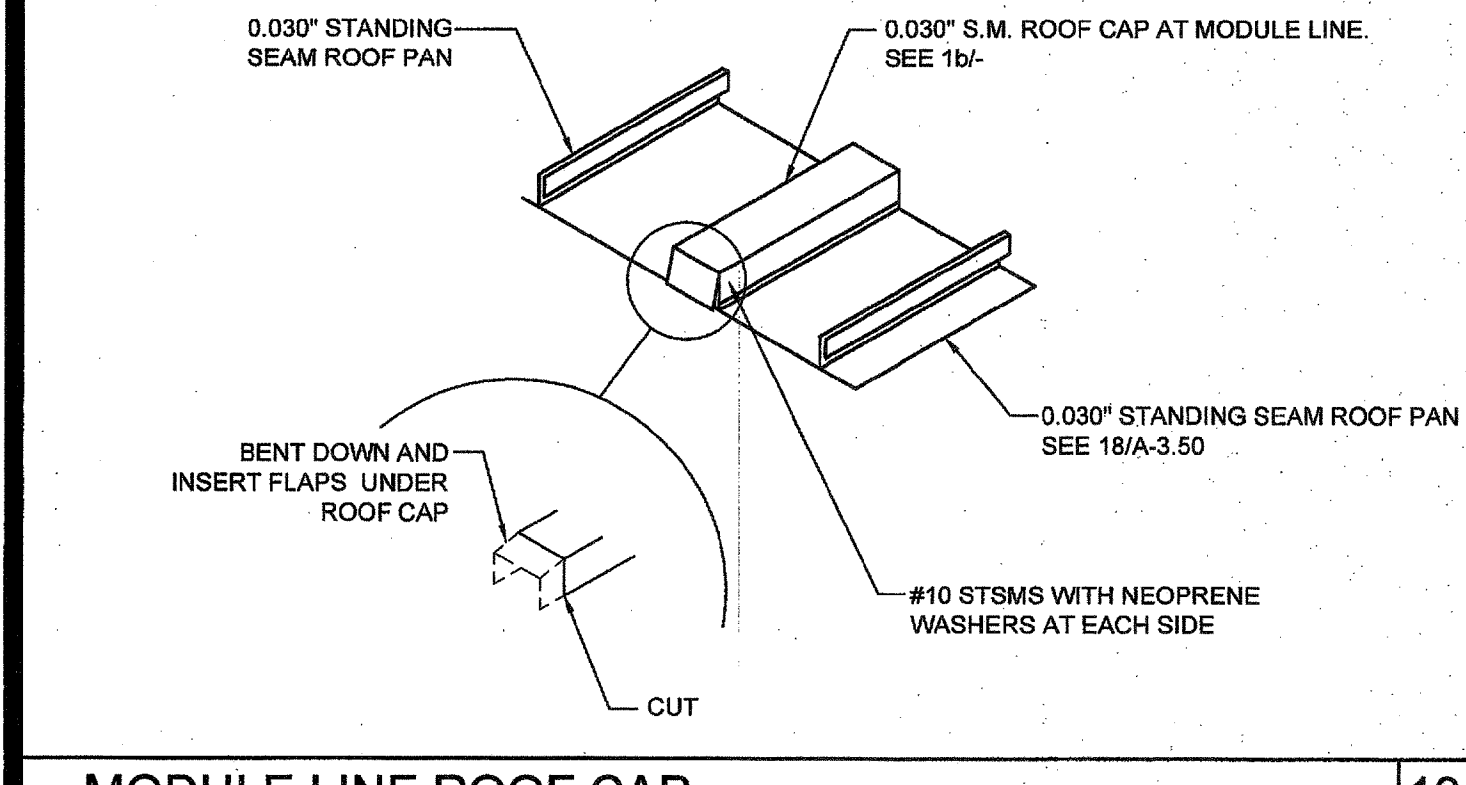
MODULE LINE ROOF CAP SCALE: NTS 18

ROOF CLIP SCALE: 1'-0"=1'-0" 14

ROOF STANDING SEAM SCALE: NTS 9

NOT USED 3b

PROJECT SPECIFIC STATE AGENCY APPROVAL



IDENTIFICATION STAMP
DIV. OF THE STATE ARCHITECT
04 116284
ACS FLS. SS. RNF
DATE MAY 9 8 2017
ORIGINAL PC STATE AGENCY APPROVAL

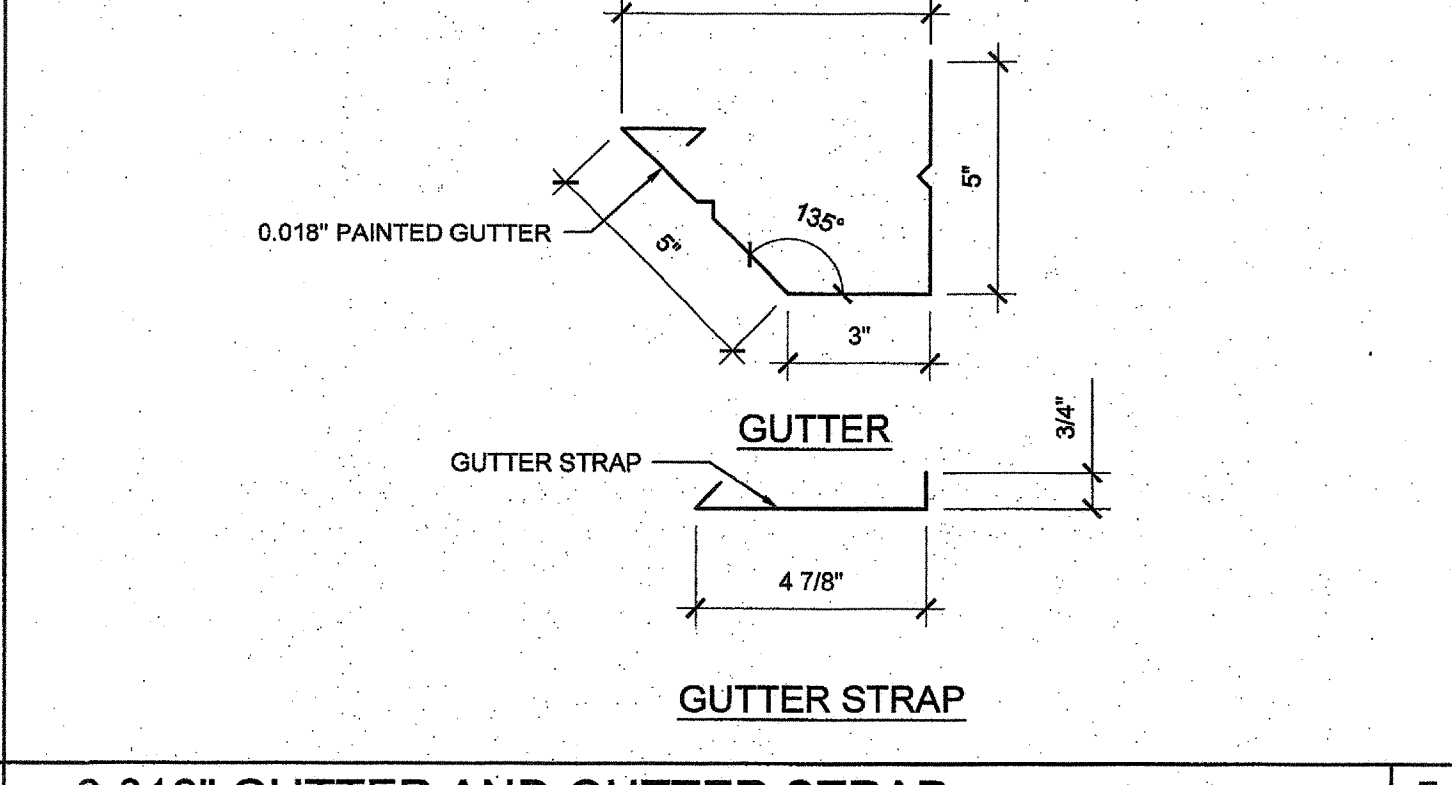
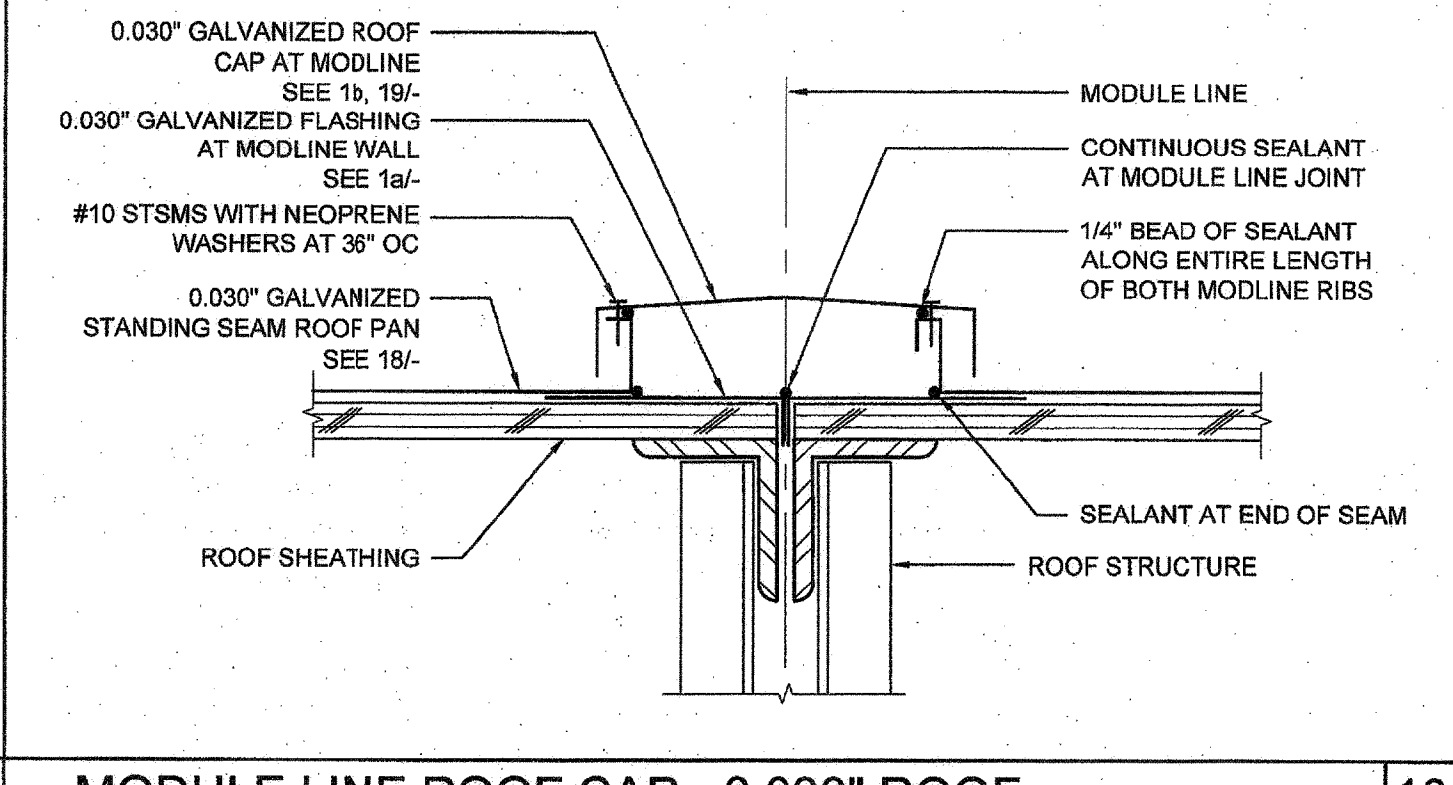
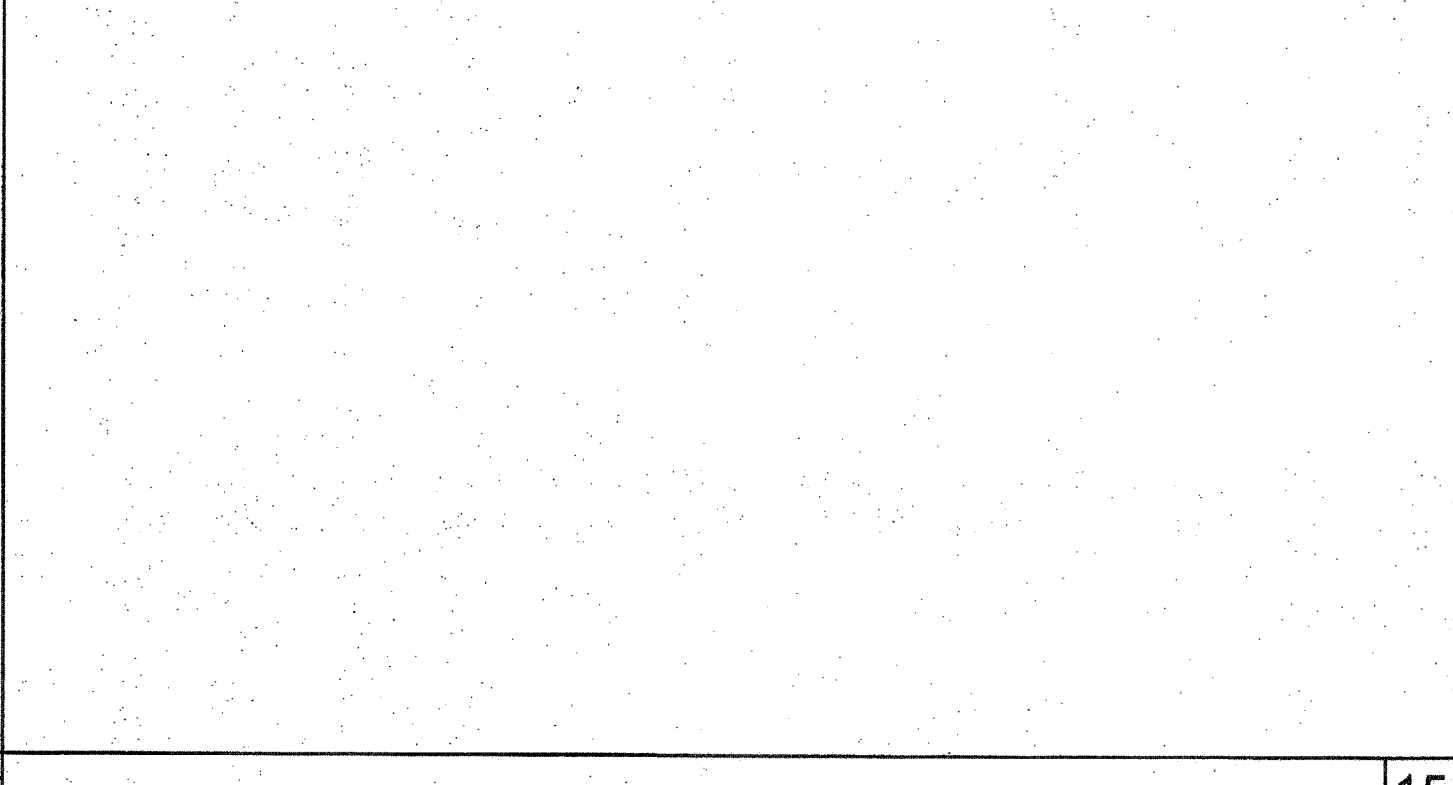
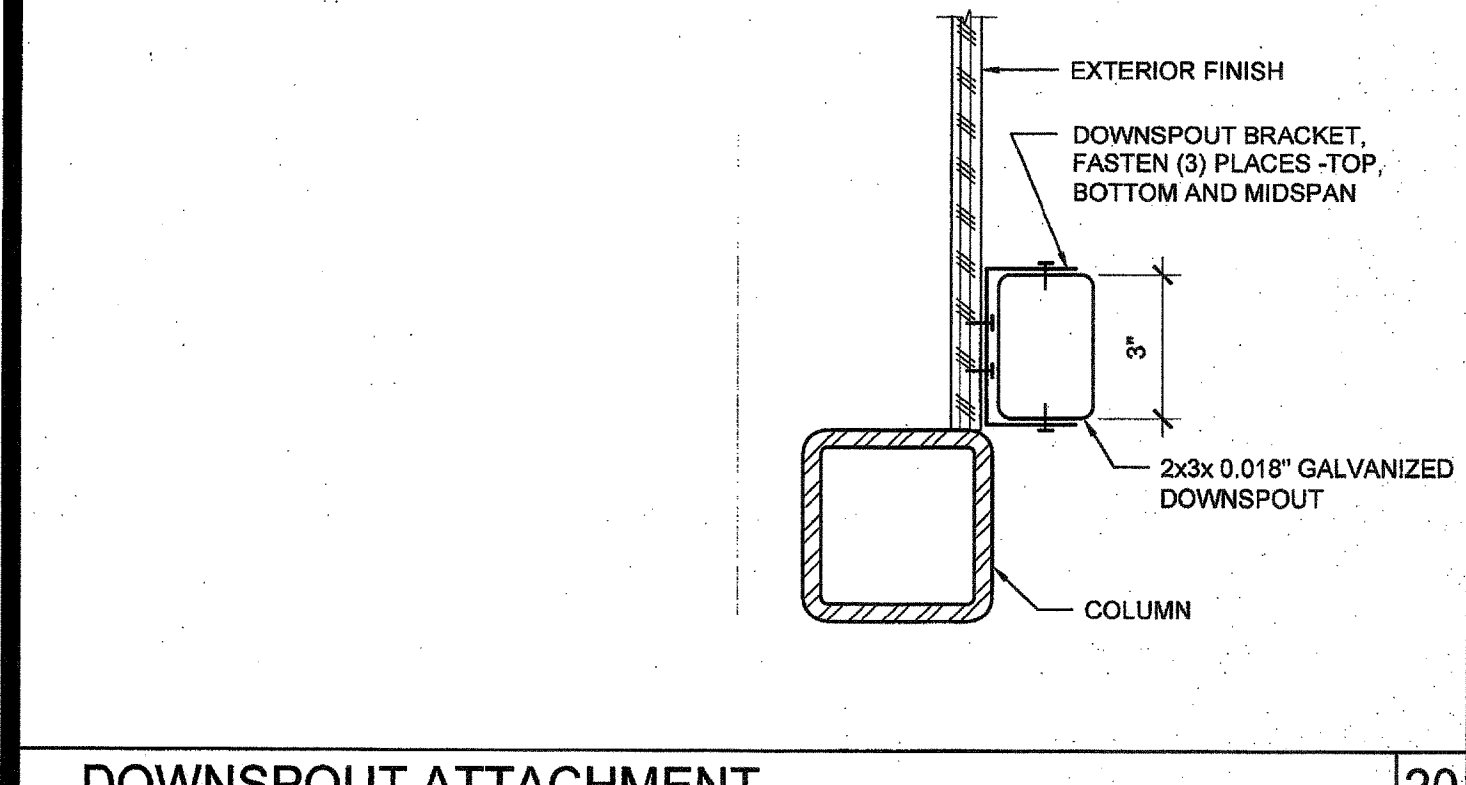
MODULE LINE ROOF CAP SCALE: NTS 19

ROOF CLIP SCALE: 1'-0"=1'-0" 14

ROOF STANDING SEAM SCALE: NTS 9

NOT USED 4

REVISIONS



SILVER CREEK INDUSTRIES
PROJECT NO: 10914
DRAWN BY:
SCALE: AS NOTED
DATE: 04-20-17
SHEET NUMBER
A-3.50N

DOWNSPOUT ATTACHMENT SCALE: 3"=1'-0" 20

MODULE LINE ROOF CAP - 0.030" ROOF SCALE: 3"=1'-0" 15

MODULE LINE ROOF CAP - 0.030" ROOF SCALE: 3"=1'-0" 10

0.018" GUTTER AND GUTTER STRAP SCALE: 3"=1'-0" 5

REVISIONS