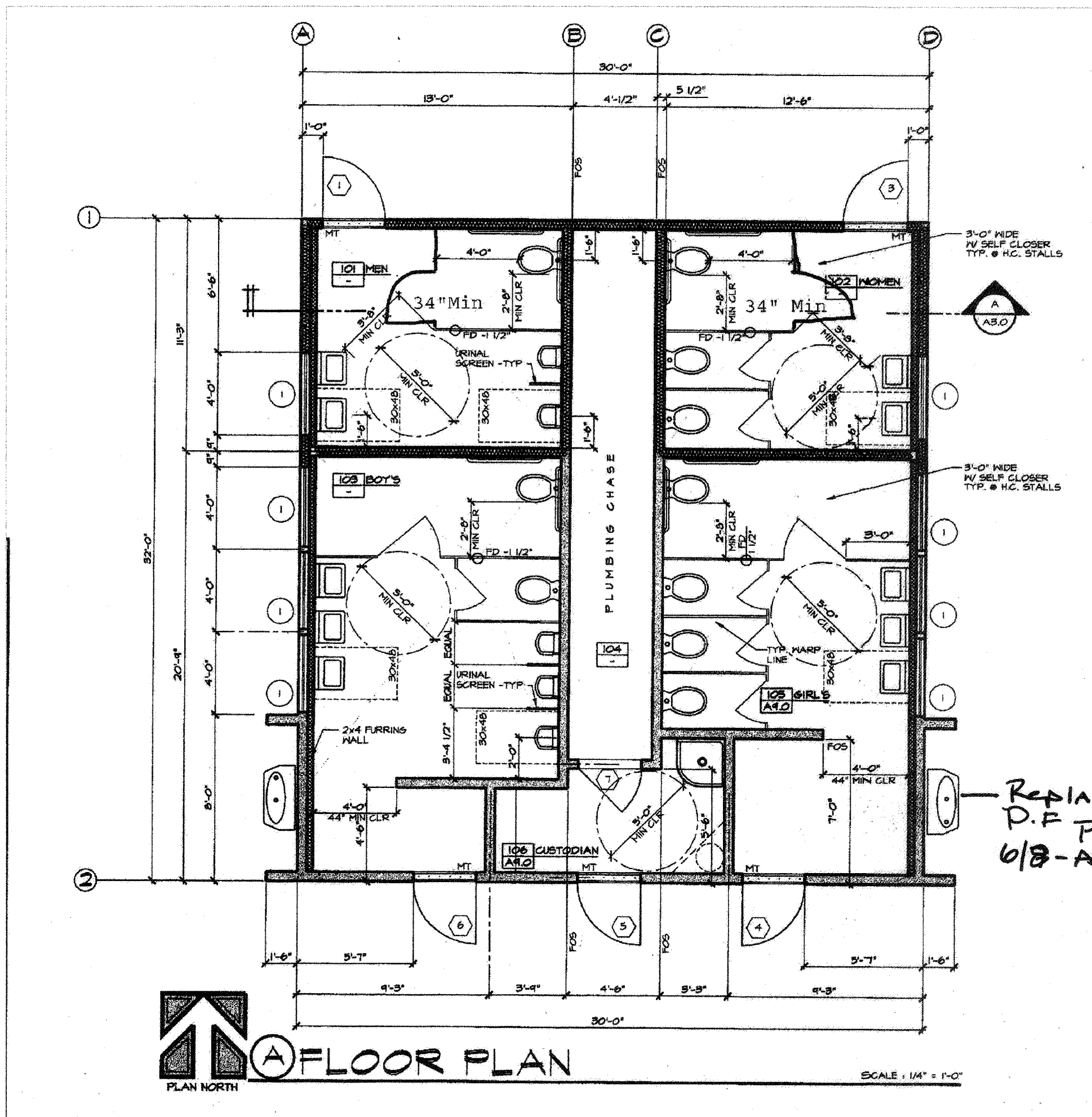


TYPICAL FENCE & GATE KEYNOTES

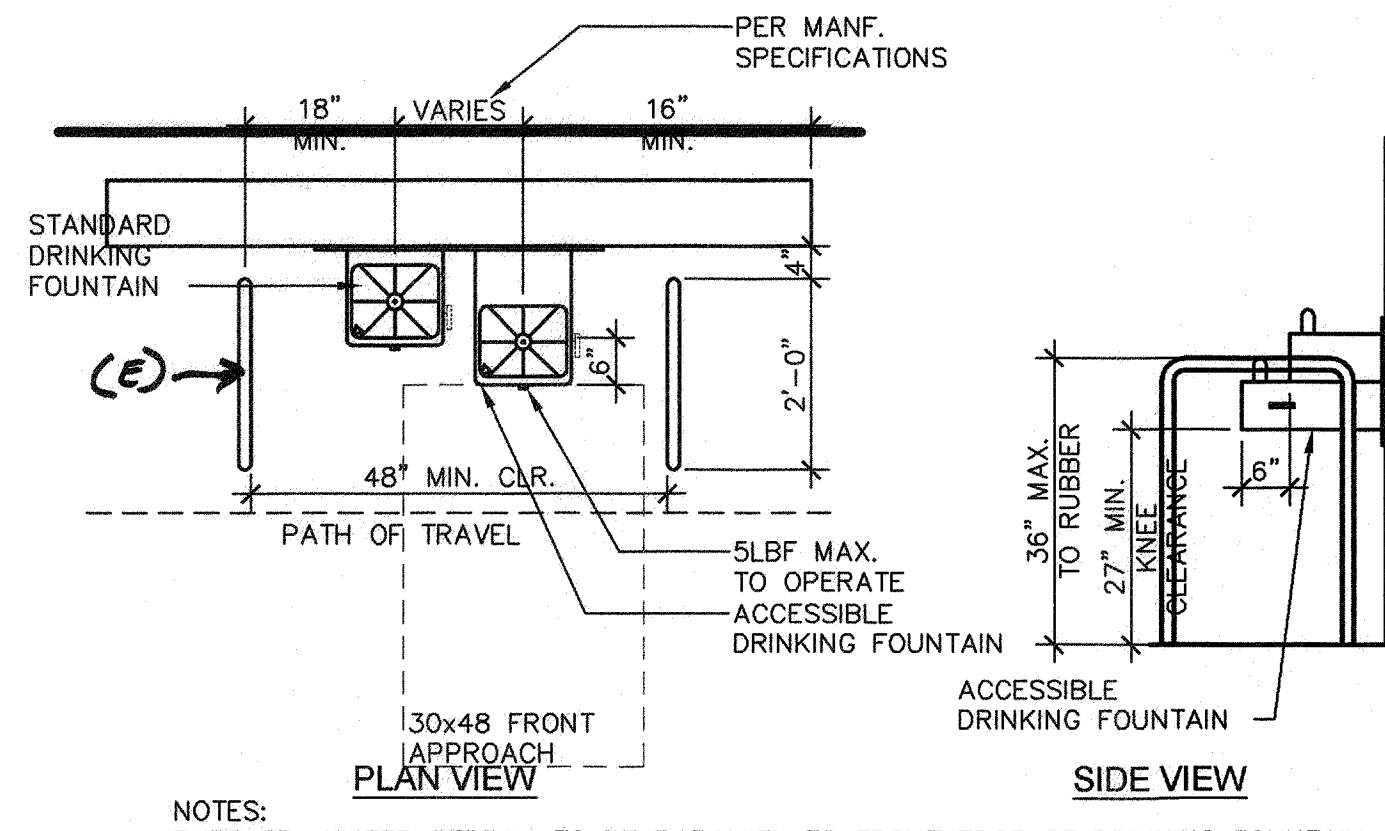
- 1 4" O.D. GALVANIZED STEEL GATE POST (9.1 lb/ft)
- 2 2 7/8" O.D. GALVANIZED STEEL END OR CORNER POST (5.79 lb/ft)
- 3 2" O.D. GALVANIZED STEEL GATE FRAME (2.72 lb/ft)
- 4 1 5/8" O.D. GALVANIZED STEEL HORIZONTAL RAIL (2.27 lb/ft)
- 5 2"x2" MESH x 9 GAUGE GALVANIZED FENCE FABRIC WITH KNUCKLED TOP AND BOTTOM SELVAGE. FENCE FABRIC TO BE GALVANIZED BEFORE WEAVING (GBW)
- 6 1/4"x3/4" GALVANIZED STEEL STRETCHER BAR
- 7 GALVANIZED STEEL STRETCHER BAR TENSION BAND, MIN. OF 6 TENSION BANDS
- 8 9 GAUGE (0.148" DIA.) GALVANIZED STEEL TIE WIRES OR HOG RINGS AT 15" MAX. SPACING. MIN. 8 TIE WIRES PER EACH 10" HORIZONTAL RAIL
- 9 GALVANIZED ADJUSTABLE TURNBUCKLE FOR 3/8" DIA. TRUSS ROD
- 10 3/8" DIA. GALVANIZED STEEL ADJUSTABLE TRUSS ROD. TRUSS RODS REQUIRED FOR ALL GATE POST PANELS AND END OR CORNER POST PANELS
- 11 3/8"x6" GALVANIZED HOOK BOLT WITH NUT IMBEDDED IN MIDWAY BETWEEN POSTS
- 12 7 GAUGE (0.177" DIA.) GALVANIZED STEEL TENSION WIRE
- 13 RAINPROOF CAP
- 14 LOCKING HASP
- 15 180° GATE HINGE, TYP
- 16 12"Ø CONCRETE POST FOOTING (TYP.)
- 17 TRIM, LEVER HANDLE & RIM CYLINDER LOCK PER DISTRICT STANDARD 34" - 44"
- 18 16ga GATE GUARD
- 19 10" HIGH x GATE WIDTH, 16 ga POWDER-COATED METAL KICK PLATE, TYP BOTH SIDES OF GATE.

13 TYPICAL CHAIN LINK FENCE AND GATES
 A1.03 ADY100-01 AT BUILDING ONLY. SEE CIVIL FOR FENCING AT NEW PARKING LOT.

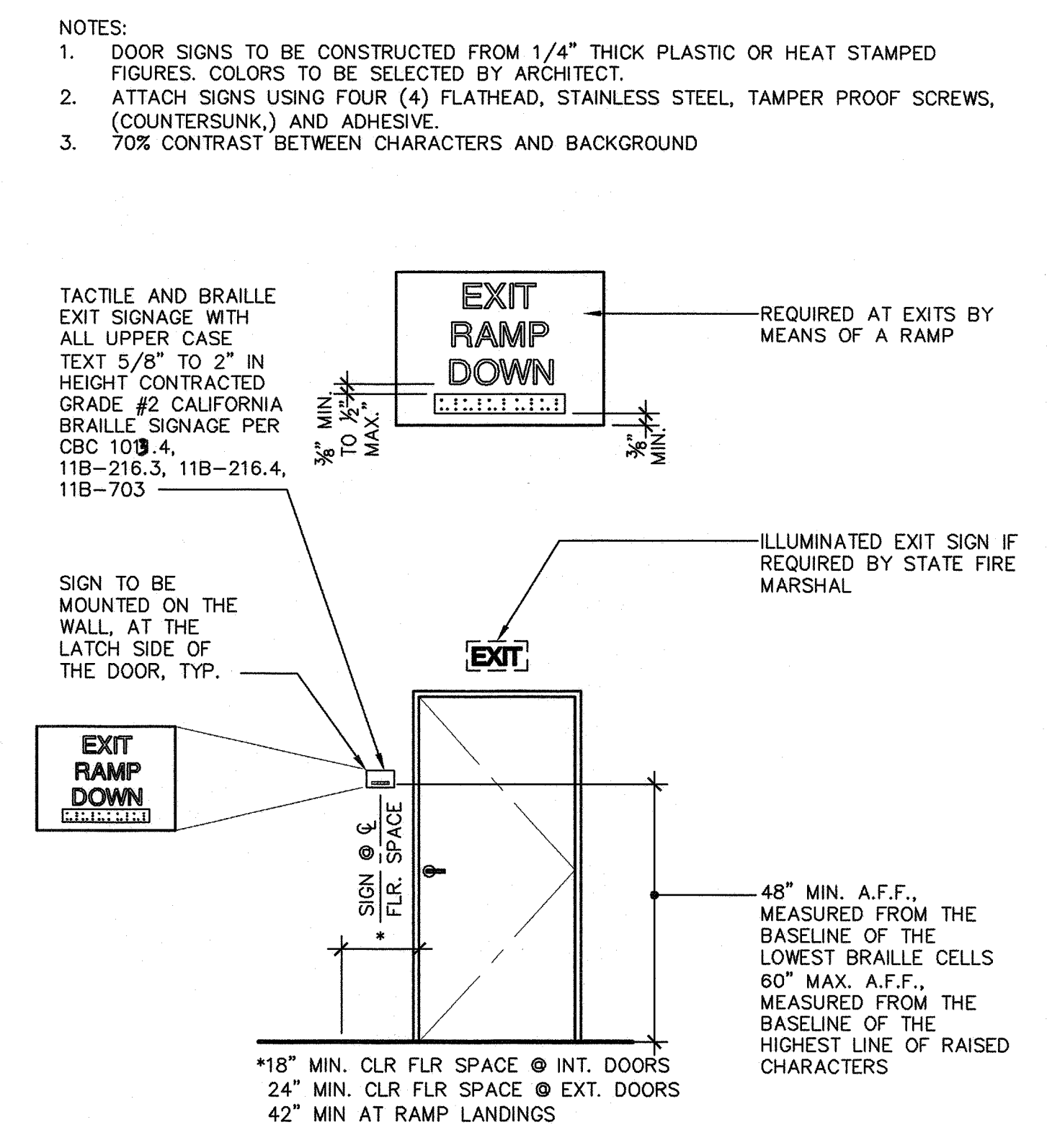


NOTE:
 IN MENS 101 AND WOMENS 102 REMOVE FRONT OF EXISTING TOILET PARTITIONS AND ROTATE DOOR SWING AS INDICATED.
 4" MAX SHIE

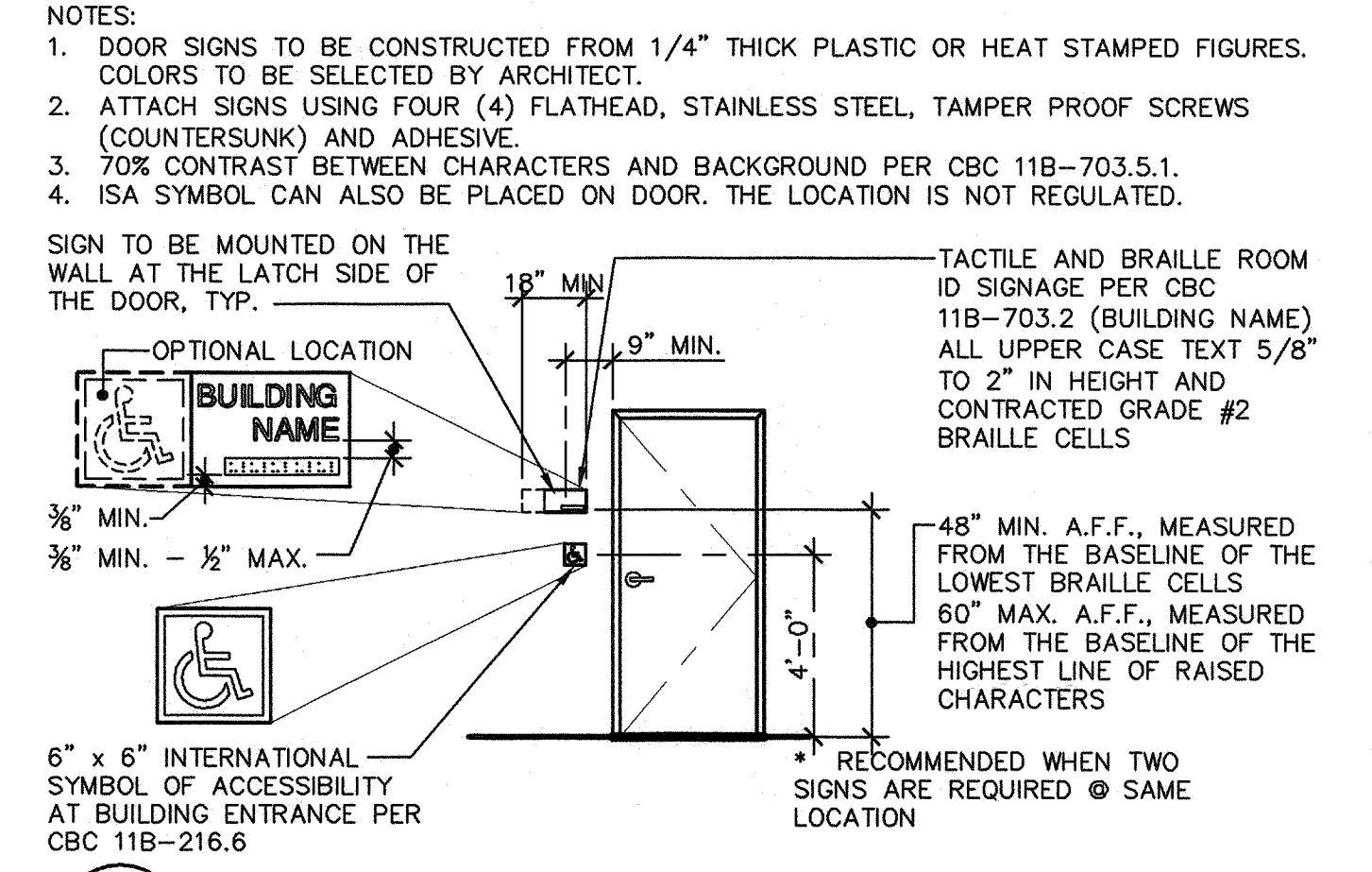
15 FLOOR PLAN
 A1.03



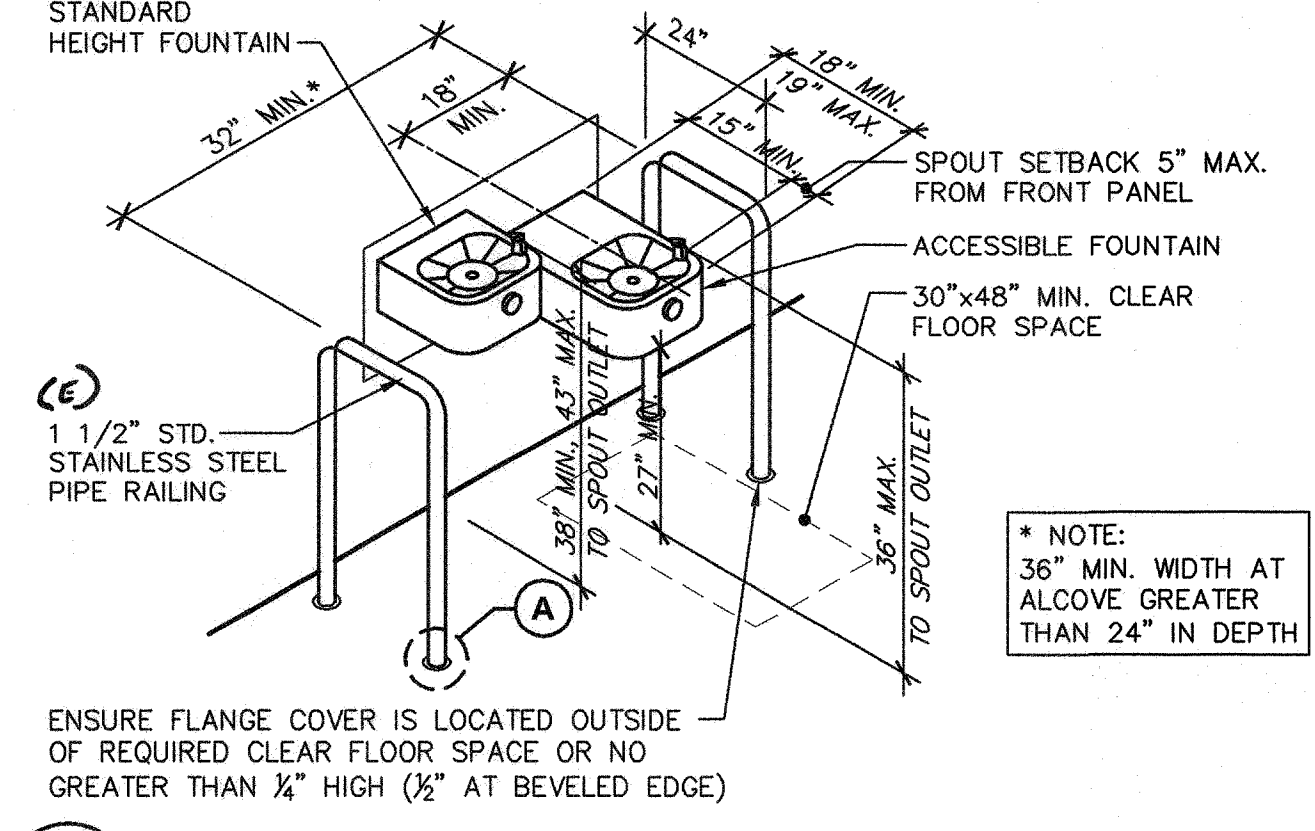
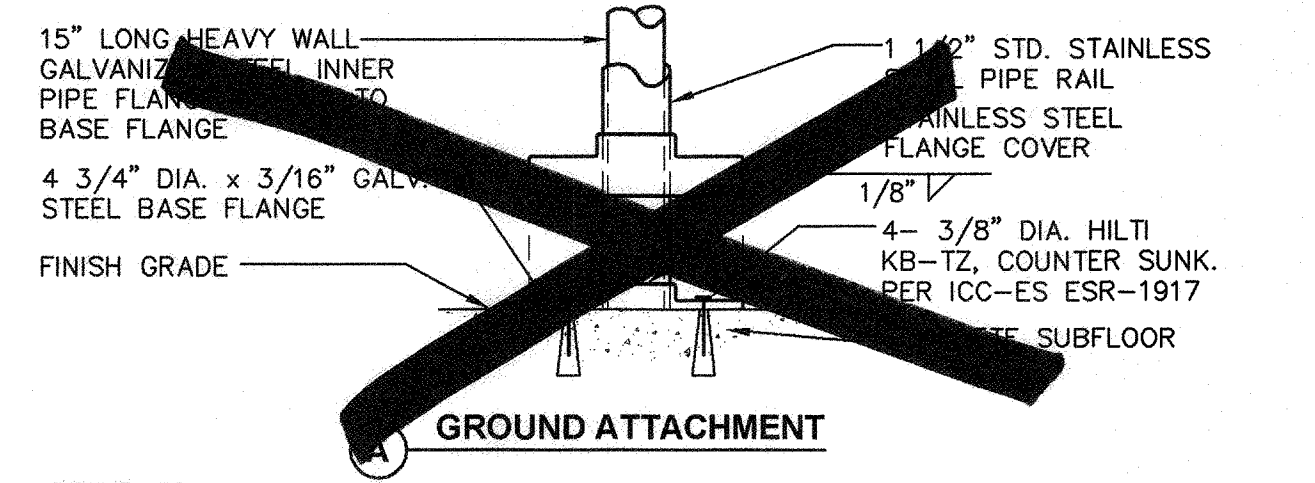
6 HI LOW DRINKING FOUNTAIN
 A1.03 ADA000-01 SCALE: 1/2" = 1'-0"



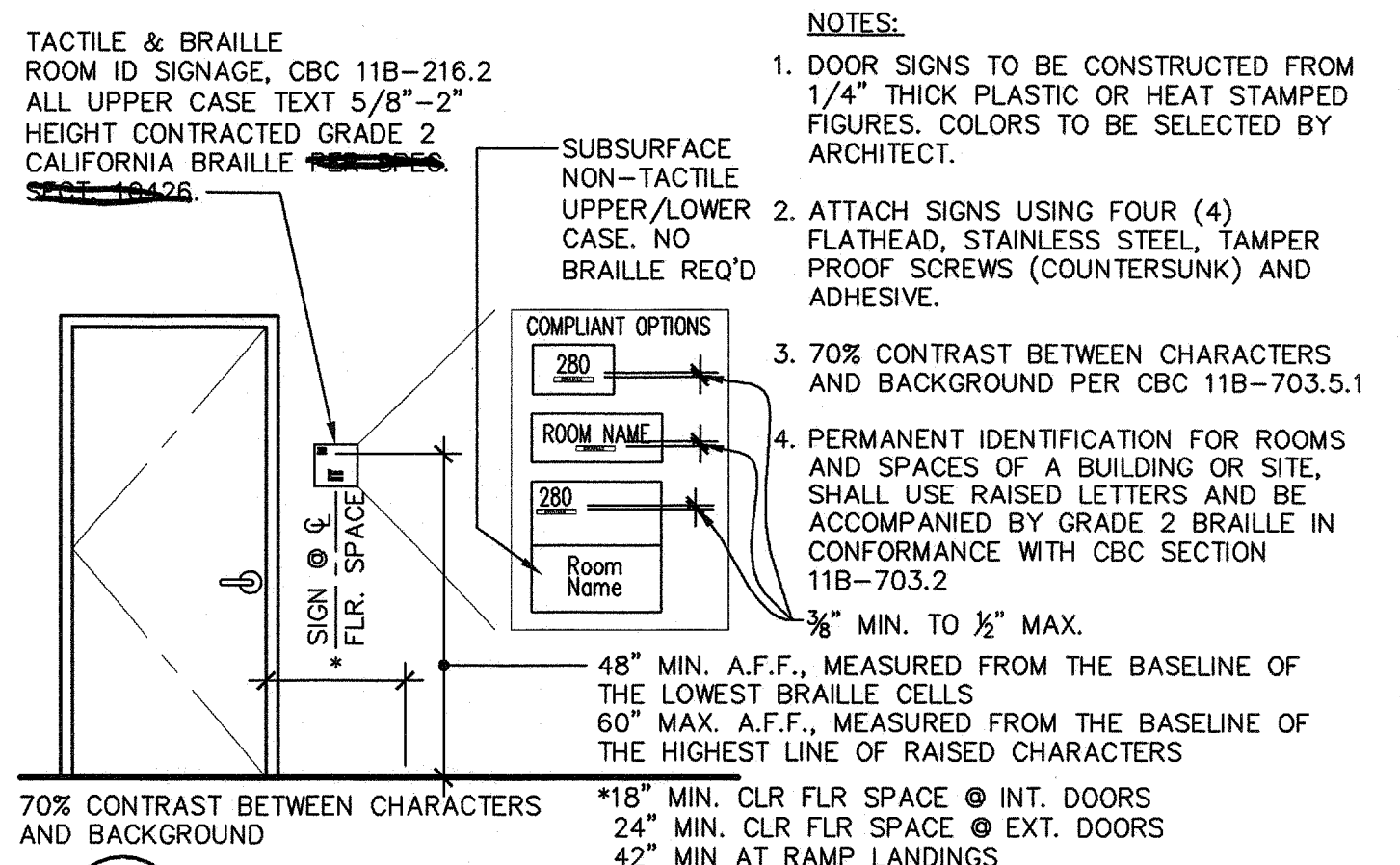
2 TYPICAL EXTERIOR DOOR SIGNAGE
 A1.03 ADX200-01 SCALE: 3/8" = 1'-0"



3 BUILDING ENTRANCE/ISA SIGNAGE
 A1.03 ADA100-01 SCALE: 1/4" = 1'-0"



8 DRINKING FOUNTAIN
 A1.03 ADA000-02 SCALE: 1" = 1'-0"



4 ROOM ID SIGNAGE
 A1.03 ADX100-01 SCALE: NO SCALE