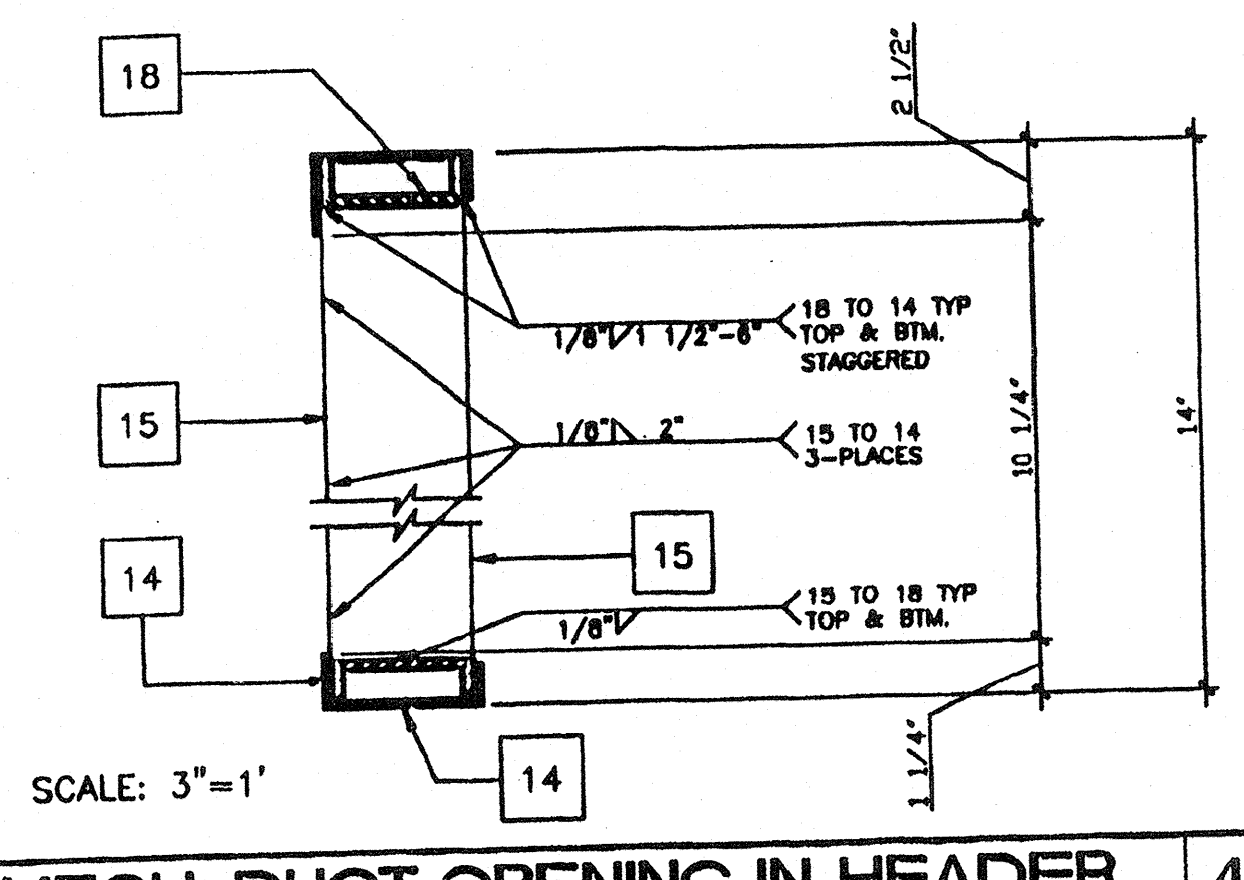
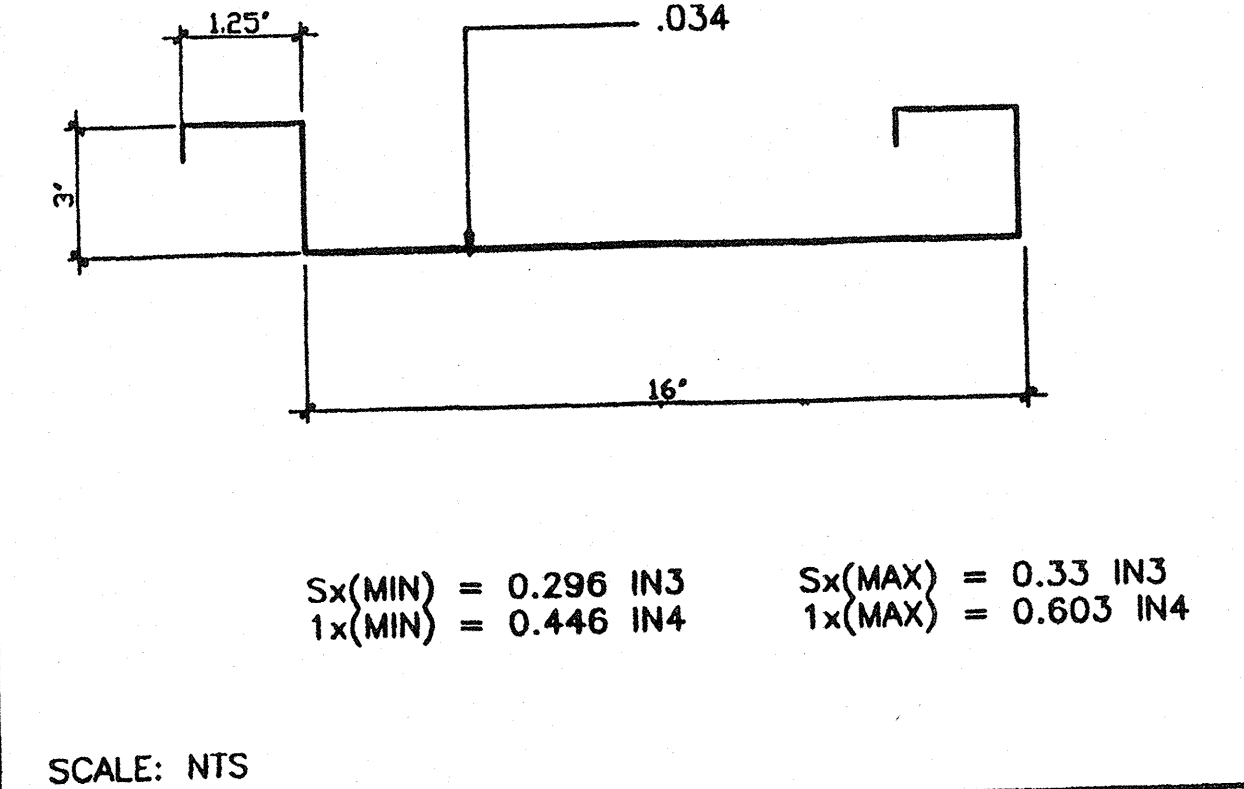


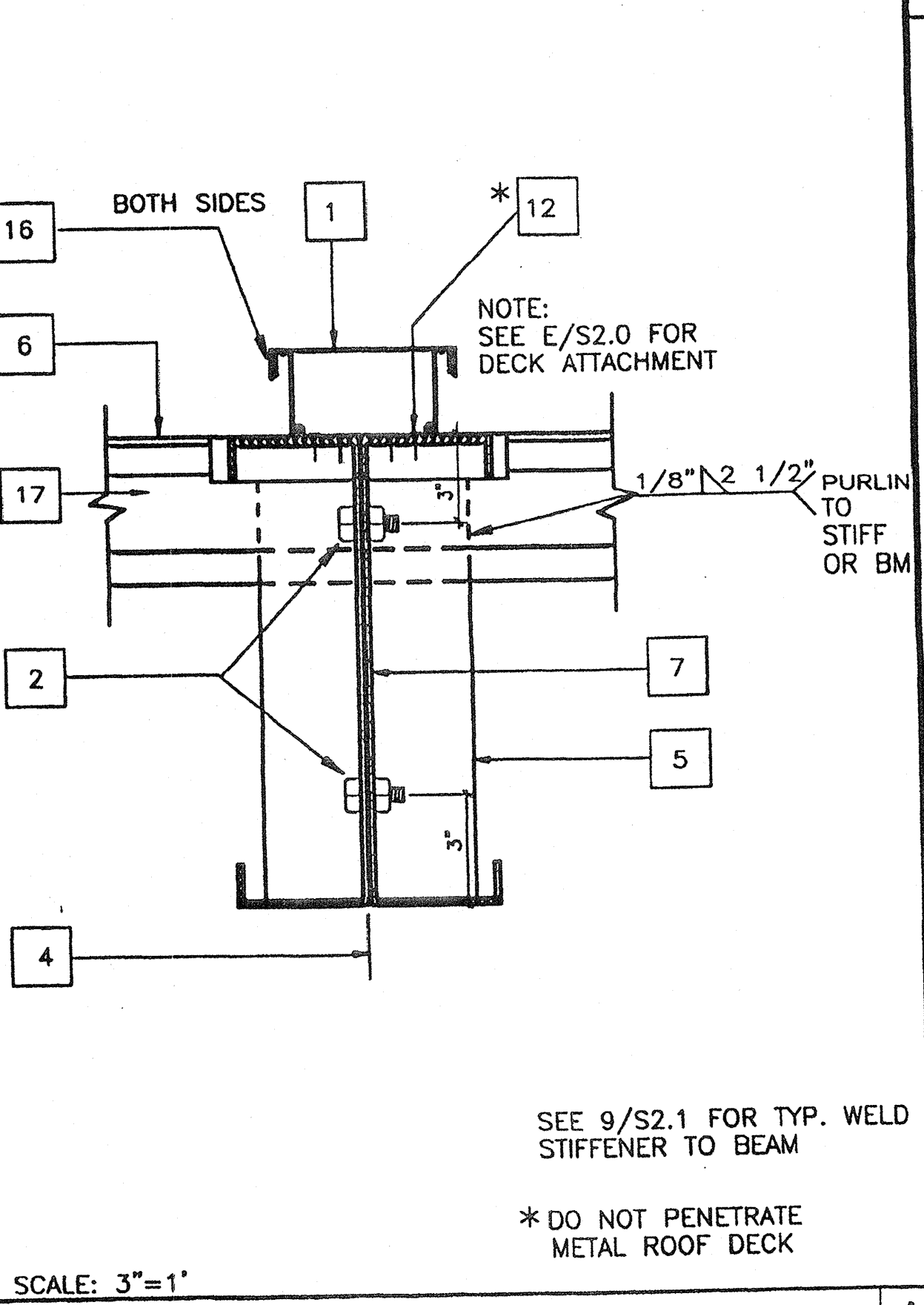
MECH. DUCT OPENING IN ROOF BM. 8



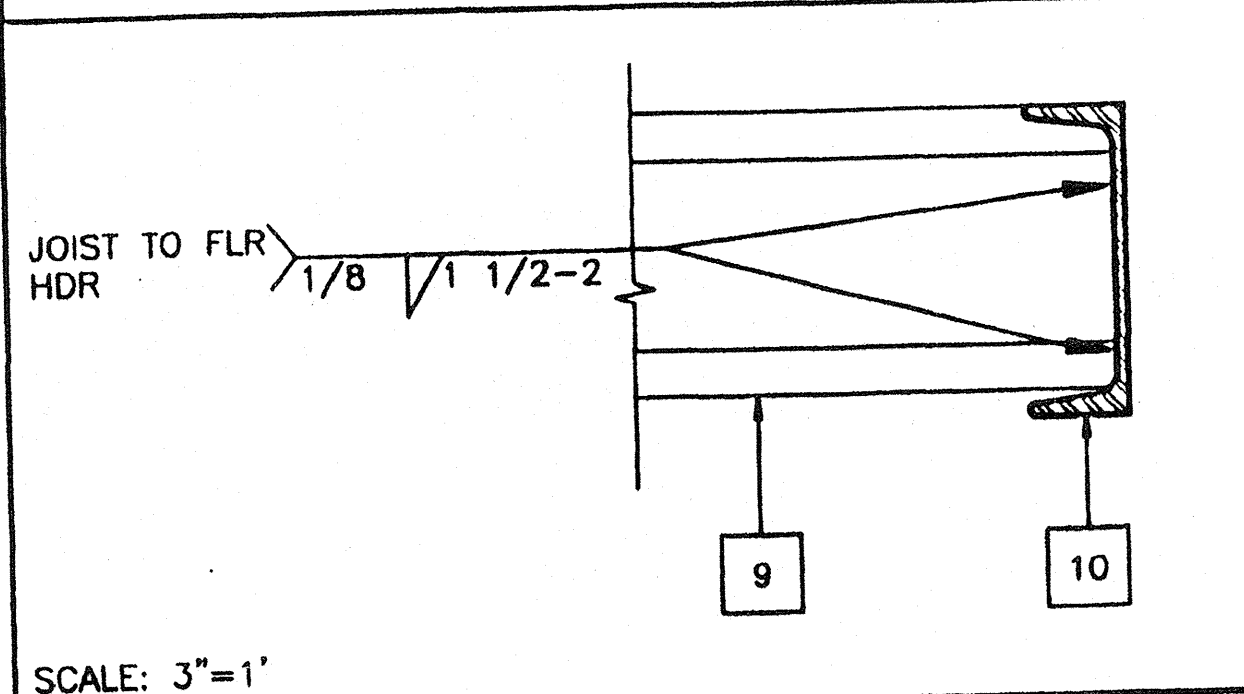
MECH. DUCT OPENING IN HEADER 4



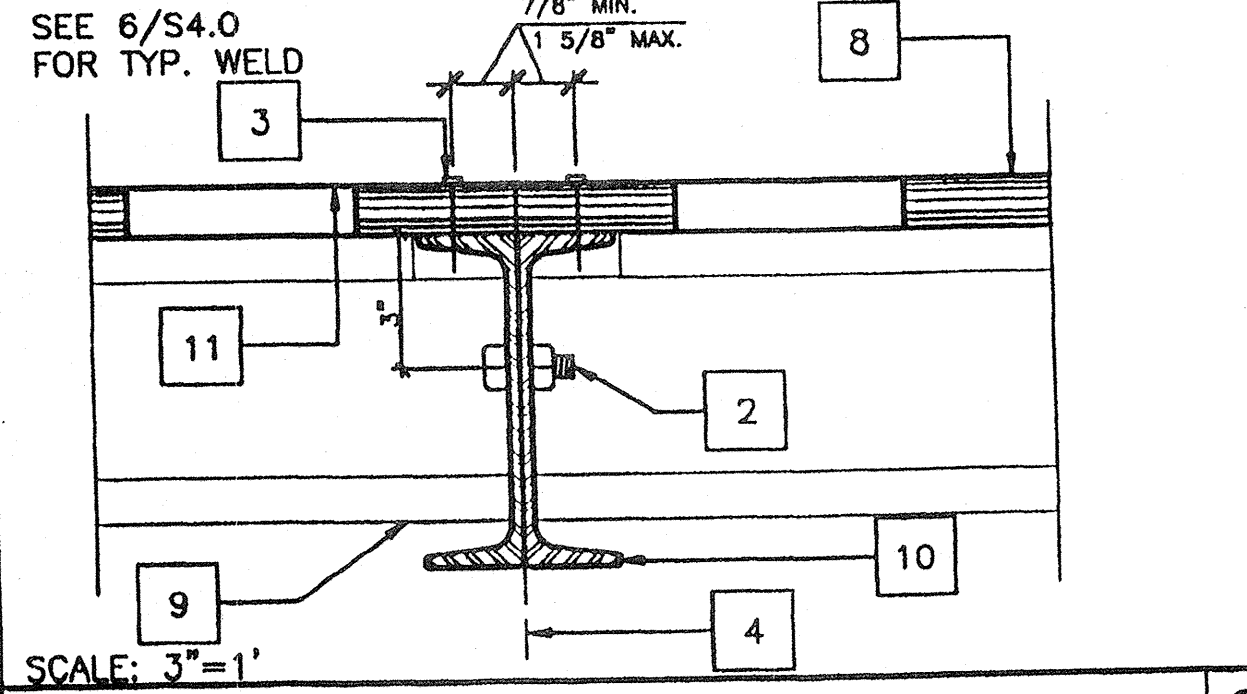
ROOF PAN (22GA.) 5



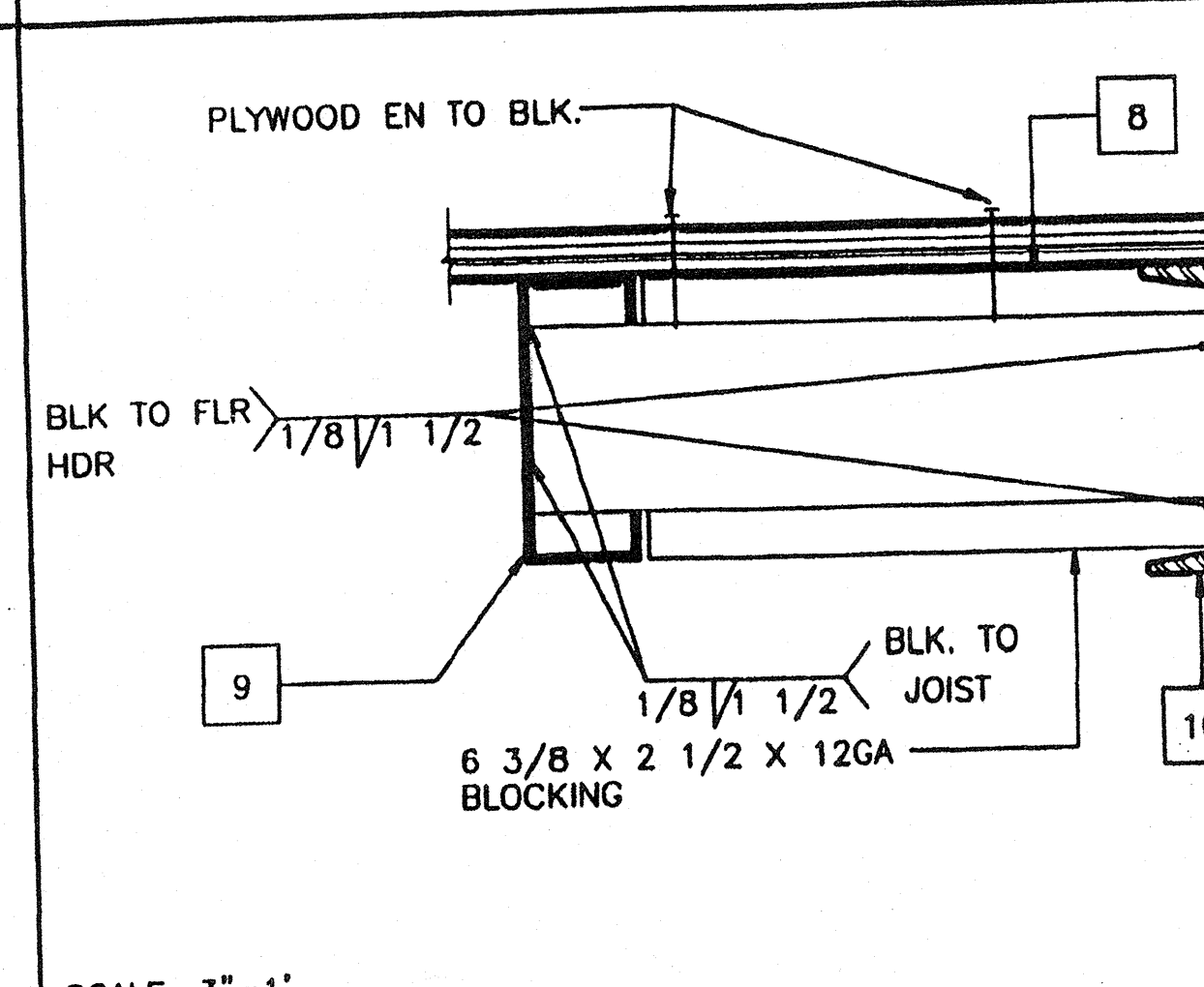
ROOFING @ MODLINE 1



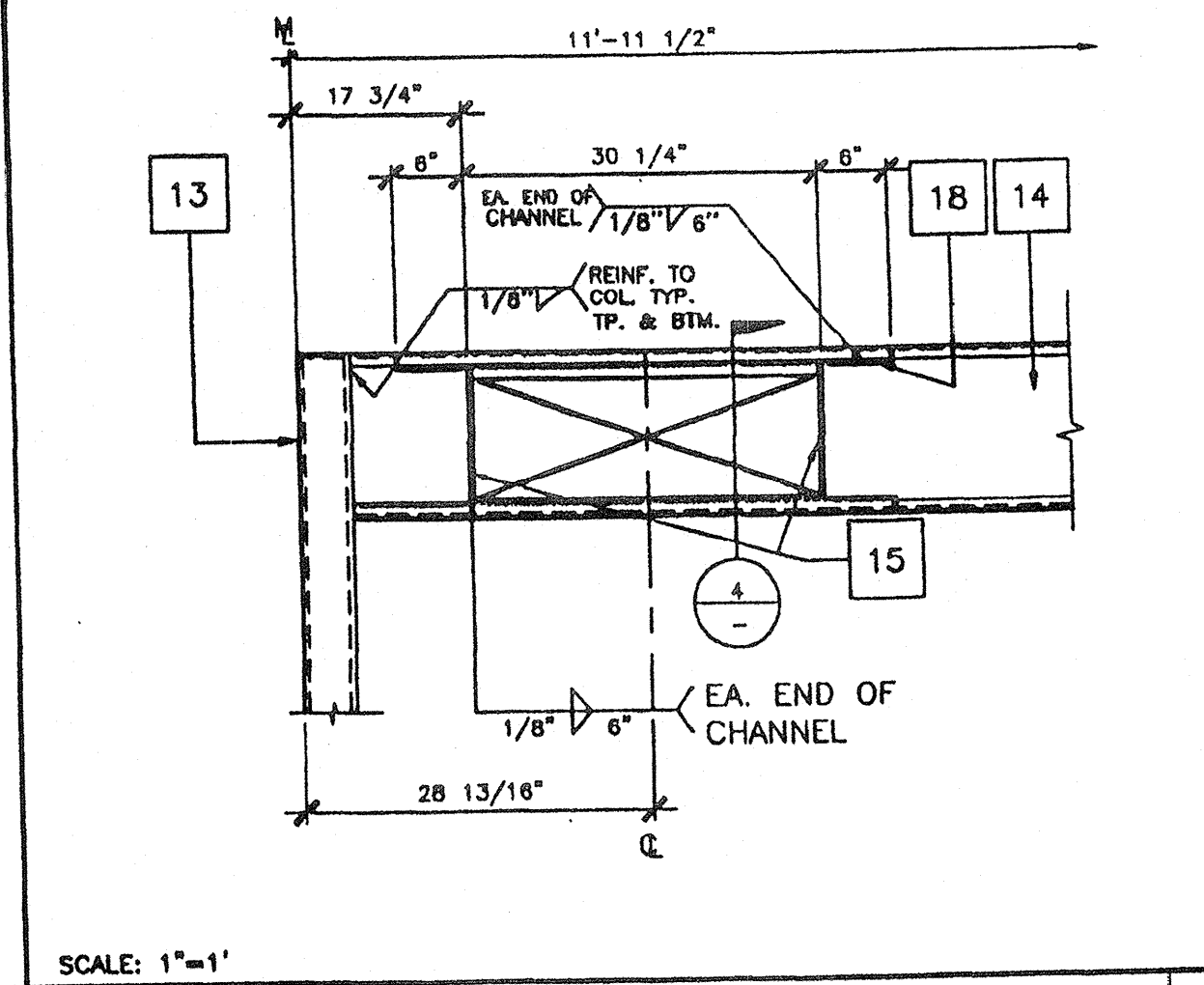
FLOOR FRAME/JOIST TO BEAM 6



MODULE JOINT AT FLR. 12'-0" 2



BLOCK AT MIDSPAN 10



ELEVATION-OPENING 3

- KEY NOTES**
- CAP CLOSURE AT RIDGE 26GA. GALV. W//10 TYPE FASTENERS W/NEOPRENE WASHERS TO RIB BOTH SIDES OF MODLINE. SET CAP IN SLANT. BOTH SIDES.
 - 5/8" M.B. A307 MODULE JOINT (SEE STRUCTURAL PLAN FOR LOCATION) AT 8" O.C.
 - E.N.
 - MODULE JOINT
 - 14" THK X 3" FULL DEPTH STIFFENER PLATE AT RIDGE ONLY (SEE 9/S2.1)
 - STANDING ROOF SEAM (SEE A2.0)
 - ROOF BEAM SEE 1/S2.1 & 7/S2.1
 - PLYWOOD FLOOR SHEATHING
 - FLOOR JOIST SEE 6/S2.1
 - FLOOR BEAM SEE 5/S2.1
 - HAND HOLE AT BOLT LOCATION
 - #14 STSMS.
 - 3 1/2"x3 1/2"x1/4" STEEL TUBE COLUMN. SEE 12/S2.1
 - ROOF HEADER SEE 3/S2.1
 - 1/4" STIFFENER PLATE SEE 9/S2.1 FOR TYP. WELD
 - SEALANT
 - ROOF PURLIN SEE 2/S2.1
 - 3 1/4" X 1" X 45 11/16" LG X 10GA CHANNEL TOP AND BOTTOM OF OPENING

CBC 1993
PC

IDENTIFICATION STAMP
DIV. OF THE STATE ARCHITECT
OFFICE OF REGULATION SERVICES
04 101984
AC FLS SS
DATE MAR 09 2000

IDENTIFICATION STAMP
DIV. OF THE STATE ARCHITECT
APPROX 118000
AC FLS SS JB
DATE 7/24/14

REVISIONS	Electrical Engineer's Seal	Mechanical Engineer's Seal	Structural Engineer's Seal	Architect's Seal

IDENTIFICATION STAMP
DIV. OF THE STATE ARCHITECT
OFFICE OF REGULATION SERVICES
PC-04
101419
AC FLS SS
DATE OCT 25 1000

MODTECH INC.
2830 BARRETT AVENUE
PERRIS, CALIF. 92572
PH (909) 943-4014
FAX (909) 940-0427

PROJECT NUMBER: _____
© MODTECH, INC. 1999

DRAWN BY: _____
CHECKED BY: SS
DATE: 10/22/99

MODTECH Index No. _____

STRUCTURAL DETAILS

S1.2

PC-04-101419 PROJECT NO.